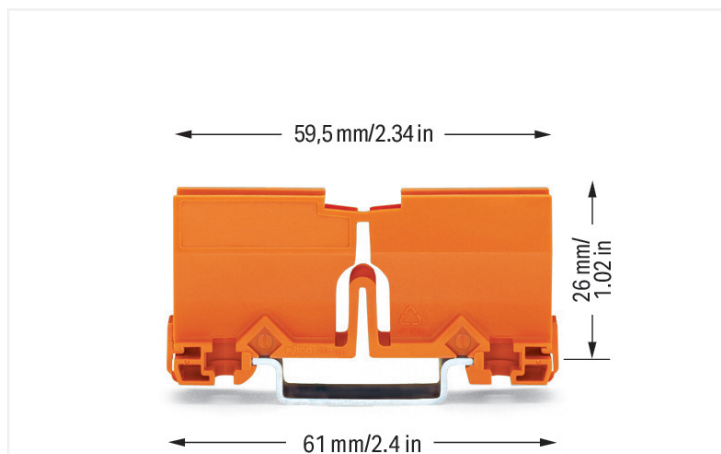


Data Sheet | Item Number: 773-332

Mounting carrier; 773 Series - 2.5 mm² / 4 mm² / 6 mm²; for DIN-35 rail mounting/
screw mounting; orange

<https://www.wago.com/773-332>



Color: ■ orange

Physical data

Width	18 mm / 0.709 inches
Height	61 mm / 2.402 inches
Depth from upper-edge of DIN-rail	26 mm / 1.024 inches

Mechanical Data

Mounting type	DIN-35 rail Screw mount
Suitable	for all PUSH WIRE® junction box connectors (773 Series)

Material Data

Note (material data)	Information on material specifications can be found here
Color	orange
Material group	I
Insulation material	Polyamide (PA66)
Flammability class per UL94	V0
Fire load	0.255 MJ
Weight	8.5 g

Environmental requirements

Continuous operating temperature	105 °C
----------------------------------	--------

Commercial data

Product Group	7 (Push Wire Conn.)
eCl@ss 10.0	27-14-11-92
eCl@ss 9.0	27-14-11-92
ETIM 8.0	EC002848
ETIM 7.0	EC002848
PU (SPU)	50 (10) pcs
Packaging type	Box
Country of origin	DE
GTIN	4044918526524
Customs tariff number	39269097900

Downloads

Environmental Product Compliance

Compliance Search

Environmental Product Compliance 773-332



Documentation

Bid Text

773-332	19.02.2019	xml 2.55 KB	
773-332	17.05.2017	doc 23.50 KB	
ausschreiben.de 773-332			

CAD/CAE-Data

CAD data

2D/3D Models 773-332



CAE data

EPLAN Data Portal
773-332



WSCAD Universe
773-332

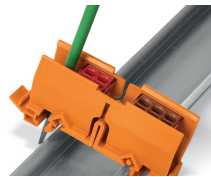
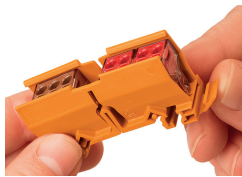
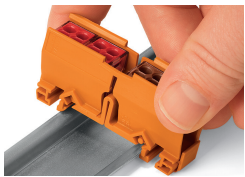


ZUKEN Portal 773-332



Installation Notes

Installation



Application

