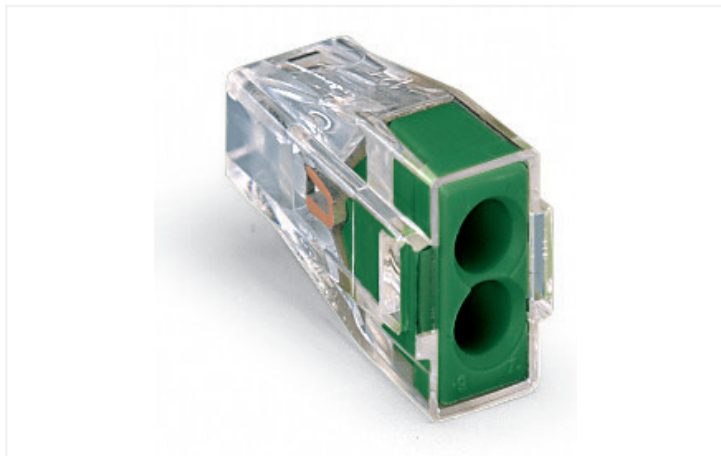


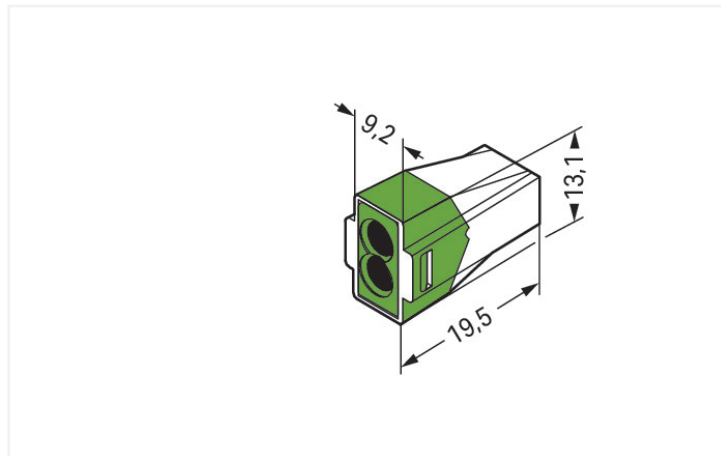
## Data Sheet | Item Number: 773-112

PUSH WIRE® connector for junction boxes; for solid and stranded conductors; max. 2.5 mm<sup>2</sup>; 2-conductor; transparent housing; green cover; Surrounding air temperature: max 60°C; 2,50 mm<sup>2</sup>; multicoloured

<https://www.wago.com/773-112>



Color:  multicoloured



Dimensions in mm

### Notes

Safety information 1

in grounded power lines

### Electrical data

#### Ratings per IEC/EN

Ratings per	IEC/EN 60664-1
Nominal voltage (II/2)	400 V
Rated surge voltage (II/2)	4 kV
Rated current	24 A
Legend (ratings)	(II / 2) ≙ Overvoltage category II / Pollution degree 2

### Connection data

Connection points	2
Total number of potentials	1

#### Connection 1

Connection technology	PUSH WIRE®
Actuation type	Push-in
Connectable conductor materials	Copper Aluminum

## Connection 1

Connectable conductor materials (note)

### Terminating Aluminum Conductors

WAGO spring clamp terminal blocks are suitable for solid aluminum conductors up to 4 mm<sup>2</sup>/12 AWG if WAGO "Alu-Plus" Contact Paste [249-130](#) is used for termination.

"Alu-Plus" Contact Paste Advantages:

- Automatically destroys the oxide film during clamping.
- Prevents fresh oxidation at the clamping point.
- Prevents electrolytic corrosion between aluminum and copper conductors (in the same terminal block).
- Provides long-term protection against corrosion.

For spring clamp connections with PUSH WIRE® connection technology, **WAGO recommends that the aluminum conductor first be cleaned** and then immediately inserted into the clamping unit filled with "Alu-Plus" contact paste.

It is also possible to apply WAGO "Alu-Plus" **additionally** on the whole surface of the aluminum conductor before termination.

Please note that the nominal currents must be adapted to the reduced conductivity of the aluminum conductors::

2.5 mm<sup>2</sup> = 16 A

4 mm<sup>2</sup> = 22 A

Solid conductor	0.75 ... 2.5 mm <sup>2</sup> / 18 ... 12 AWG
-----------------	--

Wiring direction	Side-entry wiring
------------------	-------------------

## Material Data

Note (material data)

[Information on material specifications can be found here](#)

Color	multicoloured
-------	---------------

Cover color	green
-------------	-------

Flammability class per UL94	V2
-----------------------------	----

Fire load	0.037 MJ
-----------	----------

Weight	1.8 g
--------	-------

## Commercial data

Product Group	7 (Push Wire Conn.)
---------------	---------------------

eCl@ss 10.0	27-14-11-04
-------------	-------------

eCl@ss 9.0	27-14-11-04
------------	-------------

ETIM 8.0	EC000446
----------	----------

ETIM 7.0	EC000446
----------	----------

PU (SPU)	1000 (100) pcs
----------	----------------

Packaging type	Box
----------------	-----

Country of origin	CN
-------------------	----

GTIN	4044918397773
------	---------------

Customs tariff number	85369010000
-----------------------	-------------

## Approvals / Certificates

### General approvals



Approval	Standard	Certificate Name
CCA UL International Demko A/S	EN 60998	CCA-DK No. 2520
CSA DEKRA Certification B.V.	C22.2	15411 (LR46759)
UL UL International Germany GmbH	UL 467	E201573
UL UL International Germany GmbH	EN 60998	D-03479-A1

### Approvals for marine applications



Approval	Standard	Certificate Name
ABS American Bureau of Shipping	-	18-HG1755093-PDA
BV Bureau Veritas S.A.	EN 60998	11914/D0 BV
DNV GL Det Norske Veritas, Germanischer Lloyd	EN 60998	TAE000015T
LR Lloyds Register	EN 60998	LR22207029TA

## Downloads

### Environmental Product Compliance

#### Compliance Search

Environmental Product Compliance 773-112



## Documentation

### Additional Information

Technical Section

pdf  
2142.18 KB



## CAD/CAE-Data

### CAE data

EPLAN Data Portal  
773-112



WSCAD Universe  
773-112

