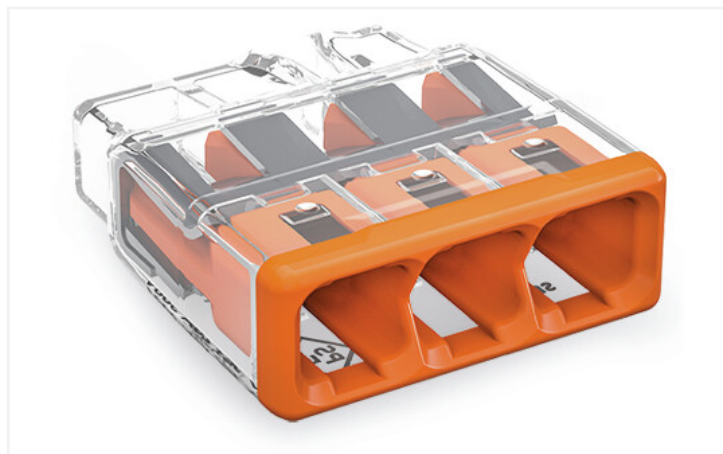


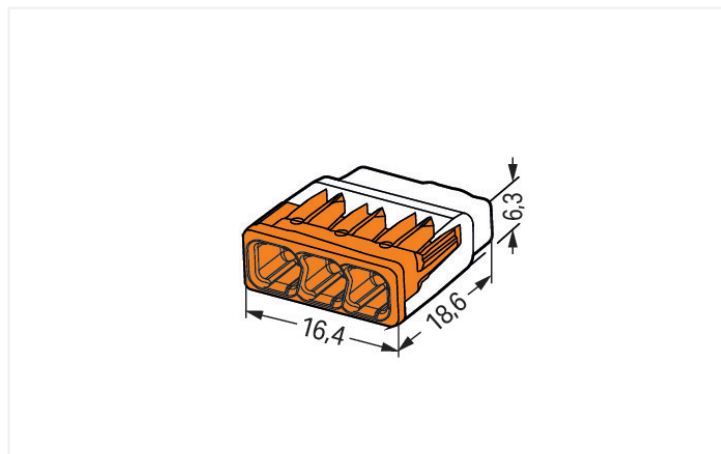
Data Sheet | Item Number: 2773-403

COMPACT splicing connector; for solid and stranded conductors; max. 4 mm²; 3-conductor; transparent housing; orange cover; Surrounding air temperature: max 85°C (T85); 4,00 mm²; transparent

<https://www.wago.com/2773-403>



Color: transparent



Dimensions in mm

Advantages:

- Convenient wiring via extremely compact design
- Push-in termination of up to eight solid and stranded conductors
- Conductor range: 0.75 ... 4 mm² "s" and 1.5 ... 4 mm² "st"
- Any combination of conductor sizes is possible
- PUSH WIRE® connection terminates solid ("s+str") copper conductors

Electrical data

Ratings per IEC/EN

Ratings per	IEC/EN 60998
Nominal voltage (II/2)	450 V
Rated surge voltage (II/2)	4 kV
Rated current	32 A
Legend (ratings)	(II / 2) ≙ Overvoltage category II / Pollution degree 2

Ratings per UL 1059

Approvals per	UL 486C
Rated voltage (UL)	600 V
Rated current (UL)	20 A

Connection data

Connection points	3
Total number of potentials	1

Connection 1

Connection technology	PUSH WIRE®
Actuation type	Push-in
Connectable conductor materials	Copper
Solid conductor	0.75 ... 4 mm ² / 20 ... 12 AWG
Conductor diameter	1.6 ... 2 mm / 20 ... 12 AWG
Wiring direction	Side-entry wiring

Material Data

Note (material data)	Information on material specifications can be found here
Color	transparent
Cover color	orange
Material group	IIIa
Insulation material	Polycarbonate (PC)
Flammability class per UL94	V2
Fire load	0.007 MJ
Weight	1.6 g

Environmental requirements

Temperature marking per EN 60998	T85
----------------------------------	-----

Commercial data

PU (SPU)	1000 (100) pcs
Packaging type	Box
Country of origin	DE
GTIN	4055143927550
Customs tariff number	85369010000

Approvals / Certificates

General approvals



Approval	Standard	Certificate Name
CB DEKRA Certification B.V.	IEC 60998	NL-49187
KEMA/KEUR DEKRA Certification B.V.	EN 60669	71-101844
UL_Listed_667F Underwriters Laboratories Inc.	UL 486C	E69654
UL Underwriters Laboratories Inc.	UL 467	20180215-E201573

Downloads

Environmental Product Compliance

Compliance Search

Environmental Product
Compliance 2773-403



Documentation

Additional Information

Technical Section

pdf
2142.18 KB



CAD/CAE-Data

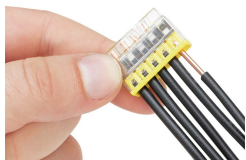
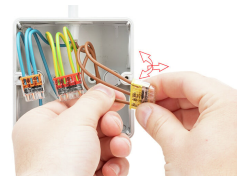
CAD data

2D/3D Models
2773-403



Installation Notes

Conductor termination



Testing



Application

