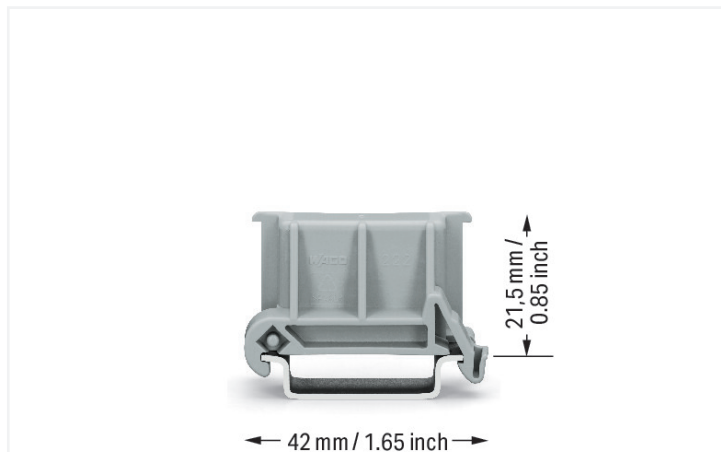



Data Sheet | Item Number: 222-510

Angled DIN-rail adapter; in combination with mounting carrier; 221-500 or 222-500;
for DIN-35 rail mounting; gray

<https://www.wago.com/222-510>



Color:  gray

Physical data

Width 18.5 mm / 0.728 inches

Mechanical Data

Mounting type DIN-35 rail
Suitable in combination with a mounting carrier (221-500 or 222-500)

Material Data

Note (material data) [Information on material specifications can be found here](#)
Color gray
Fire load 0.117 MJ
Weight 4.4 g

Commercial data

Product Group 7 (Push Wire Conn.)
eCl@ss 10.0 27-14-11-92
eCl@ss 9.0 27-14-11-92
ETIM 8.0 EC002848
ETIM 7.0 EC002848
PU (SPU) 50 (10) pcs
Packaging type Box
Country of origin CN
GTIN 4045454714802
Customs tariff number 39269097900

Downloads

Environmental Product Compliance

Compliance Search

Environmental Product
Compliance 222-510



Documentation

Bid Text

222-510	19.02.2019	xml 2.75 KB	
222-510	19.05.2017	doc 23.50 KB	

CAD/CAE-Data

CAD data

2D/3D Models 222-510



CAE data

EPLAN Data Portal
222-510



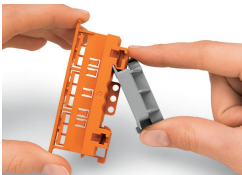
WSCAD Universe
222-510



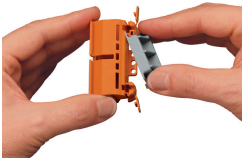
ZUKEN Portal 222-510



Installation Notes



Snapping the angled DIN-rail adapter
(222-510) onto the mounting carrier.



Snapping the angled DIN-rail adapter
(222-510) onto the mounting carrier.