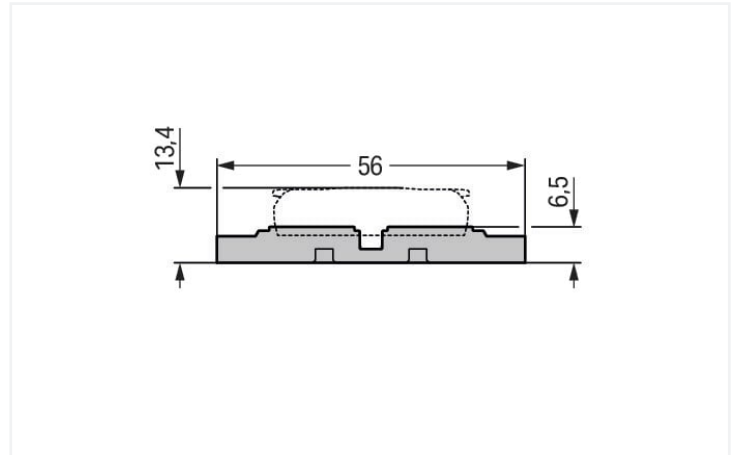
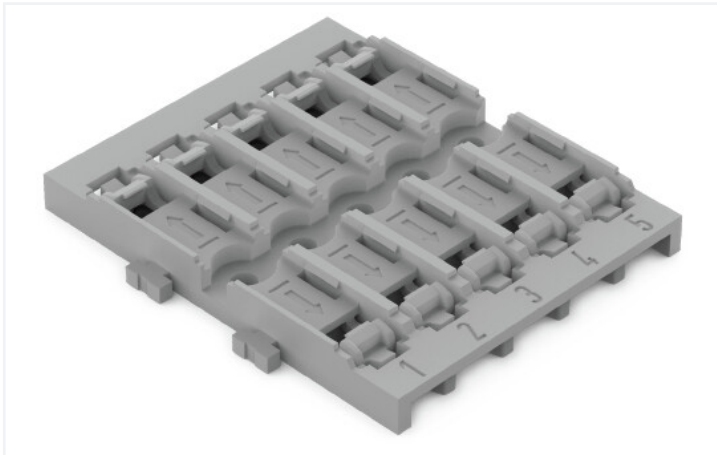


Data Sheet | Item Number: 221-2525

Mounting carrier; 5-way; for inline splicing connector with lever; for screw mounting;
gray

<https://www.wago.com/221-2525>



Color: gray

Physical data

| | |
|-------------------------|------------------------|
| Width | 47.8 mm / 1.882 inches |
| Height from the surface | 6.5 mm / 0.256 inches |
| Depth | 56 mm / 2.205 inches |

Material Data

Note (material data)

[Information on material specifications can be found here](#)

| | |
|-----------|----------|
| Color | gray |
| Fire load | 0.219 MJ |
| Weight | 7.3 g |

Commercial data

| | |
|-----------------------|---------------|
| ETIM 8.0 | EC002848 |
| ETIM 7.0 | EC002848 |
| PU (SPU) | 25 (5) pcs |
| Packaging type | Box |
| Country of origin | CN |
| GTIN | 4066966119961 |
| Customs tariff number | 39269097900 |

Downloads

Environmental Product Compliance

Compliance Search

Environmental Product
Compliance 221-2525



Documentation

Additional Information

Technical Section

pdf
2142.18 KB



CAD/CAE-Data

CAD data

2D/3D Models
221-2525



CAE data

EPLAN Data Portal
221-2525

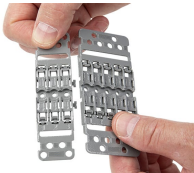
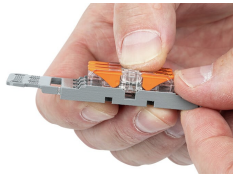


ZUKEN Portal
221-2525



Installation Notes

Installation



Strain relief

