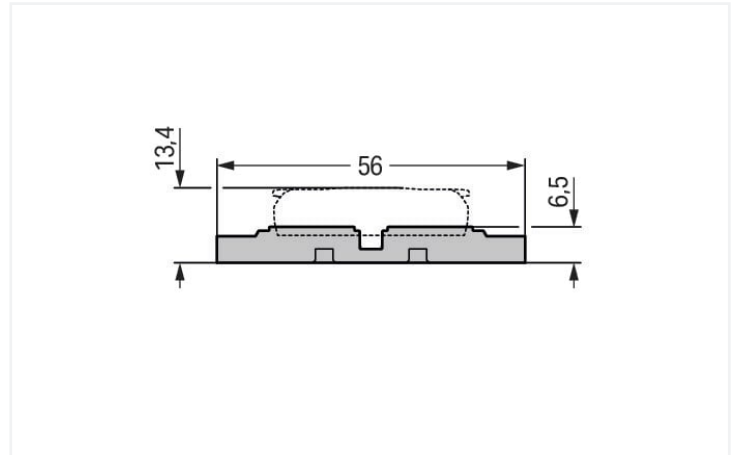
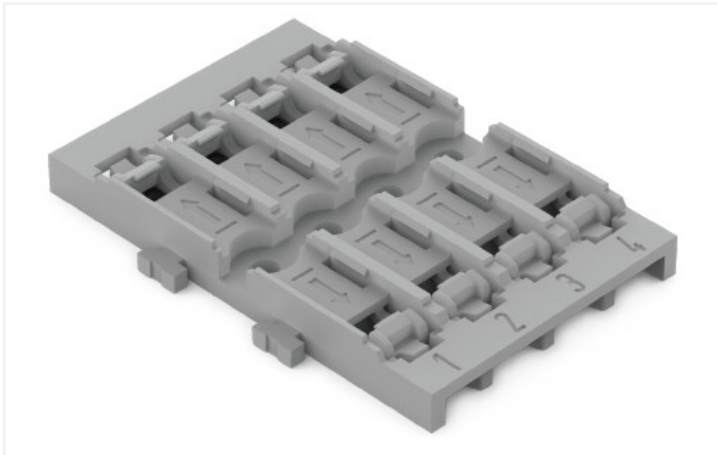



Data Sheet | Item Number: 221-2524

Mounting carrier; 4-way; for inline splicing connector with lever; for screw mounting;
gray

<https://www.wago.com/221-2524>



Color:  gray

Physical data

Width	38.8 mm / 1.528 inches
Height from the surface	6.5 mm / 0.256 inches
Depth	56 mm / 2.205 inches

Material Data

Note (material data)	Information on material specifications can be found here
Color	gray
Fire load	0.186 MJ
Weight	6.2 g

Commercial data

ETIM 8.0	EC002848
ETIM 7.0	EC002848
PU (SPU)	25 (5) pcs
Packaging type	Box
Country of origin	CN
GTIN	4066966119954
Customs tariff number	39269097900

Downloads

Environmental Product Compliance

Compliance Search

Environmental Product Compliance 221-2524



Documentation

Additional Information

Technical Section

pdf
2142.18 KB



CAD/CAE-Data

CAD data

2D/3D Models
221-2524



CAE data

EPLAN Data Portal
221-2524

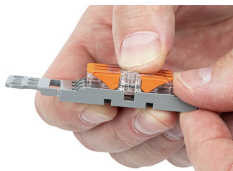
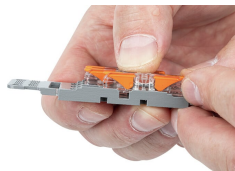


ZUKEN Portal
221-2524



Installation Notes

Installation



Strain relief

