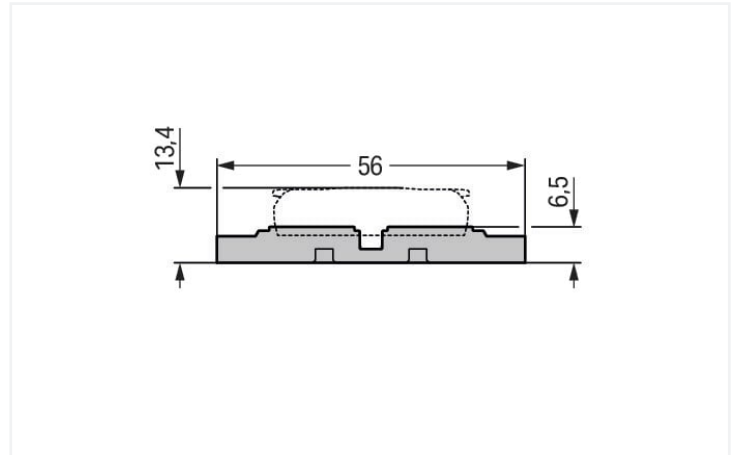
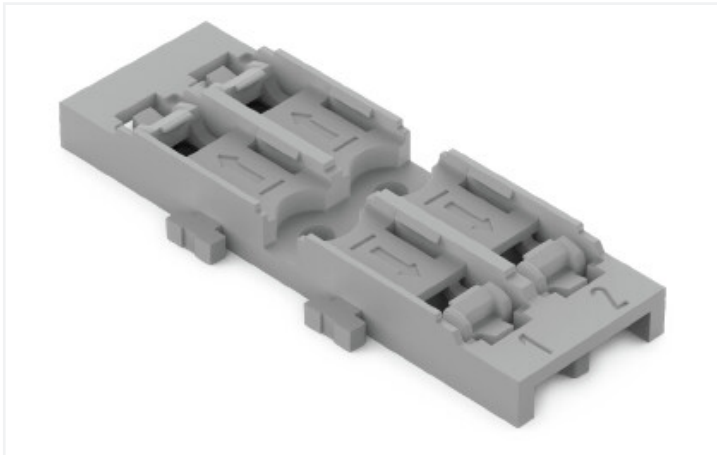



Data Sheet | Item Number: 221-2522

Mounting carrier; 2-way; for inline splicing connector with lever; for screw mounting;
gray

<https://www.wago.com/221-2522>



Color:  gray

Physical data

Width	20.8 mm / 0.819 inches
Height from the surface	6.5 mm / 0.256 inches
Depth	56 mm / 2.205 inches

Material Data

Note (material data)

[Information on material specifications can be found here](#)

Color	gray
Fire load	0 MJ
Weight	3 g

Commercial data

ETIM 8.0	EC002848
ETIM 7.0	EC002848
PU (SPU)	25 (5) pcs
Packaging type	Box
Country of origin	CN
GTIN	4066966119930
Customs tariff number	39269097900

Downloads

Environmental Product Compliance

Compliance Search

Environmental Product Compliance 221-2522



Documentation

Additional Information

Technical Section

pdf
2142.18 KB



CAD/CAE-Data

CAD data

2D/3D Models
221-2522



CAE data

EPLAN Data Portal
221-2522

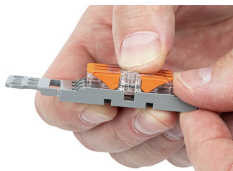
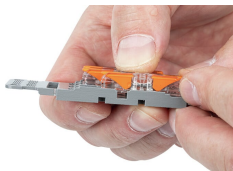


ZUKEN Portal
221-2522



Installation Notes

Installation



Strain relief

