

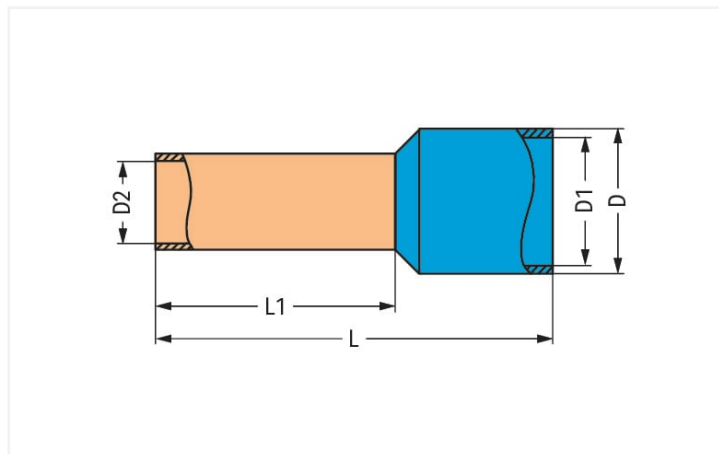
Data Sheet | Item Number: 216-208

Ferrule; Sleeve for 6 mm² / AWG 10; insulated; electro-tin plated; electrolytic copper; gastight crimped; acc. to DIN 46228, Part 4/09.90; yellow

<https://www.wago.com/216-208>



Color: ■ yellow



Dimensions in mm

Technical data

Main product function	Ferrule
Sleeve cross-section (AWG)	10 AWG
Sleeve for	6 mm ²

Connection data

Strip length	14 mm / 0.55 inches
--------------	---------------------

Physical data

Length	20 mm
Length 1	12 mm
Diameter	6.9 mm
Diameter 1	6.3 mm
Diameter 2	3.5 mm

Mechanical Data

Suitable	2006 Series
----------	-------------

Material Data

Color	yellow
Fire load	0.004 MJ
Weight	0.4 g

Commercial data	
Product Group	2 (Terminal Block Accessories)
eCl@ss 10.0	27-40-02-01
eCl@ss 9.0	27-40-02-01
ETIM 8.0	EC000005
ETIM 7.0	EC000005
PU (SPU)	1000 (100) pcs
Packaging type	Box
Country of origin	DE
GTIN	4017332277532
Customs tariff number	85369010000

Downloads

Environmental Product Compliance

Compliance Search	
Environmental Product Compliance 216-208	↓

Documentation

Bid Text			
216-208	19.02.2019	xml 2.80 KB	↓
216-208	11.09.2017	doc 24.50 KB	↓

Installation Notes

