

Data Sheet | Item Number: 216-206

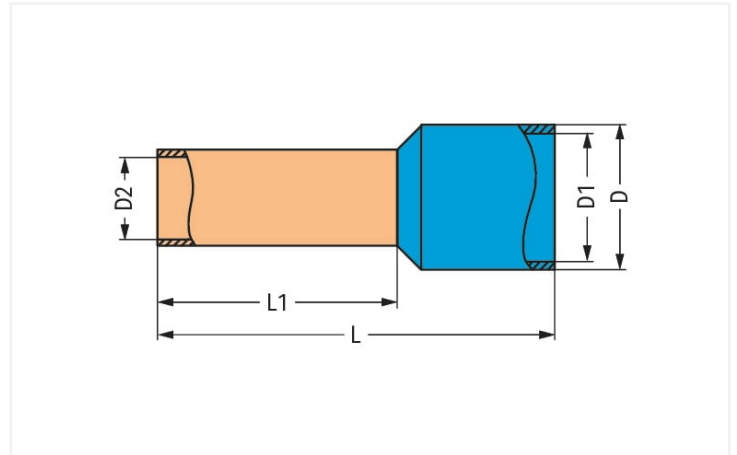
Ferrule; Sleeve for 2.5 mm² / AWG 14; insulated; electro-tin plated; blue



<https://www.wago.com/216-206>



Color: ■ blue



Dimensions in mm

Technical data

Main product function	Ferrule
Sleeve cross-section (AWG)	14 AWG
Sleeve for	2.5 mm ²

Connection data

Strip length	10 mm / 0.39 inches
--------------	---------------------

Physical data

Length	15 mm
Length 1	8 mm
Diameter	4.7 mm
Diameter 1	4.2 mm
Diameter 2	2.2 mm

Material Data

Color	blue
Fire load	0.002 MJ
Weight	0.2 g

Commercial data

Product Group	2 (Terminal Block Accessories)
eCl@ss 10.0	27-40-02-01
eCl@ss 9.0	27-40-02-01
ETIM 8.0	EC000005
ETIM 7.0	EC000005
PU (SPU)	1000 (100) pcs
Packaging type	Box
Country of origin	DE
GTIN	4017332277518
Customs tariff number	85369010000

Downloads

Environmental Product Compliance

Compliance Search

Environmental Product Compliance 216-206



Documentation

Bid Text

216-206	19.02.2019	xml 2.80 KB	
216-206	11.09.2017	doc 24.50 KB	

Installation Notes

