

Data Sheet | Item Number: 216-204

Ferrule; Sleeve for 1.5 mm² / AWG 16; insulated; electro-tin plated; black

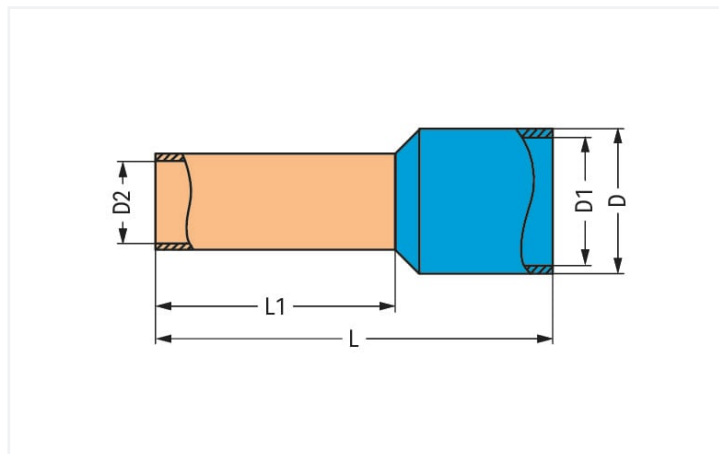


<https://www.wago.com/216-204>



Color: ■ black

Similar to illustration



Dimensions in mm

Technical data

Main product function	Ferrule
Sleeve cross-section (AWG)	16 AWG
Sleeve for	1.5 mm ²

Connection data

Strip length	10 mm / 0.39 inches
--------------	---------------------

Physical data

Length	14 mm
Length 1	8 mm
Diameter	4 mm
Diameter 1	3.5 mm
Diameter 2	1.7 mm

Material Data

Color	black
Fire load	0.002 MJ
Weight	0.1 g

Commercial data

Product Group	2 (Terminal Block Accessories)
eCl@ss 10.0	27-40-02-01
eCl@ss 9.0	27-40-02-01
ETIM 8.0	EC000005
ETIM 7.0	EC000005
PU (SPU)	1000 pcs
Packaging type	Box
Country of origin	DE
GTIN	4017332277495
Customs tariff number	85369010000

Downloads

Environmental Product Compliance

Compliance Search

Environmental Product
Compliance 216-204



Documentation

Bid Text

216-204	19.02.2019	xml 2.80 KB	
216-204	11.09.2017	doc 23.50 KB	

Installation Notes

