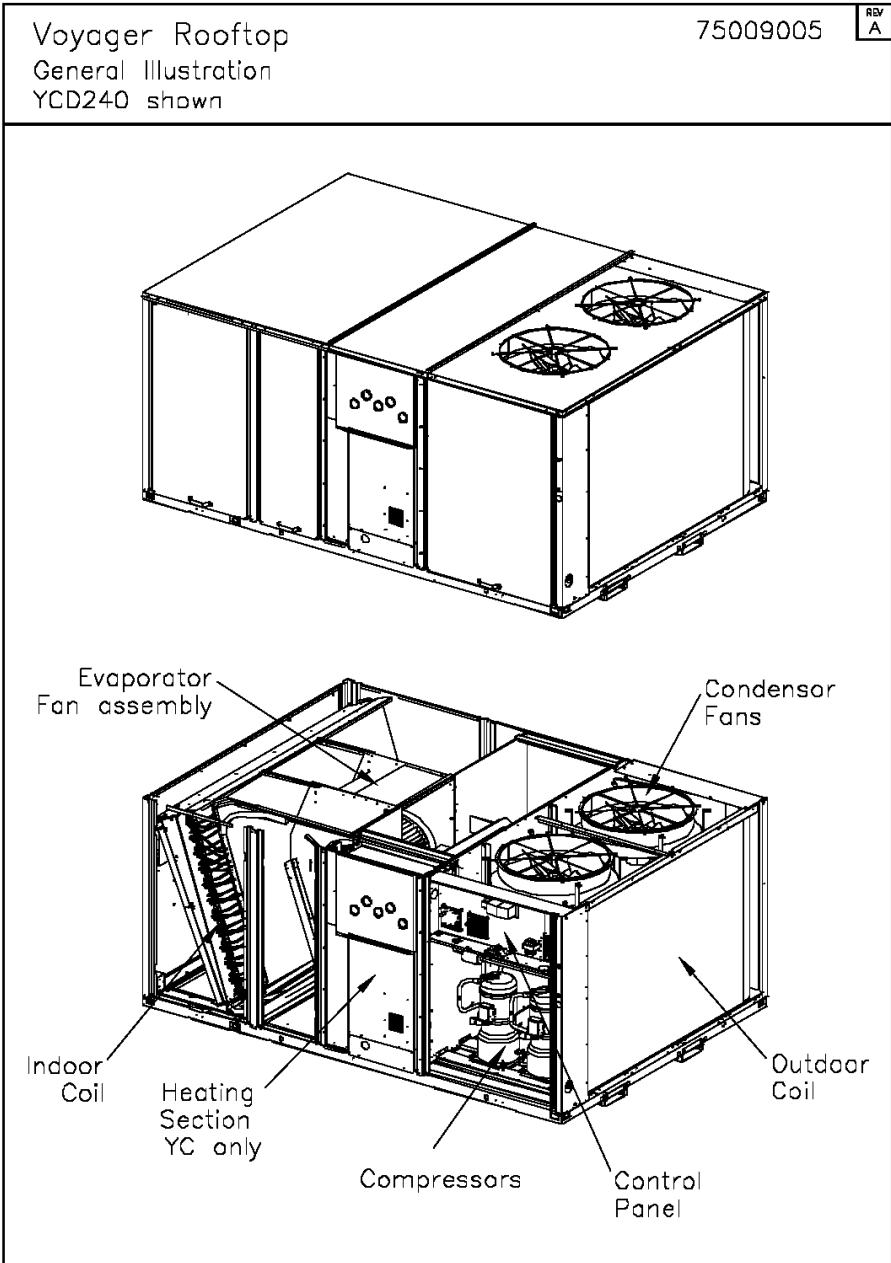


Part No.	Reference No.	Quantity	Description
75009901	SEC 01		MODEL NUMBER DESCRIPTION DIGIT 1-17
75009902	SEC 01		MODEL NUMBER DESCRIPTION DIGIT 18-31
75009005	SEC 02		GENERAL ILLUSTRATION
75010913	SEC 03		COMPRESSOR MOUNTING HARDWARE
75011760	SEC 03		COMPRESSOR POWER HARNESSSES
75009944	SEC 03		REFRIGERATION CIRCUIT CONTROLS
75009909	SEC 04		FILTERS AND DRAIN PANS
75009911	SEC 10		OUTDOOR CONDENSOR COIL AND HOT GAS VALVE, HEAT PUMP
75009947	SEC 16		INDOOR EVAP COIL, HEAT PUMP
75009958	SEC 25		UNIT SENSING
75012744	SEC 41		AIR FLOW PANELS
75012749	SEC 43		COMM PANELS
75012144	SEC 45		OPTIONAL FIELD INSTALLED ACCESSORIES

Model Number Description	75009902	REV E
Voyager 2 Digits 18-31		
Digit 18 Through The Base Provisions 0= No through the base provisions A= Through the base electric B= Through the base gas C= Through the base electric and gas D= Through the base access	Digit 25 System Monitoring Controls 0= No monitoring controls 1= Clogged filter switch 2= Fan failure switch 3= Discharge air sensing 4= Clogged filter switch and fan failure 5= Clogged switch and discharge air sensing 6= Fan failure switch and discharge air sensing 7= Clogged filter switch, fan failure switch and discharge air sensing 8= NOVAR Return Air Sensor (Novar 2024) 9= NOVAR Zone Temp Sensor (Novar 3051)	
Digit 19 Disconnect Switch/ Circuit Breaker 0= No Disconnect, circuit break, phase monitor 1= Unit Mount Non-Fused and Disconnect Switch 2= Unit Mount Circuit Breaker 3= Phase Monitor 4= Phase Monitor and Disconnect 5= Phase Monitor and Circuit Breaker	A= Condensate Overflow Switch B= Condensate Overflow Switch and Clogged filter switch C= Condensate Overflow Switch and Fan Fail D= Condensate Overflow Switch and Discharge Air E= Condensate Overflow Switch and Clogged filter switch, Fan Fail F= Condensate Overflow Switch and Clogged filter switch, Discharge Air G= Condensate Overflow Switch and Fan Fail, Discharge Air H= Condensate Overflow Switch, Clogged Filter, Fan Fail, Discharge Air	
Digit 20 Convenience Outlet Option 0= Without Convenience Outlet A= Convenience Outlet Unpowered (FIELD) B= Convenience Outlet Powered (FACTORY)	Digit 26 System Monitoring Controls 0= No monitoring controls A= Demand Control Ventilation B= Fault Detection Device C= Demand Control Ventilation and Fault Detection Device	
Digit 21 Communications Options 0= Without Communications Options 1= Trane Communications Interface 2= Lontalk Communications Interface 3= Novar 2024 Controls Interface 4= Novar 3051 Controls Interface 5= Novar 3051 Communications Interface with Demand Control Ventilation 6= Building Automation Control Network Communications Interface 7= Wireless Building Automation Control Network Communications Interface	Digit 27 Stainless Steel Drain pan 0= No stainless Drain pan 1= Stainless Steel Drain pan	
Digit 22 Refrigeration System Option 0= Standard refrigeration system A= Thermal Expansion Valve (TXV) B= Dehumidification (hot gas reheat)	Digit 28 Short Circuit Current Rating (SCCR) 0= Standard A= 65kA	
Digit 23 Refrigeration Controls 0= Without Refrigeration Controls 1= Frostat 2= Crankcase Heater 3= Frostat and Crankcase Heater 4= High Pressure Control 5= High Pressure Control and Frostat 6= High Pressure and Crankcase Heater 7= High Pressure, Crankcase Heater, Frostat	Digit 29,30 Reserved For Future 0= Standard	
Digit 24 Smoke Detector 0= Without Smoke Detector A= Return Air Smoke Detector B= Supply Air Smoke Detector C= Return/Supply Air Smoke Detector	Digit 31 Unit Controls 0= Standard	

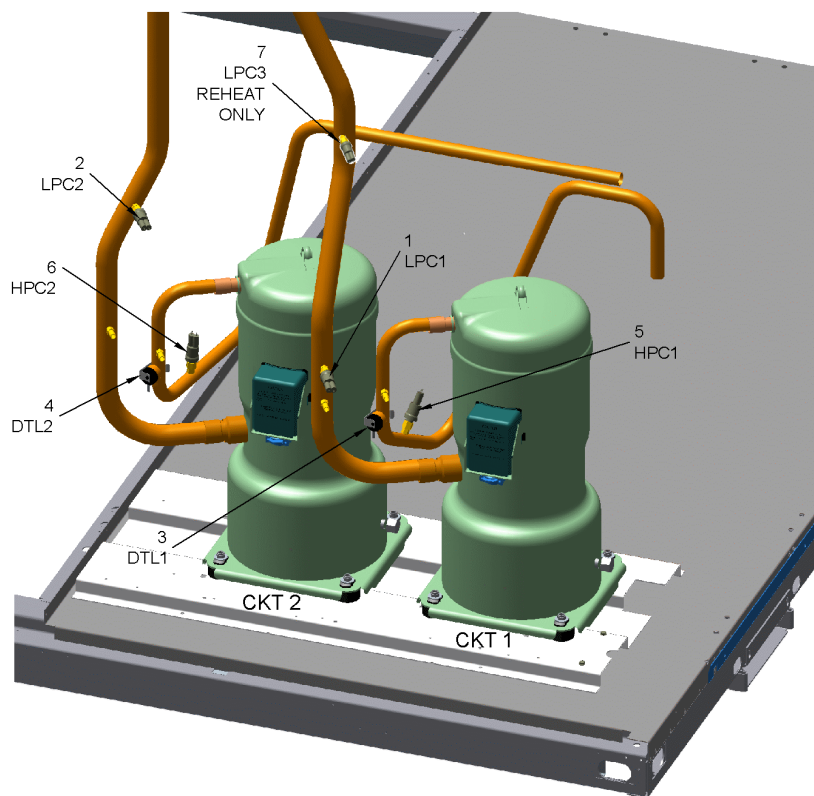
Model Number Description	75009901	REV E
<p>Voyager 2 Digits 1-17</p>		
<p>Digit 1 Unit Type Y= Gas/Electric T= Cooling W= Heat pump</p>	<p>Digit 12,13 Service Sequence</p> <p>Digit 14 Fresh Air Selection 0= No Fresh Air A= Manual damper D= Econ Dry Bulb w/ barometric relief F= Econ Reference Enthaply with barometric relief H= Econ Comparative Enthaply with barometric relief K= Low Leak Econ Dry Bulb with barometric relief M= Low Leak Econ Reference Enthalpy with barometric relief P= Low Leak Econ Comparative Enthalpy with barometric relief</p>	
<p>Digit 2 Efficiency S= Standard H= High Z= Ultra High</p>	<p>Digit 15 Supply Fan/Drive Type/Motor 0= Standard Drive 1= Oversized Motor 3= High Efficiency Belt Drive 6= Single Zone Variable Air Volume Standard 7= Two Speed Standard 8= Single Zone Variable Air Volume Oversized 9= Two Speed Oversized A= Single Zone Variable Air Volume Standard with Shaft Ground Ring B= Two Speed Standard w/ Shaft Ground Ring C= Single Zone Variable Air Volume Oversized with Shaft Ground Ring D= Two Speed Oversized w/ Shaft Ground Ring E= VAV Supply Air Temperature Control - Standard F= VAV Supply Air Temperature Control - Oversized G= VAV Supply Air Temperature Control - Standard w/ Shaft Ground Ring H= VAV Supply Air Temperature Control - Oversized w/ Shaft Ground Ring</p>	
<p>Digit 3 Airflow D= Downflow H= Horizontal</p>	<p>Digit 16 Hinged Service Access / Filters 0= Standard panels/standard filters A= Hinged access/standard filters B= Standard panels/2" inch pleated filters C= Hinged access/2" inch pleated filters D= Standard panels/MERV 13 filters E= Hinged access/MERV 13 filters</p>	
<p>Digit 4,5,6 Unit Tonnage 150= 12.5 Ton 155= 15 Ton 50 hz 175= 17.5 Ton 50 hz 180= 15 Ton 200= 20 Ton 50 hz 210= 17.5 Ton 240= 20 Ton 250= 25 Ton 50 hz 300= 25 Ton</p>	<p>Digit 17 Condenser Coil Protection 0= Standard coil 1= Standard coil with hail guard 2= Epoxy Coated Condenser Coil 3= Epoxy Coated Condenser Coil and Hail Guard 4= ECoated Coil 5= ECoated Coil with Hail Guard</p>	
<p>Digit 7 Major Design Sequence E= R-410a F= Micro-channel G= ASHRAE 90.1</p>		
<p>Digit 8 Voltage Selection 3= 230/60/3 4= 460/60/3 D= 380-415/50/3 K= 380/60/3 T= 200/50/3 W= 575/60/3</p>		
<p>Digit 9 Unit Controls R= Reliatel</p>		
<p>Digit 10 Heating Capacity 0= No Heat G= 18 kW electric heat K= 27 kW electric heat N= 36 kW electric heat P= 54 kW electric heat R= 72 kW electric heat H= Gas Heat - High L= Gas Heat - Low V= Gas Heat - Modulating X= Gas Heat - SS Ht Ex - Low Z= Gas Heat - SS Ht Ex - High</p>		
<p>Digit 11 Minor Design Sequence A= Minor Des. Seq.</p>		



REFRIGERATION CIRCUIT CONTROLS

75009944

REV
B



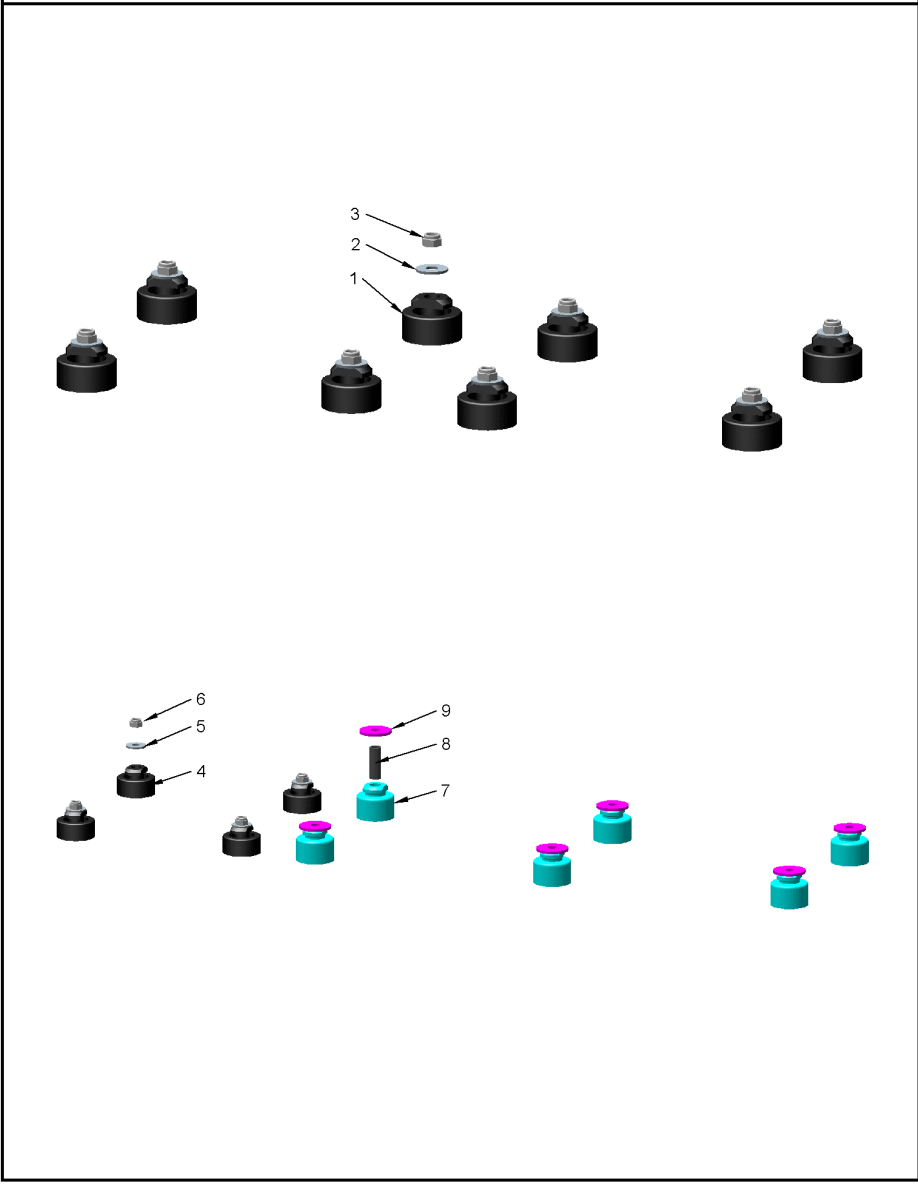
This is a typical illustration. The unit in the field may not appear exactly as shown.

COMPRESSOR MOUNTING HARDWARE

75010913

REV.
A

VOYAGER 2
TYPICAL ILLUSTRATION

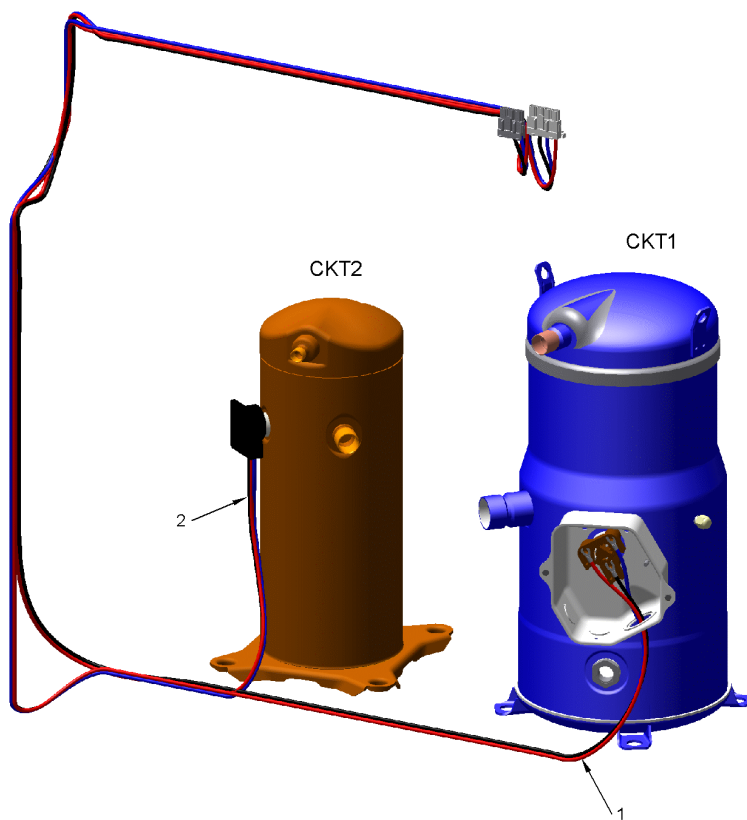


Part No.	Reference No.	Quantity	Description
GRM00888	1	8	GROMMET; ISOLATOR, COMPRESSOR, .438 ID X .160 GRV, .750 DIA X 1.625 OD, BLACK NEOPRENE RUBBER
NUT00355	3	8	NUT; HEX, LOCK, 5/16IN.-18

COMPRESSOR POWER HARNESSES

75011760

REV
A

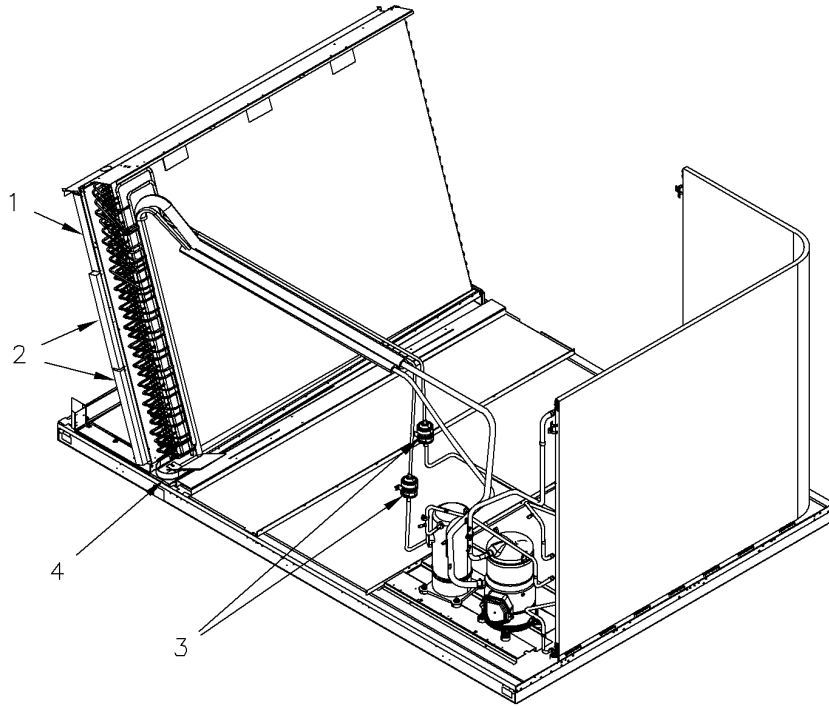


This is a typical illustration. The unit in the field may not appear exactly as shown.

FILTERS AND DRAIN PANS

75009909

REV
A

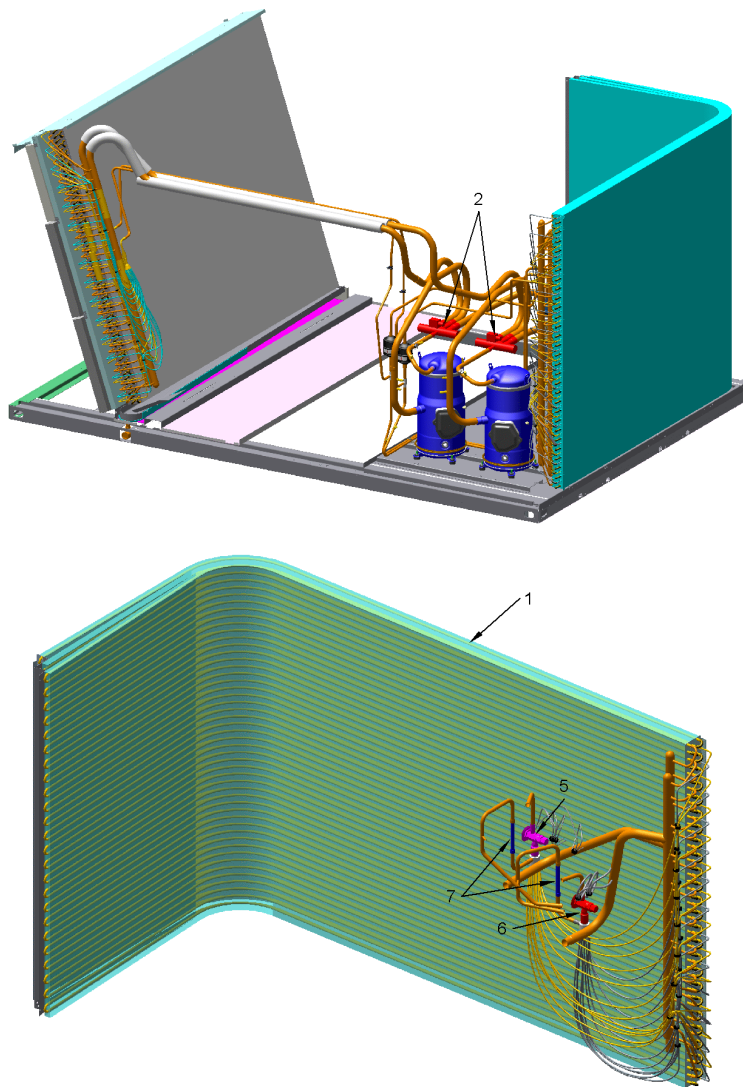


Part No.	Reference No.	Quantity	Description
TOL04139	*	2	TOOL; FILTER REMOVAL
DHY01470	3	2	DRIER; LIQUID LINE; SERVICE FIRST; 16 CU. IN. DCL165/4S, 5/8 ODF INLET X 1/2 ODF OUTLET; 11.4 TON CAPACITY; APPROVED FOR MINERAL OIL AND POE OIL REF

OUTDOOR CONDENSOR COIL
HEAT PUMP

75009911

REV
C



This is a typical illustration. The unit in the field may not appear exactly as shown.

Parts List Number :VOY2UP1

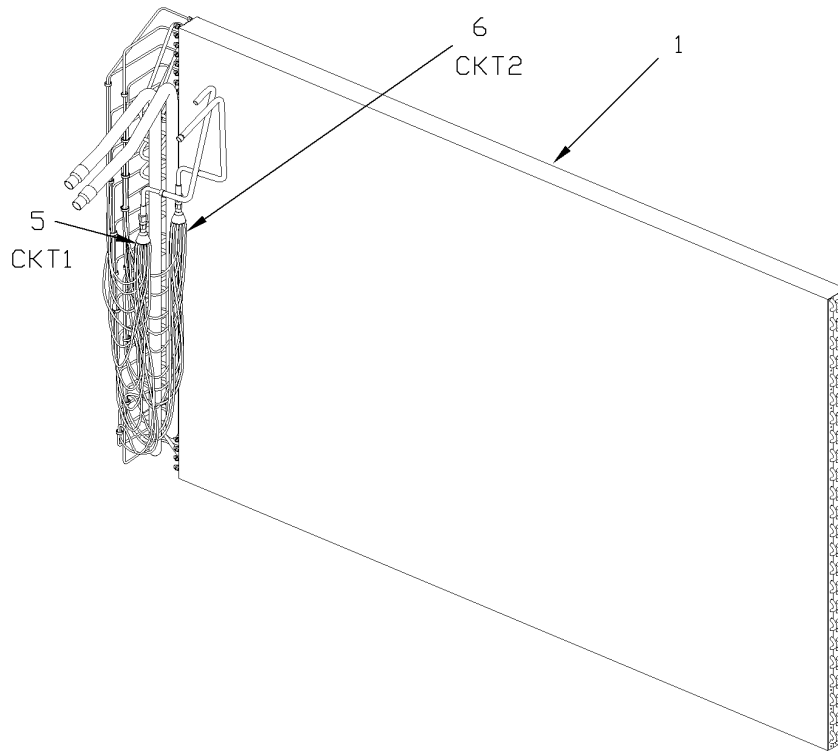
Model Number :WSD240E3R0C0000

Part No.	Reference No.	Quantity	Description
VAL08224	2	2	VALVE; REVERSING; .88 ODF X 1.38 ODF, W/SOLENOID COIL W/O WIRE HARNESS, DISCHARGE: .88 ODF, SUCTION: 1.38 ODF, WITH SOLENOID COIL (COL11873)
VAL02189	7	0	VALVE; CHECK, 1/2 ID INLET X 1/2 OD OUTLET, 4.6 IN LENGTH

INDOOR EVAP COIL
HEAT PUMP

75009947

REV
A

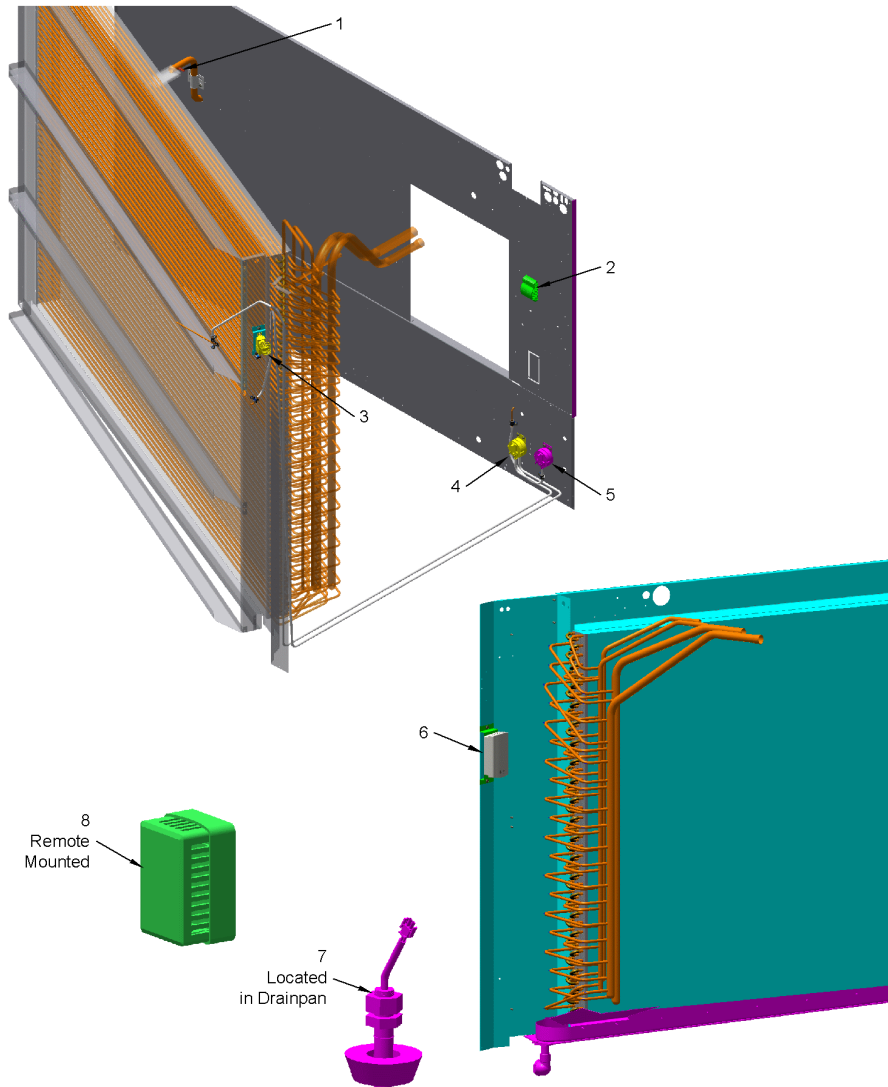


Part No.	Reference No.	Quantity	Description
COL29151	1	1	COIL; INDOOR-WELD ASSY
VAL09739	5	1	VALVE; ID FLOW CONTROL CKT #2
VAL19396	6	1	VALVE; INDOOR FLOW CONTROL CKT 1

UNIT SENSORS

75009958

REV
B



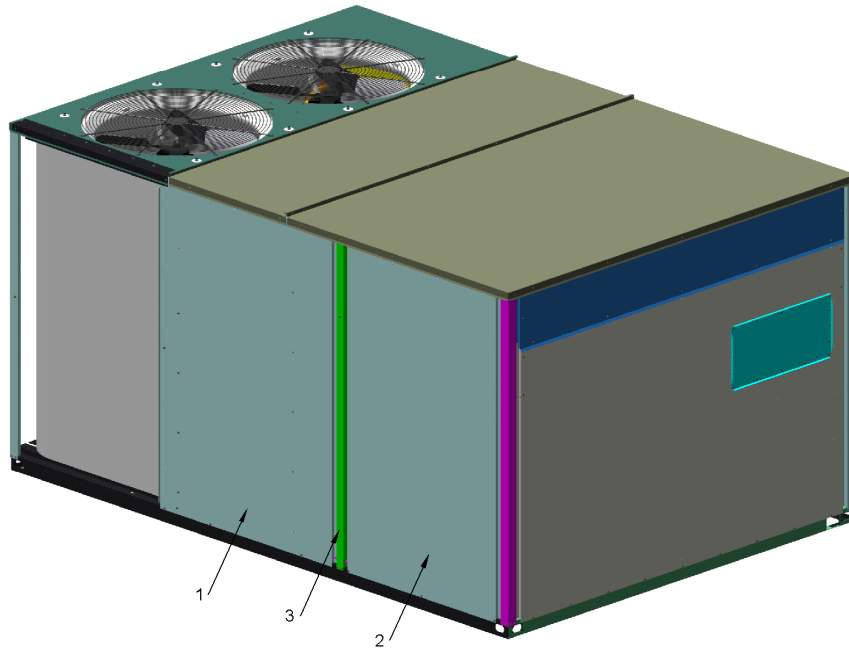
This is a typical illustration. The unit in the field may not appear exactly as shown.

Part No.	Reference No.	Quantity	Description
CNT06849	3	1	CONTROL; DEFROST W / CAPILLARY, 60"

AIR FLOW PANELS

75012744

REV.
A



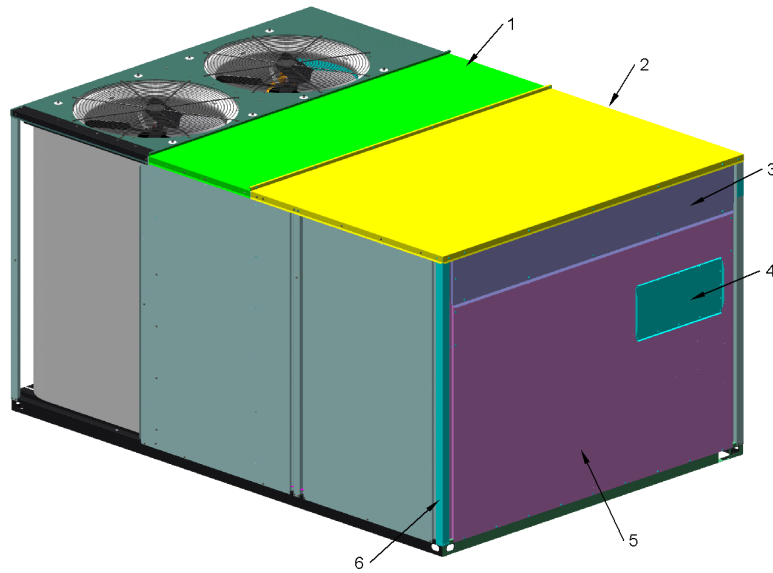
This is a typical illustration. The unit in the field may not appear exactly as shown.

Part No.	Reference No.	Quantity	Description
PNL26387	1	1	PANEL; REAR DF ASSEMBLY
PNL26489	2	1	PANEL; REAR ASSEMBLY
SUP05216	3	1	SUPPORT; RIGHT HAT SECTION

COMM PANELS
DOWNFLOW

75012749

REV.
A



This is a typical illustration. The unit in the field may not appear exactly as shown.

Part No.	Reference No.	Quantity	Description
COV01384	1	1	COVER, TOP HEAT SECTION ASSEMBLY
COV01528	2	1	COVER, TOP ASSEMBLY INDOOR SECTION
PNL26389	3	1	PANEL; TOP ECONOMIZER
COV01353	4	1	COVER, MANUAL FRESH AIR, 24.42 X 11.71
PNN01155	5	1	PANEL; ECONOMIZER, END ASSEMBLY
SUP05215	6	1	SUPPORT; CORNER POST REAR

VOYAGER
OPTIONAL FIELD INSTALLED ACCESSORIES

75012144

REV.
A

ACCESSORY TYPE

ECON = Economizer	ISLT = Isolator
ASCT = Anti-Cycle Timer	KSKT = Start Accessory Kit
BARM = Barometric Relief	LEGS = Snow Legs
BASE = Base	LIFT = Roof Mount Kit
BURN = Burner	LOAM = Low Ambient
CTHI = Board-Convention Interface	LPKT = L.P. Kit
CURB = Roofcurb	MOTR = Low Ambient Motor Kit
CCHT = Crankcase Heater	NXKT = No Oxide Kit
DFSR = Air Diffuser	PLNM = Plenum
DMPR = SS Damper	PLUS = Plus One Kit
DNKT = Downflow Kit	PSMN = Power Supply Monitor Kit
FCCV = Flow Control Check Valve	PWRX = Power Exhaust
FLSW = Flow Switch	QACB = Quick Adapt Curb
FLTR = Filter	RLAY = Relay
FRST = High Temperature Sensor	SENS = Sensor
GARD = Coil Guard	SPEK = Single Source Power Entry
HALT = High Altitude Kit	STAT = Thermostat
HSDR = Optimized Sheave Accessory	STMT = Elapsed Time Meter
HSMT = Oversized Motor Kit or High Static Motor	TBKT = Thru Base Utility Kit
HTR = Electric Heater (Digit 7 is used to differentiate the products accessory is used with)	TEST = Test Accessory
ICSI = Board Communication Interface	TIME = ICS Interface Kit
	TXVA = Thermal Expansion Valve Kit
	TXVH = Thermal Expansion Valve Kit
	VDPR = Vent Damper
	WATR = Hot Water or Steam Coil
	2STG = 2 Stage Gas

**When identifying accessories please
refer to WAVE94591.**

