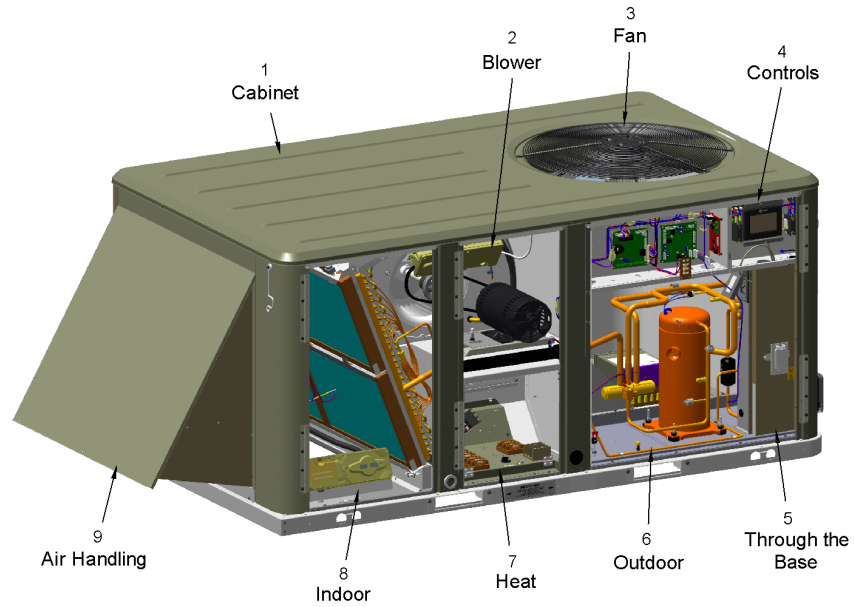


PACKAGED HEAT PUMP

75012783

RP  
A

The sections that appear on this illustration are for all options.  
Sections and options will appear in the Parts List if factory installed



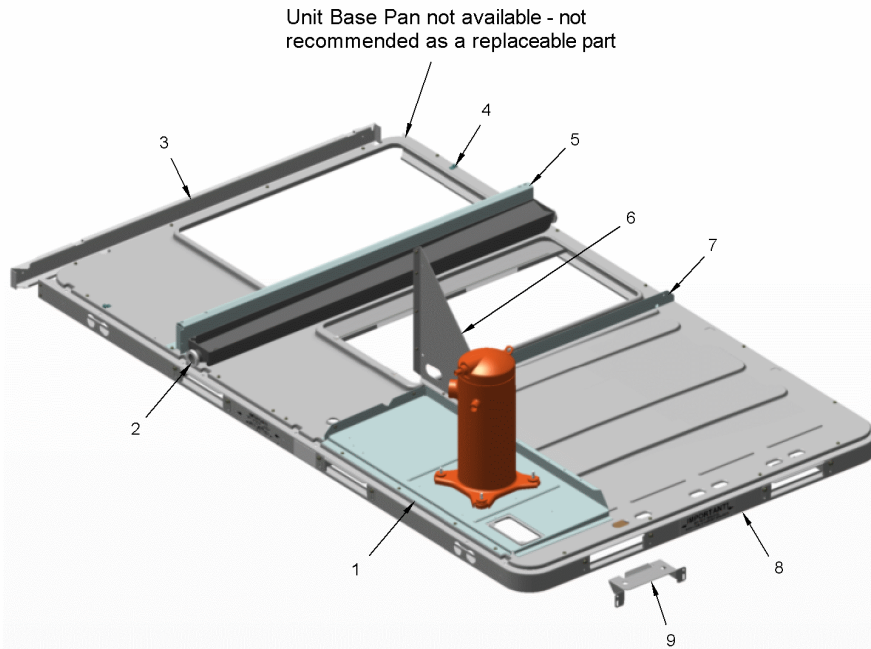
This is a typical illustration. The unit in the field may not appear exactly as shown.

<b>Part No.</b>	<b>Reference No.</b>	<b>Quantity</b>	<b>Description</b>
75011721	1		UNIT BASE COMPONENTS
75012614	2		BLOWER
75012613	3		FAN - OUTDOOR
75012787	4		CONTROL PANEL
75011851	4		HARNESS - COMMON CONTROLS
75011857	4		HARNESS - CONTROLS WITH CTS
75011723	4		HARNESS - OPTIONS
75012825	4		HARNESS - POWER
75012826	4		HARNESSES - POWER & CONTROLS / BELT DRIVE MOTOR
75011855	4		TERMINAL BLOCK - CONTROLS (CTB)
75012785	6		OUTDOOR COIL, COMPRESSOR
75012806	8		REFRIGERATION - INDOOR COIL / FILTERS
NGRAPHIC	10		OPTIONAL FIELD INSTALLED ACCESSORIES
75012766	11		MODEL NUMBER DESCRIPTION, DIGITS 1-16
75012767	11		MODEL NUMBER DESCRIPTION, DIGITS 17-31

UNIT BASE COMPONENTS

75011721

REV.  
A



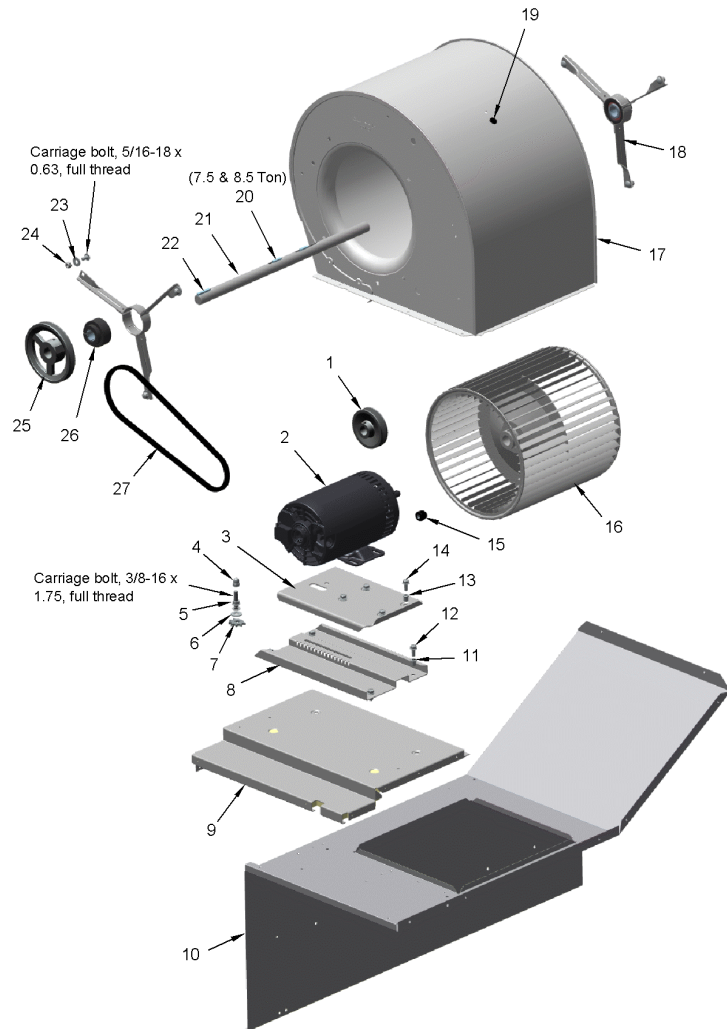
This is a typical illustration. The unit in the field may not appear exactly as shown.

<b>Part No.</b>	<b>Reference No.</b>	<b>Quantity</b>	<b>Description</b>
PLT03619	1	1	PLATE; MOUNTING, COMPRESSOR, 34.56 X 14.30
RAL00878	3	1	RAIL; END, 53 IN LENGTH
CLP01008	4	2	NO DESCRIPTION AVAILABLE
SUP04486	5	1	SUPPORT; INDOOR COIL, 51.6 INCH LENGTH
BRK03275	6	1	BRACKET; COMPRESSOR SUPPORT (3 SIDES)
ANG01324	7	1	ANGLE; TOGGLE LOCK, 51.00 X 1.80
RAL01211	8	1	RAIL; BASE, C/D CABINET
BRK03274	9	4	BRACKET; BASE SUPPORT MOUNT, 10.3 LENGTH (FORKLIFT BRACKET)

BLOWER

75012614

RP  
A



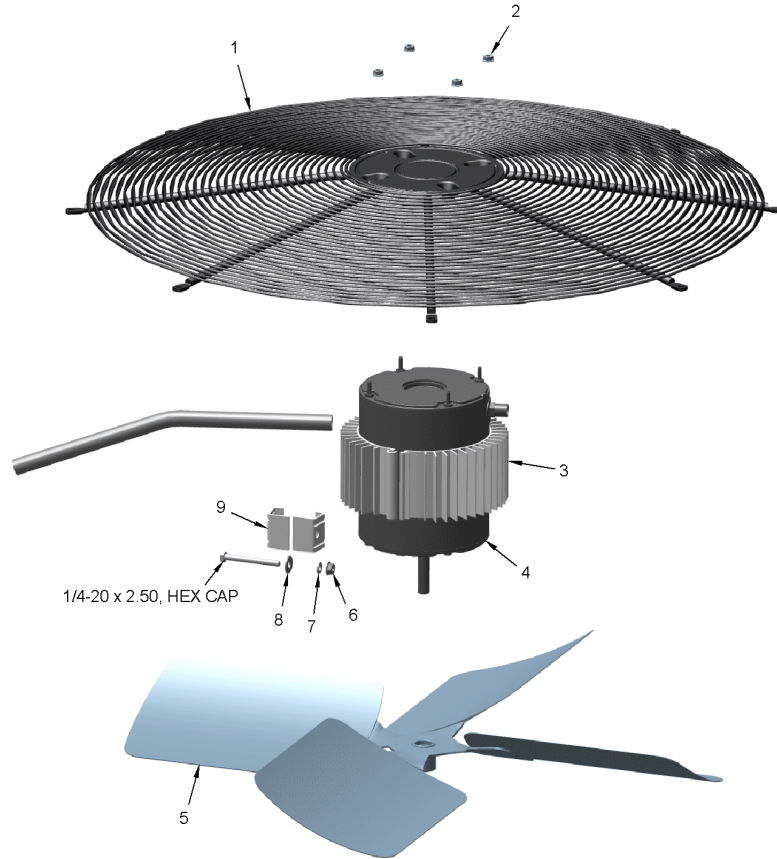
This is a typical illustration. The unit in the field may not appear exactly as shown.

Part No.	Reference No.	Quantity	Description
KIT12166	*	1	KIT; MOTOR MOUNTING. INCLUDES (1) BRK02977, (1) BRK02978, MOUNTING HARDWARE AND BELT TENSION LABELS.
WIR09224	*	1	WIRE; HARNESS; BELT DRIVEN INDOOR MOTOR, PPM87, 16G-RD,17G-BL,76A-BK
BRK02978	3	1	BRACKET; MOTOR MOUNTING PLATE, TOP, 11.7 X 7.8. INCLUDES (4) .31-18 HEX RIVNUTS.
NUT01042	4	1	NUT; HEX, 3/8-16 UNC, ACORN, HIGH CROWN, BELT DRIVE MOTOR BRACKET
NUT00079	5	1	NUT; .38-16
WAS00283	6	1	WASHER; PLAIN, .43 ID X 1.00 OD, .083 THK, CARBON-STL PLD
BRK02975	7	1	BRACKET; ADJUSTMENT, MOTOR (IDLER GEAR)
BRK02977	8	1	BRACKET; MOTOR MOUNTING PLATE, BOTTOM, 14.5 X 8.0. INCLUDES (4) 0.31-18 X 0.75 HEX MACH SCREWS.
INS03491	9	1	INSULATION; WRAPPER FRONT
PNL16810	9	1	PANEL; WRAPPER, TOP, 19.74 X 16.59
NUT00588	11	4	NUT; HEX RIVET, .31-18
SCR01634	12	4	SCREW; .31-18 X .75, HEX MACH
NUT00588	13	4	NUT; HEX RIVET, .31-18
SCR01634	14	4	SCREW; .31-18 X .75, HEX MACH
BUS00363	15	1	BUSHING; STRAIN RELIEF
BUS00485	19	1	BUSHING; .62 MTG W/MAX .44 ID
KEY00300	22	1	KEY; 1/4 IN X 1/4 IN X 1-1/2 IN
BRG01579	26	2	BEARING; BALL; 1.0 BORE, BB CRTG, RUBBER MOUNT

FAN - OUTDOOR

75012613

RP  
A



This is a typical illustration. The unit in the field may not appear exactly as shown.

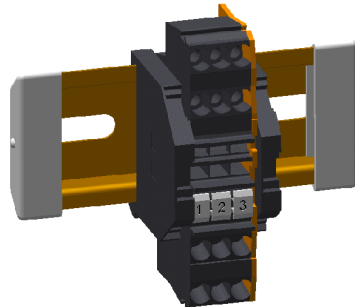
Part No.	Reference No.	Quantity	Description
GRL01353	1	1	GRILLE; OUTDOOR FAN, 30.33 MTG DIA
NUT01332	2	4	NUT; SERRATED HEX FLANGE, ZINC PLATED (IF RUBBER CAP IS NEEDED ORDER IRT00017)
RNG01005	3	2	RING; EXTRUDED FIN, HEAT SINK, 3.00 WIDE, UNRESTRAINED DIM IS 7.20/6.61
MOT18646	4	1	MOTOR; AL OD MOTOR, 3 PHASE 0.7 HP, 230V
NUT00009	6	1	NUT; .25-20, HEX LOCK
WAS00670	7	1	WASHER; .26 ID X .49 OD
WAS00041	8	1	WASHER; FLAT, PLAIN, #12 .25 ID X .56 OD, .065 THK, CARBON STL-PLD
BRK00688	9	2	BRACKET; CONNECTING, HEAT SINK

TERMINAL BLOCK - CONTROLS (CTB)

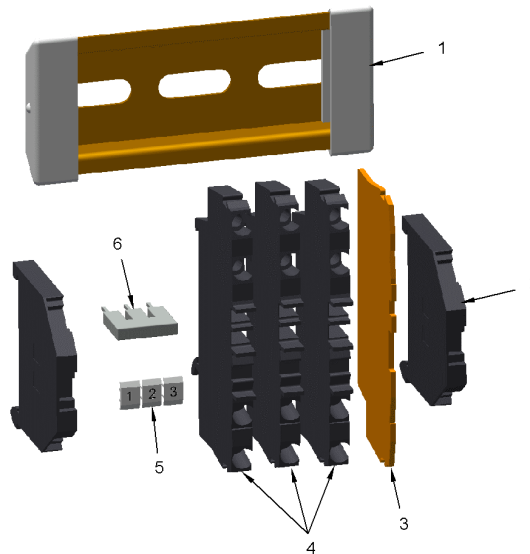
75011855

REV.  
A

This assembly is a component of the Common Controls Harness

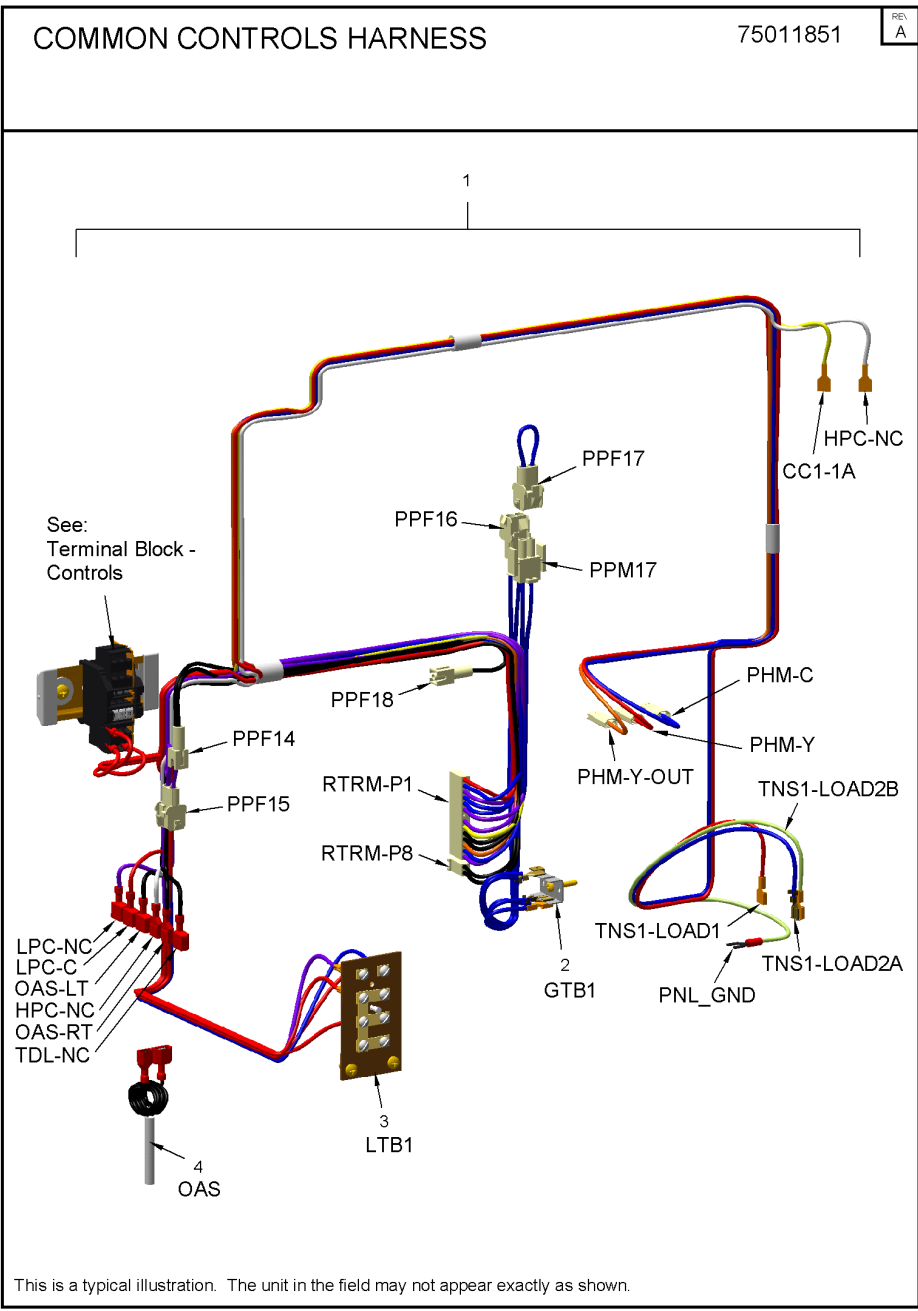


Reference - complete assembly



This is a typical illustration. The unit in the field may not appear exactly as shown.

<b>Part No.</b>	<b>Reference No.</b>	<b>Quantity</b>	<b>Description</b>
CAP01251	1	2	CAP; PROTECTIVE FORM CAP
TER01332	2	2	TERMINAL; BLOCK, END STOP
PLT04051	3	1	PLATE; 4 CONDUCTOR POLE END PLATE
TER01334	4	3	TERMINAL; BLOCK, 4 CONDUCTOR POLE 20A 600V
TER01351	5	1	TERMINAL; BLOCK, POLE MARKING 1-10 VERT
TER01354	6	1	TERMINAL; BLOCK, 3 POLE JUMPER

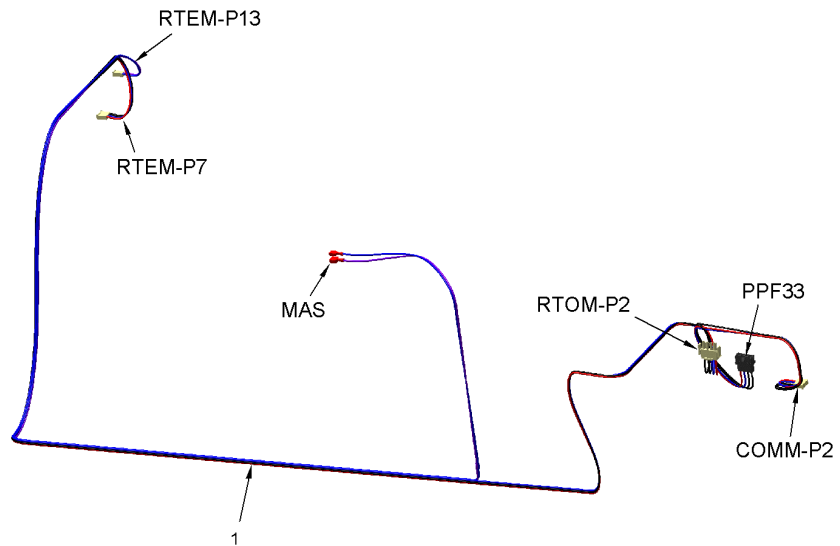


<b>Part No.</b>	<b>Reference No.</b>	<b>Quantity</b>	<b>Description</b>
WIR09263	1	1	WIRE; HARNESS, COMMON CONTROLS, INCLUDES CTB
TER01680	2	1	TERMINAL STRIP; .25IN. FASTON
BLK00940	3	1	BLOCK; 6 TERMINALS (LVTB)
BRK04441	4	1	BRACKET; OUTDOOR AIR SENSOR
GRM00039	4	1	GROMMET; RUBBER .25 ID X .05 GRV MLD
SEN01829	4	1	SENSOR; THERMISTOR PROBE, -40 TO 65C, .25 DIA X 1.75 LG W/26" PVC LEADS-INSUL QC

OPTIONS HARNESS

75011723

REV.  
A



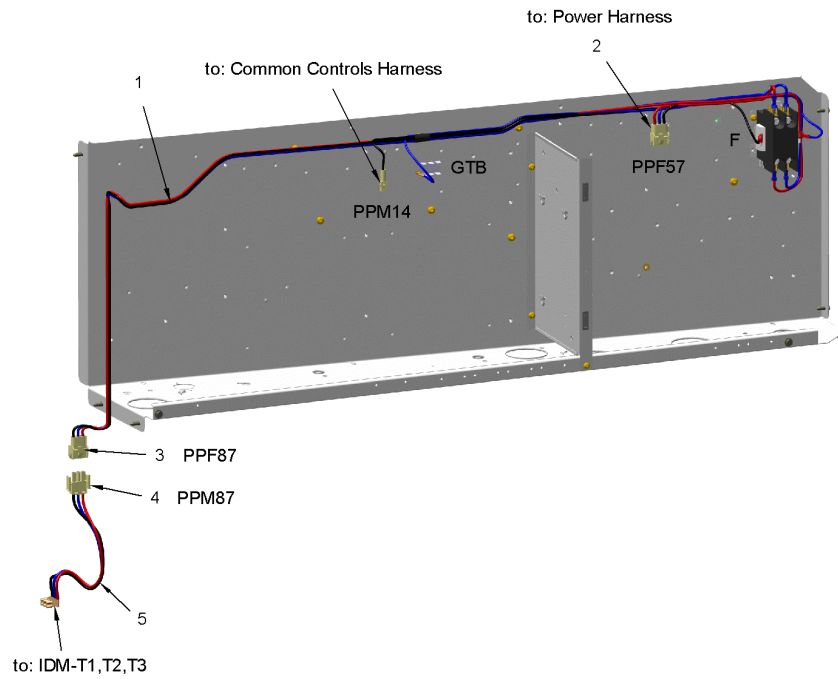
This is a typical illustration. The unit in the field may not appear exactly as shown.

Part No.	Reference No.	Quantity	Description
WIR03419	1	1	WIRE; HARNESS, OPTIONS - COMM-J2 TO RTOM-J1, RTEM TO MAS, RTEM TO RTOM-J2, TO ECA

HARNESSES - POWER & CONTROLS

75012826

RP  
A



This is a typical illustration. The unit in the field may not appear exactly as shown.

Parts List Number :WSCUP10

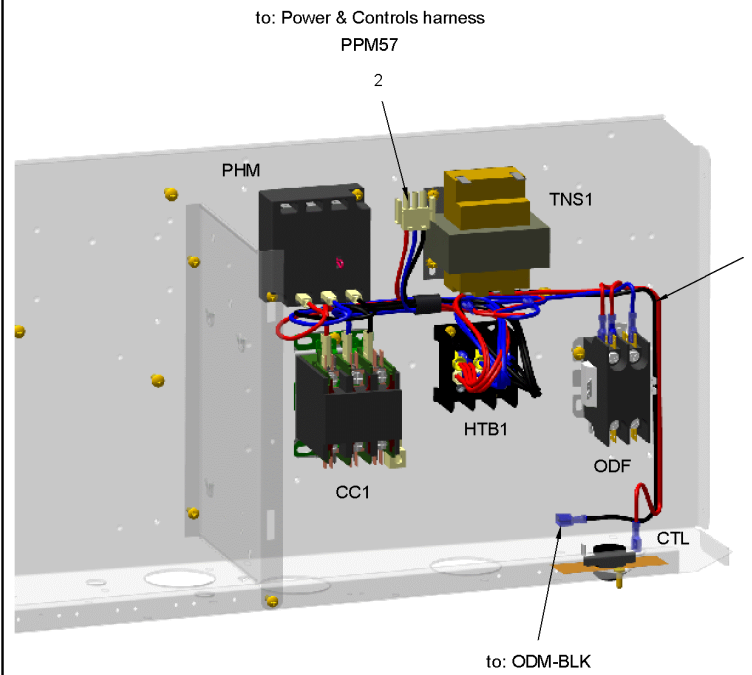
Model Number :WSC072H3R0A001S

Part No.	Reference No.	Quantity	Description
WIR09235	1	1	WIRE; HARNESS, PWR & CNTLS, BELT DRIVE MOTOR, PPF87, PPM14, PPF57, 16F-RD,17F-BL,101DL-BL,117S-BK,W93-RD,W94-BL, W96-BK
CON00973	2	1	CONNECTOR; 3 CKT, CAP HSG, WHITE/NATURAL
CON00973	3	1	CONNECTOR; 3 CKT, CAP HSG, WHITE/NATURAL
CON00486	4	1	CONNECTOR; PLUG HOUSING, 3 PIN MALE
WIR09224	5	1	WIRE; HARNESS; BELT DRIVEN INDOOR MOTOR, PPM87, 16G-RD,17G-BL,76A-BK

HARNESS - POWER

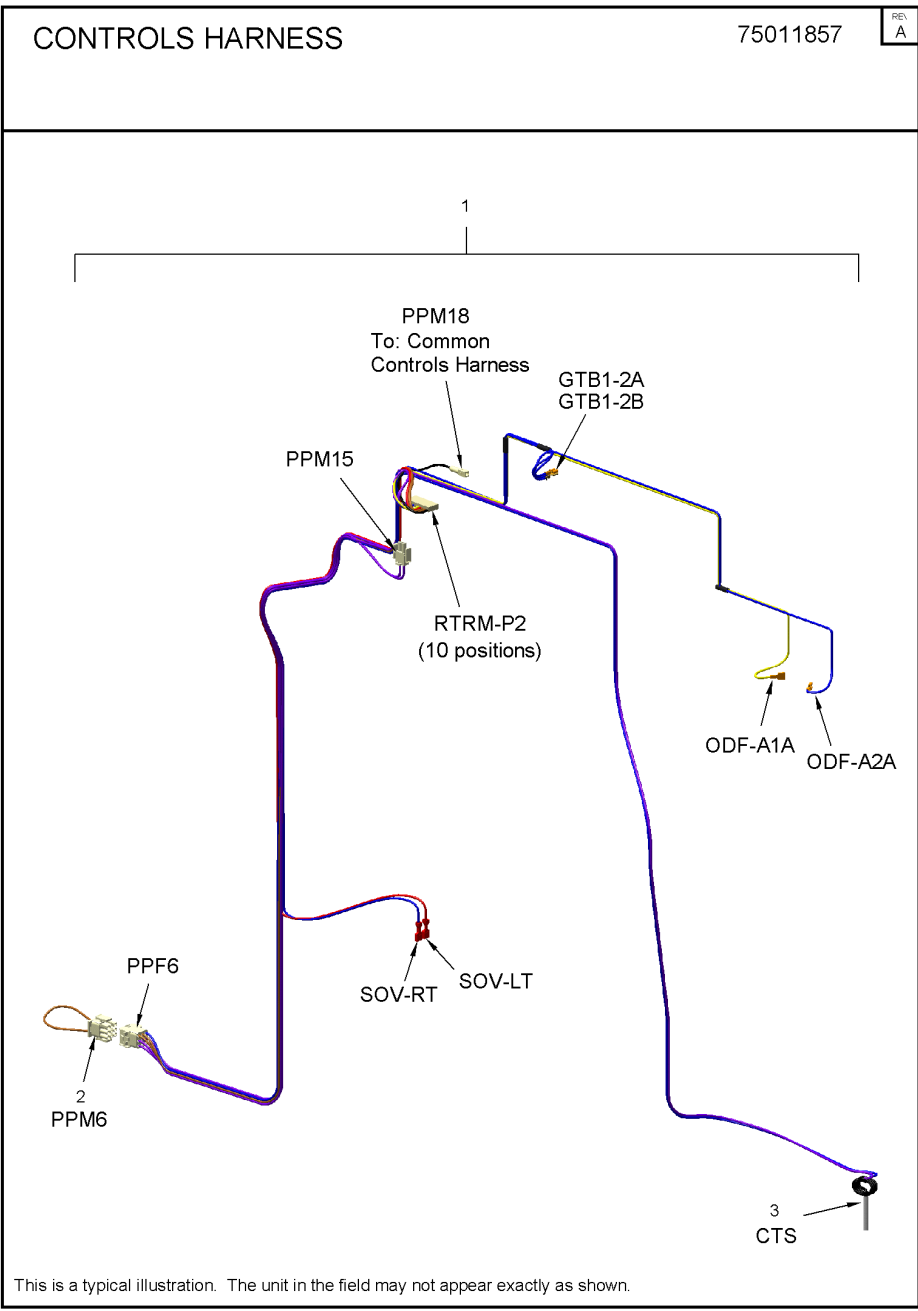
75012825

RP  
A



This is a typical illustration. The unit in the field may not appear exactly as shown.

<b>Part No.</b>	<b>Reference No.</b>	<b>Quantity</b>	<b>Description</b>
WIR09241	1	1	WIRE; HARNESS, POWER. CC1,ODF,ODM,PHM,TNS1,PPM57 TO HTB1 & CTL
CON00486	2	1	CONNECTOR; PLUG HOUSING, 3 PIN MALE



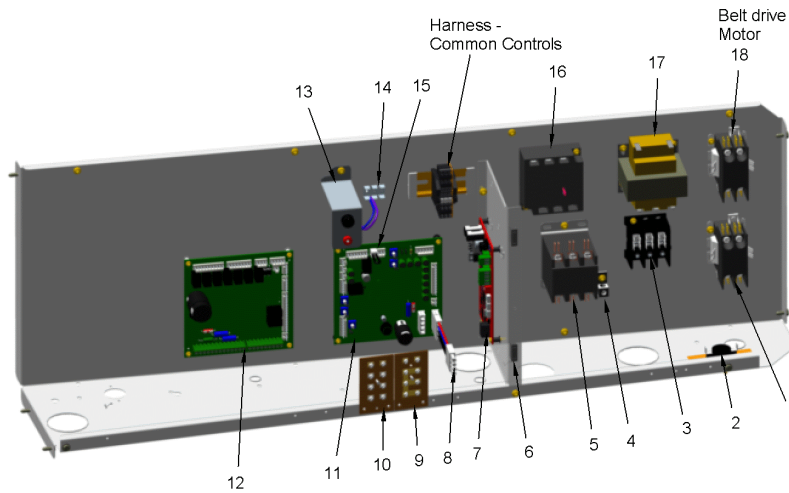
<b>Part No.</b>	<b>Reference No.</b>	<b>Quantity</b>	<b>Description</b>
WIR08680	1	1	WIRE; HARNESS, CONTROLS, INCLUDES CTS-SEN00275 & WIR08179
WIR08179	2	1	WIRE; HARNESS, NO HEAT CONFIGURATION - RELIATEL CONTROLS
SEN00275	3	1	SENSOR; THERMISTOR PROBE, -40 DEG C TO 65 DEG C, 12 INCH STRIPPED LEADS

CONTROL PANEL

75012787

RP  
A

The parts that appear on this illustration are for all options.  
Parts will appear in the Parts List if factory installed.



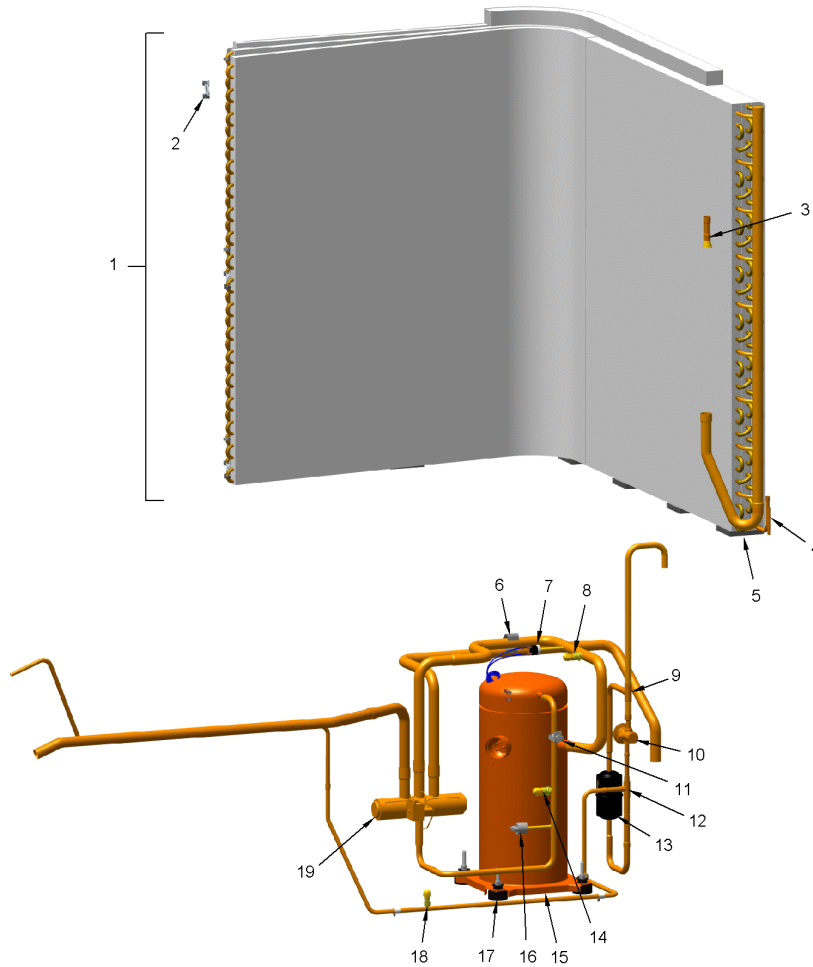
This is a typical illustration. The unit in the field may not appear exactly as shown.

Part No.	Reference No.	Quantity	Description
CTR01203	1	1	CONTACTOR; 2P, 30A, 24V COIL, 30 FLA AT 277V
CNT01405	2	1	CONTROL; TEMP, OPEN 65F, CLOSE 55F, SPST
CON00077	4	1	CONNECTOR, ELECTRIC GROUND, 14-2 AWG SOLDERLESS
CTR01870	5	1	CONTACTOR; 3 POLE, 30 FLA, W/O LUGS, 50/60 HZ, 24V COIL
CAT00043	6	2	CATCH; MAGNETIC SNAP-IN
WIR03277	8	1	WIRE; HARNESS, OPTION MODULE GENDER CHANGER. BK, BL, RD WIRES. 4 INCH LENGTH. PPM33
BLK00940	9	1	BLOCK; 6 TERMINALS (LVTB)
MOD02554	11	1	MODULE; RELIATEL OPTIONS, RTOM
MOD02919	12	1	MODULE; RELIATEL REFRIGERATION DUAL CIRCUIT COOL/HP
TER01680	14	1	TERMINAL STRIP; .25IN. FASTON
WIR03278	15	1	WIRE; HARNESS, SUPPLY AIR TEMPERING, BK WIRE, 3 INCHES LENGTH, RTOM 5J3-1 TO 5J3-2
CNT05176	16	1	CONTROL; MONITOR, 3-PHASE LINE, UNIVERSAL 180-632 VAC, PHASE AND LOSS REVERSAL
TRR00825	17	1	TRANSFORMER; 75 VA, 208-230V PRI, 24V SEC

REFRIGERATION  
OUTDOOR COIL / COMPRESSOR

75012785

RP  
A



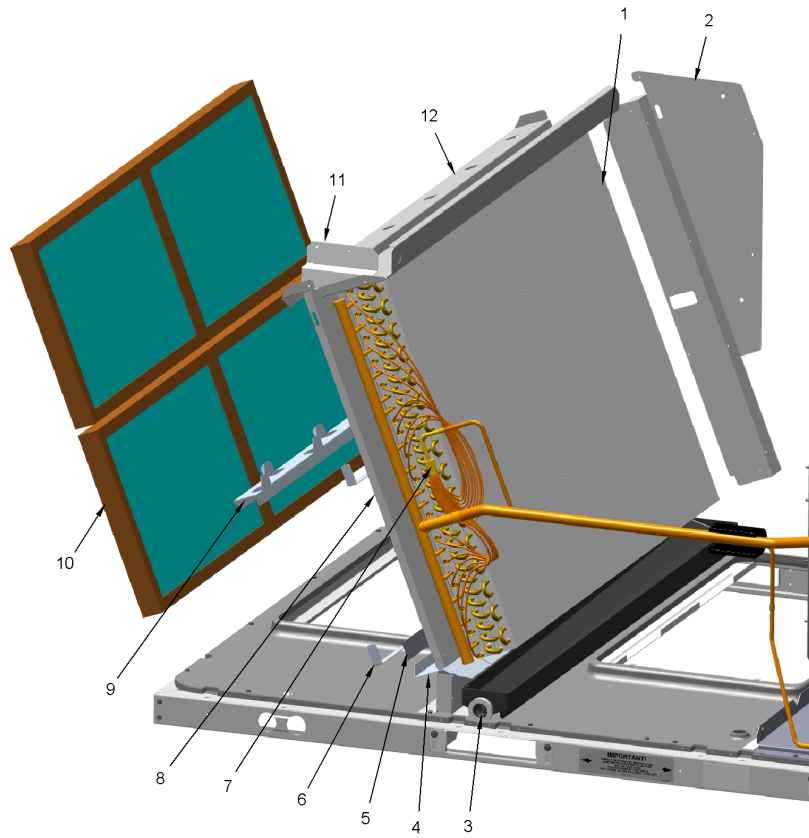
This is a typical illustration. The unit in the field may not appear exactly as shown.

Part No.	Reference No.	Quantity	Description
VAL02189	*	1	VALVE; CHECK, 1/2 ID INLET X 1/2 OD OUTLET, 4.6 IN LENGTH
WIR03438	*	1	WIRE; HARNESS, COMPRESSOR, 12 AWG, CC1, 46 IN LENGTH (3 WIRE-RD,BL,BK)
KIT15254	2	6	KIT; OUTDOOR COIL CLIPS, BLACK PLASTIC, 3.878 LENGTH (PACKAGE OF 6 CLIPS)
DST00951	3	1	DISTRIBUTOR; ASSEMBLY, OUTDOOR, 9 OUTLETS, #4 NOZZLE
HLD00255	4	1	HOLDER; THERMISTOR
INS01666	5	5	INSULATION; 0.40 X 3.00 X 3.00
CLP01073	6	1	CLIP; BULB (RED)
SWT03173	7	1	SWITCH; LOW PRESSURE CUTOUT, 250 OPEN, ACTUATION PRESSURE 41 +/- 4, RESET PRESSURE 25 +/- 4
WIR04406	7	1	WIRE; HARNESS, LOW PRESSURE SWITCH, 42 IN LENGTH, BLUE WIRES, CIR 1
CAP00072	8	1	CAP; VALVE, SEAL, .25 FFL
SET00819	8	1	SEAT; SADDLE MOUNT ASSEMBLY
STM00803	8	1	STEM; SADDLE MOUNT, VALVE CORE, BRASS, .344 DIA X 1.29 SCHRAEDER TYPE FITTING (TO INCLUDE 5 PIECES)
TEE00143	9	1	MIN=50/50 TEE; 0.50C X 0.50C X 0.50C
VAL09587	10	1	VALVE; EXPANSION; 5 TON, 3/8 ODF IN X 1/2 ODF OUT, NON-ADJUSTABLE, R410A, 131.4 PSIG
THT02805	11	1	THERMOSTAT; WITH CLIP, .5/.625 TUBE, 38 IN, BLACK WIRES, SPST, 230F OPEN, 180F CLOSE
TEE00099	12	1	TEE; 1/2 X 3/8 X 3/8
TUB12538	12	1	TUBE; ASSEMBLY, WITH TXV, DRIER AND CHECK VALVE
DHY01511	13	1	DRIER; FILTER, LIQUID LINE, 5/16 ODM INLET X 5/16 ODF OUTLET, 8 CU INCH
CAP00072	14	1	CAP; VALVE, SEAL, .25 FFL
SET00819	14	1	SEAT; SADDLE MOUNT ASSEMBLY
STM00803	14	1	STEM; SADDLE MOUNT, VALVE CORE, BRASS, .344 DIA X 1.29 SCHRAEDER TYPE FITTING (TO INCLUDE 5 PIECES)
TUB11739	14	1	TUBE; ASSEMBLY, DISCHARGE, INCLUDES HPCO AND SET00819
COM08837	15	1	COMPRESSOR; SCROLL, SSA067A3BPZ, 5.6 TON, 200/230/60/3, 200/220/50/3, R410A, .50 ID DISCHARGE, .875 ID SUCTION
HTR06511	15	1	HEATER; CRANKCASE, 70W, 230V, 6.5 DIA, 65/46 IN LEAD LENGTHS
SWT03398	16	1	SWITCH; HIGH PRESSURE, BRAZED, OPENS AT 650 PSIG, CLOSES AT 550 PSIG, 36 INCH WHITE LEADS
ISR00007	17	4	ISOLATOR; VIBRATION
NUT00355	17	4	NUT; HEX, LOCK, 5/16IN.-18
CAP00072	18	1	CAP; VALVE, SEAL, .25 FFL
COR00006	18	1	CORE; VALVE PORT, .79 LENGTH, .206-36 UNS 2A THD
VAL01483	18	1	VALVE; BODY, .44-20 THD X .25 ODS, STRAIGHT, BRASS, LESS CORE
VAL09601	19	1	VALVE; REVERSING, 4-WAY, .88 ODF X .50 ODF. INCLUDES 24V SOLENOID COIL

INDOOR COIL

75012806

RP  
A



This is a typical illustration. The unit in the field may not appear exactly as shown.

Parts List Number :WSCUP10

Model Number :WSC072H3R0A001S

<b>Part No.</b>	<b>Reference No.</b>	<b>Quantity</b>	<b>Description</b>
COL16357	1	1	COIL; INDOOR. INCLUDES THE DISTRIBUTOR, NOT THE TXV
BRK03096	2	1	BRACKET; FILTER STOP, 31.97 X 3.00
BOF02311	4	1	BLOCKOFF; INDOOR COIL BOTTOM, 51.44 X 2.65 X 2.15
BRK03234	5	1	BRACKET; INDOOR COIL, BOTTOM, 0.65 X 4.39 X 1.50
DST00956	7	1	DISTRIBUTOR; ASSEMBLY, INDOOR, 16 OUTLETS, .099 RESTRICTOR PISTON
BOF01689	8	1	BLOCKOFF; INDOOR COIL, FRONT, 32.5 X 5.5
BRK03938	9	1	BRACKET; FILTER CHANNEL, 50.50 LENGTH
BRK03098	11	1	BRACKET; TOP, INDOOR COIL MOUNT, 6 IN LENGTH
BOF02399	12	1	BLOCKOFF; ID COIL - TOP C-CAB W FILTER RETENTION

Part No.	Reference No.	Quantity	Description
ASYSTAT712B	*	1	SENSOR; CO2 SENSING KIT; WALL MOUNTED (ASYSTAT712B)
ASYSTAT714B	*	1	SENSOR; CO2 SENSING KIT; DUCT MOUNTED (ASYSTAT714B)
BAYABRD001C	*	1	KIT; ACCESSORY, OPTIONS BOARD (BAYABRD001CA)
BAYBARM011A	*	1	DAMPER; BAROMETRIC RELIEF (BAYBARM011AB)
BAYBCIR001A	*	1	KIT; FIELD INSTALLED BCI (BAYBCIR001A)
BAYCO2K101A	*	1	KIT; WALL MOUNT CO2 SENSOR KIT
BAYCO2K103A	*	1	KIT;DUCT MOUNT CO2 SENSOR KIT
BAYCURB043A	*	1	CURB; ROOFCURB (BAYCURB043AB)
BAYDFPS004A	*	1	KIT; FAN FAILURE SWITCH (BAYDFPS004AB). (OPTIONS BOARD KIT09433-BAYABRD001CA MUST BE INSTALLED IN THE UNIT FOR THIS ACCESSORY TO OPERATE).
BAYDMPR054A	*	1	DAMPER; RELIATEL, 0-50 PERCENT MOTORIZED OUTSIDE AIR DAMPER (BAYDMPR054A)
BAYDMPR056B	*	1	DAMPER; 0-50% MANUAL OUTSIDE AIR DAMPER (BAYDMPR056BA)
BAYECON087A	*	1	ECONOMIZER; RELIATEL, 0-100 PERCENT DRY BULB (BAYECON087A)
BAYECON0704A	*	1	NO DESCRIPTION AVAILABLE
BAYENTH005A	*	1	KIT; REFERENCE ENTHALPY (BAYENTH005A)
BAYENTH006B	*	1	KIT; COMPARATIVE ENTHALPY (BAYENTH006B)
BAYFRST003A	*	1	KIT; HIGH TEMPERATURE SENSOR (BAYFRST003A)
BAYHAKT010E	*	1	KIT; ACCESSORY, HIGH ALTITUDE
BAYHSMT403A	*	1	OVERSIZED MOTOR KIT; 2 HP OS MOTOR, 208-230/460/60/3
BAYHTRW309A	*	1	ELECTRIC HEATER; 208/230-240/60/3, 9KW
BAYHTRW318A	*	1	ELECTRIC HEATER; 208/230-240/60/3, 18KW
BAYHTRW327A	*	1	ELECTRIC HEATER; 208/230-240/60/3, 9/18KW
BAYHTRW336A	*	1	ELECTRIC HEATER; 208/230-240/60/3, 18/18KW
BAYICSI003A	*	1	BOARD; ACCESSORY, RELIATEL COMMUNICATIONS INTERFACE BOARD (BAYICSI003AD)
BAYLMSW001A	*	1	POWER EXHAUST LIMIT SWITCH
BAYLOAM020B	*	1	CONTROL; EVAPORATOR DEFROST KIT (FROSTAT) (BAYLOAM020BB). (OPTIONS BOARD KIT09433-BAYABRD001CA MUST BE INSTALLED IN THE UNIT FOR THIS ACCESSORY TO OPE
BAYLTCI002B	*	1	KIT; RELIATEL COMMUNICATIONS INTERFACE THAT INCORPORATES LONTALK PROTOCOL (BAYLTCI002BB)
BAYPWRX026A	*	1	KIT; POWER EXHAUST, 208/230V (BAYPWRX026A)
BAYQACB011A	*	1	CURB; ADAPTA CURB (BAYQACB011AA), TRANSITIONS BAYCURB022B, 83.50 X 49.375
BAYQACB012A	*	1	CURB; ADAPTA CURB (BAYQACB012AA), TRANSITIONS BAYCURB025B, 90.50 X 60.625
BAYQACB013A	*	1	CURB; ADAPTA CURB (BAYQACB013AA), TRANSITIONS BAYCURB026B, 103.375 X 68.125
BAYRTEM001A	*	1	RELIATEL ECONOMIZER LOGIC MODULE
BAYSENS050A	*	1	WIRELESS ZONE SENSOR
BAYVNOR001B	*	1	KIT; VENTILATION OVERRIDE (BAYVNOR001BB) (OPTIONS BOARD KIT09433-BAYABRD001CA MUST BE INSTALLED IN THE UNIT FOR THIS ACCESSORY TO OPERATE).
PLT04561	*	1	PLATE; WALL COVER PLATE ASSEMBLY (BAYMTP110A)
SEN00278	*	1	SENSOR; THERMISTOR PROBE, -40 DEG C TO 65 DEG, STRIPPED LEADS (BAYSENS016AA)
SEN01447	*	1	SENSOR; ZONE, ROOM SENSOR W/TEMP. ADJUSTMENT WITH OVERRIDE AND CANCEL BUTTONS, 10K, DIAL, OCCUPIED (BAYSENS074AA)
SEN01448	*	1	SENSOR; ZONE, REMOTE ROOM SENSOR, 10K (BAYSENS077AA)
SEN01450	*	1	SENSOR; ZONE, ROOM SENSOR W/ OVERRIDE AND CANCEL BUTTONS, 10K, OCCUPIED (BAYSENS073AA)
SEN01577	*	1	SENSOR; PROGRAMMABLE ZONE, AUTOMATIC OR MANUAL CHANGEOVER W/ SYSTEM LIGHTS TRANE (BAYSENS119AA)
TOL00099	*	1	TOOL; RESISTANCE DECADE BOX

<b>MODEL NUMBER DESCRIPTION</b>	75012767	RP A
DX Cooling / DX Cooling, Gas Heat / Pkg Heat Pump		
<p><i>Example Model Number:</i></p> <p><b>YSC092H3RZA00C6C2A1A000DEA11AD1</b></p> <p>1 - - - - 5 - - - - 10 - - - - 15 - - - - 20 - - - - 25 - - - - 30 - - - -</p>		
<p><b>Digit 17 – Condenser Coil Protection</b>                  0 = Standard Coil                  1 = Standard Coil with Hail Guard                  2 = Black Epoxy Condenser Coil Guard                  3 = Black Epoxy Condenser Coil with Hail Guard                  4 = CompleteCoat Condenser Coil                  5 = CompleteCoat Condenser Coil with Hail Guard</p> <p><b>Digit 18 – Through the Base Option</b>                  0 = No Through-the-Base Provisions                  A = Through-the-Base Electric                  B = Through-the-Base Gas Piping                  C = Through-the-Base Electric and Gas Piping</p> <p><b>Digit 19 – Disconnect/Circuit Breaker</b>                  0 = No Disconnect/No Circuit Breaker                  1 = Unit Mounted Non-Fused Disconnect                  2 = Unit Mounted Circuit Breaker</p> <p><b>Digit 20 – Convenience Outlet</b>                  0 = Convenience Outlet                  A = Unpowered Convenience Outlet                  B = Powered Convenience Outlet</p> <p><b>Digit 21 – Communications Options</b>                  0 = No Communications Interface                  1 = Trane® Communications Interface                  2 = LonTalk® Communications Interface                  6 = BACnet® Communications Interface                  7 = Air-Fi™ Wireless Communications Interface</p> <p><b>Digit 22 – Refrigeration System Option</b>                  0 = Standard Refrigeration System</p> <p><b>Digit 23 – Refrigeration Controls</b>                  0 = Without Refrigeration Controls                  1 = Frostat™</p> <p><b>Digit 24 – Smoke Detector</b>                  0 = No Smoke Detector                  A = Return Air Smoke Detector                  B = Supply Air Smoke Detector                  C = Supply and Return Air Smoke Detectors                  D = Plenum Smoke Detector</p>	<p><b>Digit 25 – System Monitoring Controls</b>                  0 = Standard Monitoring System                  1 = Clogged Filter Switch                  2 = Fan Failure Switch                  3 = Discharge Air Sensing Tube                  4 = Clogged Filter Switch and Fan Failure Switch                  5 = Clogged Filter Switch and Discharge Air Sensing Tube                  6 = Fan Failure Switch and Discharge Air Sensing Tube                  7 = Clogged Filter Switch, Fan Failure Switch and Discharge Air Sensing Tube                  A = Condensate Drain Pan Overflow Switch                  B = Clogged Filter Switch and Condensate Drain Pan Overflow Switch                  C = Fan Failure Switch and Condensate Drain Pan Overflow Switch                  D = Discharge Air Sensing Tube and Condensate Drain Pan Overflow Switch                  E = Clogged Filter Switch, Fan Failure Switch and Condensate Drain Pan Overflow Switch                  F = Clogged Filter Switch, Discharge Air Sensing Tube and Condensate Drain Pan Overflow Switch                  G = Fan Failure Switch, Discharge Air Sensing Tube and Condensate Drain Pan Overflow Switch                  F = Clogged Filter Switch, Fan Failure Switch, Discharge Air Sensing Tube and Condensate Drain Pan Overflow Switch</p> <p><b>Digit 26 – System Monitoring Controls</b>                  0 = No Monitoring Controls                  A = Demand Control Ventilation (CO<sub>2</sub>)                  B = Low Leak Economizer with FDD (Fault Detection &amp; Diagnostics)                  C = FDD (Fault Detection &amp; Diagnostics) with DCV (Demand Control Ventilation)</p> <p><b>Digits 27 – Unit Hardware Enhancements</b>                  0 = No Enhancements                  1 = Stainless Steel Drain Pan</p> <p><b>Digit 31 – Advanced Unit Controls</b>                  0 = Standard Unit Controls                  1 = Human Interface</p>	
2 of 2		

<p><b>MODEL NUMBER DESCRIPTION</b> <span style="float: right;">75012766</span></p> <p>DX Cooling / DX Cooling, Gas Heat / Pkg Heat Pump</p>		<p>RP A</p>
<p><i>Example Model Number:</i></p> <p><b>YSC092H3RZA00C6C2A1A000DEA11A0D1</b></p> <p>1 - - - - 5 - - - - 10 - - - - 15 - - - - 20 - - - - 25 - - - - 30 - - - -</p>		
<p><b>Digit 1 – Unit Type</b>                  D = Dual Fuel Heat Pump                  T = DX Cooling                  W = Packaged Heat Pump                  Y = DX Cooling, Gas Heat</p> <p><b>Digit 2 – Efficiency</b>                  S = Standard Efficiency                  H = High Efficiency</p> <p><b>Digit 3 – Airflow</b>                  C = Convertible</p> <p><b>Digits 4,5,6 – Nominal Gross Cooling Capacity (MBh)</b>                  072 = 6 Ton                  074 = 6 Ton                  090 = 7.5 Ton                  092 = 7.5 Ton                  102 = 8.5 Ton                  120 = 10 Ton</p> <p><b>Digit 7 – Major Design Sequence</b>                  H = Major Design Sequence</p> <p><b>Digit 8 – Voltage Selection</b>                  3 = 208-230/60/3                  4 = 460/60/3                  W = 575/60/3</p> <p><b>Digit 9 – Unit Controls</b>                  E = Electromechanical                  R = ReliaTel™ Microprocessor</p> <p><b>Digit 10 – Heating Capacity</b>  <i>Note: Applicable to Digit 1, T or W models only</i>                  0 = No Electric Heat                  C = 9 kW                  G = 18 kW                  K = 27 kW                  N = 36 kW                  P = 54 kW  <i>Note: Applicable to Digit 1, D or Y models only</i>                  L = Low Heat                  M = Medium Heat                  H = High Heat                  X = Low Heat, Stainless Steel Heat Exchanger                  Y = Medium Heat, Stainless Steel Heat Exchanger                  Z = High Heat, Stainless Steel Heat Exchanger</p>	<p><b>Digit 11 – Minor Design Sequence</b>                  A = First Sequence</p> <p><b>Digits 12, 13 – Service Sequence</b>                  ** = Factory Assigned</p> <p><b>Digit 14 – Fresh Air Selection</b>                  0 = No Fresh Air                  A = Manual Outside Air Damper 0-50%                  B = Motorized Outside Air Damper 0-50%                  C = Economizer, Dry Bulb 0-100% without Barometric Relief                  D = Economizer, Dry Bulb 0-100% with Barometric Relief                  E = Economizer, Reference Enthalpy 0-100% without Barometric Relief                  F = Economizer, Reference Enthalpy 0-100% with Barometric Relief                  G = Economizer, Comparative Enthalpy 0-100% without Barometric Relief                  H = Economizer, Comparative Enthalpy 0-100% with Barometric Relief                  K = Low Leak Economizer with Barometric Relief                  M = Low Leak Economizer with Reference Enthalpy with Barometric Relief                  P = Low Leak Economizer with Comparative Enthalpy with Barometric Relief</p> <p><b>Digits 15 – Supply Fan/Drive Type/Motor</b>                  0 = Standard Drive                  1 = Oversized Motor                  6 = Single Zone VAV                  7 = Multi-Speed Indoor Fan                  E = Multi-Zone Variable Air Volume</p> <p><b>Digit 16 – Hinged Service Access/Filters</b>                  0 = Standard Panels/Standard Filters                  A = Hinged Access Panels/Standard Filters                  B = Standard Panels/2" MERV 8 Filters                  C = Hinged Access Panels/2" MERV 8 Filters                  D = Standard Panels/2" MERV 13 Filters                  E = Hinged Access Panels/2" MERV 13 Filters</p>	
		<p>1 of 2</p>

