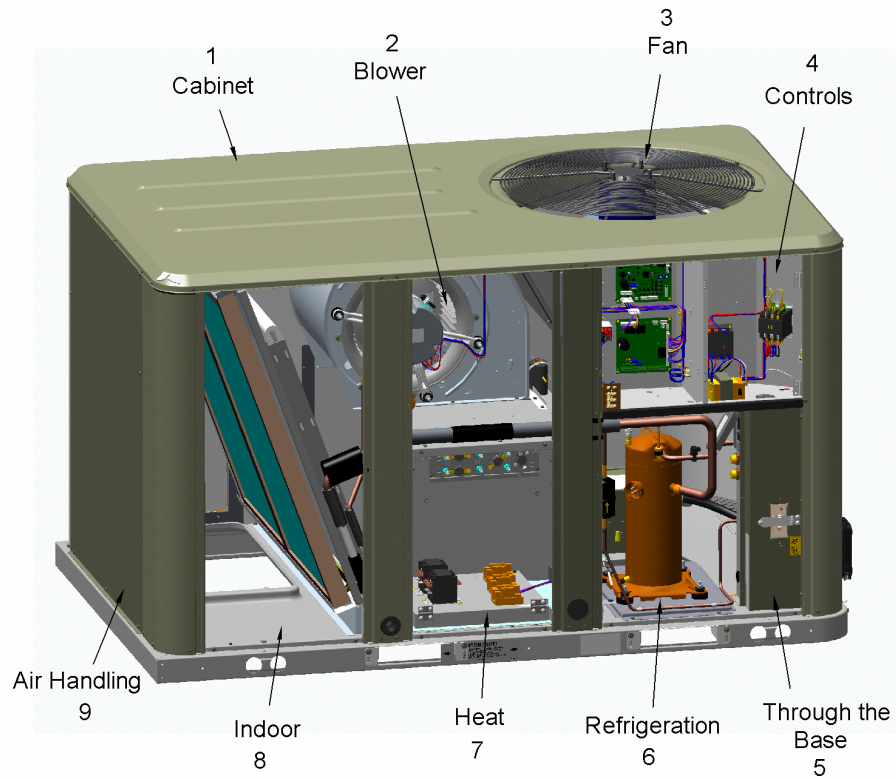


PACKAGED COOLING / HEAT PUMP

75011213

REV.  
A

The sections that appear on this illustration are for all options.  
Sections and options will appear in the Parts List if ordered with the unit.



This is a typical illustration. The unit in the field may not appear exactly as shown.

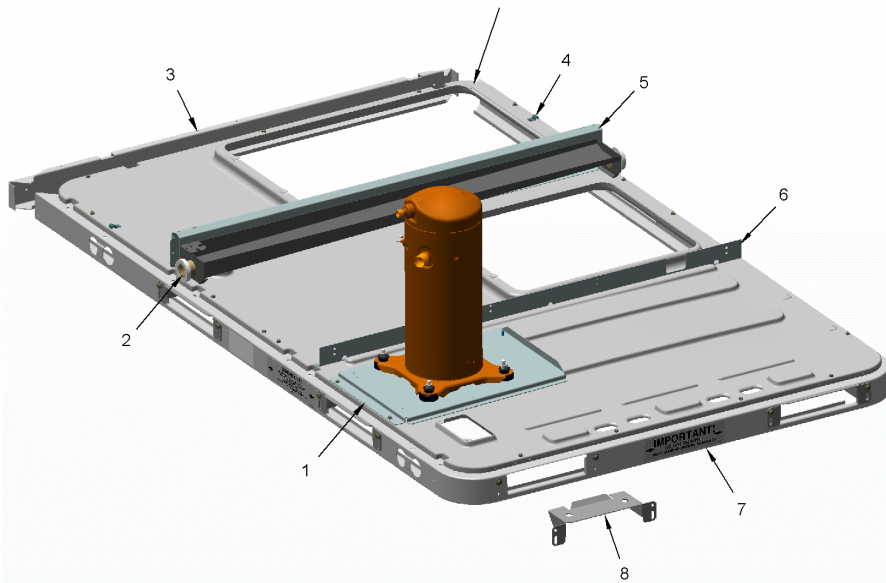
Part No.	Reference No.	Quantity	Description
75011720	1		UNIT BASE COMPONENTS
75011208	2		BLOWER
75011210	3		FAN
75011726	4		CONTROL PANEL
75010594	5		THROUGH THE BASE ELECTRICAL
75010620	6		OUTDOOR AIR SENSOR
75011725	6		REFRIGERATION - COMPRESSOR, OUTDOOR COIL
75011722	8		INDOOR COIL / FILTERS
75011851	10		HARNESS - COMMON CONTROLS
75011857	10		HARNESS - CONTROLS WITH CTS
75012174	10		HARNESS - IDM ADAPTER, 575V TRANSFORMER
75011723	10		HARNESS - OPTIONS
75011858	10		HARNESS - POWER & CONTROLS, DIRECT DRIVE MOTOR
75011850	10		HARNESS - POWER
75011855	10		TERMINAL BLOCK - CONTROLS (CTB)
OPTIONS	11		OPTIONAL FIELD INSTALLED ACCESSORIES
75011717	12		MODEL NUMBER DESCRIPTION, DIGITS 1 - 17
75011718	12		MODEL NUMBER DESCRIPTION, DIGITS 18 - 31
75011719	12		MODEL NUMBER NOTES

UNIT BASE COMPONENTS

75011720

REV.  
A

Unit Base Pan not available - not recommended as a replaceable part



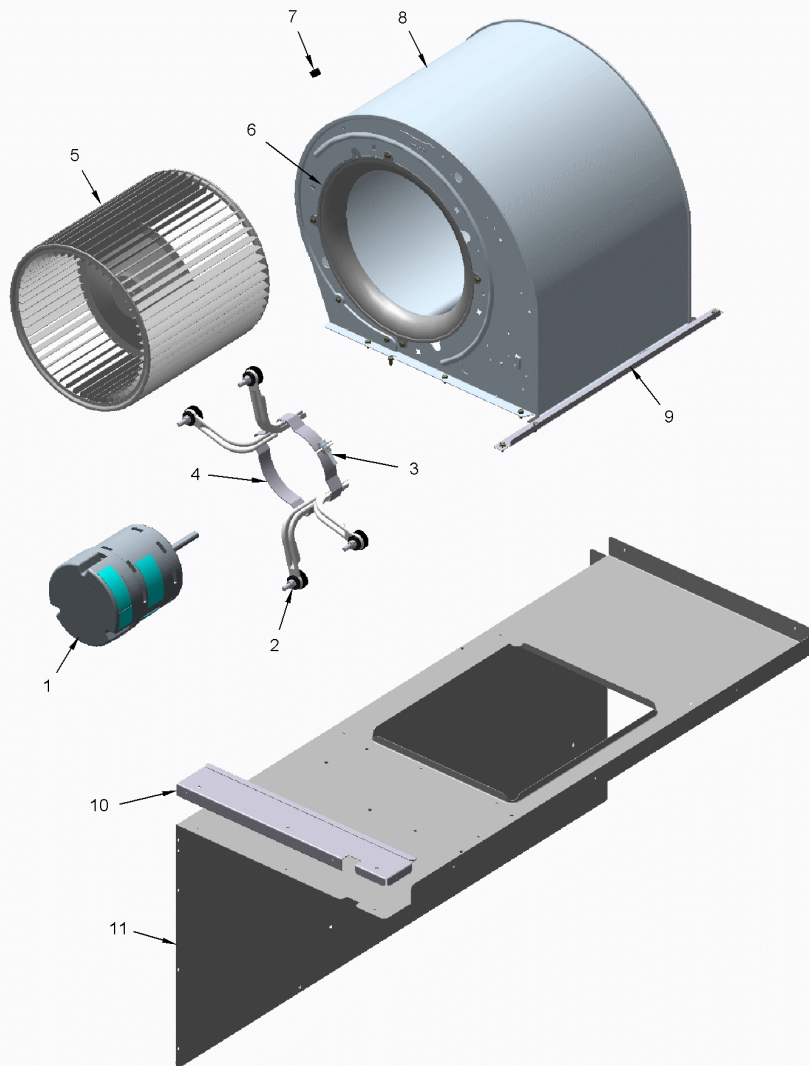
This is a typical illustration. The unit in the field may not appear exactly as shown.

<b>Part No.</b>	<b>Reference No.</b>	<b>Quantity</b>	<b>Description</b>
PLT04187	1	1	PLATE; COMPRESSOR MOUNTING, 17.0 X 11.0
RAL00874	3	1	RAIL; END, 44.0 LENGTH
CLP01008	4	2	NO DESCRIPTION AVAILABLE
CNL01178	5	1	CHANNEL; INDOOR COIL SUPPORT, 42 INCH LENGTH
ANG01323	6	1	ANGLE; TOGGLE LOCK, 41.93 X 1.80
BRK03274	8	4	BRACKET; BASE SUPPORT MOUNT, 10.3 LENGTH (FORKLIFT BRACKET)

BLOWER

75011208

REV.  
A



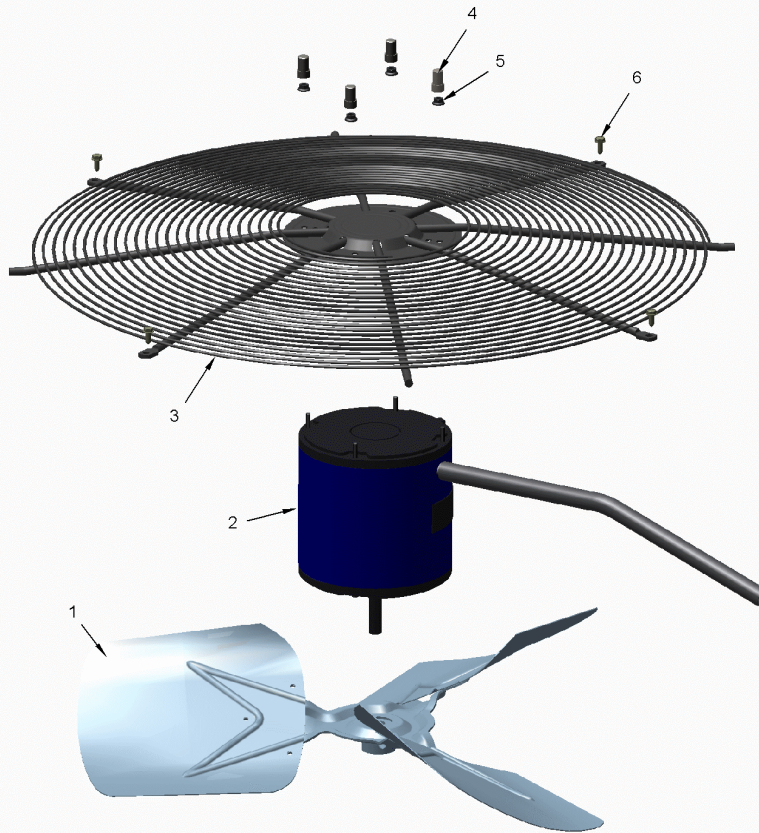
This is a typical illustration. The unit in the field may not appear exactly as shown.

Part No.	Reference No.	Quantity	Description
SCR01623	*	14	SCREW; SHEET METAL, 10-16 UNC X 1/2, HIGH TORQUE, INDENT HEX-WASHER HEAD
BRK03657	2	4	BRACKET; MOTOR ARM, INCLUDES GROMMET. (CONTAINS A QTY OF 4 BRACKETS)
NUT00355	2	4	NUT; HEX, LOCK, 5/16IN.-18
NUT00446	3	1	NUT; 0.31-18, HEX FLANGE-LOCK
BRK03232	4	1	BRACKET; MOTOR MOUNTING, 17.6 LENGTH (4 LEG)
WHL02168	5	1	WHEEL; FAN, 11.87 DIA X 11.93 W, .50 BORE, CCW, CONCAVE. INCLUDES 5/16-18 X 1/2 INCH SQH CUP PT SET SCREW.
ORF01304	6	1	ORIFICE; INLET RING, 10.38 ID
BUS00485	7	1	BUSHING; .62 MTG W/MAX .44 ID
HUS03676	8	1	HOUSING; BLOWER, 11 X 11
BRK04715	9	1	BRACKET; INDOOR FAN, 22.00L X 0.90W X 0.50H
BRK04716	10	1	BRACKET; FAN ACCESS PANEL, 17.13L X 3.16W X 1.0H
PNL33591	11	1	PANEL; HEAT WRAPPER, 42.23L X 19.00W X 19.25H, 14.63 X 12.18 OPENING

FAN

75011210

REV.  
A



This is a typical illustration. The unit in the field may not appear exactly as shown.

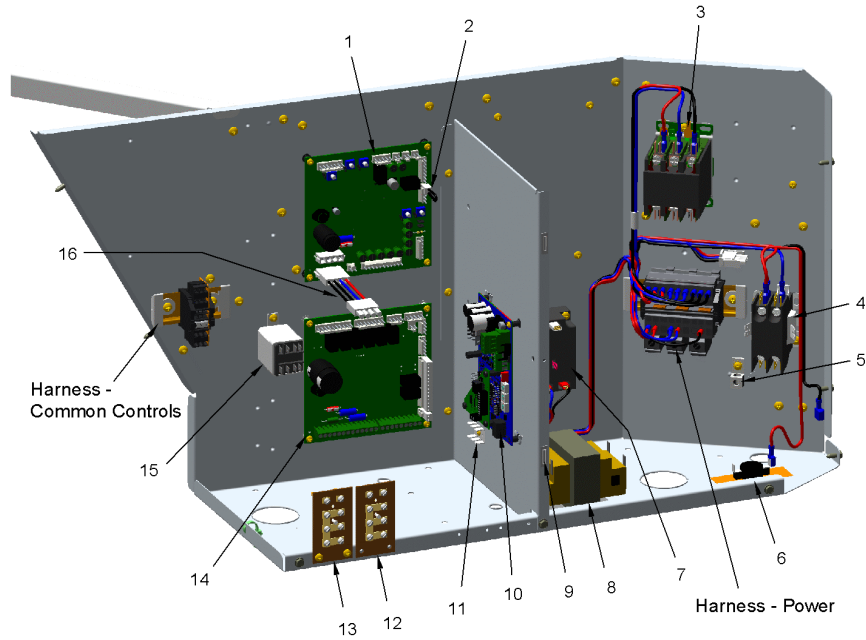
<b>Part No.</b>	<b>Reference No.</b>	<b>Quantity</b>	<b>Description</b>
FAN05568	1	1	PROPELLER; OD FAN - 22 INCH 3 BLADES
MOT17286	2	1	MOTOR; 3 PHASE 1/3 HP 575
GRL01332	3	1	GRILLE; FAN, 26.65 MTG HOLE DIAMETER
IRT00017	4	4	INSERT; BUMPER-STOP, 0.468 OD X 0.81 LG, BLACK RUBBER
NUT00845	5	4	NUT; FLANGE NIBBED
SCR01623	6	4	SCREW; SHEET METAL, 10-16 UNC X 1/2, HIGH TORQUE, INDENT HEX-WASHER HEAD

CONTROLS

75011726

REV.  
A

The Parts that appear on this illustration are for all options.  
Parts will appear in the Parts List if ordered with the unit.



This is a typical illustration. The unit in the field may not appear exactly as shown.

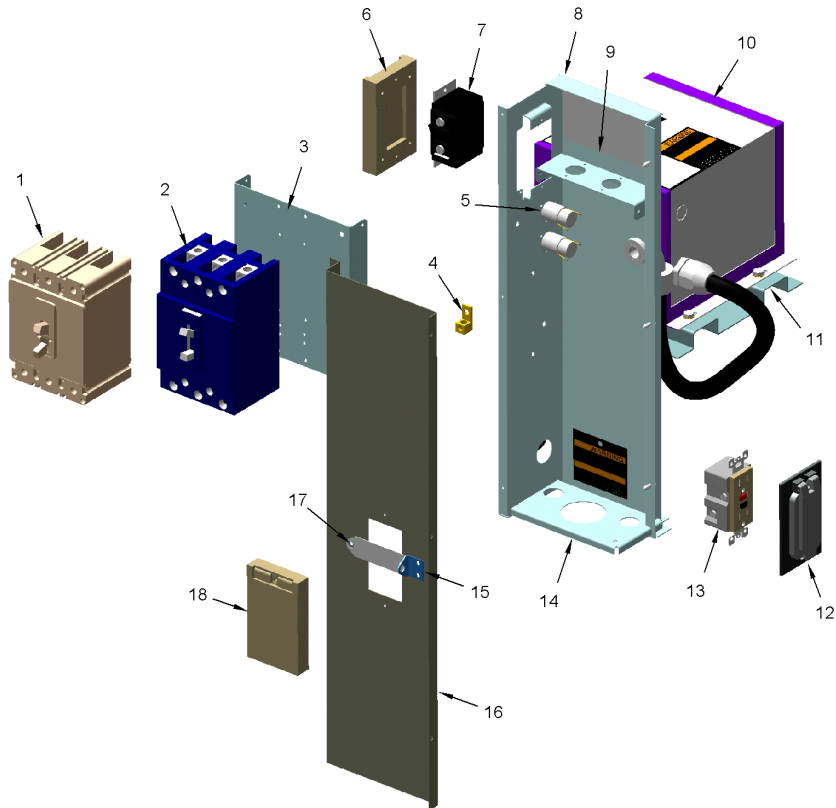
Part No.	Reference No.	Quantity	Description
CTR01870	3	1	CONTACTOR; 3 POLE, 30 FLA, W/O LUGS, 50/60 HZ, 24V COIL
CTR01203	4	1	CONTACTOR; 2P, 30A, 24V COIL, 30 FLA AT 277V
CON00077	5	1	CONNECTOR, ELECTRIC GROUND, 14-2 AWG SOLDERLESS
CNT01405	6	1	CONTROL; TEMP, OPEN 65F, CLOSE 55F, SPST
CNT05176	7	1	CONTROL; MONITOR, 3-PHASE LINE, UNIVERSAL 180-632 VAC, PHASE AND LOSS REVERSAL
TRR00826	8	1	TRANSFORMER; 75 VA, 460-575V PRI, 24V SEC
CAT00043	9	2	CATCH; MAGNETIC SNAP-IN
TER01680	11	1	TERMINAL STRIP; .25IN. FASTON
BLK00940	13	1	BLOCK; 6 TERMINALS (LVTB)
MOD02511	14	1	MODULE; RELIATEL REFRIGERATION DUAL CIRCUIT COOL/HP
RLY03065	15	1	RELAY; DPDT, 5 AMPS AT 120/277 VAC, 24 VAC COIL, 750 RMS, COIL CLASS F

CONTROLS  
THROUGH THE BASE  
TYPICAL ILLUSTRATION

75010594

REV.  
A

The parts that appear on this illustration are for all options.  
Parts will appear in the Parts List if ordered with the unit.



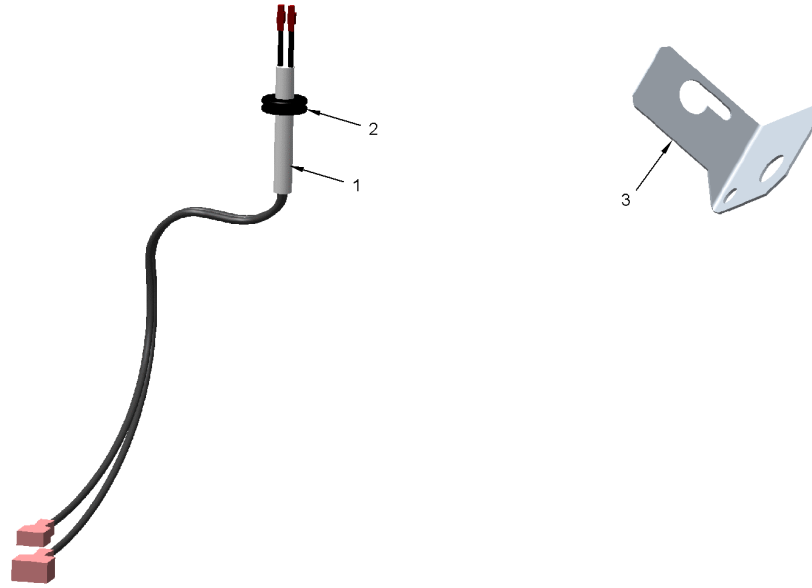
Part No.	Reference No.	Quantity	Description
BUS00465	*	1	BUSHING; SNAP, BLACK UNIVERSAL, 1.093 MOUNTING HOLE
CON00490	*	1	CONNECTOR; 0.50 NOM STR
WIR06538	*	1	WIRE; HARNESS - INDOOR MOTOR TRANSFORMER (TNS3), 53 IN LENGTH, BU BK WIRES, 33A,34B,49A,50A, 14 AWG
PNL13077	4	1	PANEL; TBUE, CONDUIT CONN, 5.4 X 3.5
FUS02239	5	2	MIN=10/10 FUSE; TIME DELAY, CLASS CC, 5.6 AMPS, 600V
HLD00159	5	2	HOLDER; FUSE
PNL24293	8	1	PANEL; ENCLOSURE, TBUE, 20.42 HT
BRK03707	9	1	BRACKET; TRANSFORMER FUSE HOLDER, 5.51 X 1.80
TRR02551	10	1	TRANSFORMER; AUTO, BALANCED, 575V PRI, 240V SEC, 60 HZ, 2KVA, CLASS 1
MNT01716	11	1	MOUNT; TRANSFORMER, 9.8 X 8.7
PNL13075	16	1	PANEL; FRONT, POWER DISCONNECT, 20.42 X 5.00

OUTDOOR AIR SENSOR

75010620

REV.  
A

TYPICAL ILLUSTRATION

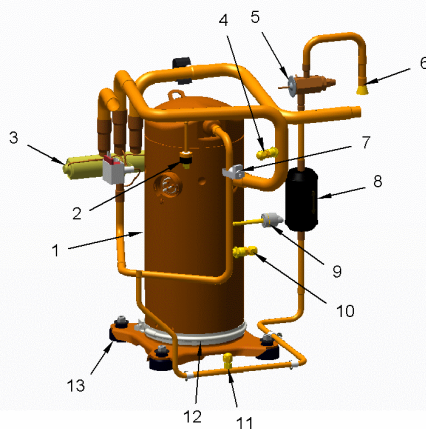
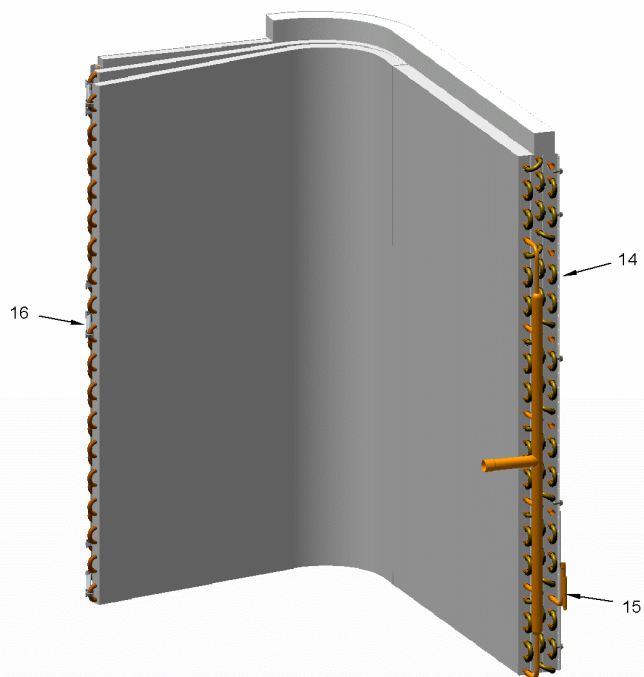


<b>Part No.</b>	<b>Reference No.</b>	<b>Quantity</b>	<b>Description</b>
SCR01623	*	4	SCREW; SHEET METAL, 10-16 UNC X 1/2, HIGH TORQUE, INDENT HEX-WASHER HEAD
SEN00275	1	1	SENSOR; THERMISTOR PROBE, -40 DEG C TO 65 DEG C, 12 INCH STRIPPED LEADS
GRM00039	2	1	GROMMET; RUBBER .25 ID X .05 GRV MLD
BRK04441	3	1	BRACKET; OUTDOOR AIR SENSOR

REFRIGERATION

75011725

REV.  
A



This is a typical illustration. The unit in the field may not appear exactly as shown.

Parts List Number :WSCUP9

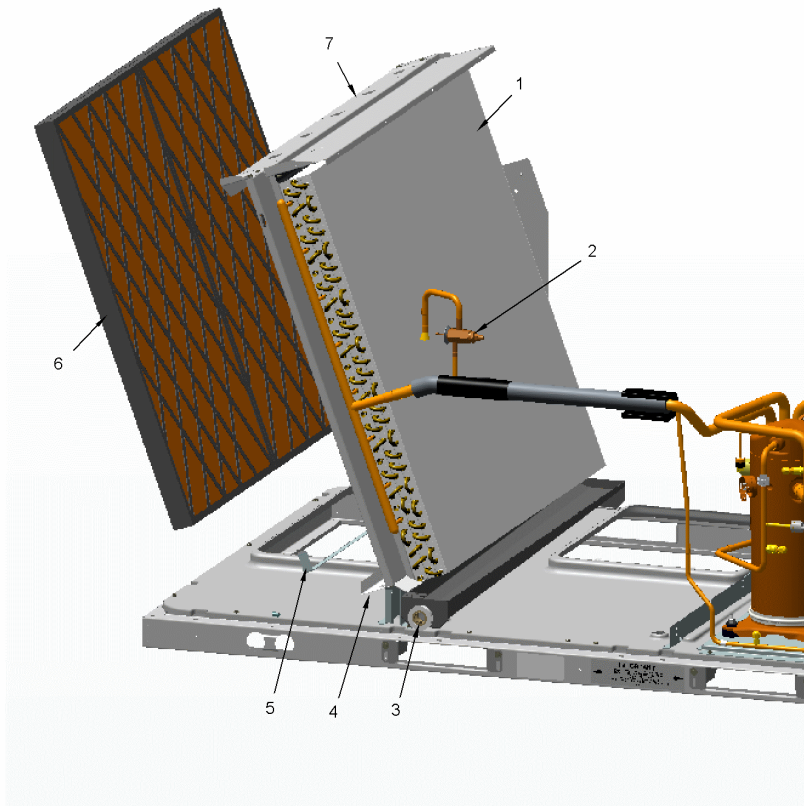
Model Number :WSC048HWR0A001S

Part No.	Reference No.	Quantity	Description
CLP00296	*	1	CLIP; TXV BULB, 7/8 INCH
WIR03437	*	1	WIRE; HARNESS, COMPRESSOR, 14 AWG, CC1, 46 IN LENGTH (3 WIRE-RK,BL,BK)
COM10039	1	1	COMPRESSOR; SCROLL; ALLIANCE; 575V/60/3, STUB TUBE, R-410A, RED
SWT03173	2	1	SWITCH; LOW PRESSURE CUTOUT, 250 OPEN, ACTUATION PRESSURE 41 +/- 4, RESET PRESSURE 25 +/- 4
VAL08359	3	1	VALVE; REVERSING, 6 TON, .88 ODF X .63 ODF. INCLUDES 24V SOLENOID COIL - COL12849
CAP00072	4	1	CAP; VALVE, SEAL, .25 FFL
SET00819	4	1	SEAT; SADDLE MOUNT ASSEMBLY
STM00803	4	1	STEM; SADDLE MOUNT, VALVE CORE, BRASS, .344 DIA X 1.29 SCHRAEDER TYPE FITTING (TO INCLUDE 5 PIECES)
VAL12711	5	1	VALVE; TEV HXCE 6 KX200 R410A
THT02805	7	1	THERMOSTAT; WITH CLIP, .5/.625 TUBE, 38 IN, BLACK WIRES, SPST, 230F OPEN, 180F CLOSE
DHY01451	8	1	DRIER; BI-FLOW; SERVICE FIRST; 8 CU. IN; DCB083S, 3/8 ODF CONNECTIONS; 2.3 TON CAPACITY; APPROVED FOR MINERAL OIL AND POE OIL REFRIGERANTS; MANUFACTUR
SWT03398	9	1	SWITCH; HIGH PRESSURE, BRAZED, OPENS AT 650 PSIG, CLOSSES AT 550 PSIG, 36 INCH WHITE LEADS
CAP00072	10	1	CAP; VALVE, SEAL, .25 FFL
SET00819	10	1	SEAT; SADDLE MOUNT ASSEMBLY
STM00803	10	1	STEM; SADDLE MOUNT, VALVE CORE, BRASS, .344 DIA X 1.29 SCHRAEDER TYPE FITTING (TO INCLUDE 5 PIECES)
CAP00072	11	1	CAP; VALVE, SEAL, .25 FFL
COR00006	11	1	CORE; VALVE PORT, .79 LENGTH, .206-36 UNS 2A THD
VAL01483	11	1	VALVE; BODY, .44-20 THD X .25 ODS, STRAIGHT, BRASS, LESS CORE
HTR10244	12	1	HEATER; CRANKCASE, 40W, 575V, (32W AT 460V) 18AWG W/2 LEADS - ONE IS 65" LG W/ 1/4 INSUL FEMALE QC - ONE IS 65" LG W/ 1/4 UNINSUL FEMALE QC
ISR00007	13	4	ISOLATOR; VIBRATION
NUT00355	13	4	NUT; HEX, LOCK, 5/16IN.-18
HLD00255	15	1	HOLDER; THERMISTOR
KIT15254	16	6	KIT; OUTDOOR COIL CLIPS, BLACK PLASTIC, 3.878 LENGTH (PACKAGE OF 6 CLIPS)

INDOOR COIL / FILTERS

75011722

RP  
A



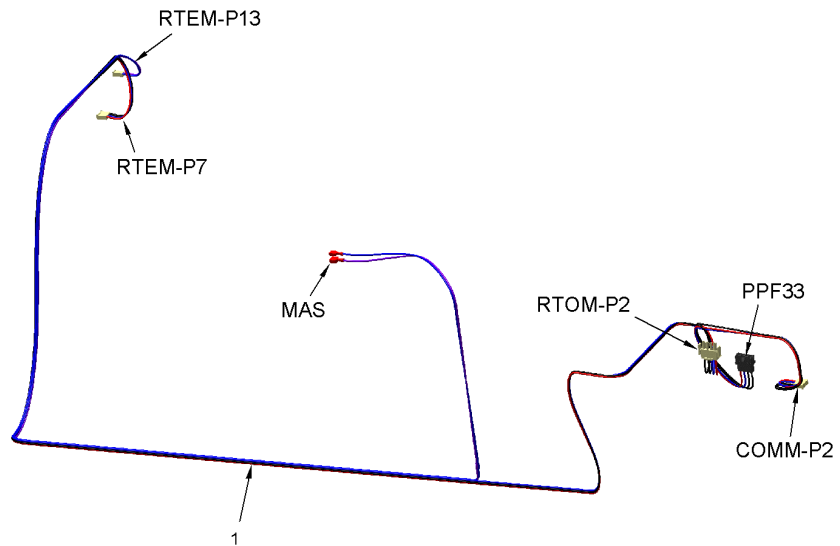
This is a typical illustration. The unit in the field may not appear exactly as shown.

<b>Part No.</b>	<b>Reference No.</b>	<b>Quantity</b>	<b>Description</b>
CLP01072	*	1	CLIP; BULB (BLUE), 3/4 OD TUBE
COL27853	1	1	COIL; INDOOR, FLAT FIN, 37.00 L X 34.00 H, 3 ROW (TXV NOT INCLUDED)
VAL12711	2	1	VALVE; TEV HXCE 6 KX200 R410A
BOF02426	4	1	BLOCKOFF; ID COIL - BOTTOM
TOL05032	5	1	TOOL; FILTER REMOVAL
BOF02427	7	1	BLOCKOFF; TOP, 006-015

OPTIONS HARNESS

75011723

REV.  
A



This is a typical illustration. The unit in the field may not appear exactly as shown.

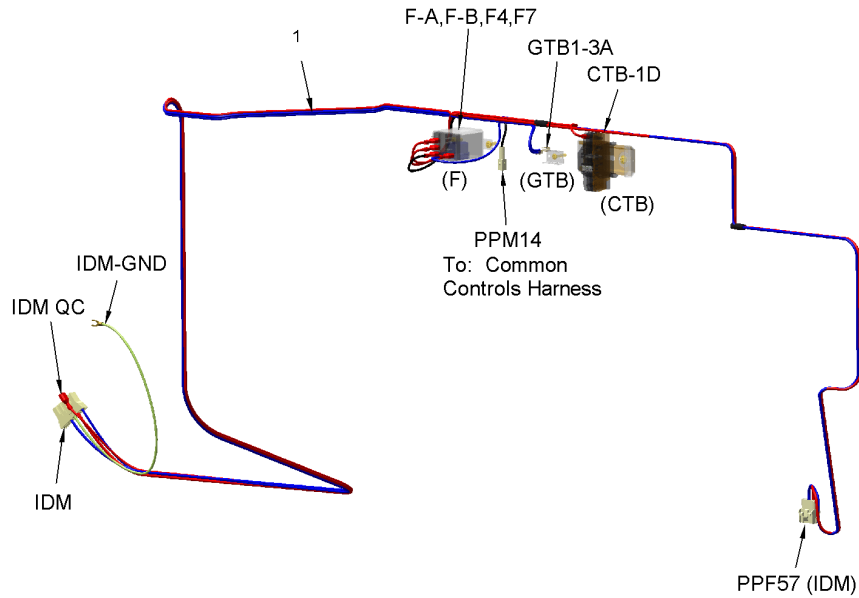
Part No.	Reference No.	Quantity	Description
WIR08181	1	1	WIRE; HARNESS, OPTIONS - COMM-J2 TO RTOM-J1, RTEM TO MAS, RTEM TO RTOM-J2

POWER & CONTROLS, MOTOR HARNESS

75011858

REV  
A

Relay, GTB or CTB not included with Harness.



This is a typical illustration. The unit in the field may not appear exactly as shown.

Parts List Number :WSCUP9

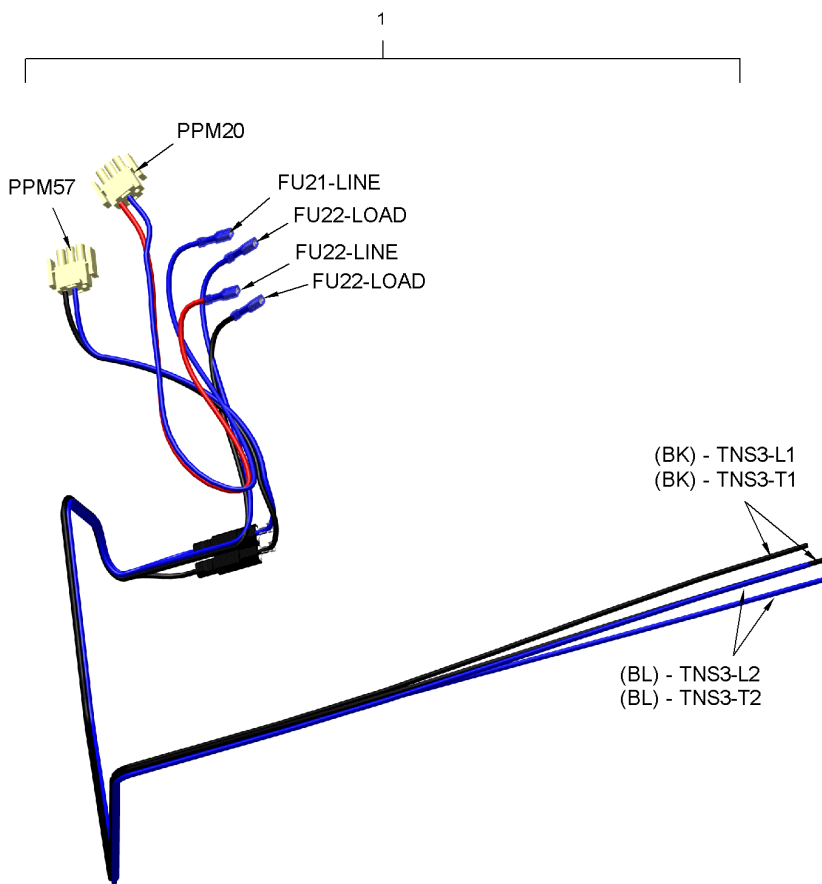
Model Number :WSC048HWR0A001S

Part No.	Reference No.	Quantity	Description
WIR08688	1	1	WIRE; HARNESS; POWER & CONTROLS; DD MOTOR; CONSTANT TORQ; F CAB

HARNESS - IDM ADAPTER - TNS3

75012174

REV  
A



This is a typical illustration. The unit in the field may not appear exactly as shown.

Parts List Number :WSCUP9

Model Number :WSC048HWR0A001S

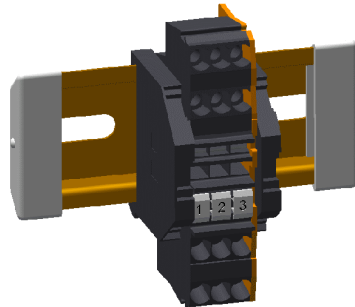
<b>Part No.</b>	<b>Reference No.</b>	<b>Quantity</b>	<b>Description</b>
CON00486	*	2	CONNECTOR; PLUG HOUSING, 3 PIN MALE
TER00315	*	4	TERMINAL; .25 INSUL. FASTON
WIR08682	1	1	WIRE; HARNESS; IDM ADAPTER - 575V TRANSFORMER

TERMINAL BLOCK - CONTROLS (CTB)

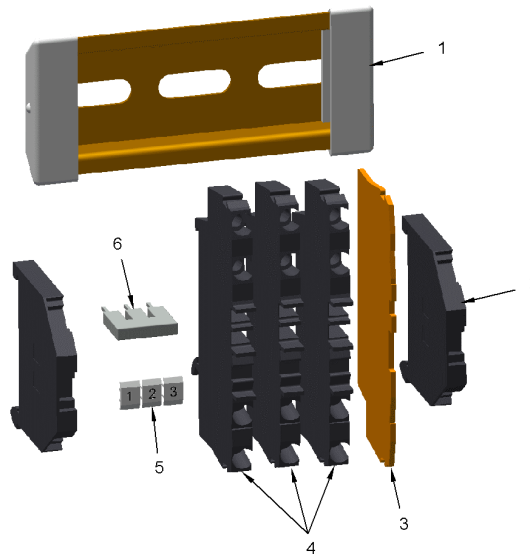
75011855

REV.  
A

This assembly is a component of the Common Controls Harness

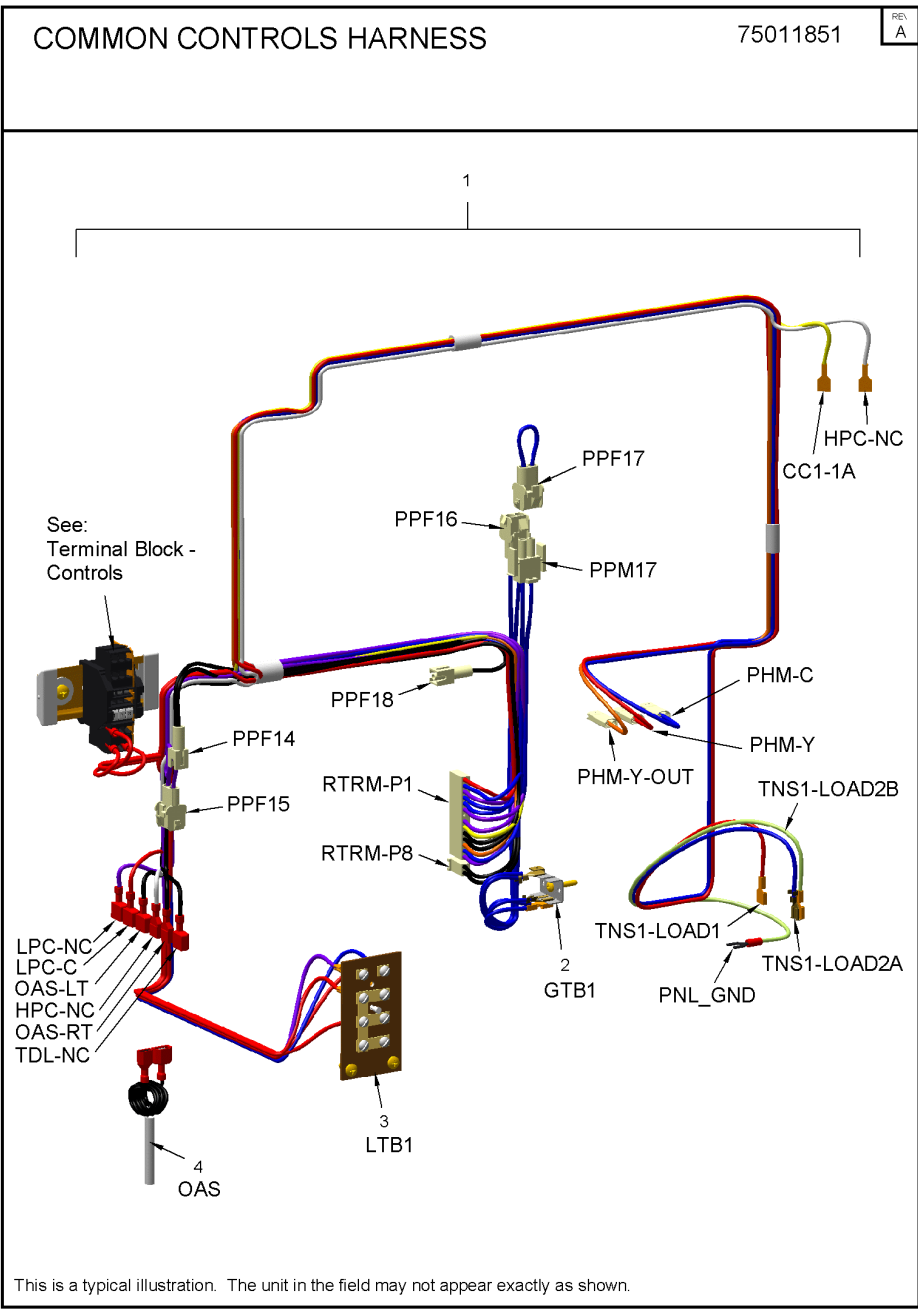


Reference - complete assembly

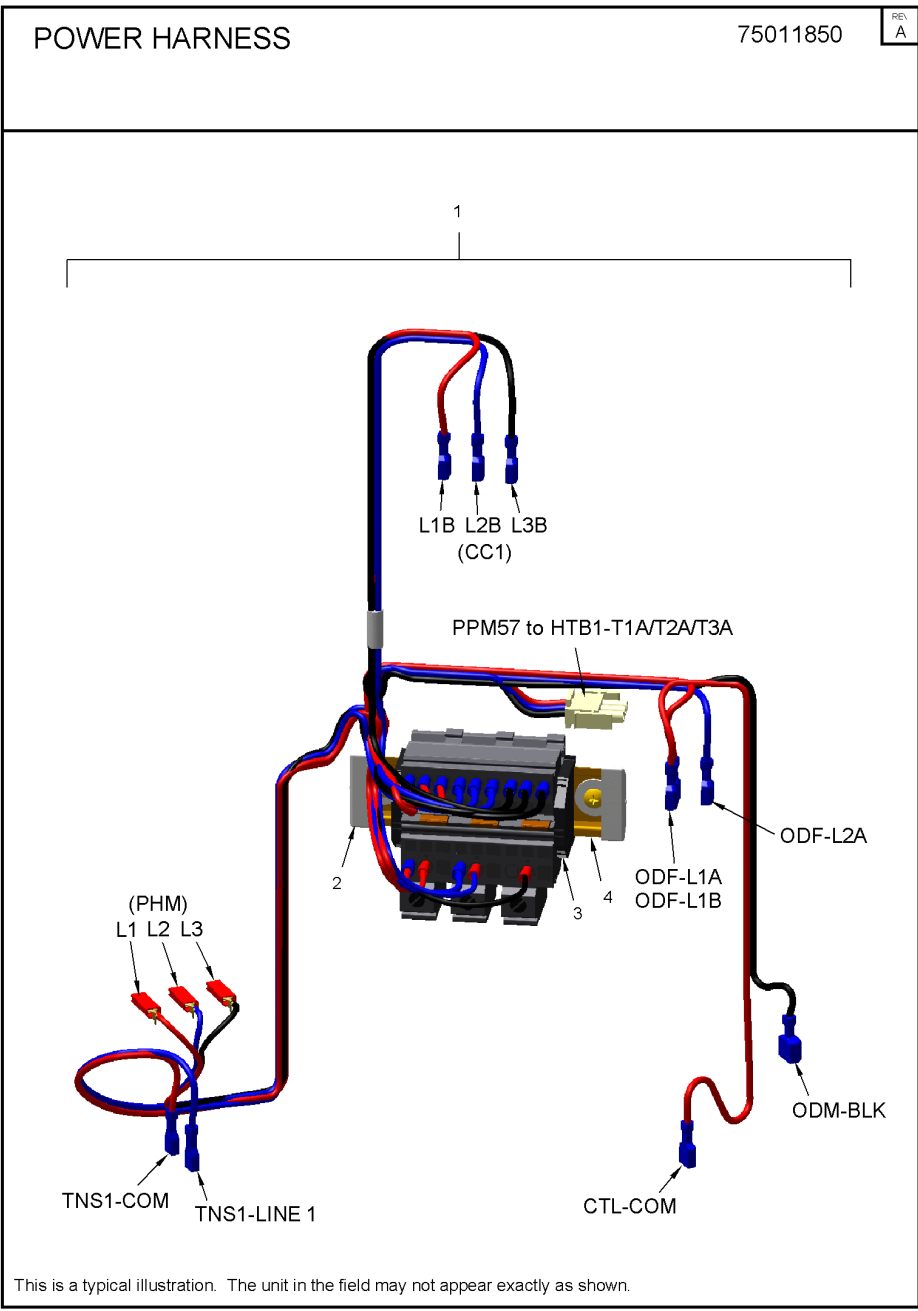


This is a typical illustration. The unit in the field may not appear exactly as shown.

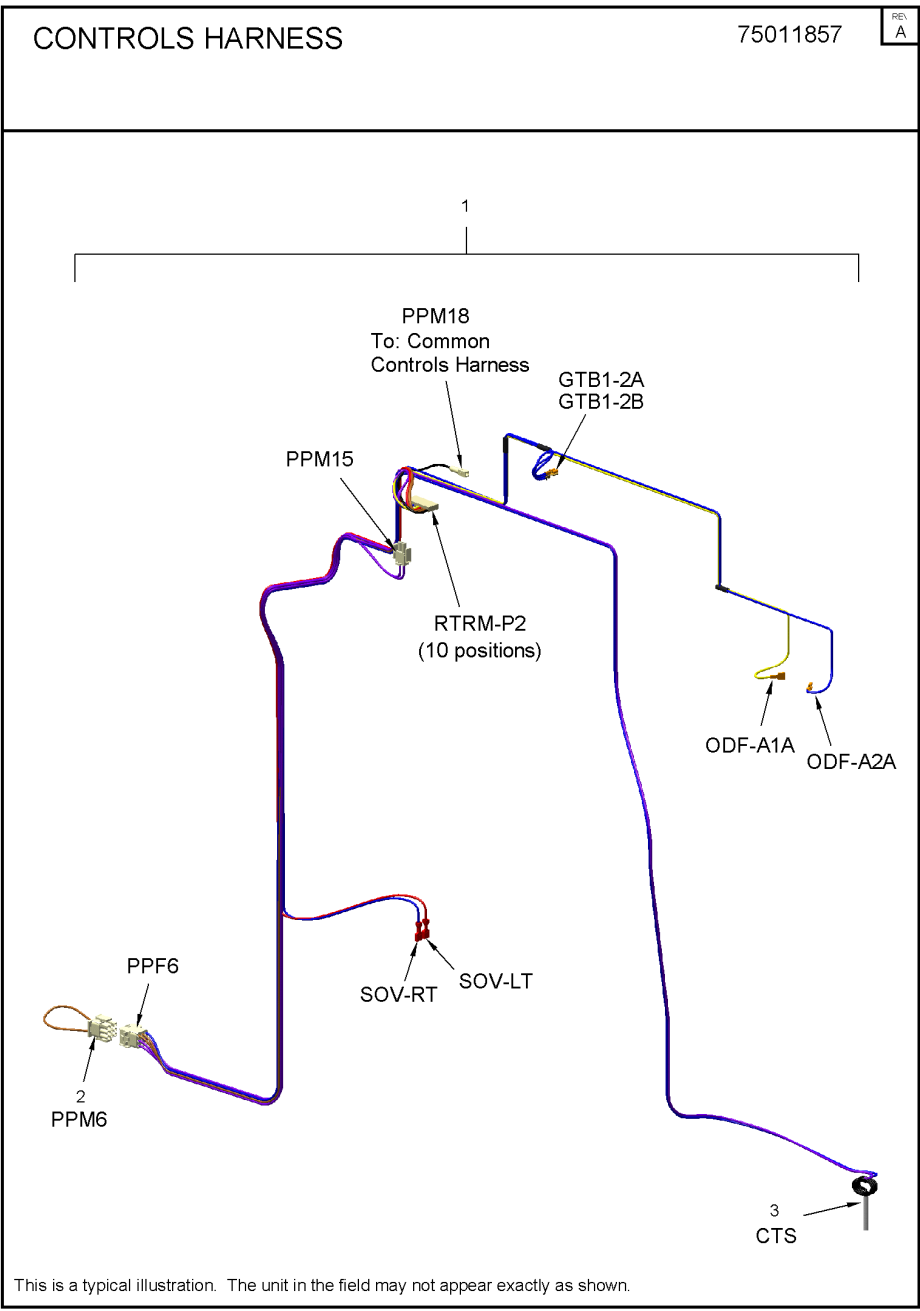
<b>Part No.</b>	<b>Reference No.</b>	<b>Quantity</b>	<b>Description</b>
CAP00251	1	2	CAP; TUBE
TER01332	2	2	TERMINAL; BLOCK, END STOP
PLT04051	3	1	PLATE; 4 CONDUCTOR POLE END PLATE
TER01334	4	3	TERMINAL; BLOCK, 4 CONDUCTOR POLE 20A 600V
TER01351	5	1	TERMINAL; BLOCK, POLE MARKING 1-10 VERT
TER01354	6	1	TERMINAL; BLOCK, 3 POLE JUMPER



<b>Part No.</b>	<b>Reference No.</b>	<b>Quantity</b>	<b>Description</b>
WIR08679	1	1	WIRE; HARNESS; COMMON CONTROLS; F CAB
TER01680	2	1	TERMINAL STRIP; .25IN. FASTON
BLK00940	3	1	BLOCK; 6 TERMINALS (LVTB)
SEN01829	4	1	SENSOR; THERMISTOR PROBE, -40 TO 65C, .25 DIA X 1.75 LG W/26" PVC LEADS-INSUL QC



<b>Part No.</b>	<b>Reference No.</b>	<b>Quantity</b>	<b>Description</b>
WIR08685	1	1	HARNESS - POWER, INCLUDES HTB1
CAP01251	2	2	CAP; PROTECTIVE FORM CAP
TER01332	3	2	TERMINAL; BLOCK, END STOP
RAL01169	4	1	RAIL; DIN TERMINAL BLOCK, 35MM, 5.00 LG



<b>Part No.</b>	<b>Reference No.</b>	<b>Quantity</b>	<b>Description</b>
WIR05212	*	1	WIRE; HARNESS, COIL TEMP SENSOR (CTS), 77 IN L, 162C(PR),163C(BU)
WIR08681	1	1	WIRE; HARNESS, CONTROLS, INCLUDES CTS-SEN00275 & WIR08179
WIR08179	2	1	WIRE; HARNESS, NO HEAT CONFIGURATION - RELIATEL CONTROLS
SEN00275	3	1	SENSOR; THERMISTOR PROBE, -40 DEG C TO 65 DEG C, 12 INCH STRIPPED LEADS

Parts List Number :WSCUP9

Model Number :WSC048HWR0A001S

Part No.	Reference No.	Quantity	Description
BAYBCIR001A	*	1	KIT; FIELD INSTALLED BCI (BAYBCIR001A)
BAYCO2K003B	*	1	KIT; CO2 DEMAND-CONTROLLED VENTILATION DUCT SENSOR (A RELIATEL ECONOMIZER MODULE WITH DCV CONNECTIONS MUST BE USED WITH THIS KIT)
BAYDMPR051A	*	1	DAMPER; RELIATEL, 0-50 PERCENT MOTORIZED OUTSIDE AIR DAMPER (BAYDMPR051A)
BAYDMPR053B	*	1	DAMPER; 0-50% MANUAL OUTSIDE AIR DAMPER (BAYDMPR053BA)
BAYECON085A	*	1	ECONOMIZER; RELIATEL, 0-100 PERCENT DRY BULB (BAYECON085A)
BAYECON705B	*	1	ACCESSORY; LOW LEAK ECONOMIZER, FOR B/F CABINETS WITH RELIATEL (SEE ACC-SVN177* FOR MODELS) CONTROLS
BAYGARD137A	*	1	ACCY; PRECEDENT HAIL GUARD
BAYHTREW06C	*	1	HEATER; 6.0 KW 600/60/3
BAYHTREW12C	*	1	HEATER; 12.0 KW 600/60/3
BAYHTREW18C	*	1	HEATER; 17.4 KW 600/60/3
BAYHTRYW17A	*	1	HEATER; 17.4 KW 600/60/3
BAYICSI003A	*	1	BOARD; ACCESSORY, RELIATEL COMMUNICATIONS INTERFACE BOARD (BAYICSI003AD)
BAYLOAM020B	*	1	CONTROL; EVAPORATOR DEFROST KIT (FROSTAT) (BAYLOAM020BB). (OPTIONS BOARD KIT09433-BAYABRD001CA MUST BE INSTALLED IN THE UNIT FOR THIS ACCESSORY TO OPE
BAYLTCI002B	*	1	KIT; RELIATEL COMMUNICATIONS INTERFACE THAT INCORPORATES LONTALK PROTOCOL (BAYLTCI002BB)
BAYPWRX072A	*	1	POWER EXHAUST, 575V, FOR 3-5 TON T/W/YSC & D/T/W/YHC
BAYQACB010A	*	1	CURB; ADAPTA CURB (BAYQACB010AA), TRANSITIONS BAYCURB022B, 77.625 X 46.875
BAYQACB500A	*	1	ADAPTOR CURB KCC-330
BAYRTEM001A	*	1	RELIATEL ECONOMIZER LOGIC MODULE
BAYTUBE105A	*	1	KIT; DISCHARGE AIR SENSING, ELECTRIC HEAT, F CAB
CRB00170	*	1	CURB; ADAPTA CURB (BAYQACB009AA), TRANSITIONS BAYCURB021B, 78.125 X 43.875
CRB00175	*	1	CURB; ROOFCURB (BAYCURB042AB)
DMP02839	*	1	DAMPER; BAROMETRIC RELIEF (BAYBARM010AB)
KIT09433	*	1	KIT; ACCESSORY, OPTIONS BOARD (BAYABRD001CA)
KIT13697	*	1	HEATER; ACCESSORY, CRANKCASE, 460/575V (BAYCCHT011BB)
KIT13704	*	1	KIT; FAN FAILURE SWITCH (BAYDFPS004AB). (OPTIONS BOARD KIT09433-BAYABRD001CA MUST BE INSTALLED IN THE UNIT FOR THIS ACCESSORY TO OPERATE).
KIT13711	*	1	KIT; VENTILATION OVERRIDE (BAYVNOR001BB) (OPTIONS BOARD KIT09433-BAYABRD001CA MUST BE INSTALLED IN THE UNIT FOR THIS ACCESSORY TO OPERATE).
KIT15159	*	1	KIT; CO2 SENSING (BAYCO2K001B)
KIT15161	*	1	KIT; REFERENCE ENTHALPY (BAYENTH005A)
KIT15162	*	1	KIT; COMPARATIVE ENTHALPY (BAYENTH006B)
KIT17430	*	1	KIT17430; TD5 DISPLAY UPGRADE PRECEDENT LIGHT COMMERCIAL
PLT03127	*	1	PLATE; COMBINED MOUNTING PLATE AND ADAPTER PLATE (BAYMTPL003BA)
PLT04561	*	1	PLATE; WALL COVER PLATE ASSEMBLY (BAYMTPL110A)
SEN00278	*	1	SENSOR; THERMISTOR PROBE, -40 DEG C TO 65 DEG, STRIPPED LEADS (BAYSENS016AA)
SEN01379	*	1	SENSOR; TEMPERATURE, RETURN AIR - DUCT (BAYSTAT059AA)
SEN01447	*	1	SENSOR; ZONE, ROOM SENSOR W/TEMP. ADJUSTMENT WITH OVERRIDE AND CANCEL BUTTONS, 10K, DIAL, OCCUPIED (BAYSENS074AA)
SEN01448	*	1	SENSOR; ZONE, REMOTE ROOM SENSOR, 10K (BAYSENS077AA)
SEN01513	*	1	SENSOR; ZONE; DUAL SETPOINT MANUAL OR AUTO CHANGOVER, TWO SET FAN SYSTEM (BAYSENS108AA)
SEN01515	*	1	SENSOR; ZONE SINGLE SETPOINT MANUAL CHANGOVER, SET FAN SYSTEM, COOL/OFF/HEAT (BAYSENS106A)
SEN01522	*	1	SENSOR; ZONE, DUAL SETPOINT MANUAL OR AUTO CHANGOVER W/SYSTEM FUNCTION LIGHTS TWO SET FAN SYSTEM, LED (BAYSENS110A)

Part No.	Reference No.	Quantity	Description
SEN01577	*	1	SENSOR; PROGRAMMABLE ZONE, AUTOMATIC OR MANUAL CHANGEOVER W/ SYSTEM LIGHTS TRANE (BAYSENS119AA)
SEN01578	*	1	SENSOR; PROGRAMMABLE ZONE, AMERICAN STANDARD (ASYSTAT777AA)
SEN01579	*	1	SENSOR; CO2 SENSING KIT; WALL MOUNTED (ASYSTAT712B)
SEN01580	*	1	SENSOR; CO2 SENSING KIT; DUCT MOUNTED (ASYSTAT714B)
SEN01582	*	1	SENSOR; TEMPERATURE, OPERATING RANGE 45 TO 99F (BAYSTAT060AB)
SEN02076	*	1	SENSOR; TEMPERATURE, DISPLAY SENSOR, SETPOINT, TOV
THT00839	*	1	THERMOSTAT; REMOTE POTENTIOMETER, 60-90 DEG F (BAYSTAT023AA)
THT02239	*	1	THERMOSTAT; HIGH TEMPERATURE (BAYFRST001AA)
THT02772	*	1	THERMOSTAT, WALL MOUNT, NON-PROGRAMMABLE 1H/1C (BAYSTAT151A)
THT02773	*	1	THERMOSTAT; WALL MOUNT, NON-PROGRAMMABLE 3H/2C (BAYSTAT155A)
THT02774	*	1	THERMOSTAT; WALL MOUNT, PROGRAMMABLE 3H/2C, (BAYSTAT150AA)
THT02775	*	1	THERMOSTAT; PROGRAMABLE TOUCH SCREEN 3H/2C
TOL00099	*	1	TOOL; RESISTANCE DECADE BOX

<b>MODEL NUMBER DESCRIPTION</b>	75011717	REL A
Precedent Heat Pump		
<p><i>Example Model Number:</i></p> <p><b>WSC06 0H4 R JA0AG0C 1A2B20 1DHC100C 1</b></p> <p style="font-size: small; text-align: center;">1 - - - 5 - - - - 10 - - - - 15 - - - - 20 - - - - 25 - - - - 30 -</p>		
<p><b>Digit 1 – Unit Type</b>                  W = Packaged Heat Pump (1)                  D = Dual Fuel Heat Pump (1)</p> <p><b>Digit 2 – Efficiency</b>                  H = High Efficiency                  S = Standard Efficiency</p> <p><b>Digit 3 – Airflow</b>                  C = Convertible</p> <p><b>Digits 4,5,6 – Nominal Gross Cooling Capacity (MBh)</b>                  036 = 5 Ton                  048 = 3 Ton                  060 = 5 Ton</p> <p><b>Digit 7 – Major Design Sequence = H</b></p> <p><b>Digit 8 – Voltage Selection</b>                  3 = 208-230/60/3                  4 = 460/60/3                  W = 575/60/3</p> <p><b>Digit 9 – Unit Controls</b>                  R = ReliaTel™ Microprocessor</p> <p><b>Digit 10 – Heating Capacity</b>  <b>Note:</b> <i>Applicable to Digit 1, W models only</i>                  0 = No Electric Heat                  B = 6 kW (3 phase)                  E = 12 kW (3 phase)                  G = 18 kW (3 phase)                  J = 23 W (3 phase)  <b>Note:</b> <i>Applicable to Digit 1, D models only</i>                  L = Low Heat                  M = Medium Heat                  H = High Heat                  X = Low Heat, Stainless Steel Heat Exchanger                  Y = Medium Heat, Stainless Steel Heat Exchanger                  Z = High Heat, Stainless Steel Heat Exchanger</p> <p><b>Digit 11 – Minor Design Sequence</b>                  A = First Sequence</p> <p><b>Digits 12, 13 – Service Sequence</b>                  ** = Factory Assigned</p>	<p><b>Digit 14 – Fresh Air Selection</b>                  0 = No Fresh Air                  A = Manual Outside Air Damper 0-50% (2)                  B = Motorized Outside Air Damper 0-50%                  C = Economizer, Dry Bulb 0-100% without Barometric Relief (3)                  D = Economizer, Dry Bulb 0-100% with Barometric Relief (3)                  E = Economizer, Reference Enthalpy 0-100% without Barometric Relief (3)                  F = Economizer, Reference Enthalpy 0-100% with Barometric Relief (3)                  G = Economizer, Comparative Enthalpy 0-100% without Barometric Relief (3)                  H = Economizer, Comparative Enthalpy 0-100% with Barometric Relief (3)                  K = Low Leak Economizer with Barometric Relief                  M = Low Leak Economizer with Reference Enthalpy with Barometric Relief                  P = Low Leak Economizer with Comparative Enthalpy with Barometric Relief</p> <p><b>Digits 15 – Supply Fan/Drive Type/Motor</b>                  0 = Standard Drive (4)                  1 = Oversized Motor (4)                  6 = Single Zone Variable Air Volume (SZVAV) (5)                  7 = Multi-Speed Indoor Fan(6)                  8 = Single Zone Variable Air Volume (SZVAV) with Oversized Motor (5)                  E = Multi-Zone Variable Air Volume (MZVAV) (5)                  F = Multi-Zone Variable Air Volume (MZVAV) with Oversized Motor (5)</p> <p><b>Digit 16 – Hinged Service Access/Filters</b>                  0 = Standard Panels/Standard Filters                  A = Hinged Access Panels/Standard Filters                  B = Standard Panels/2" MERV 8 Filters                  C = Hinged Access Panels/2" MERV 8 Filters                  D = Standard Panels/2" MERV 13 Filters                  E = Hinged Access Panels/2" MERV 13 Filters</p> <p><b>Digit 17 – Condenser Coil Protection</b>                  0 = Standard Coil                  1 = Standard Coil with Hail Guard                  2 = Black Epoxy Pre-Coated Condenser Coil                  3 = Black Epoxy Pre-Coated Condenser Coil with Hail Guard</p>	
1 of 3		

MODEL NUMBER DESCRIPTION	75011718	REV A
Precedent Heat Pump		
<p><i>Example Model Number:</i>  <b>WSC036HWRJA0AB0C1A10202DAA100F0</b>  <small>1 - - - 5 - - - 10 - - - 15 - - - 20 - - - 25 - - - 30 -</small></p>		
<p><b>Digit 18 – Through the Base Provisions</b>            0 = No Through-the-Base Provisions            A = Through-the-Base Electric (7)            B = Through-the-Base Gas Piping (8)            C = Through-the-Base Electric Gas Piping (8)</p>	<p><b>Digit 25 – System Monitoring Controls</b>            0 = No Monitoring System            1 = Clogged Filter Switch            2 = Fan Failure Switch            3 = Discharge Air Sensing Tube            4 = Clogged Filter Switch and Fan Failure Switch            5 = Clogged Filter Switch and Discharge Air Sensing Tube            6 = Fan Failure Switch and Discharge Air Sensing Tube            7 = Clogged Filter Switch, Fan Failure Switch and Discharge Air Sensing Tube            A = Condensate Drain Pan Overflow Switch            B = Clogged Filter Switch and Condensate Drain Pan Overflow Switch            C = Fan Failure Switch and Condensate Drain Pan Overflow Switch            D = Discharge Air Sensing and Condensate Drain Pan Overflow Switch            E = Clogged Filter Switch, Fan Failure Switch, and Condensate Drain Pan Overflow Switch            F = Clogged Filter Switch, Discharge Air Sensing, and Condensate Drain Pan Overflow Switch            G = Fan Failure Switch, Discharge Air Sensing and Condensate Drain Pan Overflow Switch            H = Clogged Filter Switch, Fan Failure Switch, Discharge Air Sensing, and Condensate Drain Pan Overflow Switch</p>	
<p><b>Digit 19 – Disconnect/Circuit Breaker</b>            0 = No Disconnect/No Circuit Breaker            1 = Unit Mounted Non-Fused Disconnect (7)            2 = Unit Mounted Circuit Breaker (7)</p>		
<p><b>Digit 20 – Convenience Outlet</b>            0 = Convenience Outlet            A = Unpowered Convenience Outlet            B = Powered Convenience Outlet (9)</p>		
<p><b>Digit 21 – Communications Options</b>            0 = No Communications Interface            1 = Trane® Communications Interface            2 = LonTalk® Communications Interface            6 = BACnet® Communications Interface            7 = Air-Fi™ Wireless Communications (10)</p>		
<p><b>Digit 22 – Refrigeration System Option</b>            0 = Standard Refrigeration System (11)</p>		
<p><b>Digit 23 – Refrigeration Controls</b>            0 = No Refrigeration Control (1)            1 = Frostat™ (12)            2 = Crankcase Heater (13)</p>		
<p><b>Digit 24 – Smoke Detector</b>            0 = No Smoke Detector            A = Return Air Smoke Detector (14)            B = Supply Air Smoke Detector            C = Supply and Return Air Smoke Detectors (14)            D = Plenum Smoke Detector</p>	<p><b>Digit 26 – System Monitoring Controls</b>            0 = No Monitoring Controls            A = Demand Control Ventilation (CO<sub>2</sub>) (15)            B = Low Leak Economizer with FDD (Fault Detection &amp; Diagnostics)            C = FDD (Fault Detection &amp; Diagnostics) with DCV (Demand Control Ventilation)</p>	
	<p><b>Digits 27 – Unit Hardware Enhancements</b>            0 = No Enhancements            1 = Stainless Steel Drain Pan</p>	
	<p><b>Digit 31 – Advanced Unit Controls</b>            0 = Standard Unit Controls            1 = Human Interface</p>	
2 of 3		

MODEL NUMBER NOTES

75011719

REV.  
A

Precedent Heat Pump

*Example Model Number:*

**WSC048H3R0A0AM0B3000601D20100F0**  
1 - - - - 5 - - - - 10 - - - - 15 - - - - 20 - - - - 25 - - - - 30 -

**Model Number Notes**

- (1) High pressure control is standard on all units
- (2) Manual outside air damper will ship factory supplied within the unit, but must be field installed.
- (3) Economizer with Barometric Relief is for downflow configured units only. Order Economizer without Barometric Relief for horizontal configuration. Barometric Relief for horizontal configured units must be ordered as a field installed accessory.
- (4) Multi-Stage, direct drive standard.
- (5) SZVAV/MZVAV available only on 3 to 5 tons high efficiency and 10 ton standard efficiency unit.
- (6) Multi-speed indoor fan only available only on 3 to 5 tons high efficiency and 10 ton products.
- (7) Through the base electric required when ordering disconnect/circuit breaker options.
- (8) Includes gas piping and shutoff (field assembly required).
- (9) Requires use of Disconnect or Circuit Breaker.
- (10) Must be used with BACnet ® open protocol.
- (11) Standard metering devices are TXVs.
- (12) Frostat standard on multi-speed and SZVAV (single zone variable air volume) products.
- (13) Crankcase heater is standard on all 3 to 5 ton heat pumps.
- (14) The return air smoke detector may not fit up or work properly on the Precedent units when used in conjunction with 3rd party accessories such as bolt on heat wheels, economizers and power exhaust. Do not order the return air smoke detectors when using this type of accessory.
- (15) Demand Control Ventilation Option includes wiring only. The CO<sub>2</sub> sensor is a field-installed only option.

