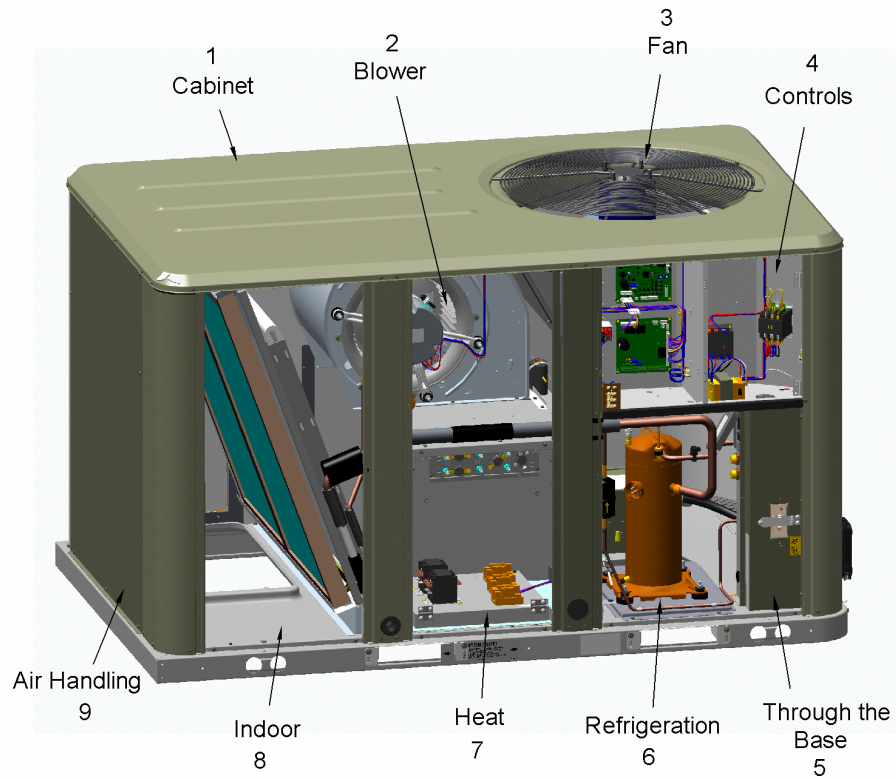


PACKAGED COOLING / HEAT PUMP

75011213

REV.
A

The sections that appear on this illustration are for all options.
Sections and options will appear in the Parts List if ordered with the unit.



This is a typical illustration. The unit in the field may not appear exactly as shown.

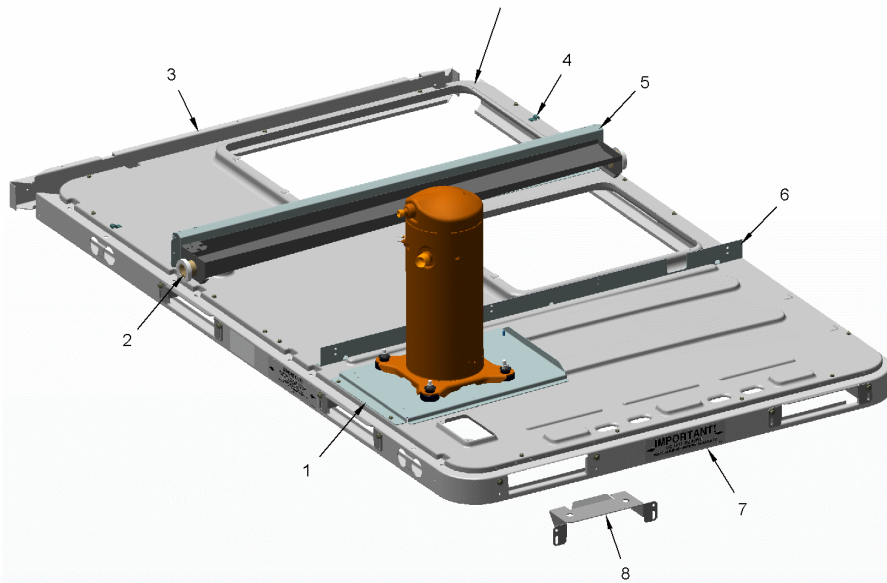
| Part No. | Reference No. | Quantity | Description |
|----------|---------------|----------|--|
| 75011720 | 1 | | UNIT BASE COMPONENTS |
| 75011208 | 2 | | BLOWER |
| 75011210 | 3 | | FAN |
| 75011726 | 4 | | CONTROL PANEL |
| 75010594 | 5 | | THROUGH THE BASE ELECTRICAL |
| 75010620 | 6 | | OUTDOOR AIR SENSOR |
| 75011725 | 6 | | REFRIGERATION - COMPRESSOR, OUTDOOR COIL |
| 75011722 | 8 | | INDOOR COIL / FILTERS |
| 75011851 | 10 | | HARNESS - COMMON CONTROLS |
| 75011857 | 10 | | HARNESS - CONTROLS WITH CTS |
| 75012174 | 10 | | HARNESS - IDM ADAPTER, 575V TRANSFORMER |
| 75011723 | 10 | | HARNESS - OPTIONS |
| 75011858 | 10 | | HARNESS - POWER & CONTROLS, DIRECT DRIVE MOTOR |
| 75011850 | 10 | | HARNESS - POWER |
| 75011855 | 10 | | TERMINAL BLOCK - CONTROLS (CTB) |
| OPTIONS | 11 | | OPTIONAL FIELD INSTALLED ACCESSORIES |
| 75011717 | 12 | | MODEL NUMBER DESCRIPTION, DIGITS 1 - 17 |
| 75011718 | 12 | | MODEL NUMBER DESCRIPTION, DIGITS 18 - 31 |
| 75011719 | 12 | | MODEL NUMBER NOTES |

UNIT BASE COMPONENTS

75011720

REV.
A

Unit Base Pan not available - not recommended as a replaceable part



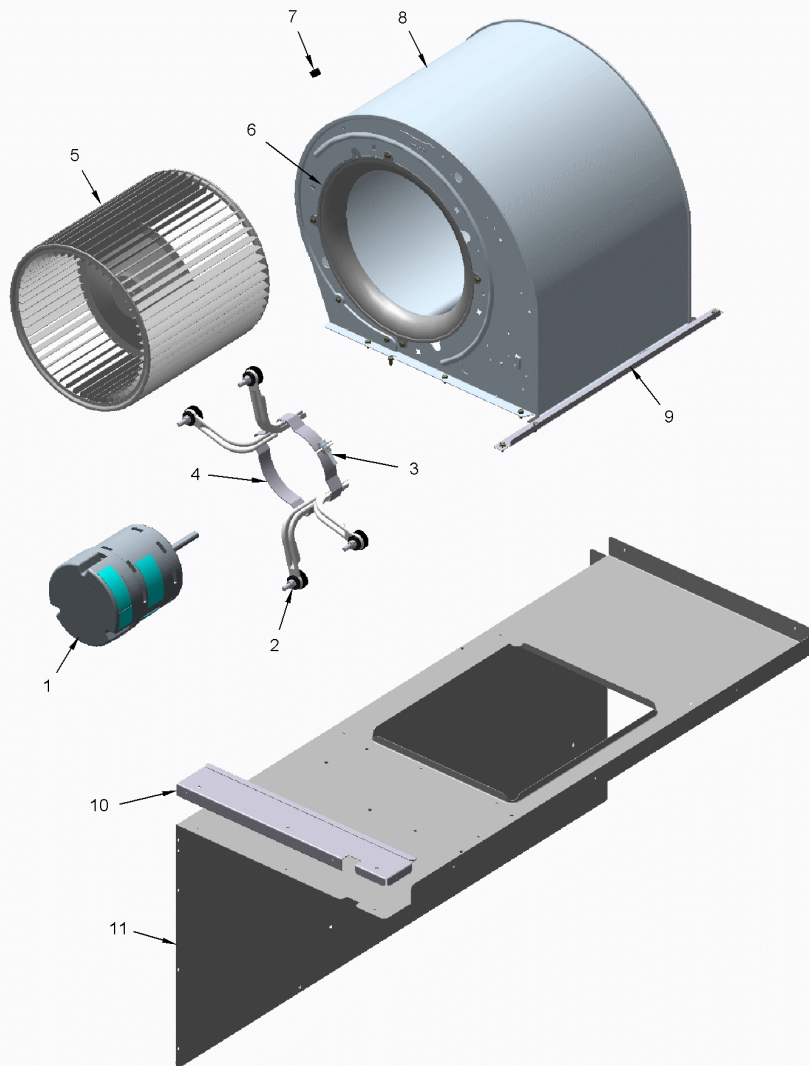
This is a typical illustration. The unit in the field may not appear exactly as shown.

| Part No. | Reference No. | Quantity | Description |
|-----------------|----------------------|-----------------|---|
| PLT04187 | 1 | 1 | PLATE; COMPRESSOR MOUNTING, 17.0 X 11.0 |
| RAL00874 | 3 | 1 | RAIL; END, 44.0 LENGTH |
| CLP01008 | 4 | 2 | NO DESCRIPTION AVAILABLE |
| CNL01178 | 5 | 1 | CHANNEL; INDOOR COIL SUPPORT, 42 INCH LENGTH |
| ANG01323 | 6 | 1 | ANGLE; TOGGLE LOCK, 41.93 X 1.80 |
| BRK03274 | 8 | 4 | BRACKET; BASE SUPPORT MOUNT, 10.3 LENGTH (FORKLIFT BRACKET) |

BLOWER

75011208

REV.
A



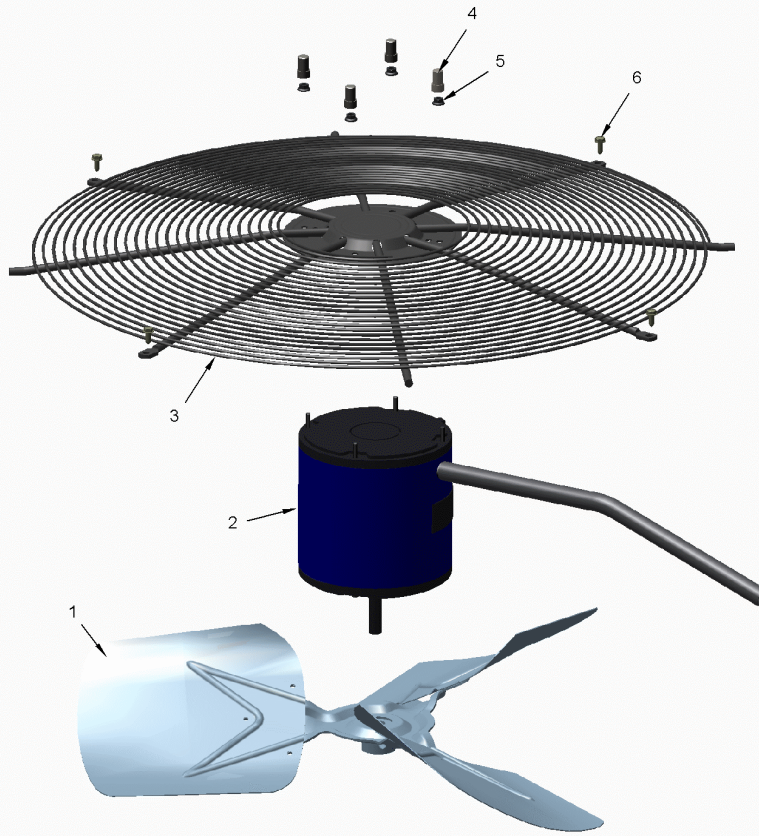
This is a typical illustration. The unit in the field may not appear exactly as shown.

| Part No. | Reference No. | Quantity | Description |
|----------|---------------|----------|--|
| SCR01623 | * | 14 | SCREW; SHEET METAL, 10-16 UNC X 1/2, HIGH TORQUE, INDENT HEX-WASHER HEAD |
| BRK03657 | 2 | 4 | BRACKET; MOTOR ARM, INCLUDES GROMMET. (CONTAINS A QTY OF 4 BRACKETS) |
| NUT00355 | 2 | 4 | NUT; HEX, LOCK, 5/16IN.-18 |
| NUT00446 | 3 | 1 | NUT; 0.31-18, HEX FLANGE-LOCK |
| BRK03232 | 4 | 1 | BRACKET; MOTOR MOUNTING, 17.6 LENGTH (4 LEG) |
| WHL02168 | 5 | 1 | WHEEL; FAN, 11.87 DIA X 11.93 W, .50 BORE, CCW, CONCAVE. INCLUDES 5/16-18 X 1/2 INCH SQH CUP PT SET SCREW. |
| ORF01304 | 6 | 1 | ORIFICE; INLET RING, 10.38 ID |
| BUS00485 | 7 | 1 | BUSHING; .62 MTG W/MAX .44 ID |
| HUS03676 | 8 | 1 | HOUSING; BLOWER, 11 X 11 |
| BRK04715 | 9 | 1 | BRACKET; INDOOR FAN, 22.00L X 0.90W X 0.50H |
| BRK04716 | 10 | 1 | BRACKET; FAN ACCESS PANEL, 17.13L X 3.16W X 1.0H |
| PNL33591 | 11 | 1 | PANEL; HEAT WRAPPER, 42.23L X 19.00W X 19.25H, 14.63 X 12.18 OPENING |

FAN

75011210

REV.
A



This is a typical illustration. The unit in the field may not appear exactly as shown.

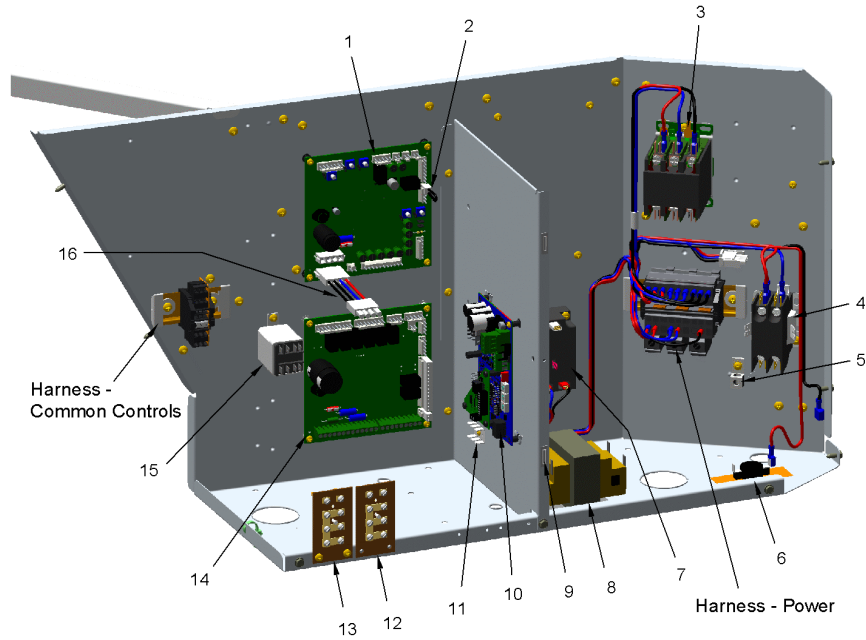
| Part No. | Reference No. | Quantity | Description |
|-----------------|----------------------|-----------------|--|
| FAN05567 | 1 | 1 | PROPELLER; OD FAN - 22 INCH 2 BLADES |
| MOT17289 | 2 | 1 | MOTOR; 3 PHASE 1/4 HP 575 |
| GRL01332 | 3 | 1 | GRILLE; FAN, 26.65 MTG HOLE DIAMETER |
| IRT00017 | 4 | 4 | INSERT; BUMPER-STOP, 0.468 OD X 0.81 LG, BLACK RUBBER |
| NUT00845 | 5 | 4 | NUT; FLANGE NIBBED |
| SCR01623 | 6 | 4 | SCREW; SHEET METAL, 10-16 UNC X 1/2, HIGH TORQUE, INDENT HEX-WASHER HEAD |

CONTROLS

75011726

REV.
A

The Parts that appear on this illustration are for all options.
Parts will appear in the Parts List if ordered with the unit.



This is a typical illustration. The unit in the field may not appear exactly as shown.

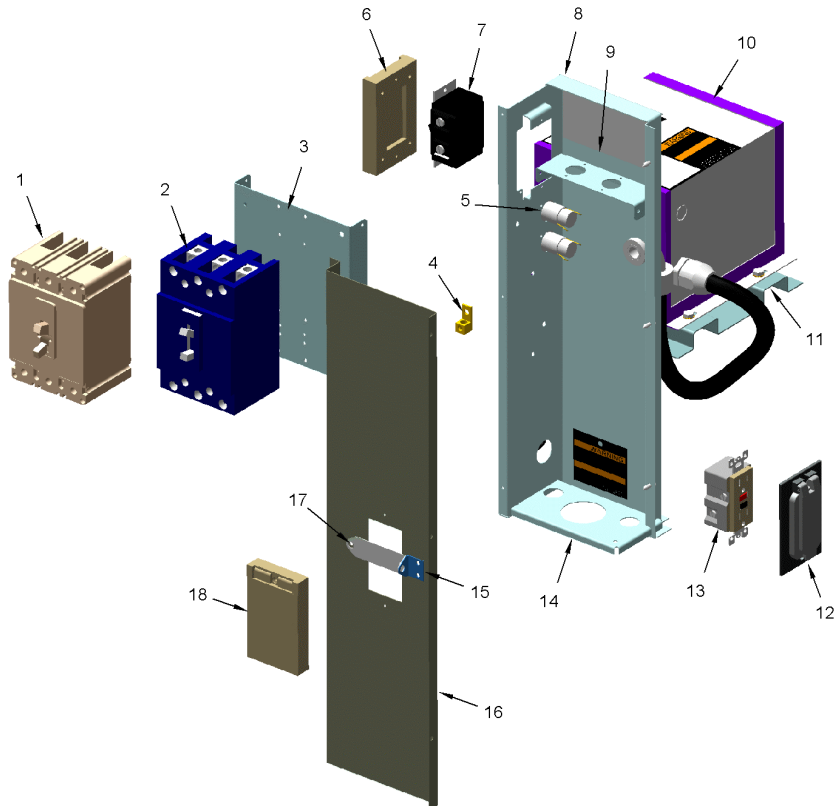
| Part No. | Reference No. | Quantity | Description |
|----------|---------------|----------|--|
| CTR01870 | 3 | 1 | CONTACTOR; 3 POLE, 30 FLA, W/O LUGS, 50/60 HZ, 24V COIL |
| CTR01203 | 4 | 1 | CONTACTOR; 2P, 30A, 24V COIL, 30 FLA AT 277V |
| CON00077 | 5 | 1 | CONNECTOR, ELECTRIC GROUND, 14-2 AWG SOLDERLESS |
| CNT01405 | 6 | 1 | CONTROL; TEMP, OPEN 65F, CLOSE 55F, SPST |
| CNT05176 | 7 | 1 | CONTROL; MONITOR, 3-PHASE LINE, UNIVERSAL 180-632 VAC, PHASE AND LOSS REVERSAL |
| TRR00826 | 8 | 1 | TRANSFORMER; 75 VA, 460-575V PRI, 24V SEC |
| CAT00043 | 9 | 2 | CATCH; MAGNETIC SNAP-IN |
| TER01680 | 11 | 1 | TERMINAL STRIP; .25IN. FASTON |
| BLK00940 | 13 | 1 | BLOCK; 6 TERMINALS (LVTB) |
| MOD02511 | 14 | 1 | MODULE; RELIATEL REFRIGERATION DUAL CIRCUIT COOL/HP |
| RLY03065 | 15 | 1 | RELAY; DPDT, 5 AMPS AT 120/277 VAC, 24 VAC COIL, 750 RMS, COIL CLASS F |

CONTROLS
THROUGH THE BASE
TYPICAL ILLUSTRATION

75010594

REV.
A

The parts that appear on this illustration are for all options.
Parts will appear in the Parts List if ordered with the unit.



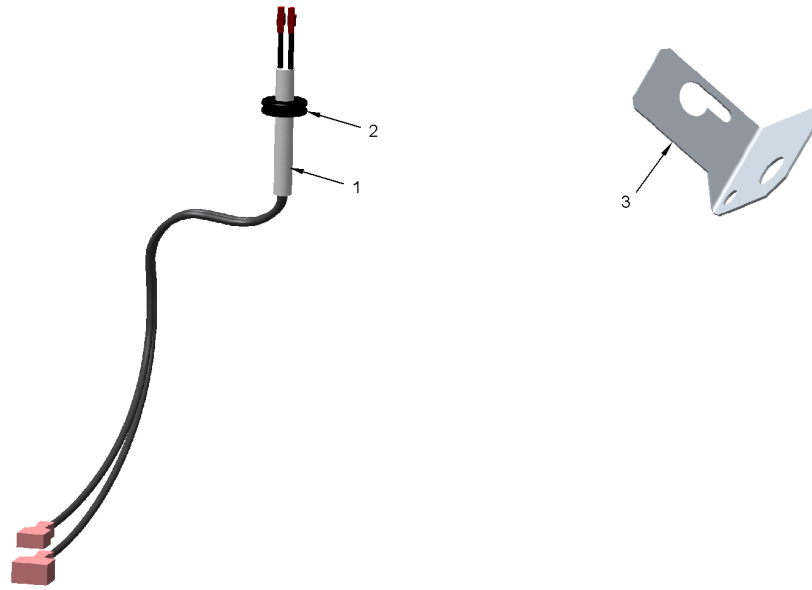
| Part No. | Reference No. | Quantity | Description |
|----------|---------------|----------|---|
| BUS00465 | * | 1 | BUSHING; SNAP, BLACK UNIVERSAL, 1.093 MOUNTING HOLE |
| CON00490 | * | 1 | CONNECTOR; 0.50 NOM STR |
| WIR06538 | * | 1 | WIRE; HARNESS - INDOOR MOTOR TRANSFORMER (TNS3), 53 IN LENGTH, BU BK WIRES, 33A,34B,49A,50A, 14 AWG |
| PNL13077 | 4 | 1 | PANEL; TBUE, CONDUIT CONN, 5.4 X 3.5 |
| FUS02239 | 5 | 2 | MIN=10/10 FUSE; TIME DELAY, CLASS CC, 5.6 AMPS, 600V |
| HLD00159 | 5 | 2 | HOLDER; FUSE |
| PNL24293 | 8 | 1 | PANEL; ENCLOSURE, TBUE, 20.42 HT |
| BRK03707 | 9 | 1 | BRACKET; TRANSFORMER FUSE HOLDER, 5.51 X 1.80 |
| TRR02551 | 10 | 1 | TRANSFORMER; AUTO, BALANCED, 575V PRI, 240V SEC, 60 HZ, 2KVA, CLASS 1 |
| MNT01716 | 11 | 1 | MOUNT; TRANSFORMER, 9.8 X 8.7 |
| PNL13075 | 16 | 1 | PANEL; FRONT, POWER DISCONNECT, 20.42 X 5.00 |

OUTDOOR AIR SENSOR

75010620

REV.
A

TYPICAL ILLUSTRATION

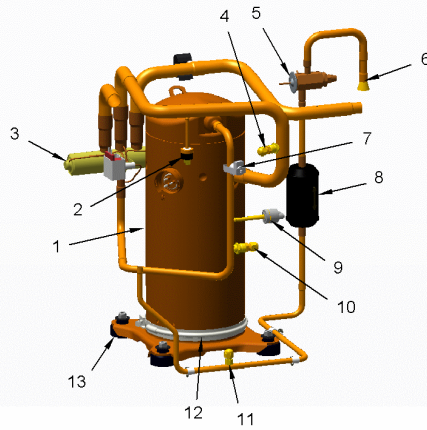
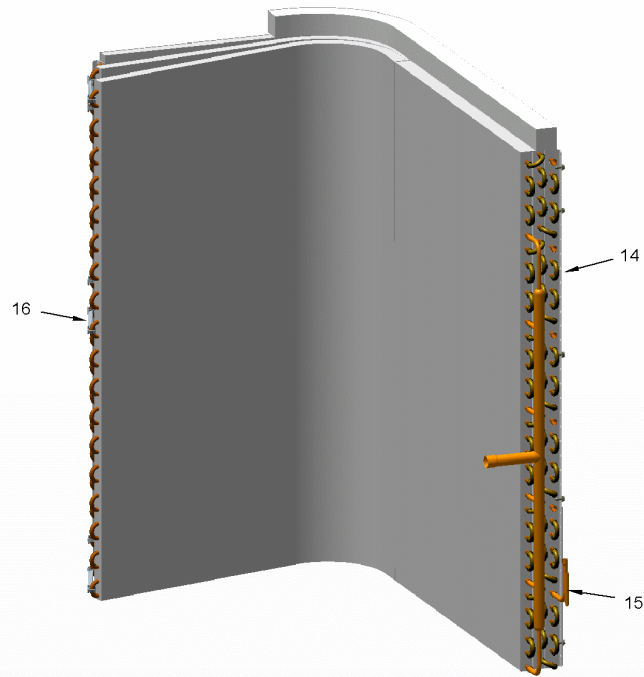


| Part No. | Reference No. | Quantity | Description |
|-----------------|----------------------|-----------------|--|
| SCR01623 | * | 4 | SCREW; SHEET METAL, 10-16 UNC X 1/2, HIGH TORQUE, INDENT HEX-WASHER HEAD |
| SEN00275 | 1 | 1 | SENSOR; THERMISTOR PROBE, -40 DEG C TO 65 DEG C, 12 INCH STRIPPED LEADS |
| GRM00039 | 2 | 1 | GROMMET; RUBBER .25 ID X .05 GRV MLD |
| BRK04441 | 3 | 1 | BRACKET; OUTDOOR AIR SENSOR |

REFRIGERATION

75011725

REV.
A



This is a typical illustration. The unit in the field may not appear exactly as shown.

Parts List Number :WSCUP9

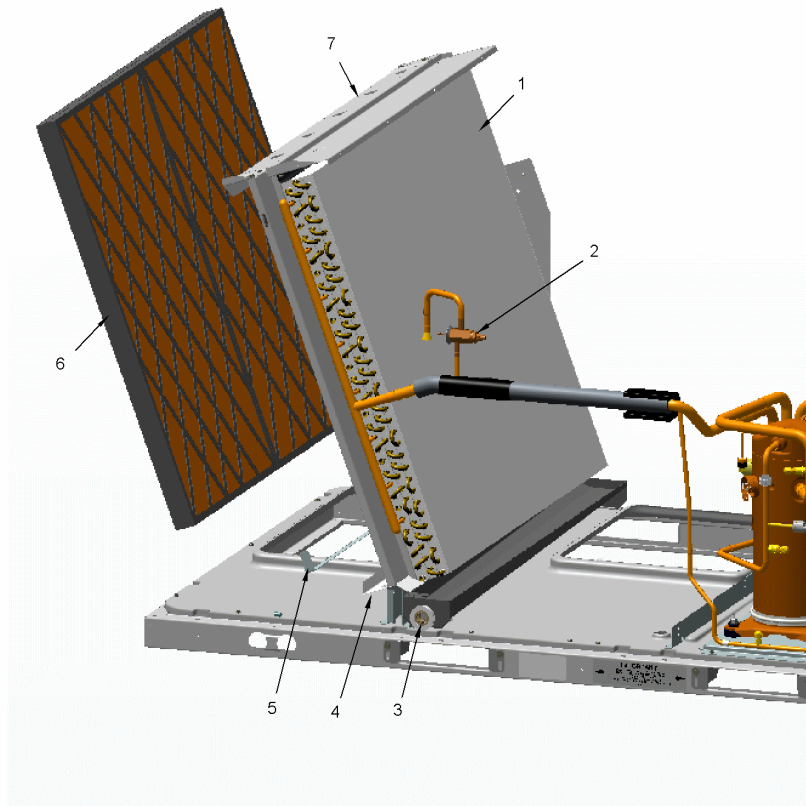
Model Number :WSC036HWR0A0033

| Part No. | Reference No. | Quantity | Description |
|----------|---------------|----------|--|
| CLP00296 | * | 1 | CLIP; TXV BULB, 7/8 INCH |
| WIR03437 | * | 1 | WIRE; HARNESS, COMPRESSOR, 14 AWG, CC1, 46 IN LENGTH (3 WIRE-RK,BL,BK) |
| COM10051 | 1 | 1 | COMPRESSOR; SCROLL; ALLIANCE; SXA036B7BPZ, 3.0 TON, 575V/60/3, R-410A, STUB TUBE, 7/8" SUCTION, 1/2" DIA. DISCHARGE |
| SWT03173 | 2 | 1 | SWITCH; LOW PRESSURE CUTOUT, 250 OPEN, ACTUATION PRESSURE 41 +/- 4, RESET PRESSURE 25 +/- 4 |
| VAL08359 | 3 | 1 | VALVE; REVERSING, 6 TON, .88 ODF X .63 ODF. INCLUDES 24V SOLENOID COIL - COL12849 |
| CAP00072 | 4 | 1 | CAP; VALVE, SEAL, .25 FFL |
| SET00819 | 4 | 1 | SEAT; SADDLE MOUNT ASSEMBLY |
| STM00803 | 4 | 1 | STEM; SADDLE MOUNT, VALVE CORE, BRASS, .344 DIA X 1.29 SCHRAEDER TYPE FITTING (TO INCLUDE 5 PIECES) |
| VAL12710 | 5 | 1 | VALVE; EXPANSION, 3 TON, R410A, 0.500 ODF INLET, 0.375 ODF OUTLET, NON-ADJUSTABLE, 92.0 PSIG |
| THT02805 | 7 | 1 | THERMOSTAT; WITH CLIP, .5/.625 TUBE, 38 IN, BLACK WIRES, SPST, 230F OPEN, 180F CLOSE |
| DHY01451 | 8 | 1 | DRIER; BI-FLOW; SERVICE FIRST; 8 CU. IN; DCB083S, 3/8 ODF CONNECTIONS; 2.3 TON CAPACITY; APPROVED FOR MINERAL OIL AND POE OIL REFRIGERANTS; MANUFACTUR |
| SWT03398 | 9 | 1 | SWITCH; HIGH PRESSURE, BRAZED, OPENS AT 650 PSIG, CLOSES AT 550 PSIG, 36 INCH WHITE LEADS |
| CAP00072 | 10 | 1 | CAP; VALVE, SEAL, .25 FFL |
| SET00819 | 10 | 1 | SEAT; SADDLE MOUNT ASSEMBLY |
| STM00803 | 10 | 1 | STEM; SADDLE MOUNT, VALVE CORE, BRASS, .344 DIA X 1.29 SCHRAEDER TYPE FITTING (TO INCLUDE 5 PIECES) |
| CAP00072 | 11 | 1 | CAP; VALVE, SEAL, .25 FFL |
| COR00006 | 11 | 1 | CORE; VALVE PORT, .79 LENGTH, .206-36 UNS 2A THD |
| VAL01483 | 11 | 1 | VALVE; BODY, .44-20 THD X .25 ODS, STRAIGHT, BRASS, LESS CORE |
| HTR10244 | 12 | 1 | HEATER; CRANKCASE, 40W, 575V, (32W AT 460V) 18AWG W/2 LEADS - ONE IS 65" LG W/ 1/4 INSUL FEMALE QC - ONE IS 65" LG W/ 1/4 UNINSUL FEMALE QC |
| ISR00007 | 13 | 4 | ISOLATOR; VIBRATION |
| NUT00355 | 13 | 4 | NUT; HEX, LOCK, 5/16IN.-18 |
| HLD00255 | 15 | 1 | HOLDER; THERMISTOR |
| KIT15254 | 16 | 3 | KIT; OUTDOOR COIL CLIPS, BLACK PLASTIC, 3.878 LENGTH (PACKAGE OF 6 CLIPS) |

INDOOR COIL / FILTERS

75011722

RP
A



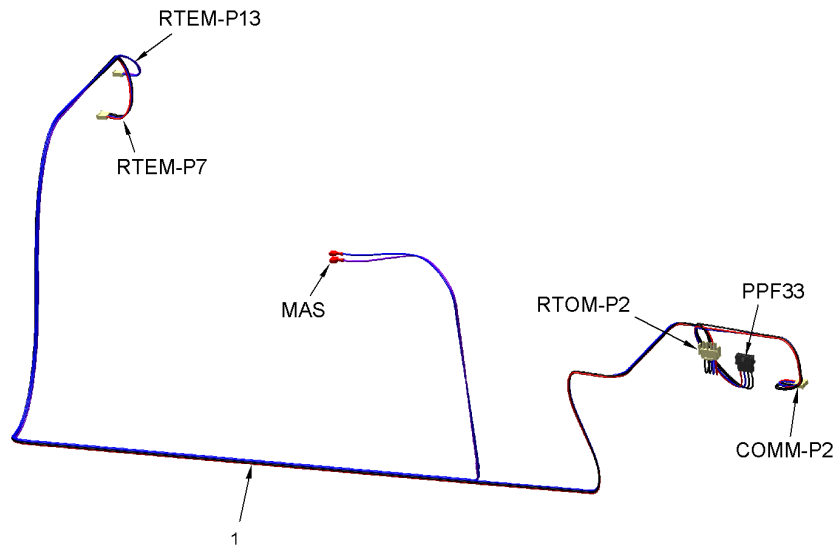
This is a typical illustration. The unit in the field may not appear exactly as shown.

| Part No. | Reference No. | Quantity | Description |
|-----------------|----------------------|-----------------|--|
| CLP01072 | * | 1 | CLIP; BULB (BLUE), 3/4 OD TUBE |
| COL27853 | 1 | 1 | COIL; INDOOR, FLAT FIN, 37.00 L X 34.00 H, 3 ROW (TXV NOT INCLUDED) |
| VAL12709 | 2 | 1 | VALVE; EXPANSION, 3 TON, R410A, 0.500 ODF INLET, 0.375 ODF OUTLET, NON-ADJUSTABLE, 89.0 PSIG |
| BOF02426 | 4 | 1 | BLOCKOFF; ID COIL - BOTTOM |
| TOL05032 | 5 | 1 | TOOL; FILTER REMOVAL |
| BOF02427 | 7 | 1 | BLOCKOFF; TOP, 006-015 |

OPTIONS HARNESS

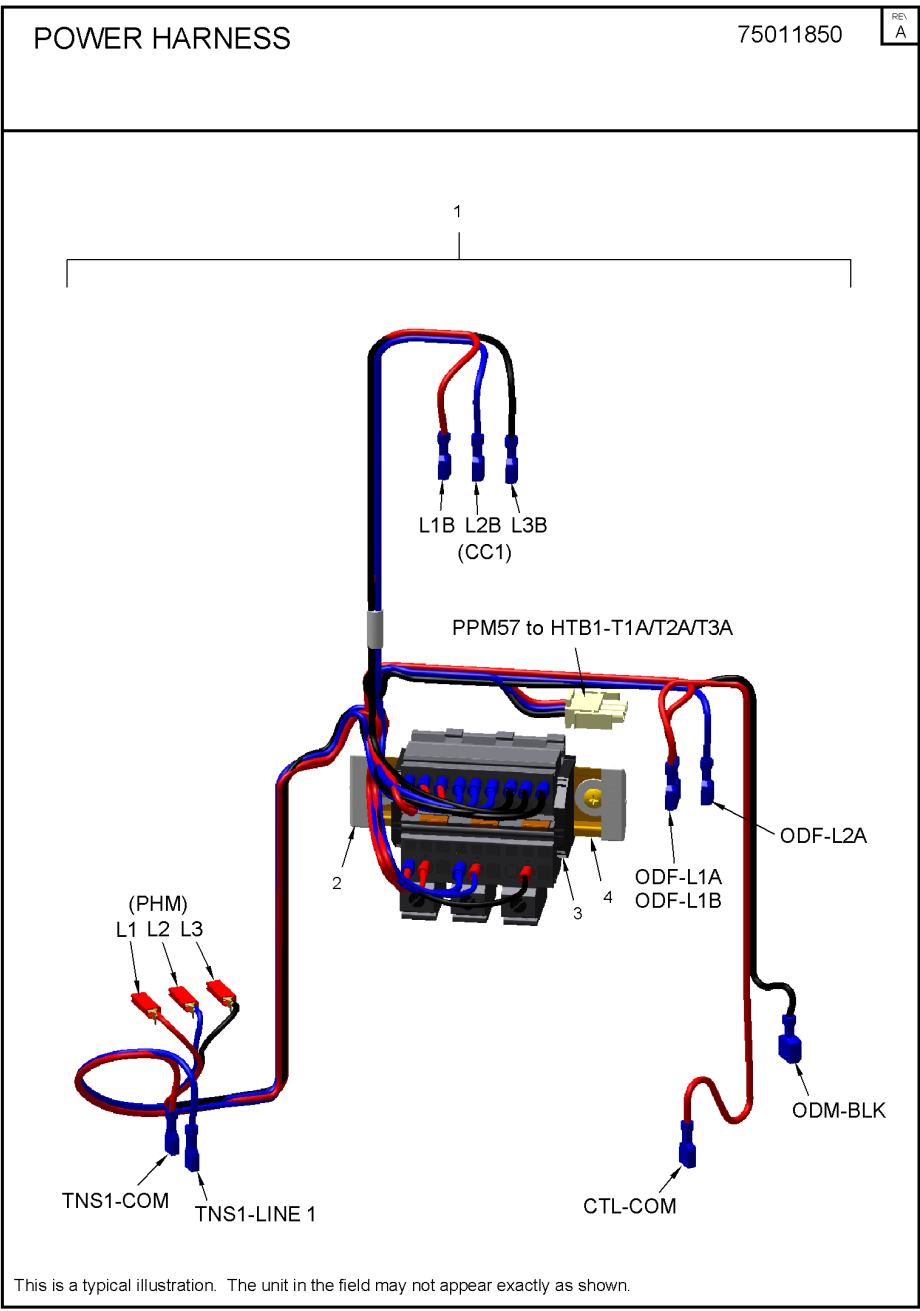
75011723

REV.
A

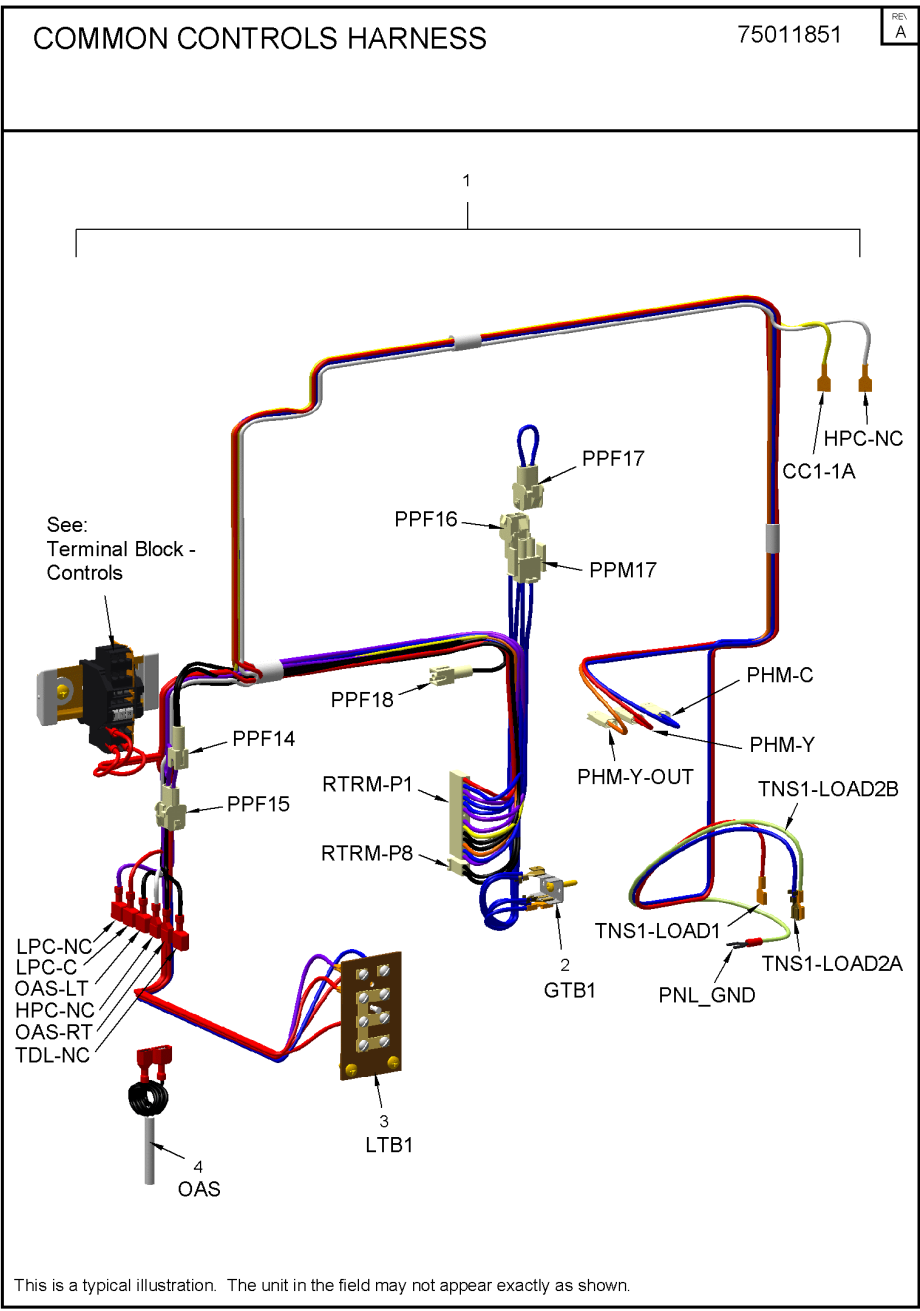


This is a typical illustration. The unit in the field may not appear exactly as shown.

| Part No. | Reference No. | Quantity | Description |
|----------|---------------|----------|---|
| WIR08181 | 1 | 1 | WIRE; HARNESS, OPTIONS - COMM-J2 TO RTOM-J1, RTEM TO MAS, RTEM TO RTOM-J2 |



| Part No. | Reference No. | Quantity | Description |
|-----------------|----------------------|-----------------|---|
| WIR08685 | 1 | 1 | HARNESS - POWER, INCLUDES HTB1 |
| CAP01251 | 2 | 2 | CAP; PROTECTIVE FORM CAP |
| TER01332 | 3 | 2 | TERMINAL; BLOCK, END STOP |
| RAL01169 | 4 | 1 | RAIL; DIN TERMINAL BLOCK, 35MM, 5.00 LG |



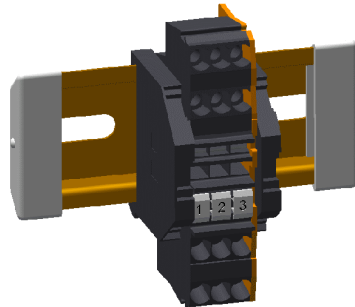
| Part No. | Reference No. | Quantity | Description |
|-----------------|----------------------|-----------------|---|
| WIR08679 | 1 | 1 | WIRE; HARNESS; COMMON CONTROLS; F CAB |
| TER01680 | 2 | 1 | TERMINAL STRIP; .25IN. FASTON |
| BLK00940 | 3 | 1 | BLOCK; 6 TERMINALS (LVTB) |
| SEN01829 | 4 | 1 | SENSOR; THERMISTOR PROBE, -40 TO 65C, .25 DIA X 1.75 LG W/26" PVC LEADS-INSUL QC |

TERMINAL BLOCK - CONTROLS (CTB)

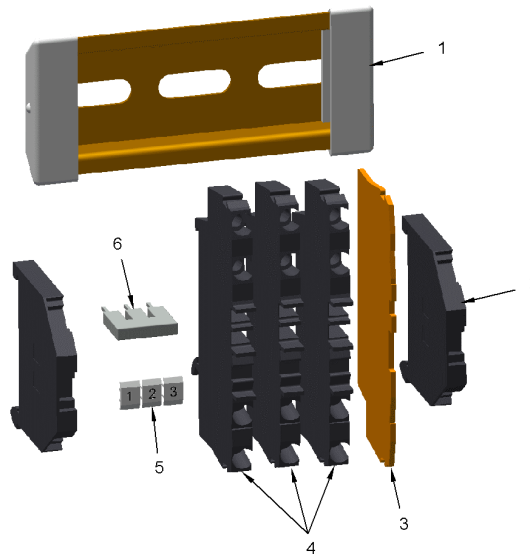
75011855

REV.
A

This assembly is a component of the Common Controls Harness

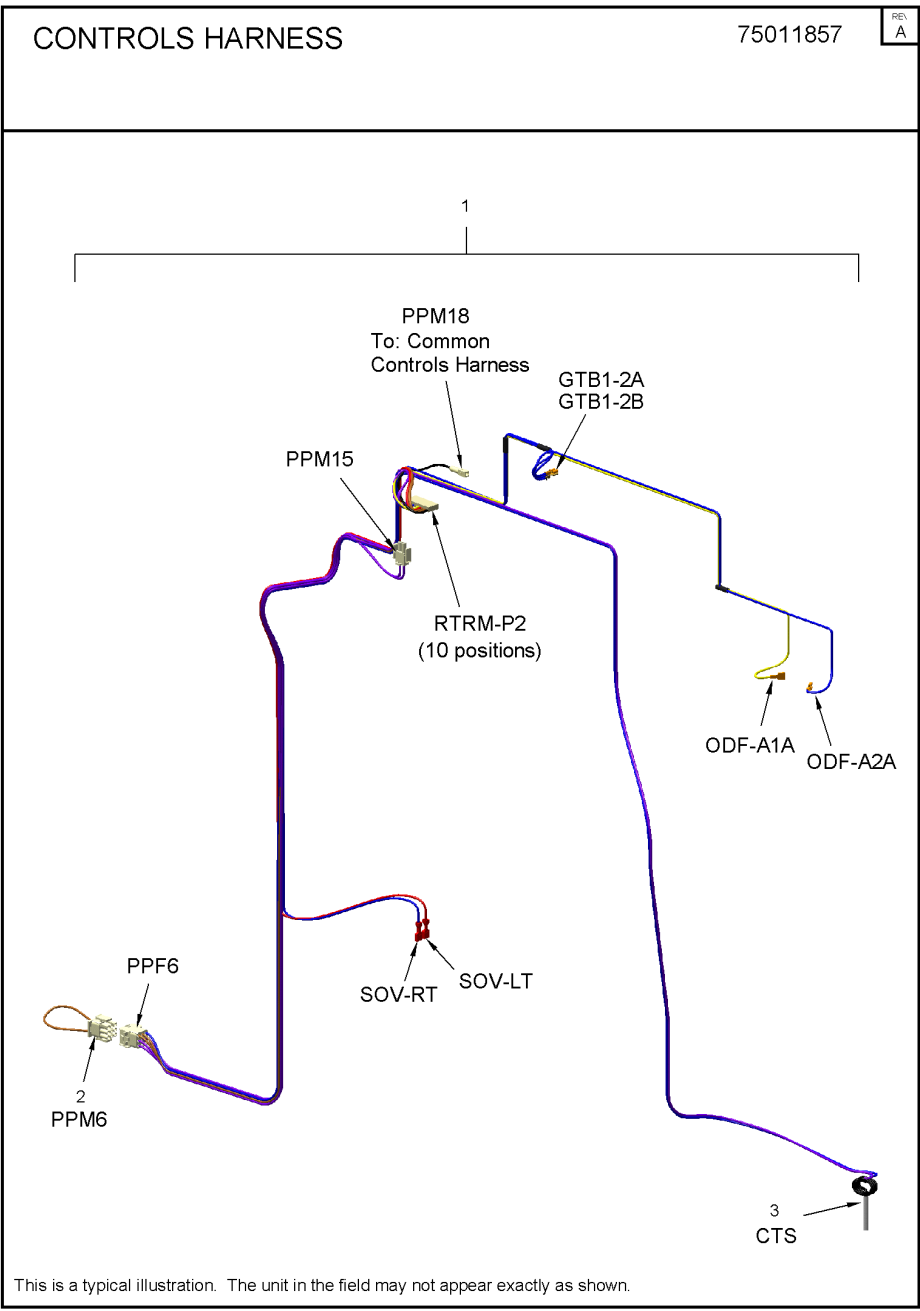


Reference - complete assembly



This is a typical illustration. The unit in the field may not appear exactly as shown.

| Part No. | Reference No. | Quantity | Description |
|-----------------|----------------------|-----------------|--|
| CAP00251 | 1 | 2 | CAP; TUBE |
| TER01332 | 2 | 2 | TERMINAL; BLOCK, END STOP |
| PLT04051 | 3 | 1 | PLATE; 4 CONDUCTOR POLE END PLATE |
| TER01334 | 4 | 3 | TERMINAL; BLOCK, 4 CONDUCTOR POLE 20A 600V |
| TER01351 | 5 | 1 | TERMINAL; BLOCK, POLE MARKING 1-10 VERT |
| TER01354 | 6 | 1 | TERMINAL; BLOCK, 3 POLE JUMPER |



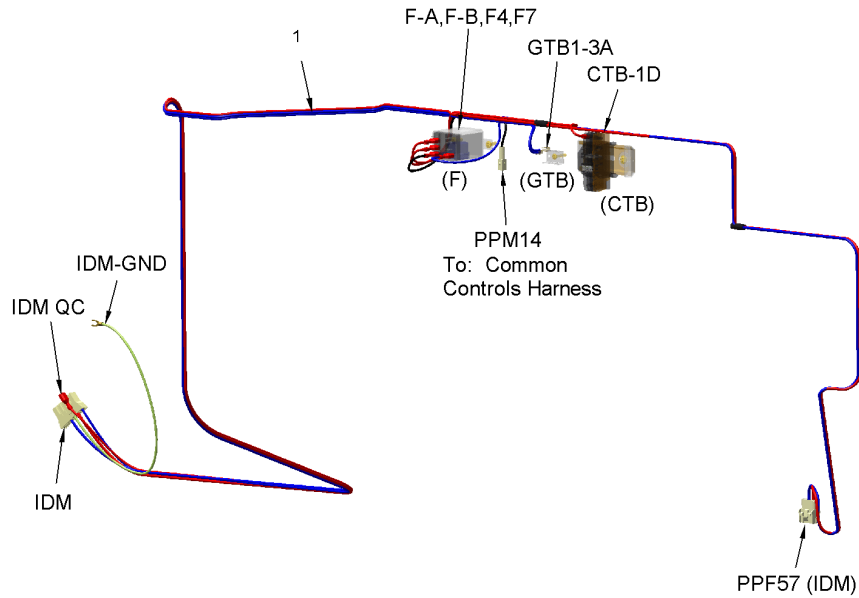
| Part No. | Reference No. | Quantity | Description |
|----------|---------------|----------|--|
| WIR05212 | * | 1 | WIRE; HARNESS, COIL TEMP SENSOR (CTS), 77 IN L, 162C(PR),163C(BU) |
| WIR08681 | 1 | 1 | WIRE; HARNESS, CONTROLS, INCLUDES CTS-SEN00275 & WIR08179 |
| WIR08179 | 2 | 1 | WIRE; HARNESS, NO HEAT CONFIGURATION - RELIATEL CONTROLS |
| SEN00275 | 3 | 1 | SENSOR; THERMISTOR PROBE, -40 DEG C TO 65 DEG C, 12 INCH STRIPPED LEADS |

POWER & CONTROLS, MOTOR HARNESS

75011858

REV
A

Relay, GTB or CTB not included with Harness.



This is a typical illustration. The unit in the field may not appear exactly as shown.

Parts List Number :WSCUP9

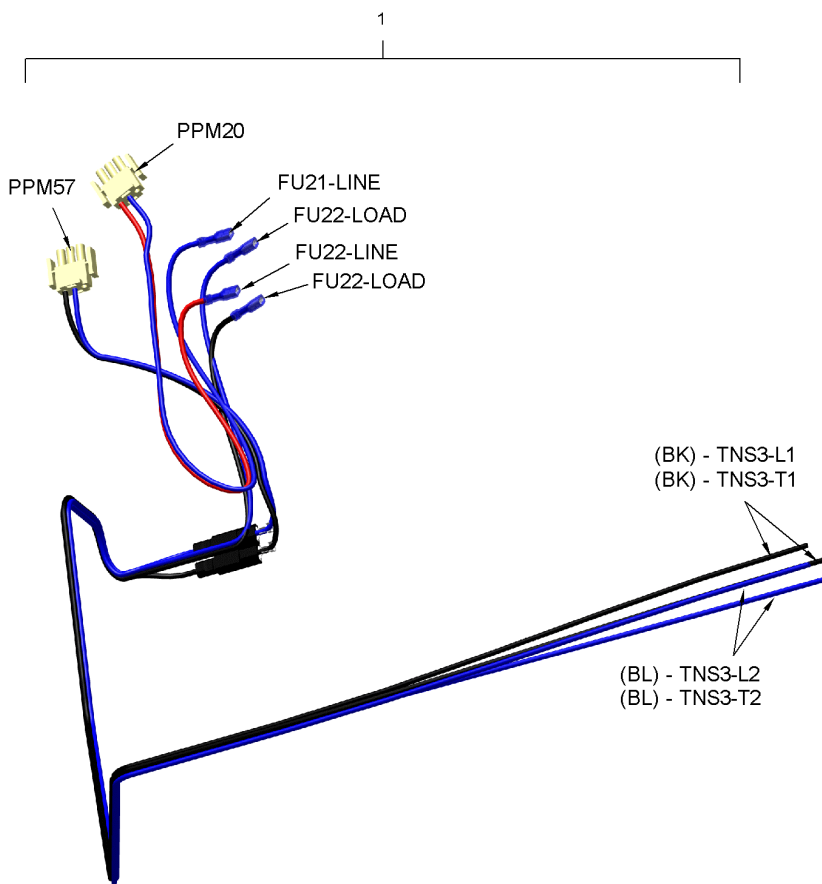
Model Number :WSC036HWR0A0033

| Part No. | Reference No. | Quantity | Description |
|----------|---------------|----------|---|
| WIR08688 | 1 | 1 | WIRE; HARNESS; POWER & CONTROLS; DD MOTOR; CONSTANT TORQ; F CAB |

HARNESS - IDM ADAPTER - TNS3

75012174

REV
A



This is a typical illustration. The unit in the field may not appear exactly as shown.

Parts List Number :WSCUP9

Model Number :WSC036HWR0A0033

| Part No. | Reference No. | Quantity | Description |
|-----------------|----------------------|-----------------|---|
| CON00486 | * | 2 | CONNECTOR; PLUG HOUSING, 3 PIN MALE |
| TER00315 | * | 4 | TERMINAL; .25 INSUL. FASTON |
| WIR08682 | 1 | 1 | WIRE; HARNESS; IDM ADAPTER - 575V TRANSFORMER |

| Part No. | Reference No. | Quantity | Description |
|-------------|---------------|----------|--|
| BAYBCIR001A | * | 1 | KIT; FIELD INSTALLED BCI (BAYBCIR001A) |
| BAYCO2K003B | * | 1 | KIT; CO2 DEMAND-CONTROLLED VENTILATION DUCT SENSOR (A RELIATEL ECONOMIZER MODULE WITH DCV CONNECTIONS MUST BE USED WITH THIS KIT) |
| BAYDMPR051A | * | 1 | DAMPER; RELIATEL, 0-50 PERCENT MOTORIZED OUTSIDE AIR DAMPER (BAYDMPR051A) |
| BAYDMPR053B | * | 1 | DAMPER; 0-50% MANUAL OUTSIDE AIR DAMPER (BAYDMPR053BA) |
| BAYECON085A | * | 1 | ECONOMIZER; RELIATEL, 0-100 PERCENT DRY BULB (BAYECON085A) |
| BAYECON705B | * | 1 | ACCESSORY; LOW LEAK ECONOMIZER, FOR B/F CABINETS WITH RELIATEL (SEE ACC-SVN177* FOR MODELS) CONTROLS |
| BAYGARD137A | * | 1 | ACCY; PRECEDENT HAIL GUARD |
| BAYHTREW06C | * | 1 | HEATER; 6.0 KW 600/60/3 |
| BAYHTREW12C | * | 1 | HEATER; 12.0 KW 600/60/3 |
| BAYHTREW18C | * | 1 | HEATER; 17.4 KW 600/60/3 |
| BAYHTRYW17A | * | 1 | HEATER; 17.4 KW 600/60/3 |
| BAYICSI003A | * | 1 | BOARD; ACCESSORY, RELIATEL COMMUNICATIONS INTERFACE BOARD (BAYICSI003AD) |
| BAYLOAM020B | * | 1 | CONTROL; EVAPORATOR DEFROST KIT (FROSTAT) (BAYLOAM020BB). (OPTIONS BOARD KIT09433-BAYABRD001CA MUST BE INSTALLED IN THE UNIT FOR THIS ACCESSORY TO OPE |
| BAYLTCI002B | * | 1 | KIT; RELIATEL COMMUNICATIONS INTERFACE THAT INCORPORATES LONTALK PROTOCOL (BAYLTCI002BB) |
| BAYPWRX072A | * | 1 | POWER EXHAUST, 575V, FOR 3-5 TON T/W/YSC & D/T/W/YHC |
| BAYQACB010A | * | 1 | CURB; ADAPTA CURB (BAYQACB010AA), TRANSITIONS BAYCURB022B, 77.625 X 46.875 |
| BAYQACB500A | * | 1 | ADAPTOR CURB KCC-330 |
| BAYRTEM001A | * | 1 | RELIATEL ECONOMIZER LOGIC MODULE |
| BAYTUBE105A | * | 1 | KIT; DISCHARGE AIR SENSING, ELECTRIC HEAT, F CAB |
| CRB00170 | * | 1 | CURB; ADAPTA CURB (BAYQACB009AA), TRANSITIONS BAYCURB021B, 78.125 X 43.875 |
| CRB00175 | * | 1 | CURB; ROOFCURB (BAYCURB042AB) |
| DMP02839 | * | 1 | DAMPER; BAROMETRIC RELIEF (BAYBARM010AB) |
| KIT09433 | * | 1 | KIT; ACCESSORY, OPTIONS BOARD (BAYABRD001CA) |
| KIT13697 | * | 1 | HEATER; ACCESSORY, CRANKCASE, 460/575V (BAYCCHT011BB) |
| KIT13704 | * | 1 | KIT; FAN FAILURE SWITCH (BAYDFPS004AB). (OPTIONS BOARD KIT09433-BAYABRD001CA MUST BE INSTALLED IN THE UNIT FOR THIS ACCESSORY TO OPERATE). |
| KIT13711 | * | 1 | KIT; VENTILATION OVERRIDE (BAYVNOR001BB) (OPTIONS BOARD KIT09433-BAYABRD001CA MUST BE INSTALLED IN THE UNIT FOR THIS ACCESSORY TO OPERATE). |
| KIT15159 | * | 1 | KIT; CO2 SENSING (BAYCO2K001B) |
| KIT15161 | * | 1 | KIT; REFERENCE ENTHALPY (BAYENTH005A) |
| KIT15162 | * | 1 | KIT; COMPARATIVE ENTHALPY (BAYENTH006B) |
| KIT17430 | * | 1 | KIT17430; TD5 DISPLAY UPGRADE PRECEDENT LIGHT COMMERCIAL |
| PLT03127 | * | 1 | PLATE; COMBINED MOUNTING PLATE AND ADAPTER PLATE (BAYMTPL003BA) |
| PLT04561 | * | 1 | PLATE; WALL COVER PLATE ASSEMBLY (BAYMTPL110A) |
| SEN00278 | * | 1 | SENSOR; THERMISTOR PROBE, -40 DEG C TO 65 DEG, STRIPPED LEADS (BAYSENS016AA) |
| SEN01379 | * | 1 | SENSOR; TEMPERATURE, RETURN AIR - DUCT (BAYSTAT059AA) |
| SEN01447 | * | 1 | SENSOR; ZONE, ROOM SENSOR W/TEMP. ADJUSTMENT WITH OVERRIDE AND CANCEL BUTTONS, 10K, DIAL, OCCUPIED (BAYSENS074AA) |
| SEN01448 | * | 1 | SENSOR; ZONE, REMOTE ROOM SENSOR, 10K (BAYSENS077AA) |
| SEN01513 | * | 1 | SENSOR; ZONE; DUAL SETPOINT MANUAL OR AUTO CHANGOVER, TWO SET FAN SYSTEM (BAYSENS108AA) |
| SEN01515 | * | 1 | SENSOR;ZONE SINGLE SETPOINT MANUAL CHANGOVER, SET FAN SYSTEM, COOL/OFF/HEAT (BAYSENS106A) |
| SEN01522 | * | 1 | SENSOR; ZONE, DUAL SETPOINT MANUAL OR AUTO CHANGOVER W/SYSTEM FUNCTION LIGHTS TWO SET FAN SYSTEM, LED (BAYSENS110A) |

| Part No. | Reference No. | Quantity | Description |
|----------|---------------|----------|---|
| SEN01577 | * | 1 | SENSOR; PROGRAMMABLE ZONE, AUTOMATIC OR MANUAL CHANGEOVER W/ SYSTEM LIGHTS TRANE (BAYSENS119AA) |
| SEN01578 | * | 1 | SENSOR; PROGRAMMABLE ZONE, AMERICAN STANDARD (ASYSTAT777AA) |
| SEN01579 | * | 1 | SENSOR; CO2 SENSING KIT; WALL MOUNTED (ASYSTAT712B) |
| SEN01580 | * | 1 | SENSOR; CO2 SENSING KIT; DUCT MOUNTED (ASYSTAT714B) |
| SEN01582 | * | 1 | SENSOR; TEMPERATURE, OPERATING RANGE 45 TO 99F (BAYSTAT060AB) |
| SEN02076 | * | 1 | SENSOR; TEMPERATURE, DISPLAY SENSOR, SETPOINT, TOV |
| THT00839 | * | 1 | THERMOSTAT; REMOTE POTENTIOMETER, 60-90 DEG F (BAYSTAT023AA) |
| THT02239 | * | 1 | THERMOSTAT; HIGH TEMPERATURE (BAYFRST001AA) |
| THT02772 | * | 1 | THERMOSTAT, WALL MOUNT, NON-PROGRAMMABLE 1H/1C (BAYSTAT151A) |
| THT02773 | * | 1 | THERMOSTAT; WALL MOUNT, NON-PROGRAMMABLE 3H/2C (BAYSTAT155A) |
| THT02774 | * | 1 | THERMOSTAT; WALL MOUNT, PROGRAMMABLE 3H/2C, (BAYSTAT150AA) |
| THT02775 | * | 1 | THERMOSTAT; PROGRAMABLE TOUCH SCREEN 3H/2C |
| TOL00099 | * | 1 | TOOL; RESISTANCE DECADE BOX |

| | | |
|--|--|----------|
| MODEL NUMBER DESCRIPTION | 75011718 | REL A |
| Precedent Heat Pump | | |
| <p><i>Example Model Number:</i> WSC036HWRJA0AB0C1A10202DAA100F0 <small>1 - - - 5 - - - 10 - - - 15 - - - 20 - - - 25 - - - 30 -</small></p> | | |
| <p>Digit 18 – Through the Base Provisions 0 = No Through-the-Base Provisions A = Through-the-Base Electric (7) B = Through-the-Base Gas Piping (8) C = Through-the-Base Electric Gas Piping (8)</p> <p>Digit 19 – Disconnect/Circuit Breaker 0 = No Disconnect/No Circuit Breaker 1 = Unit Mounted Non-Fused Disconnect (7) 2 = Unit Mounted Circuit Breaker (7)</p> <p>Digit 20 – Convenience Outlet 0 = Convenience Outlet A = Unpowered Convenience Outlet B = Powered Convenience Outlet (9)</p> <p>Digit 21 – Communications Options 0 = No Communications Interface 1 = Trane® Communications Interface 2 = LonTalk® Communications Interface 6 = BACnet® Communications Interface 7 = Air-Fi™ Wireless Communications (10)</p> <p>Digit 22 – Refrigeration System Option 0 = Standard Refrigeration System (11)</p> <p>Digit 23 – Refrigeration Controls 0 = No Refrigeration Control (1) 1 = Frostat™ (12) 2 = Crankcase Heater (13)</p> <p>Digit 24 – Smoke Detector 0 = No Smoke Detector A = Return Air Smoke Detector (14) B = Supply Air Smoke Detector C = Supply and Return Air Smoke Detectors (14) D = Plenum Smoke Detector</p> | <p>Digit 25 – System Monitoring Controls 0 = No Monitoring System 1 = Clogged Filter Switch 2 = Fan Failure Switch 3 = Discharge Air Sensing Tube 4 = Clogged Filter Switch and Fan Failure Switch 5 = Clogged Filter Switch and Discharge Air Sensing Tube 6 = Fan Failure Switch and Discharge Air Sensing Tube 7 = Clogged Filter Switch, Fan Failure Switch and Discharge Air Sensing Tube A = Condensate Drain Pan Overflow Switch B = Clogged Filter Switch and Condensate Drain Pan Overflow Switch C = Fan Failure Switch and Condensate Drain Pan Overflow Switch D = Discharge Air Sensing and Condensate Drain Pan Overflow Switch E = Clogged Filter Switch, Fan Failure Switch, and Condensate Drain Pan Overflow Switch F = Clogged Filter Switch, Discharge Air Sensing, and Condensate Drain Pan Overflow Switch G = Fan Failure Switch, Discharge Air Sensing and Condensate Drain Pan Overflow Switch H = Clogged Filter Switch, Fan Failure Switch, Discharge Air Sensing, and Condensate Drain Pan Overflow Switch</p> <p>Digit 26 – System Monitoring Controls 0 = No Monitoring Controls A = Demand Control Ventilation (CO₂) (15) B = Low Leak Economizer with FDD (Fault Detection & Diagnostics) C = FDD (Fault Detection & Diagnostics) with DCV (Demand Control Ventilation)</p> <p>Digits 27 – Unit Hardware Enhancements 0 = No Enhancements 1 = Stainless Steel Drain Pan</p> <p>Digit 31 – Advanced Unit Controls 0 = Standard Unit Controls 1 = Human Interface</p> | |
| 2 of 3 | | |

| | | |
|--|---|----------|
| MODEL NUMBER DESCRIPTION | 75011717 | REL A |
| Precedent Heat Pump | | |
| <p><i>Example Model Number:</i> WSC06 0H4 R JA0AG0C 1A2B20 1DHC100C 1 <small>1 - - - 5 - - - 10 - - - 15 - - - 20 - - - 25 - - - 30 -</small></p> | | |
| <p>Digit 1 – Unit Type W = Packaged Heat Pump (1) D = Dual Fuel Heat Pump (1)</p> <p>Digit 2 – Efficiency H = High Efficiency S = Standard Efficiency</p> <p>Digit 3 – Airflow C = Convertible</p> <p>Digits 4,5,6 – Nominal Gross Cooling Capacity (MBh) 036 = 5 Ton 048 = 3 Ton 060 = 5 Ton</p> <p>Digit 7 – Major Design Sequence = H</p> <p>Digit 8 – Voltage Selection 3 = 208-230/60/3 4 = 460/60/3 W = 575/60/3</p> <p>Digit 9 – Unit Controls R = ReliaTel™ Microprocessor</p> <p>Digit 10 – Heating Capacity Note: <i>Applicable to Digit 1, W models only</i> 0 = No Electric Heat B = 6 kW (3 phase) E = 12 kW (3 phase) G = 18 kW (3 phase) J = 23 W (3 phase) Note: <i>Applicable to Digit 1, D models only</i> L = Low Heat M = Medium Heat H = High Heat X = Low Heat, Stainless Steel Heat Exchanger Y = Medium Heat, Stainless Steel Heat Exchanger Z = High Heat, Stainless Steel Heat Exchanger</p> <p>Digit 11 – Minor Design Sequence A = First Sequence</p> <p>Digits 12, 13 – Service Sequence ** = Factory Assigned</p> | <p>Digit 14 – Fresh Air Selection 0 = No Fresh Air A = Manual Outside Air Damper 0-50% (2) B = Motorized Outside Air Damper 0-50% C = Economizer, Dry Bulb 0-100% without Barometric Relief (3) D = Economizer, Dry Bulb 0-100% with Barometric Relief (3) E = Economizer, Reference Enthalpy 0-100% without Barometric Relief (3) F = Economizer, Reference Enthalpy 0-100% with Barometric Relief (3) G = Economizer, Comparative Enthalpy 0-100% without Barometric Relief (3) H = Economizer, Comparative Enthalpy 0-100% with Barometric Relief (3) K = Low Leak Economizer with Barometric Relief M = Low Leak Economizer with Reference Enthalpy with Barometric Relief P = Low Leak Economizer with Comparative Enthalpy with Barometric Relief</p> <p>Digits 15 – Supply Fan/Drive Type/Motor 0 = Standard Drive (4) 1 = Oversized Motor (4) 6 = Single Zone Variable Air Volume (SZVAV) (5) 7 = Multi-Speed Indoor Fan(6) 8 = Single Zone Variable Air Volume (SZVAV) with Oversized Motor (5) E = Multi-Zone Variable Air Volume (MZVAV) (5) F = Multi-Zone Variable Air Volume (MZVAV) with Oversized Motor (5)</p> <p>Digit 16 – Hinged Service Access/Filters 0 = Standard Panels/Standard Filters A = Hinged Access Panels/Standard Filters B = Standard Panels/2" MERV 8 Filters C = Hinged Access Panels/2" MERV 8 Filters D = Standard Panels/2" MERV 13 Filters E = Hinged Access Panels/2" MERV 13 Filters</p> <p>Digit 17 – Condenser Coil Protection 0 = Standard Coil 1 = Standard Coil with Hail Guard 2 = Black Epoxy Pre-Coated Condenser Coil 3 = Black Epoxy Pre-Coated Condenser Coil with Hail Guard</p> | |
| 1 of 3 | | |

MODEL NUMBER NOTES

75011719

REV.
A

Precedent Heat Pump

Example Model Number:

WSC048H3R0A0AM0B3000601D20100F0
1 - - - 5 - - - 10 - - - 15 - - - 20 - - - 25 - - - 30 -

Model Number Notes

- (1) High pressure control is standard on all units
- (2) Manual outside air damper will ship factory supplied within the unit, but must be field installed.
- (3) Economizer with Barometric Relief is for downflow configured units only. Order Economizer without Barometric Relief for horizontal configuration. Barometric Relief for horizontal configured units must be ordered as a field installed accessory.
- (4) Multi-Stage, direct drive standard.
- (5) SZVAV/MZVAV available only on 3 to 5 tons high efficiency and 10 ton standard efficiency unit.
- (6) Multi-speed indoor fan only available only on 3 to 5 tons high efficiency and 10 ton products.
- (7) Through the base electric required when ordering disconnect/circuit breaker options.
- (8) Includes gas piping and shutoff (field assembly required).
- (9) Requires use of Disconnect or Circuit Breaker.
- (10) Must be used with BACnet ® open protocol.
- (11) Standard metering devices are TXVs.
- (12) Frostat standard on multi-speed and SZVAV (single zone variable air volume) products.
- (13) Crankcase heater is standard on all 3 to 5 ton heat pumps.
- (14) The return air smoke detector may not fit up or work properly on the Precedent units when used in conjunction with 3rd party accessories such as bolt on heat wheels, economizers and power exhaust. Do not order the return air smoke detectors when using this type of accessory.
- (15) Demand Control Ventilation Option includes wiring only. The CO₂ sensor is a field-installed only option.

