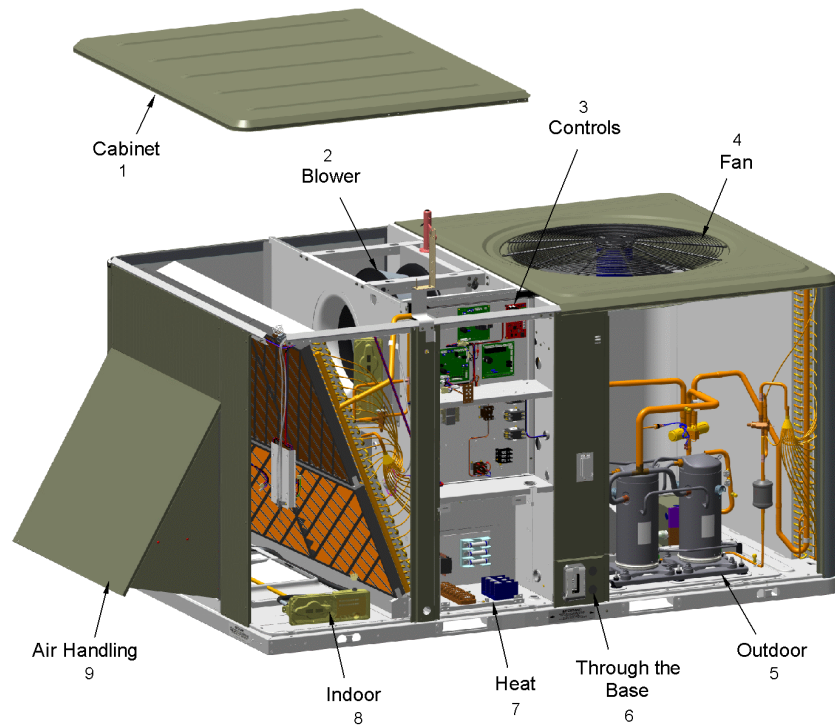


PACKAGED HEAT PUMP

75013211

RP
A

The sections that appear on this illustration are for all options.
Sections and options will appear in the Parts List if factory installed



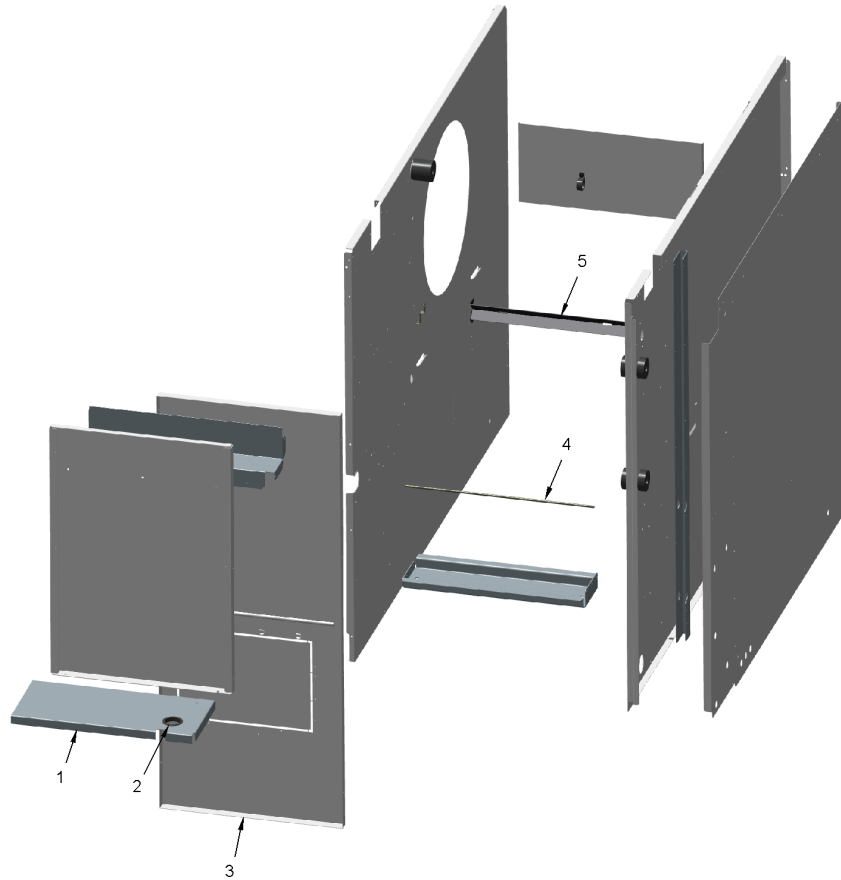
This is a typical illustration. The unit in the field may not appear exactly as shown.

Part No.	Reference No.	Quantity	Description
75013228	1		CABINET - TOP COVERS
75012459	1		INTERIOR SHEET METAL
75013230	1		UNIT BASE COMPONENTS
75012242	2		BLOWER - INDOOR, PLENUM FAN
75013554	3		CONTROL PANEL - LOWER SECTION
75013223	3		CONTROL PANEL - UPPER SECTION
75013560	3		HARNESS - CONTROLS
75012838	3		HARNESS - OPTIONS
75011855	3		TERMINAL BLOCK - CONTROLS (CTB)
75010574	4		FAN
75013336	5		OUTDOOR - COILS, COMPRESSOR
75012511	5		OUTDOOR AIR TEMP SENSOR
75010619	8		FROSTAT
75013357	8		INDOOR COIL, FILTERS, DRAIN PAN
NGRAPHIC	10		OPTIONAL FIELD INSTALLED ACCESSORIES
75012766	11		MODEL NUMBER DESCRIPTION, DIGITS 1-16
75012767	11		MODEL NUMBER DESCRIPTION, DIGITS 17-31

INTERIOR SHEET METAL

75012459

RP
A



This is a typical illustration. The unit in the field may not appear exactly as shown.

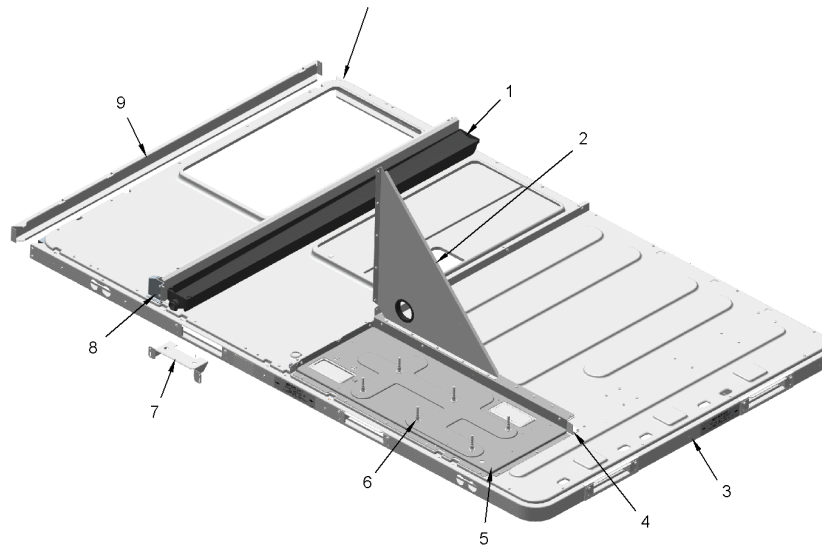
Part No.	Reference No.	Quantity	Description
PNL26793	1	1	PANEL; TOP WRAPPER, HEAT, 19.59 X 8.41, INCLUDES BUSHING AND INSULATION
BUS00338	2	1	BUSHING; SNAP, 2.00 INCH OD X 1.63 ID, MAX PANEL THICKNESS 0.125, BLACK NYLON
PNL26796	3	1	PANEL; ELECTRIC HEAT, CONTROLS AND ELEMENT MTG, 47.35 X 19.62
ROD01137	4	1	ROD; SUPPORT, 20 INCHES
BRK04552	5	1	BRACKET; ELECTRIC HEAT SUPPORT

UNIT BASE COMPONENTS

75013230

RP
A

Unit Base Pans not available - not recommended as a replaceable part



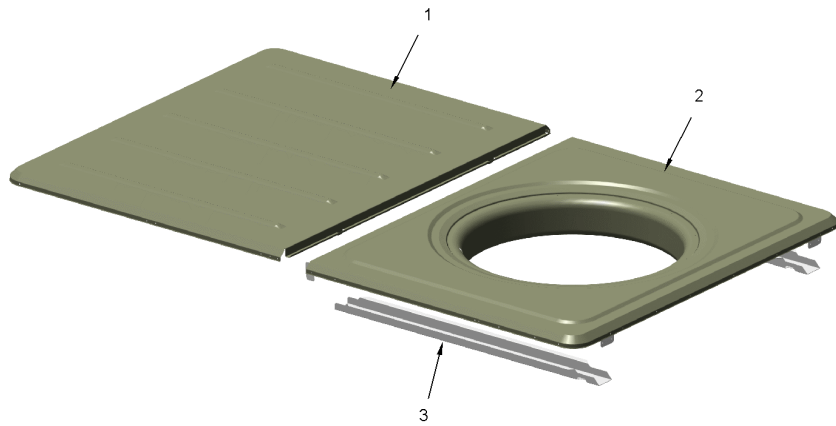
This is a typical illustration. The unit in the field may not appear exactly as shown.

Part No.	Reference No.	Quantity	Description
BRK03911	2	1	BRACKET; COMPRESSOR SUPPORT, 25.0 X 23.8 X 34.5
BUS02204	2	1	BUSHING; SNAP, 3.50 INCH OD X 2.94 ID, MAX PANEL THICKNESS 0.25, BLACK NYLON
RAL01006	3	1	RAIL; BASE, 99.59 X 63.22 (3 SIDES,U SHAPED)
CNL01752	4	1	CHANNEL; MOUNTING PLATE SUPPORT, COMPRESSOR, 39.24 X 2.09 X 17.0
PLT06391	5	1	PLATE; COMP MTG (MANIFOLD)
NUT00890	6	6	NUT; PALLET, 5/16-18 UNC 2B THD.
BRK03274	7	4	BRACKET; BASE SUPPORT MOUNT, 10.3 LENGTH (FORKLIFT BRACKET)
BRK03910	8	1	BRACKET; INDOOR COIL SUPPORT, 3.3 X 3.0
RAL01007	9	1	RAIL; BASE, END, 63.10 LENGTH

TOP COVERS

75013228

RP
A



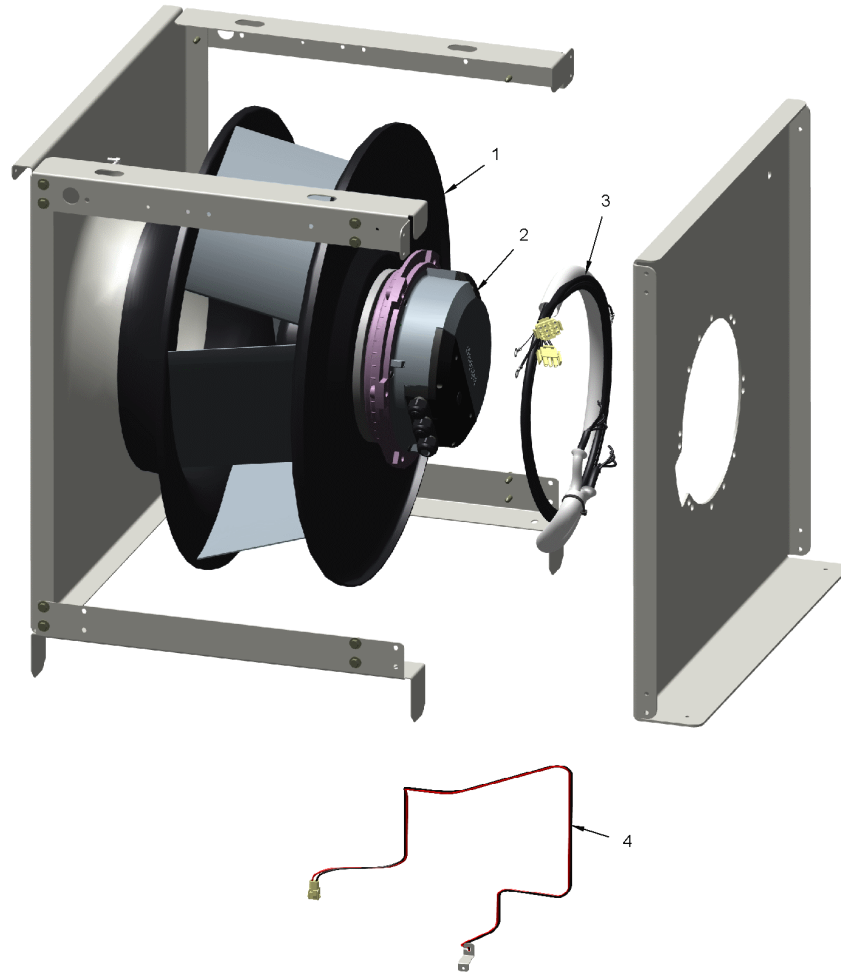
This is a typical illustration. The unit in the field may not appear exactly as shown.

Part No.	Reference No.	Quantity	Description
PAI00074	*	1	PAINT; SPRAY, SLATE GREY, FULL GLOSS(88) (SHIPPING UOM 12 OZ HAZ)
COV04134	1	1	COVER; TOP, OUTDOOR, 62.24 X 48.64
COV04133	2	1	COVER; TOP, INDOOR, 64.24 X 50.16
CNL01756	3	2	CHANNEL; FIXED, OUTDOOR TOP, 47.11L

BLOWER - INDOOR, PLENUM FAN

75012242

REV.
A



This is a typical illustration. The unit in the field may not appear exactly as shown.

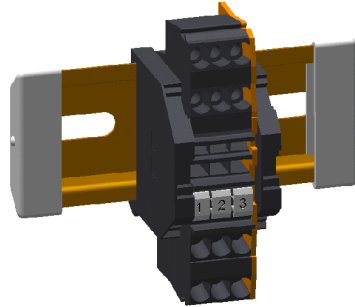
Part No.	Reference No.	Quantity	Description
SCR01421	*	6	SCREW; M10 X 25
SCR01557	*	16	SCREW; SHEET METAL 0.25-14 X 0.62, HEX HEAD, SLATE GRAY COLOR
WAS00622	*	6	WASHER;10MM ID X 18.1 OD
FAN05496	1	1	FAN; ASSEMBLY; INDOOR PLENUM FAN; 380-480V
MOD02789	2	1	MODULE; ELECTRONICS, ATTACHES TO EBM MOTOR ASSEMBLY, 460V, INCLUDES WIR05194
CON00105	3	1	CONNECTOR; HOUSING; 12 CKT SOCKET HSG MALE
CON00486	3	1	CONNECTOR; PLUG HOUSING, 3 PIN MALE
WIR05194	3	1	WIRE; HARNESS, INDOOR FAN MOTOR (1Z,2S,3S,GND,37B,39B,40B,41B,45B,108C,158E)
WIR08703	4	1	WIRE; HARNESS, LED, WITH BRACKET

TERMINAL BLOCK - CONTROLS (CTB)

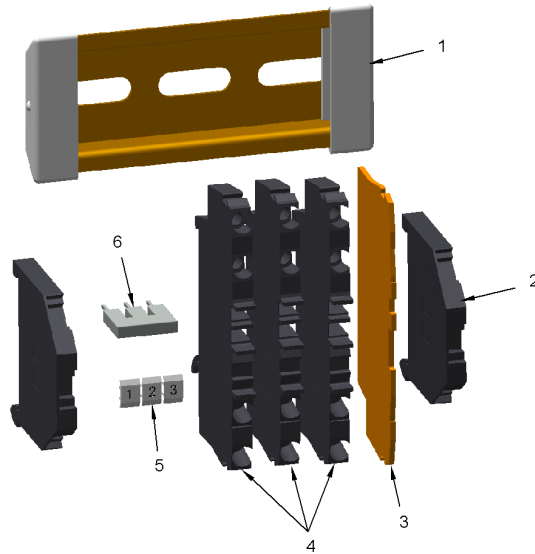
75011855

REV.
A

This assembly is a component of the Common Controls Harness



Reference - complete assembly

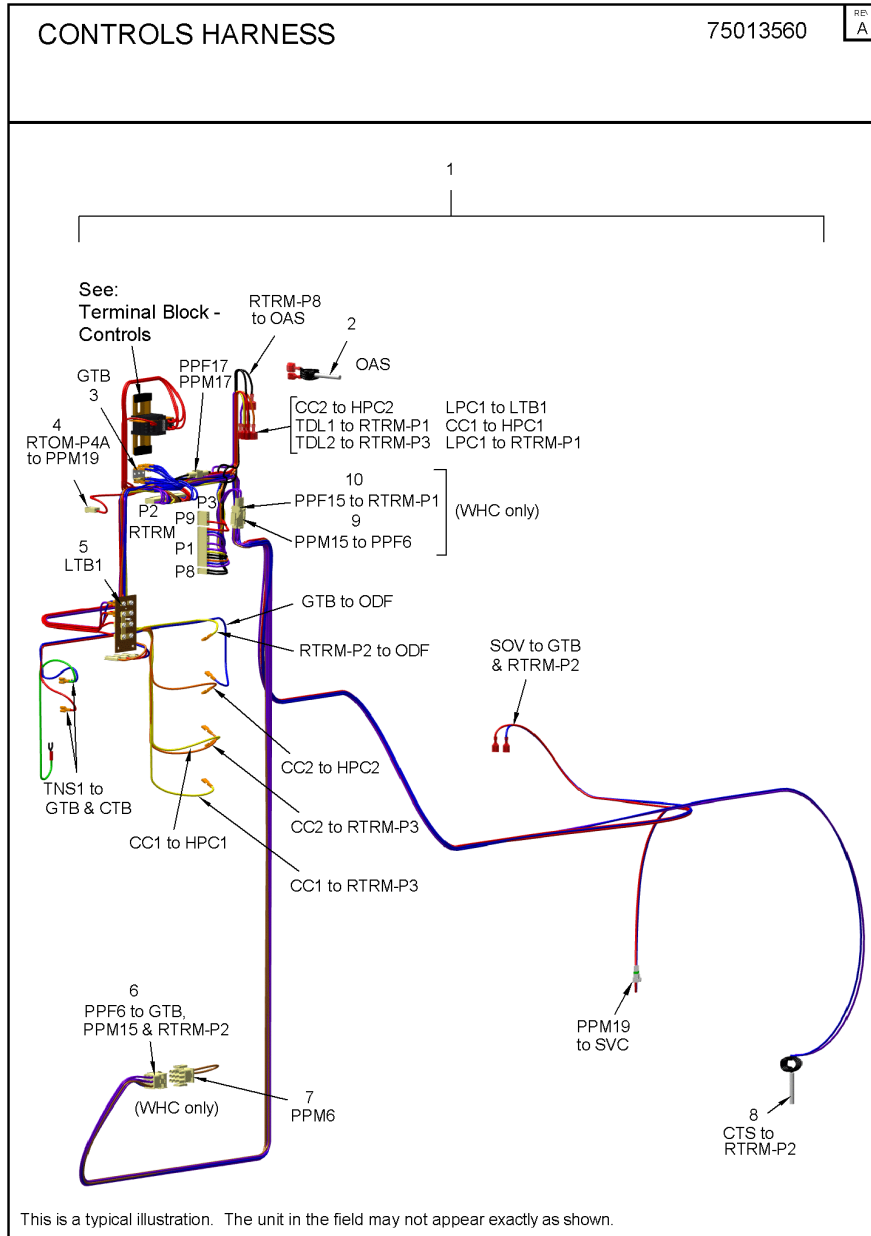


This is a typical illustration. The unit in the field may not appear exactly as shown.

Parts List Number :WHCUP2

Model Number :WHC120H4R0A0033

Part No.	Reference No.	Quantity	Description
CAP01251	1	2	CAP; PROTECTIVE FORM CAP
TER01332	2	2	TERMINAL; BLOCK, END STOP
PLT04051	3	1	PLATE; 4 CONDUCTOR POLE END PLATE
TER01334	4	3	TERMINAL; BLOCK, 4 CONDUCTOR POLE 20A 600V
TER01351	5	1	TERMINAL; BLOCK, POLE MARKING 1-10 VERT
TER01354	6	1	TERMINAL; BLOCK, 3 POLE JUMPER

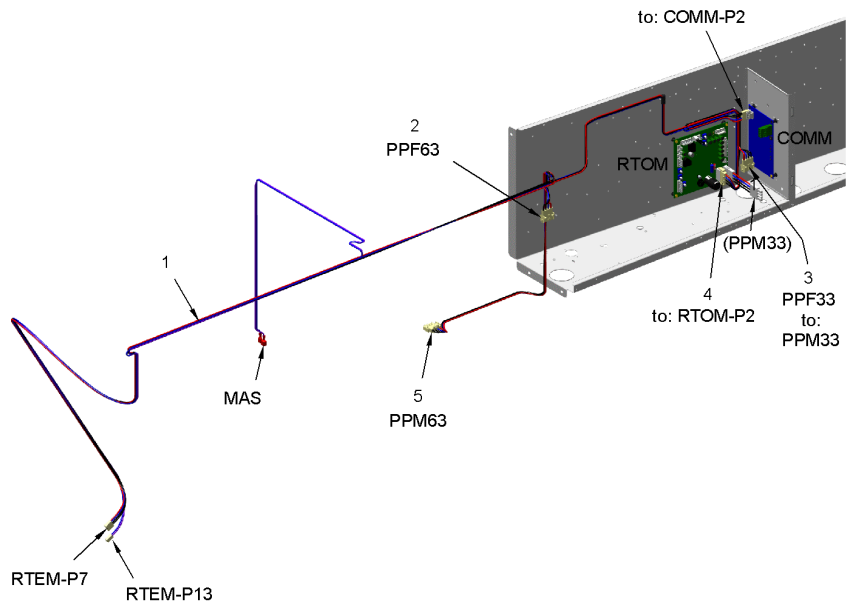


Part No.	Reference No.	Quantity	Description
WIR09482	1	1	WIRE; HARNESS; E CAB, CNTLS, HEAT PUMP, DUAL COMPRESSOR, STAGED + FIXED
SEN01829	2	1	SENSOR; THERMISTOR PROBE, -40 TO 65C, .25 DIA X 1.75 LG W/26" PVC LEADS-INSUL QC
TER01680	3	1	TERMINAL STRIP; .25IN. FASTON
CON00377	4	1	CONNECTOR; RECEPTACLE-3 PIN (.156 CTRS, 18-22 AWG)
BLK00940	5	1	BLOCK; 6 TERMINALS (LVTB)
TER00381	6	1	TERMINAL;SOCKET HOUSING, 9 CKT
PLU00325	7	1	PLUG; CONNECTOR, POLARIZED, 9 PIN MALE, NYLON, NATURAL COLOR
SEN00275	8	1	SENSOR; THERMISTOR PROBE, -40 DEG C TO 65 DEG C, 12 INCH STRIPPED LEADS
CON01303	9	1	CONNECTOR; HOUSING, 2 CKT PLUG HSG
CON01305	10	1	CONNECTOR; HOUSING, 2 CKT, CAP HSG

OPTIONS HARNESS

75012838

RP
A



This is a typical illustration. The unit in the field may not appear exactly as shown.

Part No.	Reference No.	Quantity	Description
WIR09478	1	1	WIRE; HARNESS; D/E-CAB, CNTLS, OPTIONS
HUS03378	2	1	HOUSING; SOCKET, 4 CIRCUIT
HUS03378	3	1	HOUSING; SOCKET, 4 CIRCUIT
HUS03379	4	1	HOUSING; PLUG CONNECTOR, 4 CIRCUIT
HUS03379	5	1	HOUSING; PLUG CONNECTOR, 4 CIRCUIT

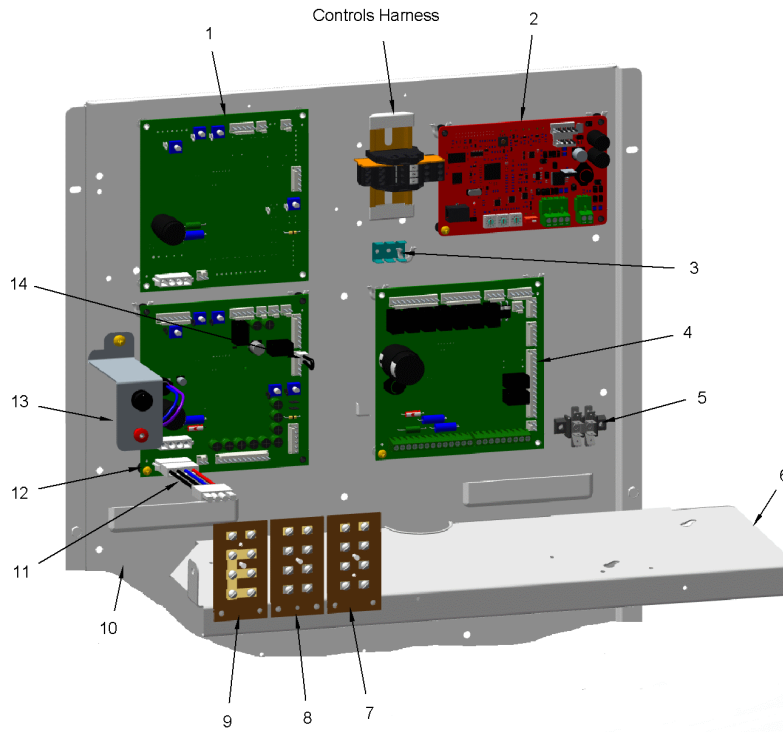
CONTROL PANEL

75013223

RP
A

Upper Section

The parts that appear on this illustration are for all options.
Parts will appear in the Parts List if factory installed.



This is a typical illustration. The unit in the field may not appear exactly as shown.

Part No.	Reference No.	Quantity	Description
TER01680	3	1	TERMINAL STRIP; .25IN. FASTON
MOD02919	4	1	MODULE; RELIATEL REFRIGERATION DUAL CIRCUIT COOL/HP
PNL26792	6	1	PANEL; CONTROL BOX DIVIDER PANEL, 19.61 X 6.86
BLK00940	9	1	BLOCK; 6 TERMINALS (LVTB)
PNL26791	10	1	PANEL; CONTROL BOX MOUNTING PANEL, 28.28 X 18.95
WIR03277	11	1	WIRE; HARNESS, OPTION MODULE GENDER CHANGER. BK, BL, RD WIRES. 4 INCH LENGTH. PPM33
MOD02554	12	1	MODULE; RELIATEL OPTIONS, RTOM
WIR03278	14	1	WIRE; HARNESS, SUPPLY AIR TEMPERING, BK WIRE, 3 INCHES LENGTH, RTOM 5J3-1 TO 5J3-2

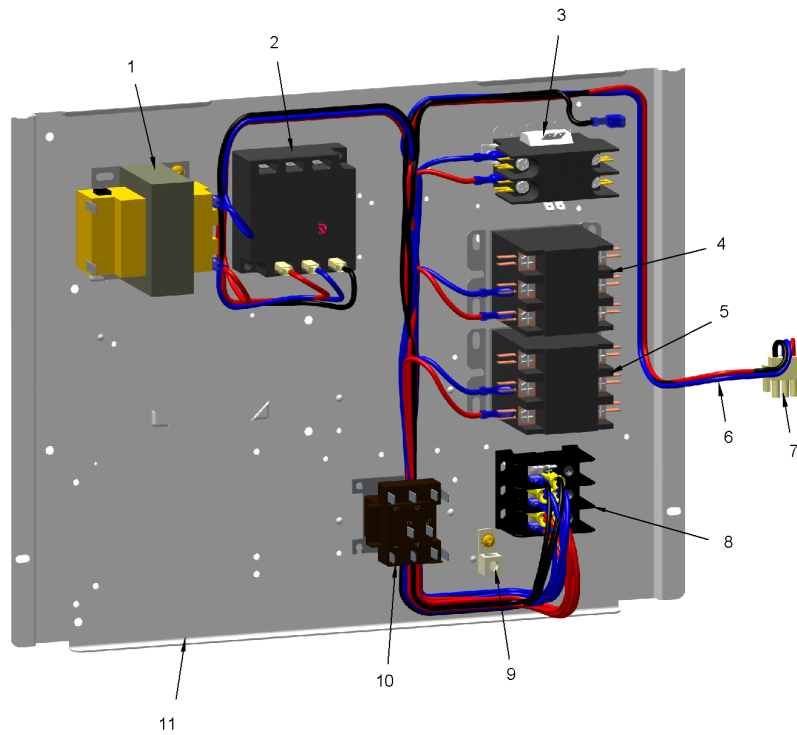
CONTROL PANEL

75013554

RP
A

Lower Section

The parts that appear on this illustration are for all options.
Parts will appear in the Parts List if factory installed.



This is a typical illustration. The unit in the field may not appear exactly as shown.

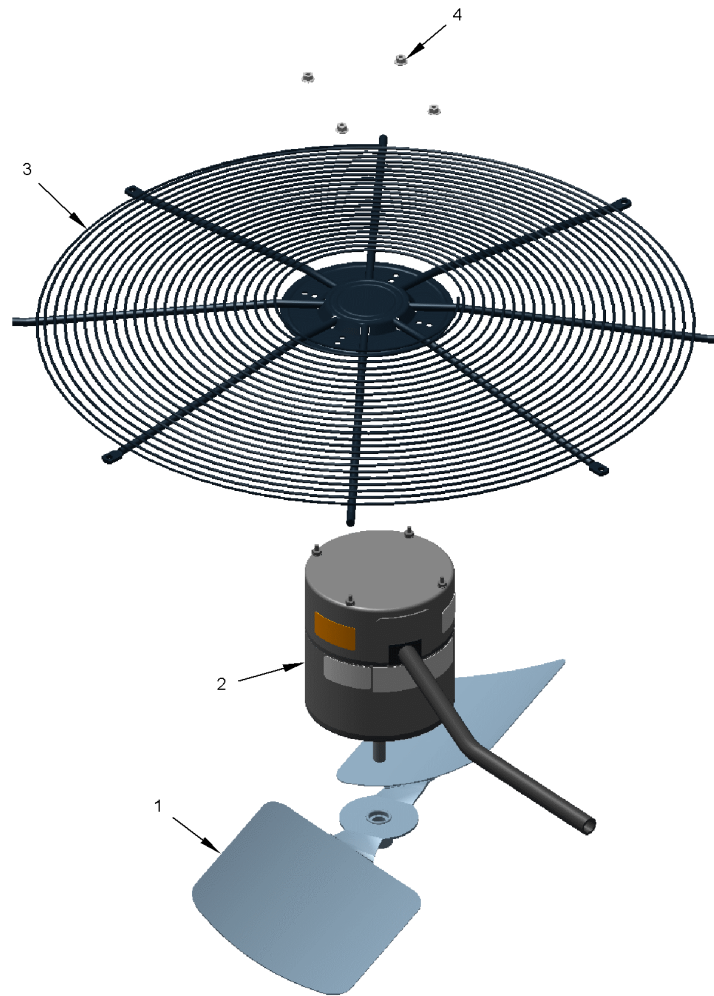
Part No.	Reference No.	Quantity	Description
TRR02935	1	1	TRANSFORMER, 100 VA, 460 V
CNT05176	2	1	CONTROL; MONITOR, 3-PHASE LINE, UNIVERSAL 180-632 VAC, PHASE AND LOSS REVERSAL
CTR01203	3	1	CONTACTOR; 2P, 30A, 24V COIL, 30 FLA AT 277V
CTR01203	4	1	CONTACTOR; 2P, 30A, 24V COIL, 30 FLA AT 277V
CTR01203	5	1	CONTACTOR; 2P, 30A, 24V COIL, 30 FLA AT 277V
WIR09480	6	1	WIRE; HARNESS; POWER (INCLUDES HTB1 43669433)
CON00486	7	1	CONNECTOR; PLUG HOUSING, 3 PIN MALE
CON00077	9	1	CONNECTOR, ELECTRIC GROUND, 14-2 AWG SOLDERLESS
WAS00611	9	1	WASHER;LOCK, .19 ID X .39 OD
PNL26791	11	1	PANEL; CONTROL BOX MOUNTING PANEL, 28.28 X 18.95

FAN

75010574

REV.
A

TYPICAL ILLUSTRATION

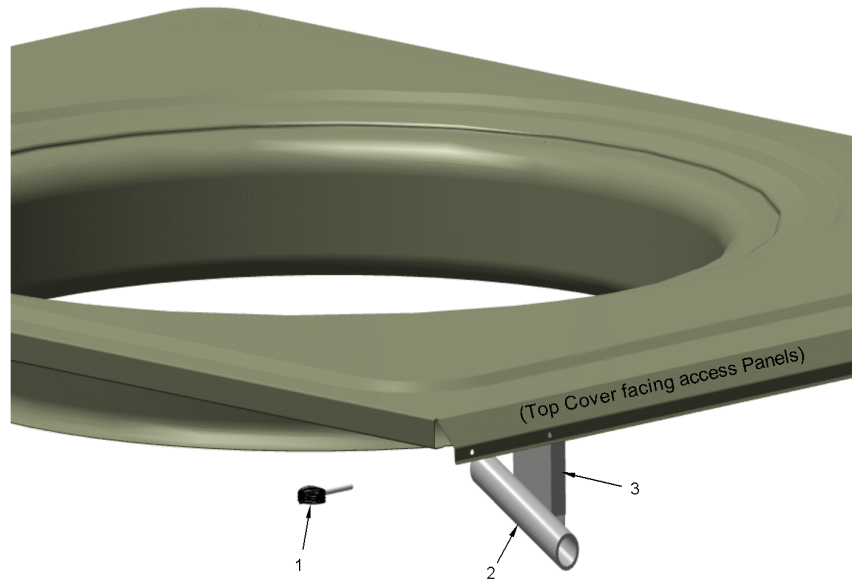


Part No.	Reference No.	Quantity	Description
FAN04206	1	1	FAN; 2 BLADE, 30.36 IN DIA, 18 DEG PITCH, CW, 5/8 BORE
MOT17380	2	1	MOTOR; 3 PHASE 3/4 HP 460/60/3
GRL01664	3	1	GRILLE; OUTDOOR FAN, 35 INCH MTG DIA
NUT00845	4	4	NUT; FLANGE NIBBED

OUTDOOR AIR TEMP SENSOR

75012511

RP
A



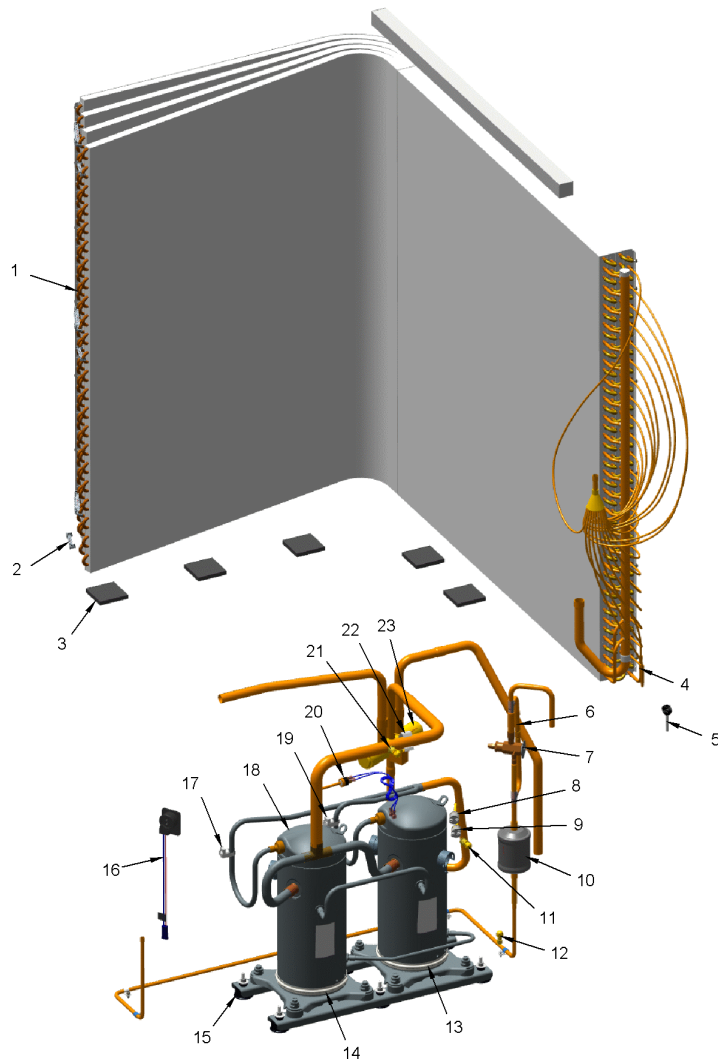
This is a typical illustration. The unit in the field may not appear exactly as shown.

Part No.	Reference No.	Quantity	Description
SEN00275	1	1	SENSOR; THERMISTOR PROBE, -40 DEG C TO 65 DEG C, 12 INCH STRIPPED LEADS
TUB10945	2	1	TUBE; PVC, OUTDOOR AIR SENSOR, 1.0 ID X 6 IN LENGTH
BRK03916	3	1	BRACKET; OUTDOOR AIR TEMP SENSOR

REFRIGERATION
OUTDOOR COIL, COMPRESSORS, CTS

75013336

RP
A



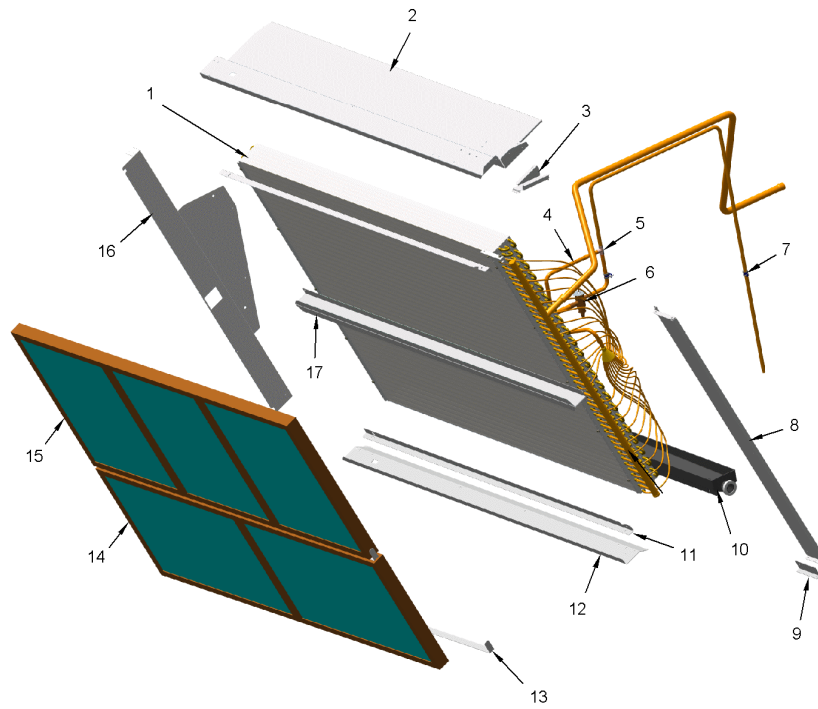
This is a typical illustration. The unit in the field may not appear exactly as shown.

Part No.	Reference No.	Quantity	Description
PLU01050	*	1	PLUG; SCROLL COMPRESSOR HARNESS, CKT1, 14GA, 4A-RD, 6C-BL, 3C-BK, 62 IN LENGTH
WIR03439	*	1	WIRE; HARNESS, COMPRESSOR, 14 AWG, CC2, 62 IN LENGTH (3 WIRE-RK,BL,BK)
COL28885	1	1	COIL; OUTDOOR, 80.00 L X 46.00 H
KIT15254	2	18	KIT; OUTDOOR COIL CLIPS, BLACK PLASTIC, 3.878 LENGTH (PACKAGE OF 6 CLIPS)
INS01666	3	5	INSULATION; 0.40 X 3.00 X 3.00
HLD00225	4	1	HOLDER; FUSE, FOR TRANSFORMER #1491-N100
SEN00275	5	1	SENSOR; THERMISTOR PROBE, -40 DEG C TO 65 DEG C, 12 INCH STRIPPED LEADS
TEE00143	6	2	MIN=50/50 TEE; 0.50C X 0.50C X 0.50C
VAL19186	6	1	VALVE; CHECK VALVE
VAL19148	7	1	VALVE; KT-43-VC 5'(1.5M) ELEMENT
SWT03402	8	1	SWITCH; HIGH PRESSURE, BRAZED, OPENS AT 650 PSIG, CLOSES AT 550 PSIG, 61 INCH WHITE LEADS
SWT03403	9	1	SWITCH; HIGH PRESSURE, BRAZED, OPENS AT 650 PSIG, CLOSES AT 550 PSIG, 61 INCH ORANGE LEADS
DHY01467	10	1	DRIER; BI-FLOW; SERVICE FIRST; 16 CU. IN.; DCB164S, 1/2 ODF CONNECTIONS; 9.1 TON CAPACITY; MANUFACTURED FOR TRANE BY DANFOSS
CAP00072	11	1	CAP; VALVE, SEAL, .25 FFL
SET00819	11	1	SEAT; SADDLE MOUNT ASSEMBLY
STM00803	11	1	STEM; SADDLE MOUNT, VALVE CORE, BRASS, .344 DIA X 1.29 SCHRAEDER TYPE FITTING (TO INCLUDE 5 PIECES)
CAP00072	12	1	CAP; VALVE, SEAL, .25 FFL
COR00006	12	1	CORE; VALVE PORT, .79 LENGTH, .206-36 UNS 2A THD
VAL01483	12	1	VALVE; BODY, .44-20 THD X .25 ODS, STRAIGHT, BRASS, LESS CORE
HTR10244	13	1	HEATER; CRANKCASE, 40W, 575V, (32W AT 460V) 18AWG W/2 LEADS - ONE IS 65" LG W/ 1/4 INSUL FEMALE QC - ONE IS 65" LG W/ 1/4 UNINSUL FEMALE QC
HTR03909	14	1	HEATER; CRANKCASE, 40W, 575V, 6.5 DIA, 70 IN LEAD LENGTHS (32W AT 460V)
ISR00305	15	6	ISOLATOR; VIBRATION COMPRESSOR
NUT00355	15	6	NUT; HEX, LOCK, 5/16IN.-18
NUT00890	15	6	NUT; PALLET, 5/16-18 UNC 2B THD.
PLU01302	16	1	PLUG; COMPRESSOR; 2 STAGE SOLENOID WITH RECTIFIER, 2 PIN, 20 AWG, 10 IN LENGTH, (2 WIRE-RD,BL)
THT02761	17	1	THERMOSTAT; WITH CLIP, .5/.625 TUBE, 72" RED WIRES, SPST, 230F OPEN, 180F CLOSE
COM12300	18	1	COMPRESSOR; TANDEM SCROLL SET, 3-STAGE, 460/60/3, R410A, CONSISTS OF (2) COMPRESSORS - (1) 5.0 TON & (1) 4.3 TON
THT02760	19	1	THERMOSTAT; WITH CLIP, .5/.625 TUBE, 72" BLACK WIRES, SPST, 230F OPEN, 180F CLOSE
SWT03173	20	1	SWITCH; LOW PRESSURE CUTOUT, 250 OPEN, ACTUATION PRESSURE 41 +/- 4, RESET PRESSURE 25 +/- 4
WIR04406	20	1	WIRE; HARNESS, LOW PRESSURE SWITCH, 42 IN LENGTH, BLUE WIRES, CIR 1
CAP00072	21	1	CAP; VALVE, SEAL, .25 FFL
SET00819	21	1	SEAT; SADDLE MOUNT ASSEMBLY
STM00803	21	1	STEM; SADDLE MOUNT, VALVE CORE, BRASS, .344 DIA X 1.29 SCHRAEDER TYPE FITTING (TO INCLUDE 5 PIECES)
HLD00707	22	1	HOLDER; CLIP; TUBE; BULB, 1.125 OD TUBE
VAL18906	23	1	VALVE; REVERSING

INDOOR COIL

75013357

RP
A



This is a typical illustration. The unit in the field may not appear exactly as shown.

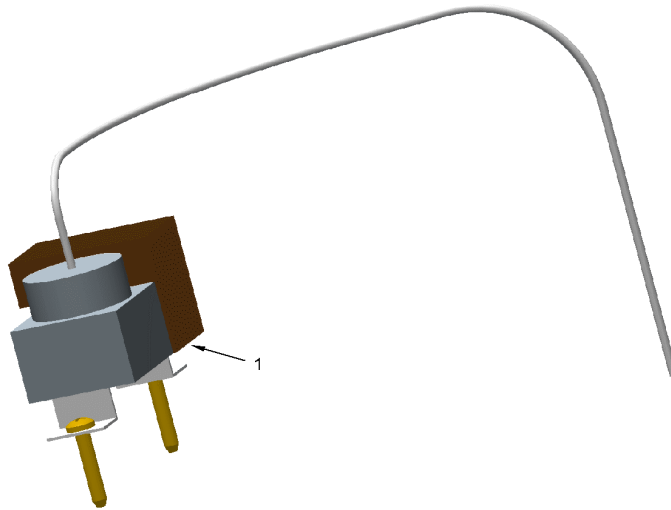
Part No.	Reference No.	Quantity	Description
COL28881	1	1	COIL; INDOOR, INCLUDES DISTRIBUTOR-NOT THE TXV, 55.72 L X 44.00 H
BOF02310	2	1	BLOCKOFF; INDOOR COIL TOP
VAL19186	4	1	VALVE; CHECK VALVE
TEE00143	5	2	MIN=50/50 TEE; 0.50C X 0.50C X 0.50C
VAL19159	6	1	VALVE; EXPANSION
CMP00225	7	2	CLAMP; TUBE .50 DIA
BRK03234	9	2	BRACKET; INDOOR COIL, BOTTOM, 0.65 X 4.39 X 1.50
BRK04232	17	2	BRACKET; FILTER SEPARATOR

FROSTAT

75010619

REV.
A

TYPICAL ILLUSTRATION



Part No.	Reference No.	Quantity	Description
WIR03422	*	1	WIRE; HARNESS, FROSTAT, RELIATEL, 144A(PR), 145A(RD), 93 IN LENGTH
CNT03775	1	1	CONTROL; DEFROST, SPDT, 10-50F, 50/52.5 INCH CAPILLARY

Part No.	Reference No.	Quantity	Description
ASYSTAT250A	*	1	NO DESCRIPTION AVAILABLE
ASYSTAT251A	*	1	NO DESCRIPTION AVAILABLE
ASYSTAT712A	*	1	SENSOR; CO2 SENSING KIT; WALL MOUNTED (ASYSTAT712A)
ASYSTAT714A	*	1	SENSOR; CO2 SENSING KIT; DUCT MOUNTED (ASYSTAT714A)
BAYABRD001C	*	1	KIT; ACCESSORY, OPTIONS BOARD (BAYABRD001CA)
BAYBARM011A	*	1	DAMPER; BAROMETRIC RELIEF (BAYBARM011AB)
BAYBCIR001A	*	1	KIT; FIELD INSTALLED BCI (BAYBCIR001A)
BAYCO2K001B	*	1	KIT; CO2 SENSING (A RELIATEL ECONOMIZER MODULE WITH DCV CONNECTIONS MUST BE USED WITH THIS KIT)
BAYCO2K003B	*	1	KIT; CO2 DEMAND-CONTROLLED VENTILATION DUCT SENSOR (A RELIATEL ECONOMIZER MODULE WITH DCV CONNECTIONS MUST BE USED WITH THIS KIT)
BAYCO2K101A	*	1	KIT; WALL MOUNT CO2 SENSOR KIT
BAYCO2K103A	*	1	KIT;DUCT MOUNT CO2 SENSOR KIT
BAYCURB044A	*	1	ROOF CURB
BAYDFPS004A	*	1	KIT; FAN FAILURE SWITCH (BAYDFPS004AB). (OPTIONS BOARD KIT09433-BAYABRD001CA MUST BE INSTALLED IN THE UNIT FOR THIS ACCESSORY TO OPERATE).
BAYDMPR054A	*	1	DAMPER; RELIATEL, 0-50 PERCENT MOTORIZED OUTSIDE AIR DAMPER (BAYDMPR054A)
BAYDMPR056B	*	1	DAMPER; 0-50% MANUAL OUTSIDE AIR DAMPER (BAYDMPR056BA)
BAYECON087A	*	1	ECONOMIZER; RELIATEL, 0-100 PERCENT DRY BULB (BAYECON087A)
BAYECON704A	*	1	ACCESSORY; LOW LEAK ECONOMIZER, FOR C/D/E CABINETS WITH RELIATEL CONTROLS (SEE ACC-SVN177* FOR MODELS)
BAYENTH005A	*	1	KIT; REFERENCE ENTHALPY (BAYENTH005A)
BAYENTH006B	*	1	KIT; COMPARATIVE ENTHALPY (BAYENTH006B)
BAYGARD270A	*	1	ACCESSORY; HAIL GUARD, CONDENSER COIL - E CAB
BAYHTRB418A	*	1	ELECTRIC HEATER; 460-480/60/3, 18KW
BAYHTRB427A	*	1	ELECTRIC HEATER; 460-480/60/3, 9/18KW
BAYHTRB436A	*	1	ELECTRIC HEATER; 460-480/60/3, 18/18KW
BAYHTRB454A	*	1	ELECTRIC HEATER; 460-480/60/3, 18/36KW
BAYICSI003A	*	1	BOARD; ACCESSORY, RELIATEL COMMUNICATIONS INTERFACE BOARD (BAYICSI003AD)
BAYLMSW001A	*	1	POWER EXHAUST LIMIT SWITCH
BAYLOAM020B	*	1	CONTROL; EVAPORATOR DEFROST KIT (FROSTAT) (BAYLOAM020BB). (OPTIONS BOARD KIT09433-BAYABRD001CA MUST BE INSTALLED IN THE UNIT FOR THIS ACCESSORY TO OPE
BAYLOAM120A	*	1	KIT; EVAPORATOR DEFROST, CLIP-ON, RELIATEL
BAYLTCI002B	*	1	KIT; RELIATEL COMMUNICATIONS INTERFACE THAT INCORPORATES LONTALK PROTOCOL (BAYLTCI002BB)
BAYLTCI003A	*	1	THERMOSTAT; FIELD INSTALLED LCI
BAYPWRX027A	*	1	KIT; POWER EXHAUST, 460V (BAYPWRX027A)
BAYQACB111A	*	1	QUICK ADAPTER ROOF CURB
BAYQACB112A	*	1	QUICK ADAPTER ROOF CURB
BAYQACB113A	*	1	QUICK ADAPTER ROOF CURB
BAYRTEM001A	*	1	RELIATEL ECONOMIZER LOGIC MODULE
BAYSENS250A	*	1	CO2 SENSOR
BAYSENS251A	*	1	SENSOR; CO2 WALL MOUNT (BAYSENS251A)
BAYTUBE403A	*	1	DISCHARGE AIR SENSING; ELECTRIC HEAT
BAYVNOR001B	*	1	KIT; VENTILATION OVERRIDE (BAYVNOR001BB) (OPTIONS BOARD KIT09433-BAYABRD001CA MUST BE INSTALLED IN THE UNIT FOR THIS ACCESSORY TO OPERATE).
PLT04561	*	1	PLATE; WALL COVER PLATE ASSEMBLY (BAYMTPL110A)
SEN00278	*	1	SENSOR; THERMISTOR PROBE, -40 DEG C TO 65 DEG, STRIPPED LEADS (BAYSENS016AA)
SEN01430	*	1	SENSOR; TEMPERATURE, WIRELESS DISPLAY SENSOR/RECEIVER SET, W/ TRANE LOGO, SETPOINT, TOV
SEN01447	*	1	SENSOR; ZONE, ROOM SENSOR W/TEMP. ADJUSTMENT WITH OVERRIDE AND CANCEL BUTTONS, 10K, DIAL, OCCUPIED (BAYSENS074AA)

Parts List Number :WHCUP2

Model Number :WHC120H4R0A0033

Part No.	Reference No.	Quantity	Description
SEN01450	*	1	SENSOR; ZONE, ROOM SENSOR W/ OVERRIDE AND CANCEL BUTTONS, 10K, OCCUPIED (BAYSENS073AA)
SEN01513	*	1	SENSOR; ZONE; DUAL SETPOINT MANUAL OR AUTO CHANGOVER, TWO SET FAN SYSTEM (BAYSENS108AA)
SEN01515	*	1	SENSOR;ZONE SINGLE SETPOINT MANUAL CHANGOVER, SET FAN SYSTEM, COOL/OFF/HEAT (BAYSENS106A)
SEN01522	*	1	SENSOR; ZONE, DUAL SETPOINT MANUAL OR AUTO CHANGOVER W/SYSTEM FUNCTION LIGHTS TWO SET FAN SYSTEM, LED (BAYSENS110A)
SEN01561	*	1	SENSOR; ZONE, WALL MOUNTED HUMIDITY, 4-20MA (BAYSENS036A) 3-10 PRECEDENT
SEN01577	*	1	SENSOR; PROGRAMMABLE ZONE, AUTOMATIC OR MANUAL CHANGOVER W/ SYSTEM LIGHTS TRANE (BAYSENS119AA)
TOL00099	*	1	TOOL; RESISTANCE DECADE BOX

<p>MODEL NUMBER DESCRIPTION 75012766</p> <p>DX Cooling / DX Cooling, Gas Heat / Pkg Heat Pump</p>		<p>RP A</p>
<p><i>Example Model Number:</i></p> <p>YSC092H3RZA00C6C2A1A000DEA11A0D1</p> <p>1 - - - - 5 - - - - 10 - - - - 15 - - - - 20 - - - - 25 - - - - 30 - - - -</p>		
<p>Digit 1 – Unit Type D = Dual Fuel Heat Pump T = DX Cooling W = Packaged Heat Pump Y = DX Cooling, Gas Heat</p> <p>Digit 2 – Efficiency S = Standard Efficiency H = High Efficiency</p> <p>Digit 3 – Airflow C = Convertible</p> <p>Digits 4,5,6 – Nominal Gross Cooling Capacity (MBh) 072 = 6 Ton 074 = 6 Ton 090 = 7.5 Ton 092 = 7.5 Ton 102 = 8.5 Ton 120 = 10 Ton</p> <p>Digit 7 – Major Design Sequence H = Major Design Sequence</p> <p>Digit 8 – Voltage Selection 3 = 208-230/60/3 4 = 460/60/3 W = 575/60/3</p> <p>Digit 9 – Unit Controls E = Electromechanical R = ReliaTel™ Microprocessor</p> <p>Digit 10 – Heating Capacity <i>Note: Applicable to Digit 1, T or W models only</i> 0 = No Electric Heat C = 9 kW G = 18 kW K = 27 kW N = 36 kW P = 54 kW <i>Note: Applicable to Digit 1, D or Y models only</i> L = Low Heat M = Medium Heat H = High Heat X = Low Heat, Stainless Steel Heat Exchanger Y = Medium Heat, Stainless Steel Heat Exchanger Z = High Heat, Stainless Steel Heat Exchanger</p>	<p>Digit 11 – Minor Design Sequence A = First Sequence</p> <p>Digits 12, 13 – Service Sequence ** = Factory Assigned</p> <p>Digit 14 – Fresh Air Selection 0 = No Fresh Air A = Manual Outside Air Damper 0-50% B = Motorized Outside Air Damper 0-50% C = Economizer, Dry Bulb 0-100% without Barometric Relief D = Economizer, Dry Bulb 0-100% with Barometric Relief E = Economizer, Reference Enthalpy 0-100% without Barometric Relief F = Economizer, Reference Enthalpy 0-100% with Barometric Relief G = Economizer, Comparative Enthalpy 0-100% without Barometric Relief H = Economizer, Comparative Enthalpy 0-100% with Barometric Relief K = Low Leak Economizer with Barometric Relief M = Low Leak Economizer with Reference Enthalpy with Barometric Relief P = Low Leak Economizer with Comparative Enthalpy with Barometric Relief</p> <p>Digits 15 – Supply Fan/Drive Type/Motor 0 = Standard Drive 1 = Oversized Motor 6 = Single Zone VAV 7 = Multi-Speed Indoor Fan E = Multi-Zone Variable Air Volume</p> <p>Digit 16 – Hinged Service Access/Filters 0 = Standard Panels/Standard Filters A = Hinged Access Panels/Standard Filters B = Standard Panels/2" MERV 8 Filters C = Hinged Access Panels/2" MERV 8 Filters D = Standard Panels/2" MERV 13 Filters E = Hinged Access Panels/2" MERV 13 Filters</p>	
<p>1 of 2</p>		

MODEL NUMBER DESCRIPTION		75012767	<small>RP</small> A
DX Cooling / DX Cooling, Gas Heat / Pkg Heat Pump			
<i>Example Model Number:</i> YSC092H3RZA00C6C2A1A000DEA11AD1 <small>1 - - - - 5 - - - - 10 - - - - 15 - - - - 20 - - - - 25 - - - - 30 -</small>			
Digit 17 – Condenser Coil Protection 0 = Standard Coil 1 = Standard Coil with Hail Guard 2 = Black Epoxy Condenser Coil Guard 3 = Black Epoxy Condenser Coil with Hail Guard 4 = CompleteCoat Condenser Coil 5 = CompleteCoat Condenser Coil with Hail Guard	Digit 18 – Through the Base Option 0 = No Through-the-Base Provisions A = Through-the-Base Electric B = Through-the-Base Gas Piping C = Through-the-Base Electric and Gas Piping	Digit 19 – Disconnect/Circuit Breaker 0 = No Disconnect/No Circuit Breaker 1 = Unit Mounted Non-Fused Disconnect 2 = Unit Mounted Circuit Breaker	Digit 20 – Convenience Outlet 0 = Convenience Outlet A = Unpowered Convenience Outlet B = Powered Convenience Outlet
Digit 21 – Communications Options 0 = No Communications Interface 1 = Trane® Communications Interface 2 = LonTalk® Communications Interface 6 = BACnet® Communications Interface 7 = Air-Fi™ Wireless Communications Interface	Digit 22 – Refrigeration System Option 0 = Standard Refrigeration System	Digit 23 – Refrigeration Controls 0 = Without Refrigeration Controls 1 = Frostat™	Digit 24 – Smoke Detector 0 = No Smoke Detector A = Return Air Smoke Detector B = Supply Air Smoke Detector C = Supply and Return Air Smoke Detectors D = Plenum Smoke Detector
Digit 25 – System Monitoring Controls 0 = Standard Monitoring System 1 = Clogged Filter Switch 2 = Fan Failure Switch 3 = Discharge Air Sensing Tube 4 = Clogged Filter Switch and Fan Failure Switch 5 = Clogged Filter Switch and Discharge Air Sensing Tube 6 = Fan Failure Switch and Discharge Air Sensing Tube 7 = Clogged Filter Switch, Fan Failure Switch and Discharge Air Sensing Tube A = Condensate Drain Pan Overflow Switch B = Clogged Filter Switch and Condensate Drain Pan Overflow Switch C = Fan Failure Switch and Condensate Drain Pan Overflow Switch D = Discharge Air Sensing Tube and Condensate Drain Pan Overflow Switch E = Clogged Filter Switch, Fan Failure Switch and Condensate Drain Pan Overflow Switch F = Clogged Filter Switch, Discharge Air Sensing Tube and Condensate Drain Pan Overflow Switch G = Fan Failure Switch, Discharge Air Sensing Tube and Condensate Drain Pan Overflow Switch F = Clogged Filter Switch, Fan Failure Switch, Discharge Air Sensing Tube and Condensate Drain Pan Overflow Switch	Digit 26 – System Monitoring Controls 0 = No Monitoring Controls A = Demand Control Ventilation (CO ₂) B = Low Leak Economizer with FDD (Fault Detection & Diagnostics) C = FDD (Fault Detection & Diagnostics) with DCV (Demand Control Ventilation)	Digits 27 – Unit Hardware Enhancements 0 = No Enhancements 1 = Stainless Steel Drain Pan	Digit 31 – Advanced Unit Controls 0 = Standard Unit Controls 1 = Human Interface

