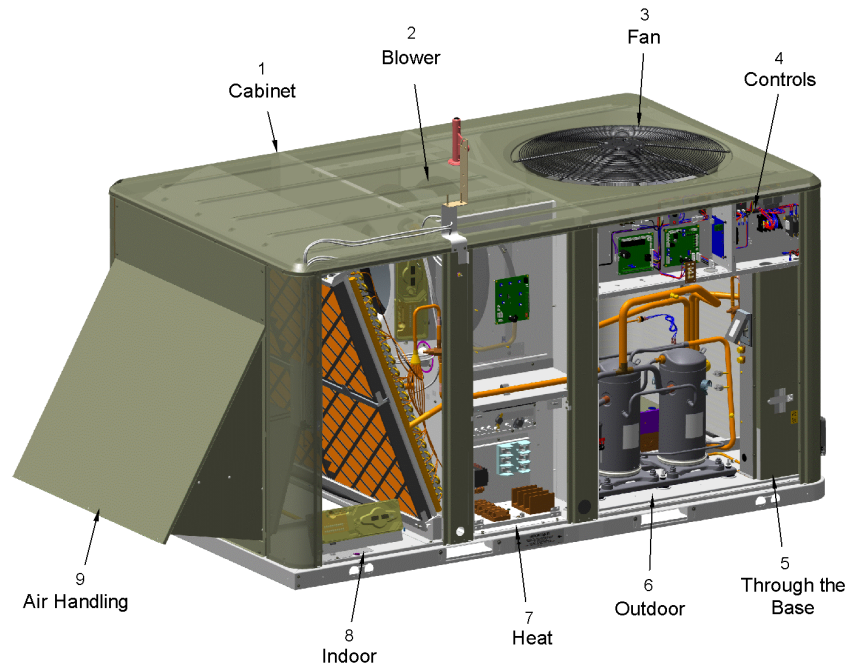


PACKAGED HEAT PUMP

75013225

RP
A

The sections and parts that appear on this illustration include options.
Sections and options will appear in the Parts List if factory installed.



This is a typical illustration. The unit in the field may not appear exactly as shown.

Parts List Number :WHCUP2

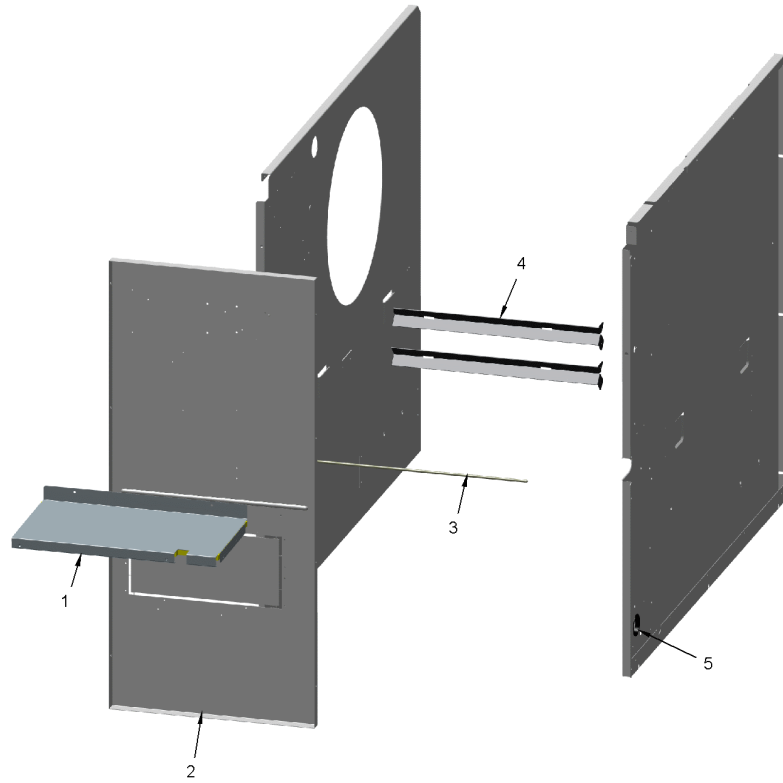
Model Number :WHC074H3R0B005D

Part No.	Reference No.	Quantity	Description
75012458	1		INTERIOR SHEET METAL
75013229	1		UNIT BASE COMPONENTS
75012242	2		BLOWER - INDOOR, PLENUM FAN
75012613	3		FAN
75013334	4		CONTROL PANEL
75011851	4		HARNESS - COMMON CONTROLS
75011857	4		HARNESS - CONTROLS WITH CTS, TO: GTB1,ODF,RTRM-P2,SOV
75013568	4		HARNESS - CONTROLS, TO: CC2,CTB,GTB,HPC2,LTB1,RTOM-P4A,RTRM-P3&P9,SVC,TDL2
75012838	4		HARNESS - OPTIONS
75013587	4		HARNESS - POWER
75011855	4		TERMINAL BLOCK - CONTROLS (CTB)
75010620	6		OUTDOOR AIR TEMP SENSOR
75013213	6		REFRIGERATION - OD COIL, COMPRESSORS, CTS
75010619	8		FROSTAT
75013359	8		INDOOR COIL, FILTERS, DRAIN PAN
NGRAPHIC	10		OPTIONAL FIELD INSTALLED ACCESSORIES
75012766	11		MODEL NUMBER DESCRIPTION, DIGITS 1-16
75012767	11		MODEL NUMBER DESCRIPTION, DIGITS 17-31

INTERIOR SHEET METAL

75012458

RP
A



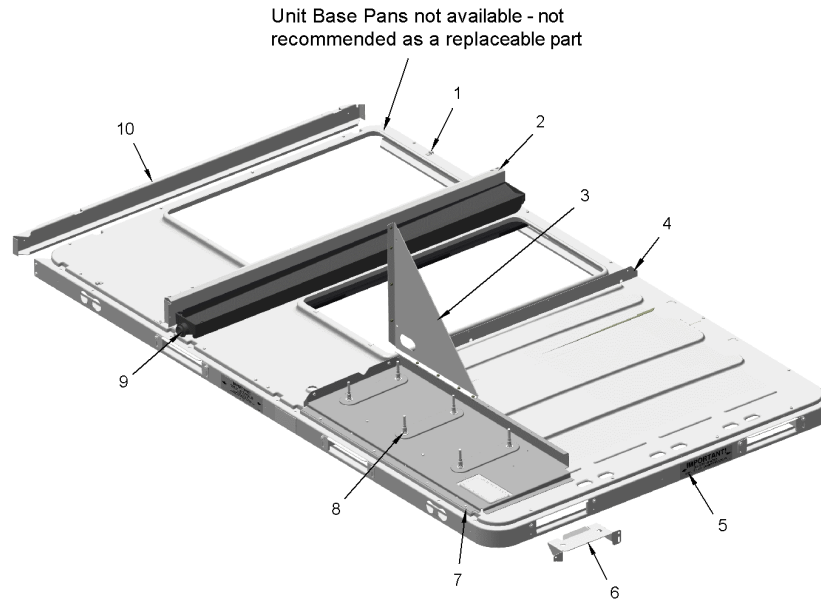
This is a typical illustration. The unit in the field may not appear exactly as shown.

Part No.	Reference No.	Quantity	Description
PNL26809	1	1	PANEL; TOP WRAPPER, HEAT, 19.36 X 10.41
PNL26795	2	1	PANEL; ELECTRIC HEAT, CONTROLS AND ELEMENT MTG, 43.40 X 19.52
ROD01137	3	1	ROD; SUPPORT, 20 INCHES
BRK04552	4	2	BRACKET; ELECTRIC HEAT SUPPORT
BUS00338	5	1	BUSHING; SNAP, 2.00 INCH OD X 1.63 ID, MAX PANEL THICKNESS 0.125, BLACK NYLON

UNIT BASE COMPONENTS

75013229

RP
A



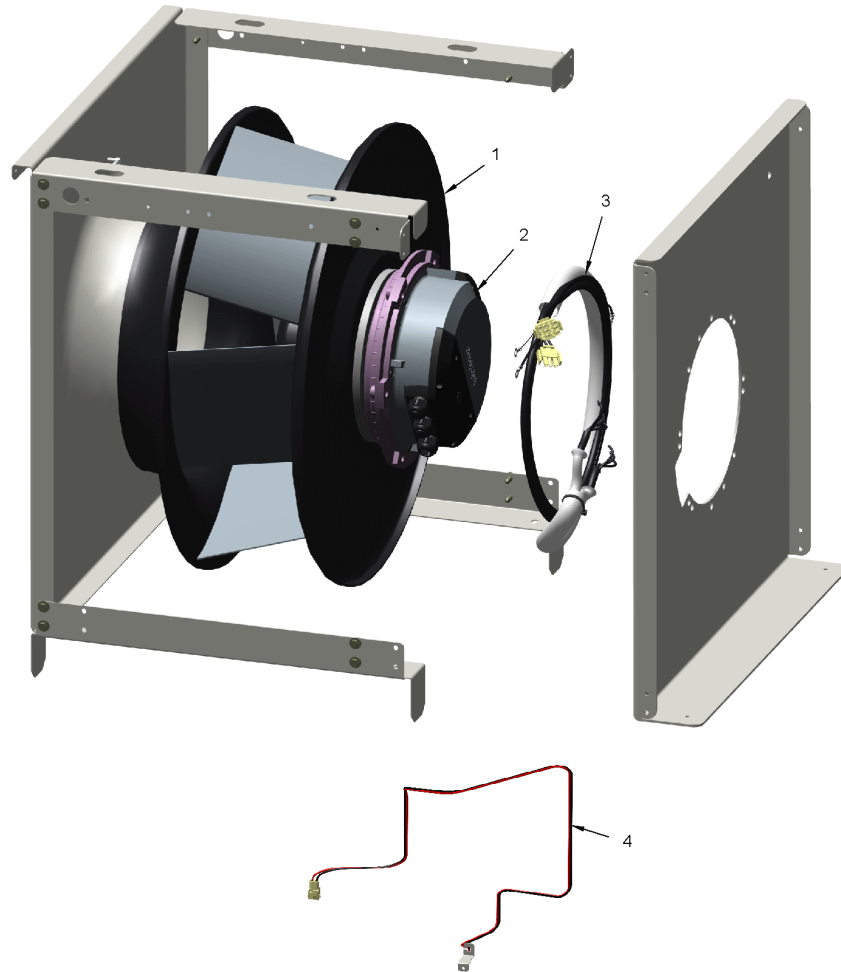
This is a typical illustration. The unit in the field may not appear exactly as shown.

Part No.	Reference No.	Quantity	Description
CLP01008	1	2	NO DESCRIPTION AVAILABLE
SUP04486	2	1	SUPPORT; INDOOR COIL, 51.6 INCH LENGTH
BRK03275	3	1	BRACKET; COMPRESSOR SUPPORT (3 SIDES)
ANG01324	4	1	ANGLE; TOGGLE LOCK, 51.00 X 1.80
RAL01211	5	1	RAIL; BASE, C/D CABINET
BRK03274	6	4	BRACKET; BASE SUPPORT MOUNT, 10.3 LENGTH (FORKLIFT BRACKET)
PLT06389	7	1	PLATE; COMP MOUNTING (MANIFOLD)
NUT00890	8	6	NUT; PALLET, 5/16-18 UNC 2B THD.
RAL00878	10	1	RAIL; END, 53 IN LENGTH

BLOWER - INDOOR, PLENUM FAN

75012242

REV.
A



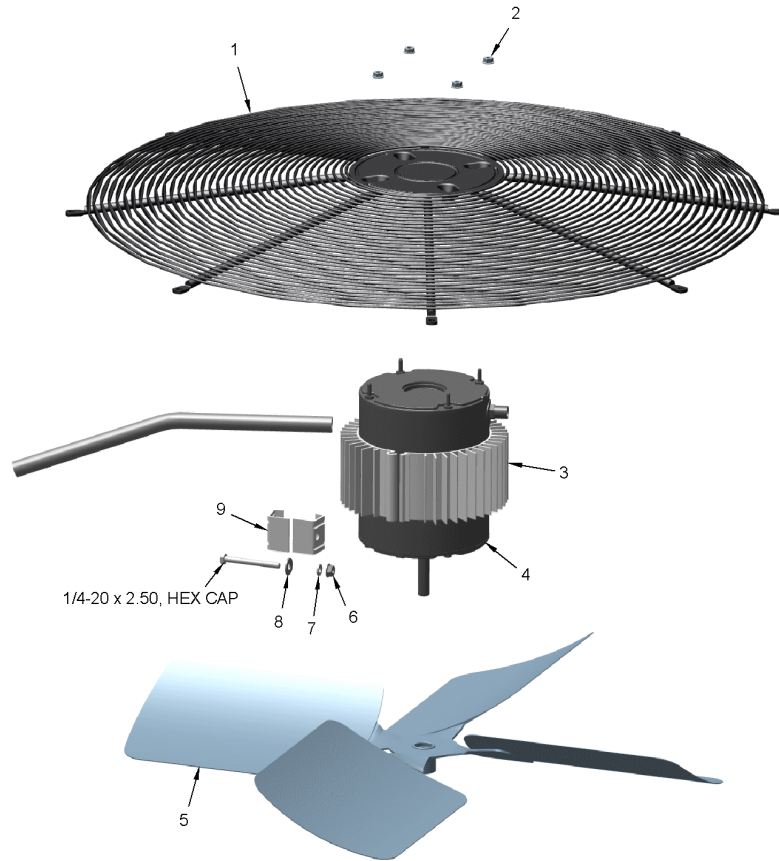
This is a typical illustration. The unit in the field may not appear exactly as shown.

Part No.	Reference No.	Quantity	Description
SCR01421	*	6	SCREW; M10 X 25
SCR01557	*	16	SCREW; SHEET METAL 0.25-14 X 0.62, HEX HEAD, SLATE GRAY COLOR
WAS00622	*	6	WASHER;10MM ID X 18.1 OD
FAN05492	1	1	FAN; ASSEMBLY; INDOOR PLENUM FAN; 200-240V
MOD02788	2	1	MODULE; ELECTRONICS, ATTACHES TO EBM MOTOR ASSEMBLY, 230V, INCLUDES WIR05194
CON00105	3	1	CONNECTOR; HOUSING; 12 CKT SOCKET HSG MALE
CON00486	3	1	CONNECTOR; PLUG HOUSING, 3 PIN MALE
WIR05194	3	1	WIRE; HARNESS, INDOOR FAN MOTOR (1Z,2S,3S,GND,37B,39B,40B,41B,45B,108C,158E)
WIR08703	4	1	WIRE; HARNESS, LED, WITH BRACKET

FAN - OUTDOOR

75012613

RP
A



This is a typical illustration. The unit in the field may not appear exactly as shown.

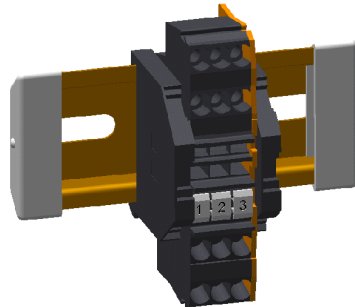
Part No.	Reference No.	Quantity	Description
GRL01353	1	1	GRILLE; OUTDOOR FAN, 30.33 MTG DIA
NUT01332	2	4	NUT; SERRATED HEX FLANGE, ZINC PLATED (IF RUBBER CAP IS NEEDED ORDER IRT00017)
RNG01005	3	2	RING; EXTRUDED FIN, HEAT SINK, 3.00 WIDE, UNRESTRAINED DIM IS 7.20/6.61
MOT18646	4	1	MOTOR; AL OD MOTOR, 3 PHASE 0.7 HP, 230V
BLD01351	5	1	BLADE; PROPELLER; 26 INCH-26 DEG PITCH-3 BLADE
NUT00009	6	1	NUT; .25-20, HEX LOCK
WAS00670	7	1	WASHER; .26 ID X .49 OD
WAS00041	8	1	WASHER; FLAT, PLAIN, #12 .25 ID X .56 OD, .065 THK, CARBON STL-PLD
BRK00688	9	2	BRACKET; CONNECTING, HEAT SINK

TERMINAL BLOCK - CONTROLS (CTB)

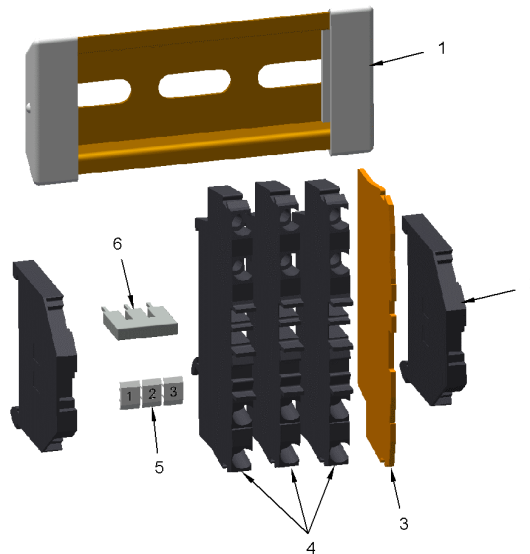
75011855

REV.
A

This assembly is a component of the Common Controls Harness



Reference - complete assembly

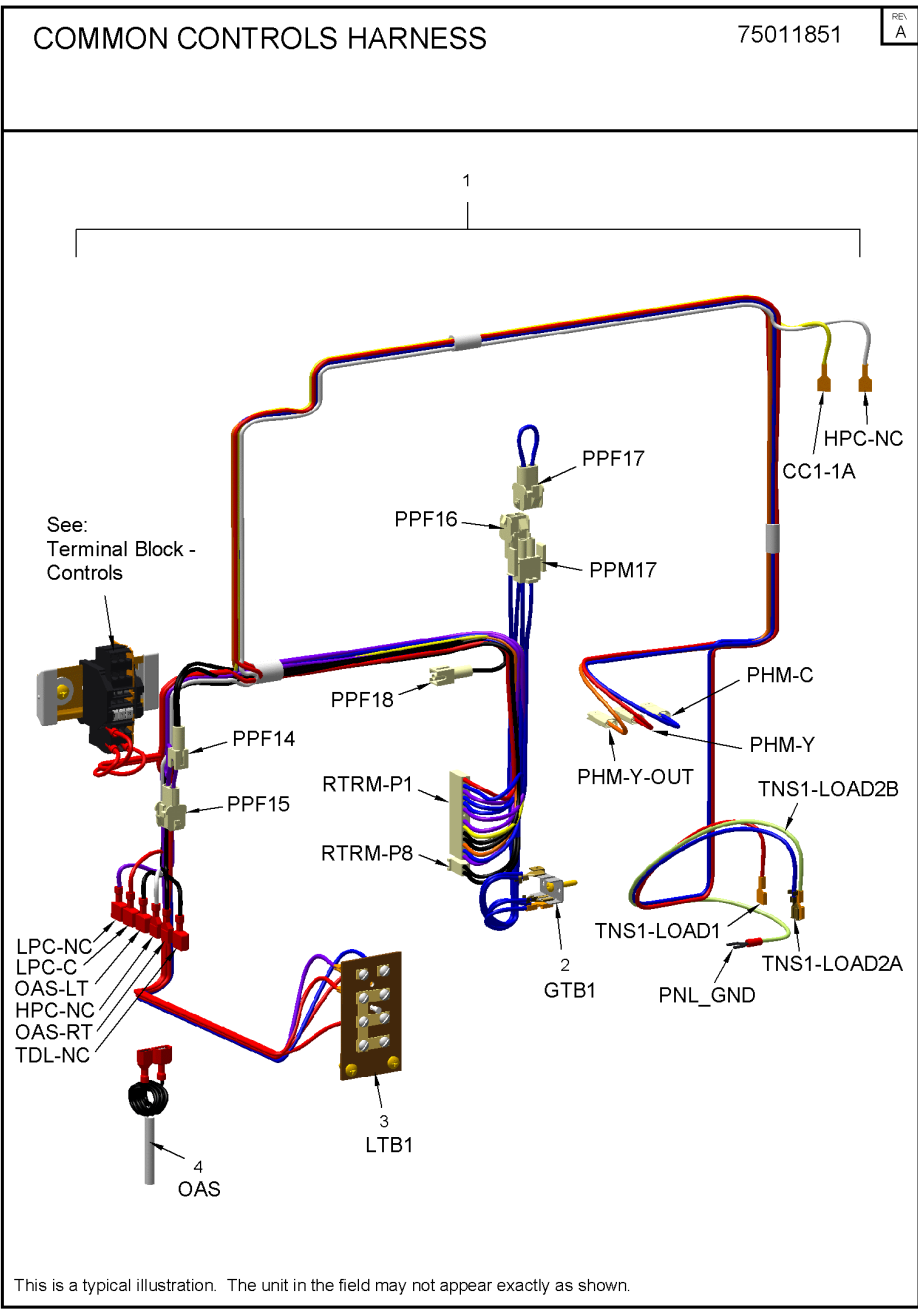


This is a typical illustration. The unit in the field may not appear exactly as shown.

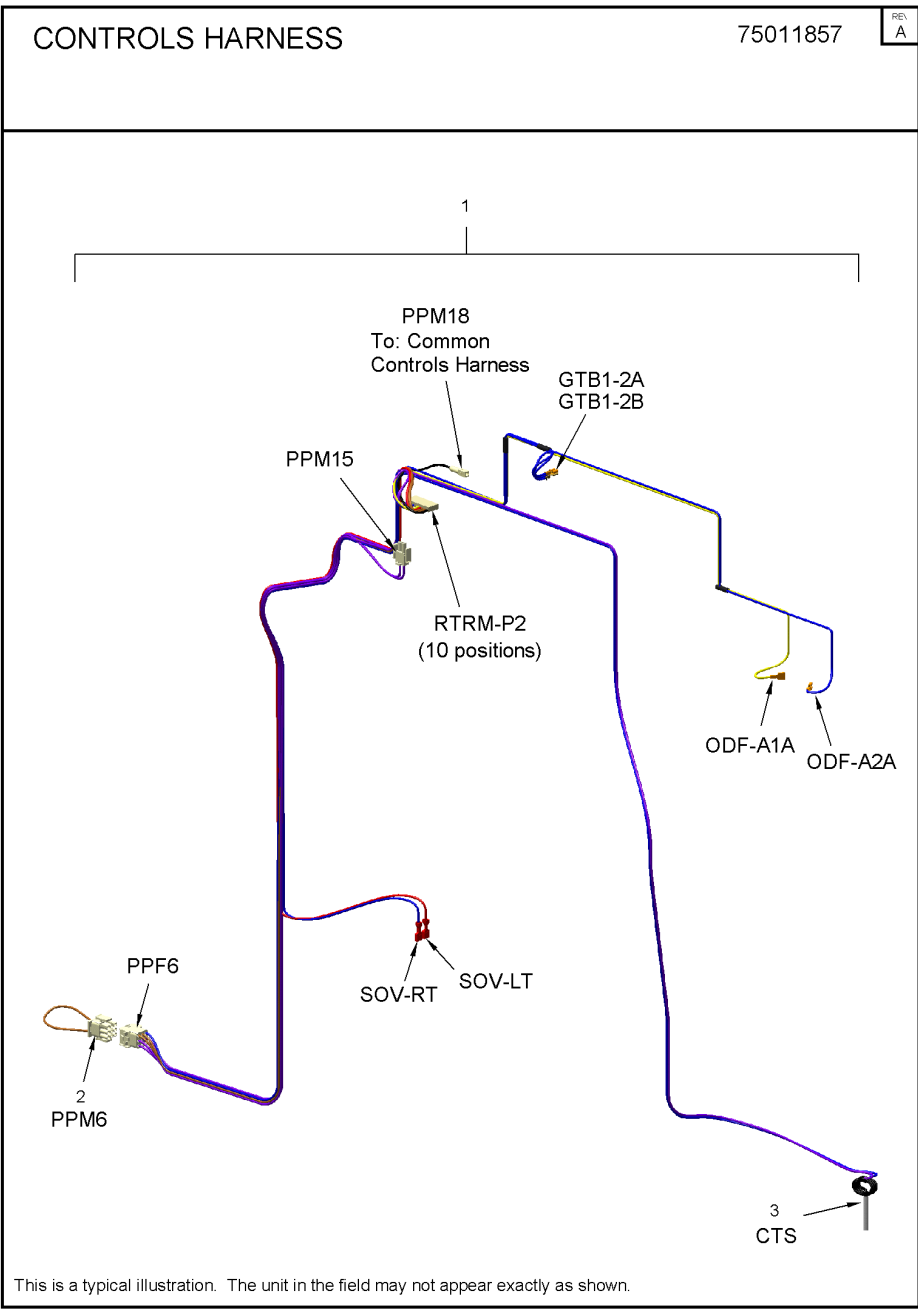
Parts List Number :WHCUP2

Model Number :WHC074H3R0B005D

Part No.	Reference No.	Quantity	Description
CAP01251	1	2	CAP; PROTECTIVE FORM CAP
TER01332	2	2	TERMINAL; BLOCK, END STOP
PLT04051	3	1	PLATE; 4 CONDUCTOR POLE END PLATE
TER01334	4	3	TERMINAL; BLOCK, 4 CONDUCTOR POLE 20A 600V
TER01351	5	1	TERMINAL; BLOCK, POLE MARKING 1-10 VERT
TER01354	6	1	TERMINAL; BLOCK, 3 POLE JUMPER



Part No.	Reference No.	Quantity	Description
WIR09263	1	1	WIRE; HARNESS, COMMON CONTROLS, INCLUDES CTB
TER01680	2	1	TERMINAL STRIP; .25IN. FASTON
BLK00940	3	1	BLOCK; 6 TERMINALS (LVTB)
BRK04441	4	1	BRACKET; OUTDOOR AIR SENSOR
GRM00039	4	1	GROMMET; RUBBER .25 ID X .05 GRV MLD
SEN01829	4	1	SENSOR; THERMISTOR PROBE, -40 TO 65C, .25 DIA X 1.75 LG W/26" PVC LEADS-INSUL QC



Parts List Number :WHCUP2

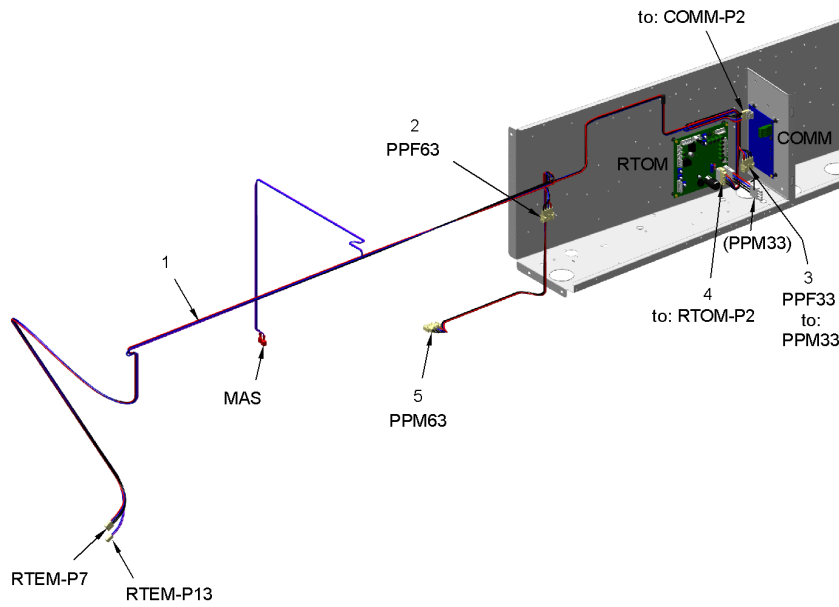
Model Number :WHC074H3R0B005D

Part No.	Reference No.	Quantity	Description
WIR09490	1	1	WIRE; HARNESS; D CAB, CNTLS, HIGH EFF HEAT PUMP
WIR08179	2	1	WIRE; HARNESS, NO HEAT CONFIGURATION - RELIATEL CONTROLS
SEN00275	3	1	SENSOR; THERMISTOR PROBE, -40 DEG C TO 65 DEG C, 12 INCH STRIPPED LEADS

OPTIONS HARNESS

75012838

RP
A



This is a typical illustration. The unit in the field may not appear exactly as shown.

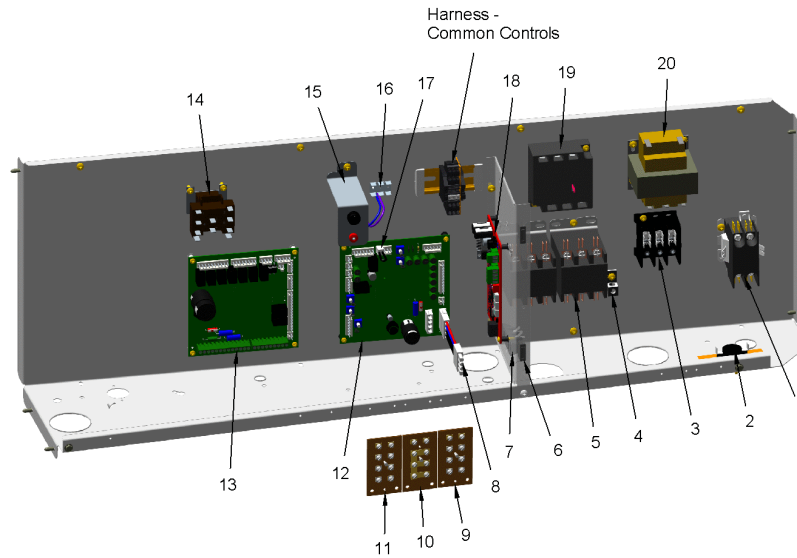
Part No.	Reference No.	Quantity	Description
WIR09244	1	1	WIRE; HARNESS, CONTROLS/OPTIONS, PPF33 TO COMM-P2, PPF63 TO RTOM-P2, RTEM-P17 TO PPM63, RTEM-P23 TO MAS
HUS03378	2	1	HOUSING; SOCKET, 4 CIRCUIT
HUS03378	3	1	HOUSING; SOCKET, 4 CIRCUIT
HUS03379	4	1	HOUSING; PLUG CONNECTOR, 4 CIRCUIT
HUS03379	5	1	HOUSING; PLUG CONNECTOR, 4 CIRCUIT

CONTROL PANEL

75013334

RP
A

The parts that appear on this illustration are for all options.
Parts will appear in the Parts List if factory installed.



This is a typical illustration. The unit in the field may not appear exactly as shown.

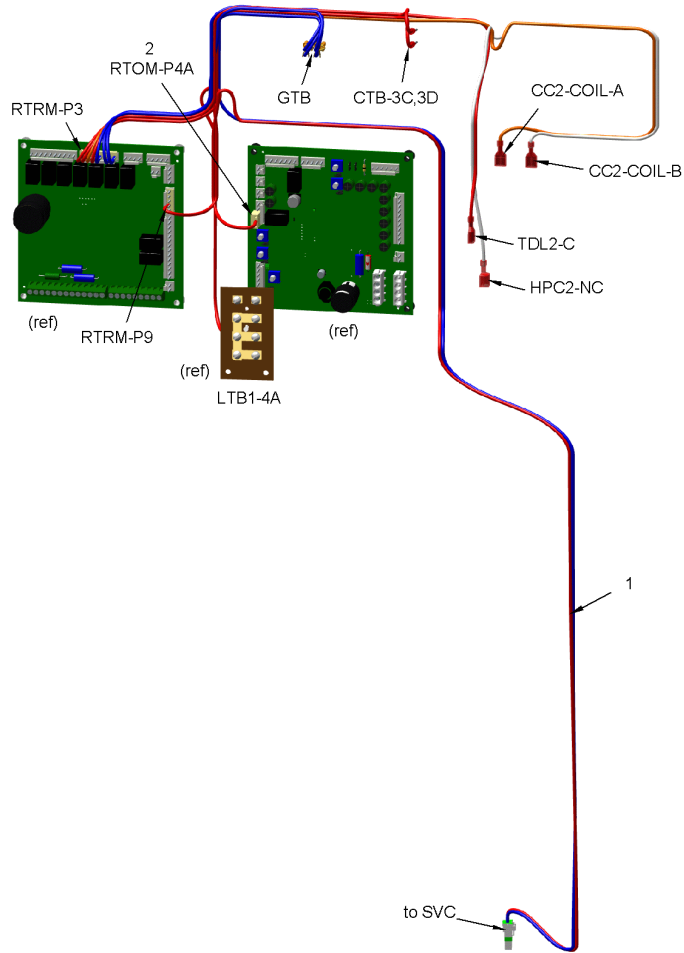
Part No.	Reference No.	Quantity	Description
CTR01203	1	1	CONTACTOR; 2P, 30A, 24V COIL, 30 FLA AT 277V
CNT01405	2	1	CONTROL; TEMP, OPEN 65F, CLOSE 55F, SPST
CON00077	4	1	CONNECTOR, ELECTRIC GROUND, 14-2 AWG SOLDERLESS
CTR01870	5	2	CONTACTOR; 3 POLE, 30 FLA, W/O LUGS, 50/60 HZ, 24V COIL
CAT00043	6	2	CATCH; MAGNETIC SNAP-IN
BLK01642	7	1	BLOCK; TERMINAL, DOUBLE ROW - 2 POLE
WIR03277	8	1	WIRE; HARNESS, OPTION MODULE GENDER CHANGER. BK, BL, RD WIRES. 4 INCH LENGTH. PPM33
BLK00940	9	1	BLOCK; 6 TERMINALS (LVTB)
MOD02554	12	1	MODULE; RELIATEL OPTIONS, RTOM
MOD02919	13	1	MODULE; RELIATEL REFRIGERATION DUAL CIRCUIT COOL/HP
TER01680	16	1	TERMINAL STRIP; .25IN. FASTON
WIR03278	17	1	WIRE; HARNESS, SUPPLY AIR TEMPERING, BK WIRE, 3 INCHES LENGTH, RTOM 5J3-1 TO 5J3-2
CNT05176	19	1	CONTROL; MONITOR, 3-PHASE LINE, UNIVERSAL 180-632 VAC, PHASE AND LOSS REVERSAL
TRR02934	20	1	TRANSFORMER, 100 VA, 208/230 V
WAS00611	20	4	WASHER;LOCK, .19 ID X .39 OD

CONTROLS HARNESS

75013568

RP
A

The LTB1, RTOM & RTRM are shown for reference only.



This is a typical illustration. The unit in the field may not appear exactly as shown.

Parts List Number :WHCUP2

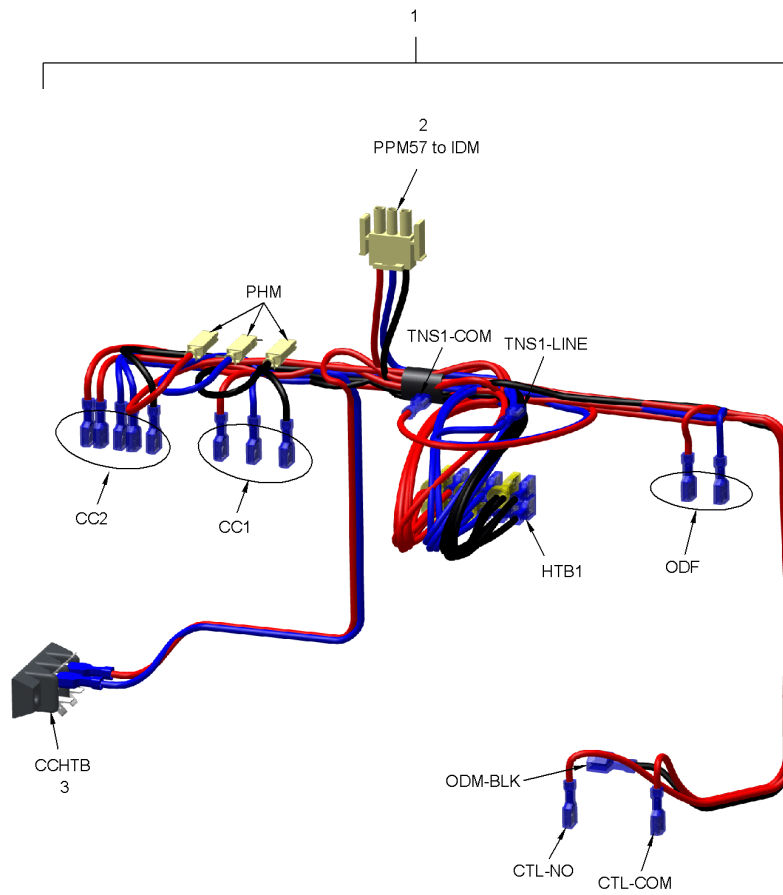
Model Number :WHC074H3R0B005D

Part No.	Reference No.	Quantity	Description
WIR09479	1	1	WIRE; HARNESS; C/D CAB, CNTLS, DUAL COMPRESSOR, STAGED + FIXED
CON00377	2	1	CONNECTOR; RECEPTACLE-3 PIN (.156 CTRS, 18-22 AWG)

POWER HARNESS

75013587

RP
A



This is a typical illustration. The unit in the field may not appear exactly as shown.

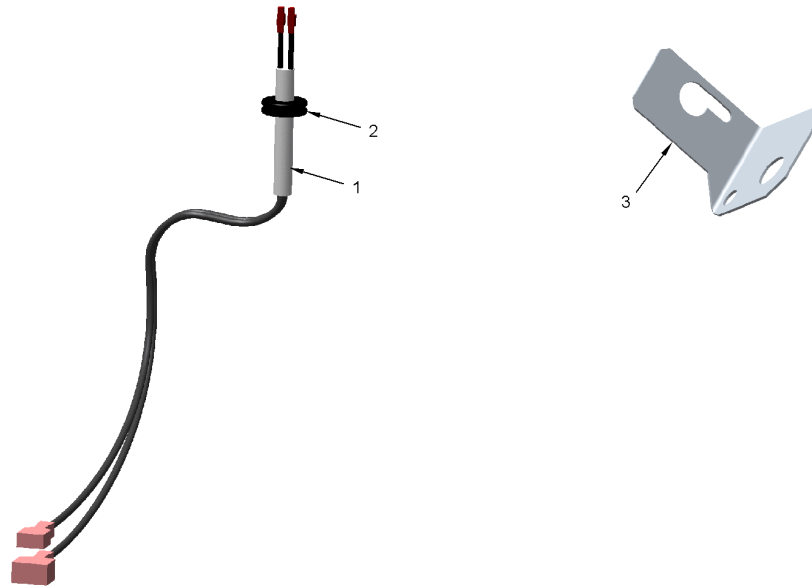
Part No.	Reference No.	Quantity	Description
WIR09240	1	1	WIRE; HARNESS; C/D CAB, PWR, DUAL COMP, W/O INDOOR MOTOR XFMR, INCLUDES CCHTB
CON00486	2	1	CONNECTOR; PLUG HOUSING, 3 PIN MALE
BLK01642	3	1	BLOCK; TERMINAL, DOUBLE ROW - 2 POLE

OUTDOOR AIR SENSOR

75010620

REV.
A

TYPICAL ILLUSTRATION

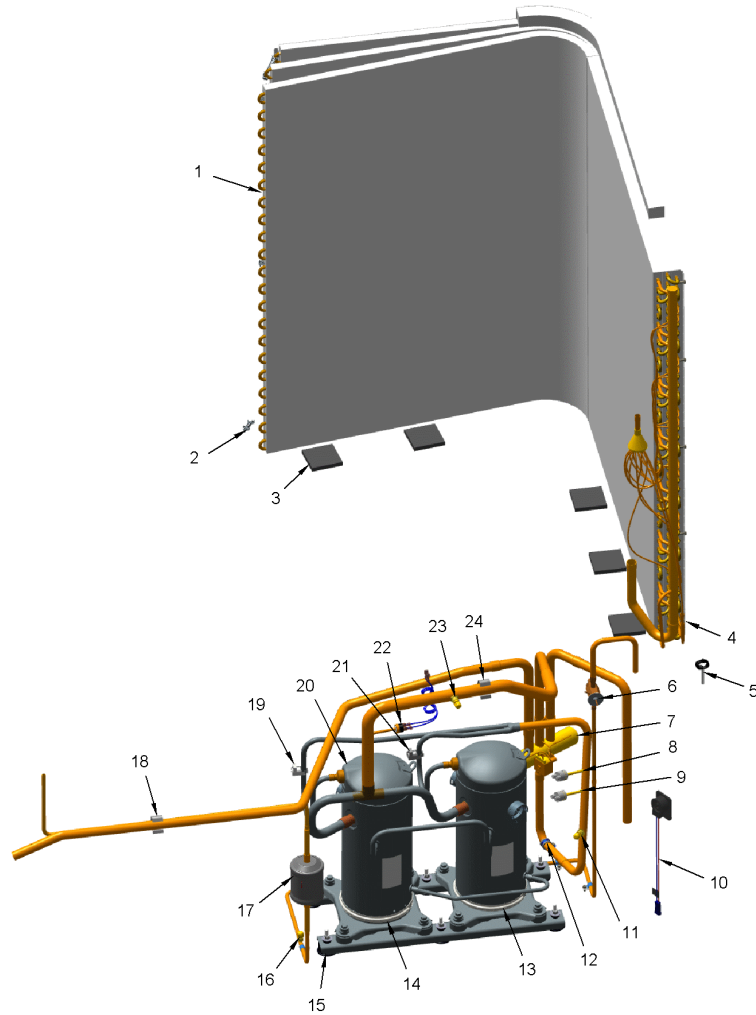


Part No.	Reference No.	Quantity	Description
SEN00275	1	1	SENSOR; THERMISTOR PROBE, -40 DEG C TO 65 DEG C, 12 INCH STRIPPED LEADS
GRM00039	2	1	GROMMET; RUBBER .25 ID X .05 GRV MLD
BRK04441	3	1	BRACKET; OUTDOOR AIR SENSOR

REFRIGERATION
OUTDOOR COIL, COMPRESSORS, CTS

75013213

RP
A



This is a typical illustration. The unit in the field may not appear exactly as shown.

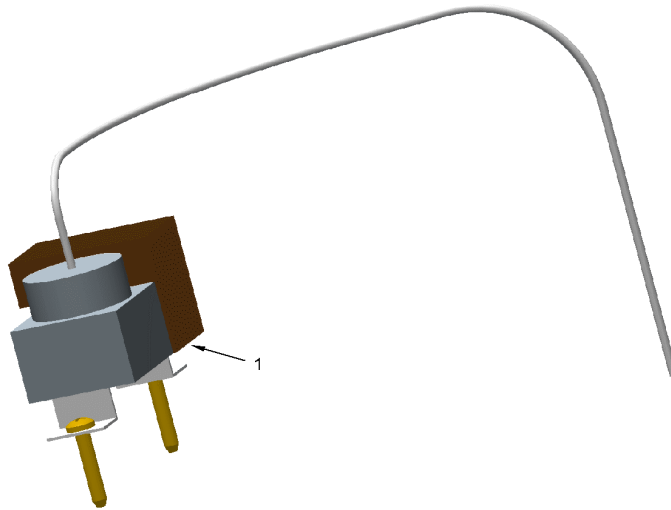
Part No.	Reference No.	Quantity	Description
WIR03437	*	1	WIRE; HARNESS, COMPRESSOR, 14 AWG, CC1, 46 IN LENGTH (3 WIRE-RK,BL,BK)
WIR03439	*	1	WIRE; HARNESS, COMPRESSOR, 14 AWG, CC2, 62 IN LENGTH (3 WIRE-RK,BL,BK)
COL28883	1	1	COIL; OUTDOOR, 68.00 L X 42.00 H
KIT15254	2	6	KIT; OUTDOOR COIL CLIPS, BLACK PLASTIC, 3.878 LENGTH (PACKAGE OF 6 CLIPS)
INS01666	3	5	INSULATION; 0.40 X 3.00 X 3.00
HLD00255	4	1	HOLDER; THERMISTOR
SEN00275	5	1	SENSOR; THERMISTOR PROBE, -40 DEG C TO 65 DEG C, 12 INCH STRIPPED LEADS
VAL19161	6	1	VALVE; EXPANSION; 3/8 ODF X 1/2 ODF
VAL18906	7	1	VALVE; REVERSING
SWT03402	8	1	SWITCH; HIGH PRESSURE, BRAZED, OPENS AT 650 PSIG, CLOSES AT 550 PSIG, 61 INCH WHITE LEADS
SWT03403	9	1	SWITCH; HIGH PRESSURE, BRAZED, OPENS AT 650 PSIG, CLOSES AT 550 PSIG, 61 INCH ORANGE LEADS
PLU01302	10	1	PLUG; COMPRESSOR; 2 STAGE SOLENOID WITH RECTIFIER, 2 PIN, 20 AWG, 10 IN LENGTH, (2 WIRE-RD,BL)
CAP00072	11	1	CAP; VALVE, SEAL, .25 FFL
SET00819	11	1	SEAT; SADDLE MOUNT ASSEMBLY
STM00803	11	1	STEM; SADDLE MOUNT, VALVE CORE, BRASS, .344 DIA X 1.29 SCHRAEDER TYPE FITTING (TO INCLUDE 5 PIECES)
CMP00109	12	1	CLAMP;
HTR03910	13	1	HEATER; CRANKCASE, 40W, 230V, 6.5 DIA, 54 IN LEAD LENGTHS
HTR03908	14	1	HEATER; CRANKCASE, 40W, 230V, 6.5 DIA, 70 IN LEAD LENGTHS
ISR00305	15	6	ISOLATOR; VIBRATION COMPRESSOR
NUT00355	15	6	NUT; HEX, LOCK, 5/16IN.-18
NUT00890	15	6	NUT; PALLET, 5/16-18 UNC 2B THD.
CAP00072	16	1	CAP; VALVE, SEAL, .25 FFL
COR00006	16	1	CORE; VALVE PORT, .79 LENGTH, .206-36 UNS 2A THD
VAL01483	16	1	VALVE; BODY, .44-20 THD X .25 ODS, STRAIGHT, BRASS, LESS CORE
DHY01467	17	1	DRIER; BI-FLOW; SERVICE FIRST; 16 CU. IN.; DCB164S, 1/2 ODF CONNECTIONS; 9.1 TON CAPACITY; MANUFACTURED FOR TRANE BY DANFOSS
CLP01073	18	1	CLIP; BULB (RED)
THT02761	19	1	THERMOSTAT; WITH CLIP, .5/.625 TUBE, 72" RED WIRES, SPST, 230F OPEN, 180F CLOSE
COM12287	20	1	COMPRESSOR; TANDEM SCROLL SET, 3-STAGE, 200-230/60/3, R410A, CONSISTS OF (2) COMPRESSORS - (1) 2.9 TON & (1) 2.8 TON
THT02760	21	1	THERMOSTAT; WITH CLIP, .5/.625 TUBE, 72" BLACK WIRES, SPST, 230F OPEN, 180F CLOSE
SWT03173	22	1	SWITCH; LOW PRESSURE CUTOUT, 250 OPEN, ACTUATION PRESSURE 41 +/- 4, RESET PRESSURE 25 +/- 4
WIR04406	22	1	WIRE; HARNESS, LOW PRESSURE SWITCH, 42 IN LENGTH, BLUE WIRES, CIR 1
CAP00072	23	1	CAP; VALVE, SEAL, .25 FFL
SET00819	23	1	SEAT; SADDLE MOUNT ASSEMBLY
STM00803	23	1	STEM; SADDLE MOUNT, VALVE CORE, BRASS, .344 DIA X 1.29 SCHRAEDER TYPE FITTING (TO INCLUDE 5 PIECES)
HLD00707	24	1	HOLDER; CLIP; TUBE; BULB, 1.125 OD TUBE

FROSTAT

75010619

REV.
A

TYPICAL ILLUSTRATION

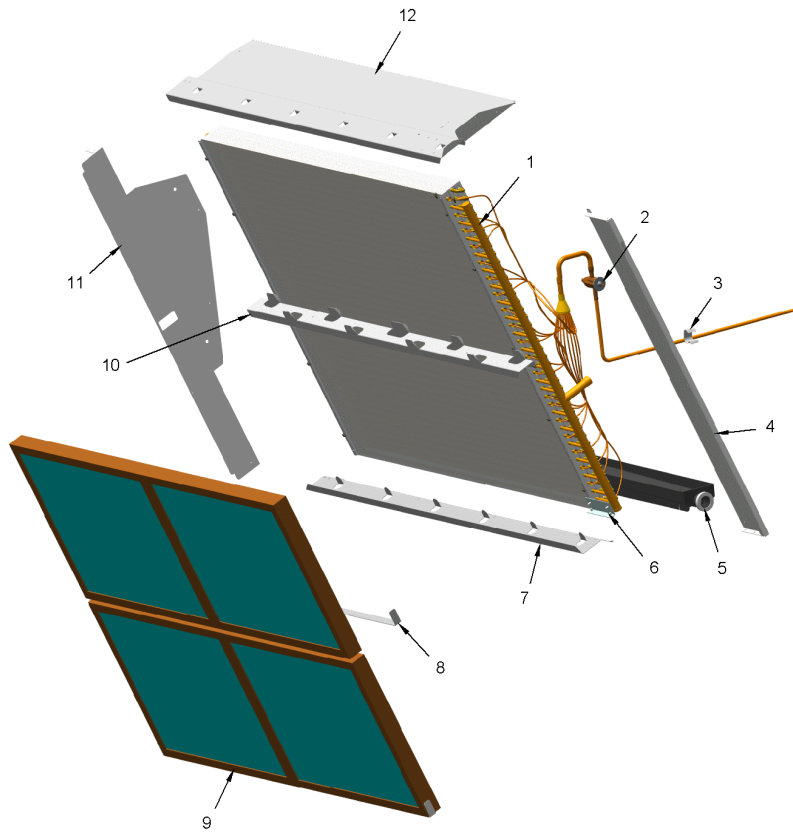


Part No.	Reference No.	Quantity	Description
WIR03422	*	1	WIRE; HARNESS, FROSTAT, RELIATEL, 144A(PR), 145A(RD), 93 IN LENGTH
CNT03775	1	1	CONTROL; DEFROST, SPDT, 10-50F, 50/52.5 INCH CAPILLARY

INDOOR COIL

75013359

RP
A



This is a typical illustration. The unit in the field may not appear exactly as shown.

Part No.	Reference No.	Quantity	Description
COL28877	1	1	COIL; INDOOR, INCLUDES DISTRIBUTOR-NOT THE TXV, 45.87 L X 40.00 H
VAL19160	2	1	VALVE; EXPANSION; 3/8 ODF X 1/2 ODF
CLP01073	3	1	CLIP; BULB (RED)
BOF01684	4	1	BLOCKOFF; INDOOR COIL, FRONT, 40.6 X 5.5
BRK03234	6	1	BRACKET; INDOOR COIL, BOTTOM, 0.65 X 4.39 X 1.50
BOF02311	7	1	BLOCKOFF; INDOOR COIL BOTTOM, 51.44 X 2.65 X 2.15
BRK03938	10	1	BRACKET; FILTER CHANNEL, 50.50 LENGTH
BOF01685	11	1	BLOCKOFF, INDOOR COIL, REAR, 40 IN LENGTH

Part No.	Reference No.	Quantity	Description
ASYSTAT250A	*	1	NO DESCRIPTION AVAILABLE
ASYSTAT251A	*	1	NO DESCRIPTION AVAILABLE
ASYSTAT712A	*	1	SENSOR; CO2 SENSING KIT; WALL MOUNTED (ASYSTAT712A)
ASYSTAT714A	*	1	SENSOR; CO2 SENSING KIT; DUCT MOUNTED (ASYSTAT714A)
BAYABRD001C	*	1	KIT; ACCESSORY, OPTIONS BOARD (BAYABRD001CA)
BAYBARM011A	*	1	DAMPER; BAROMETRIC RELIEF (BAYBARM011AB)
BAYBCIR001A	*	1	KIT; FIELD INSTALLED BCI (BAYBCIR001A)
BAYCO2K001B	*	1	KIT; CO2 SENSING (A RELIATEL ECONOMIZER MODULE WITH DCV CONNECTIONS MUST BE USED WITH THIS KIT)
BAYCO2K003B	*	1	KIT; CO2 DEMAND-CONTROLLED VENTILATION DUCT SENSOR (A RELIATEL ECONOMIZER MODULE WITH DCV CONNECTIONS MUST BE USED WITH THIS KIT)
BAYCO2K101A	*	1	KIT; WALL MOUNT CO2 SENSOR KIT
BAYCO2K103A	*	1	KIT;DUCT MOUNT CO2 SENSOR KIT
BAYCURB043A	*	1	CURB; ROOFCURB (BAYCURB043AB)
BAYDFPS004A	*	1	KIT; FAN FAILURE SWITCH (BAYDFPS004AB). (OPTIONS BOARD KIT09433-BAYABRD001CA MUST BE INSTALLED IN THE UNIT FOR THIS ACCESSORY TO OPERATE).
BAYDMPR054A	*	1	DAMPER; RELIATEL, 0-50 PERCENT MOTORIZED OUTSIDE AIR DAMPER (BAYDMPR054A)
BAYDMPR056B	*	1	DAMPER; 0-50% MANUAL OUTSIDE AIR DAMPER (BAYDMPR056BA)
BAYECON087A	*	1	ECONOMIZER; RELIATEL, 0-100 PERCENT DRY BULB (BAYECON087A)
BAYECON704A	*	1	ACCESSORY; LOW LEAK ECONOMIZER, FOR C/D/E CABINETS WITH RELIATEL CONTROLS (SEE ACC-SVN177* FOR MODELS)
BAYENTH005A	*	1	KIT; REFERENCE ENTHALPY (BAYENTH005A)
BAYENTH006B	*	1	KIT; COMPARATIVE ENTHALPY (BAYENTH006B)
BAYGARD241A	*	1	ACCESSORY; HAIL GUARD, CONDENSER COIL - D CAB
BAYHTRA309A	*	1	ELECTRIC HEATER; 240 VOLT, 6.8/9KW
BAYHTRA318A	*	1	ELECTRIC HEATER; 208/230-240/60/3, 13.5/18KW
BAYHTRA327A	*	1	ELECTRIC HEATER; 208/230-240/60/3, 20.3/27KW
BAYHTRA336A	*	1	ELECTRIC HEATER; 208/230-240/60/3, 27/36KW
BAYICSI003A	*	1	BOARD; ACCESSORY, RELIATEL COMMUNICATIONS INTERFACE BOARD (BAYICSI003AD)
BAYLMSW001A	*	1	POWER EXHAUST LIMIT SWITCH
BAYLOAM020B	*	1	CONTROL; EVAPORATOR DEFROST KIT (FROSTAT) (BAYLOAM020BB). (OPTIONS BOARD KIT09433-BAYABRD001CA MUST BE INSTALLED IN THE UNIT FOR THIS ACCESSORY TO OPE
BAYLOAM120A	*	1	KIT; EVAPORATOR DEFROST, CLIP-ON, RELIATEL
BAYLTCI002B	*	1	KIT; RELIATEL COMMUNICATIONS INTERFACE THAT INCORPORATES LONTALK PROTOCOL (BAYLTCI002BB)
BAYLTCI003A	*	1	THERMOSTAT; FIELD INSTALLED LCI
BAYPWRX026A	*	1	KIT; POWER EXHAUST, 208/230V (BAYPWRX026A)
BAYQACB011A	*	1	CURB; ADAPTA CURB (BAYQACB011AA), TRANSITIONS BAYCURB022B, 83.50 X 49.375
BAYQACB012A	*	1	CURB; ADAPTA CURB (BAYQACB012AA), TRANSITIONS BAYCURB025B, 90.50 X 60.625
BAYQACB013A	*	1	CURB; ADAPTA CURB (BAYQACB013AA), TRANSITIONS BAYCURB026B, 103.375 X 68.125
BAYQACB501A	*	1	ADAPTOR CURB KCC-302
BAYRTEM001A	*	1	RELIATEL ECONOMIZER LOGIC MODULE
BAYSENS250A	*	1	CO2 SENSOR
BAYSENS251A	*	1	SENSOR; CO2 WALL MOUNT (BAYSENS251A)
BAYTUBE401A	*	1	DISCHARGE AIR SENSING; ELECTRIC HEAT
BAYVNOR001B	*	1	KIT; VENTILATION OVERRIDE (BAYVNOR001BB) (OPTIONS BOARD KIT09433-BAYABRD001CA MUST BE INSTALLED IN THE UNIT FOR THIS ACCESSORY TO OPERATE).
PLT04561	*	1	PLATE; WALL COVER PLATE ASSEMBLY (BAYMTPL110A)
SEN00278	*	1	SENSOR; THERMISTOR PROBE, -40 DEG C TO 65 DEG, STRIPPED LEADS (BAYSENS016AA)

Part No.	Reference No.	Quantity	Description
SEN01430	*	1	SENSOR; TEMPERATURE, WIRELESS DISPLAY SENSOR/RECEIVER SET, W/ TRANE LOGO, SETPOINT, TOV
SEN01447	*	1	SENSOR; ZONE, ROOM SENSOR W/TEMP. ADJUSTMENT WITH OVERRIDE AND CANCEL BUTTONS, 10K, DIAL, OCCUPIED (BAYSENS074AA)
SEN01450	*	1	SENSOR; ZONE, ROOM SENSOR W/ OVERRIDE AND CANCEL BUTTONS, 10K, OCCUPIED (BAYSENS073AA)
SEN01513	*	1	SENSOR; ZONE; DUAL SETPOINT MANUAL OR AUTO CHANGEVER, TWO SET FAN SYSTEM (BAYSENS108AA)
SEN01515	*	1	SENSOR;ZONE SINGLE SETPOINT MANUAL CHANGEVER, SET FAN SYSTEM, COOL/OFF/HEAT (BAYSENS106A)
SEN01522	*	1	SENSOR; ZONE, DUAL SETPOINT MANUAL OR AUTO CHANGEVER W/SYSTEM FUNCTION LIGHTS TWO SET FAN SYSTEM, LED (BAYSENS110A)
SEN01561	*	1	SENSOR; ZONE, WALL MOUNTED HUMIDITY, 4-20MA (BAYSENS036A) 3-10 PRECEDENT
SEN01577	*	1	SENSOR; PROGRAMMABLE ZONE, AUTOMATIC OR MANUAL CHANGEVER W/ SYSTEM LIGHTS TRANE (BAYSENS119AA)
TOL00099	*	1	TOOL; RESISTANCE DECADE BOX

<p>MODEL NUMBER DESCRIPTION 75012766</p> <p>DX Cooling / DX Cooling, Gas Heat / Pkg Heat Pump</p>		<p>RP A</p>
<p><i>Example Model Number:</i></p> <p>YSC092H3RZA00C6C2A1A000DEA11A0D1</p> <p>1 - - - - 5 - - - - 10 - - - - 15 - - - - 20 - - - - 25 - - - - 30 - - - -</p>		
<p>Digit 1 – Unit Type D = Dual Fuel Heat Pump T = DX Cooling W = Packaged Heat Pump Y = DX Cooling, Gas Heat</p> <p>Digit 2 – Efficiency S = Standard Efficiency H = High Efficiency</p> <p>Digit 3 – Airflow C = Convertible</p> <p>Digits 4,5,6 – Nominal Gross Cooling Capacity (MBh) 072 = 6 Ton 074 = 6 Ton 090 = 7.5 Ton 092 = 7.5 Ton 102 = 8.5 Ton 120 = 10 Ton</p> <p>Digit 7 – Major Design Sequence H = Major Design Sequence</p> <p>Digit 8 – Voltage Selection 3 = 208-230/60/3 4 = 460/60/3 W = 575/60/3</p> <p>Digit 9 – Unit Controls E = Electromechanical R = ReliaTel™ Microprocessor</p> <p>Digit 10 – Heating Capacity <i>Note: Applicable to Digit 1, T or W models only</i> 0 = No Electric Heat C = 9 kW G = 18 kW K = 27 kW N = 36 kW P = 54 kW <i>Note: Applicable to Digit 1, D or Y models only</i> L = Low Heat M = Medium Heat H = High Heat X = Low Heat, Stainless Steel Heat Exchanger Y = Medium Heat, Stainless Steel Heat Exchanger Z = High Heat, Stainless Steel Heat Exchanger</p>	<p>Digit 11 – Minor Design Sequence A = First Sequence</p> <p>Digits 12, 13 – Service Sequence ** = Factory Assigned</p> <p>Digit 14 – Fresh Air Selection 0 = No Fresh Air A = Manual Outside Air Damper 0-50% B = Motorized Outside Air Damper 0-50% C = Economizer, Dry Bulb 0-100% without Barometric Relief D = Economizer, Dry Bulb 0-100% with Barometric Relief E = Economizer, Reference Enthalpy 0-100% without Barometric Relief F = Economizer, Reference Enthalpy 0-100% with Barometric Relief G = Economizer, Comparative Enthalpy 0-100% without Barometric Relief H = Economizer, Comparative Enthalpy 0-100% with Barometric Relief K = Low Leak Economizer with Barometric Relief M = Low Leak Economizer with Reference Enthalpy with Barometric Relief P = Low Leak Economizer with Comparative Enthalpy with Barometric Relief</p> <p>Digits 15 – Supply Fan/Drive Type/Motor 0 = Standard Drive 1 = Oversized Motor 6 = Single Zone VAV 7 = Multi-Speed Indoor Fan E = Multi-Zone Variable Air Volume</p> <p>Digit 16 – Hinged Service Access/Filters 0 = Standard Panels/Standard Filters A = Hinged Access Panels/Standard Filters B = Standard Panels/2" MERV 8 Filters C = Hinged Access Panels/2" MERV 8 Filters D = Standard Panels/2" MERV 13 Filters E = Hinged Access Panels/2" MERV 13 Filters</p>	
<p>1 of 2</p>		

MODEL NUMBER DESCRIPTION		75012767	RP A
DX Cooling / DX Cooling, Gas Heat / Pkg Heat Pump			
<i>Example Model Number:</i> YSC092H3RZA00C6C2A1A000DEA11AD1 <small>1 - - - - 5 - - - - 10 - - - - 15 - - - - 20 - - - - 25 - - - - 30 - - - -</small>			
Digit 17 – Condenser Coil Protection 0 = Standard Coil 1 = Standard Coil with Hail Guard 2 = Black Epoxy Condenser Coil Guard 3 = Black Epoxy Condenser Coil with Hail Guard 4 = CompleteCoat Condenser Coil 5 = CompleteCoat Condenser Coil with Hail Guard	Digit 18 – Through the Base Option 0 = No Through-the-Base Provisions A = Through-the-Base Electric B = Through-the-Base Gas Piping C = Through-the-Base Electric and Gas Piping	Digit 19 – Disconnect/Circuit Breaker 0 = No Disconnect/No Circuit Breaker 1 = Unit Mounted Non-Fused Disconnect 2 = Unit Mounted Circuit Breaker	Digit 20 – Convenience Outlet 0 = Convenience Outlet A = Unpowered Convenience Outlet B = Powered Convenience Outlet
Digit 21 – Communications Options 0 = No Communications Interface 1 = Trane® Communications Interface 2 = LonTalk® Communications Interface 6 = BACnet® Communications Interface 7 = Air-Fi™ Wireless Communications Interface	Digit 22 – Refrigeration System Option 0 = Standard Refrigeration System	Digit 23 – Refrigeration Controls 0 = Without Refrigeration Controls 1 = Frostat™	Digit 24 – Smoke Detector 0 = No Smoke Detector A = Return Air Smoke Detector B = Supply Air Smoke Detector C = Supply and Return Air Smoke Detectors D = Plenum Smoke Detector
Digit 25 – System Monitoring Controls 0 = Standard Monitoring System 1 = Clogged Filter Switch 2 = Fan Failure Switch 3 = Discharge Air Sensing Tube 4 = Clogged Filter Switch and Fan Failure Switch 5 = Clogged Filter Switch and Discharge Air Sensing Tube 6 = Fan Failure Switch and Discharge Air Sensing Tube 7 = Clogged Filter Switch, Fan Failure Switch and Discharge Air Sensing Tube A = Condensate Drain Pan Overflow Switch B = Clogged Filter Switch and Condensate Drain Pan Overflow Switch C = Fan Failure Switch and Condensate Drain Pan Overflow Switch D = Discharge Air Sensing Tube and Condensate Drain Pan Overflow Switch E = Clogged Filter Switch, Fan Failure Switch and Condensate Drain Pan Overflow Switch F = Clogged Filter Switch, Discharge Air Sensing Tube and Condensate Drain Pan Overflow Switch G = Fan Failure Switch, Discharge Air Sensing Tube and Condensate Drain Pan Overflow Switch F = Clogged Filter Switch, Fan Failure Switch, Discharge Air Sensing Tube and Condensate Drain Pan Overflow Switch	Digit 26 – System Monitoring Controls 0 = No Monitoring Controls A = Demand Control Ventilation (CO ₂) B = Low Leak Economizer with FDD (Fault Detection & Diagnostics) C = FDD (Fault Detection & Diagnostics) with DCV (Demand Control Ventilation)	Digits 27 – Unit Hardware Enhancements 0 = No Enhancements 1 = Stainless Steel Drain Pan	Digit 31 – Advanced Unit Controls 0 = Standard Unit Controls 1 = Human Interface

