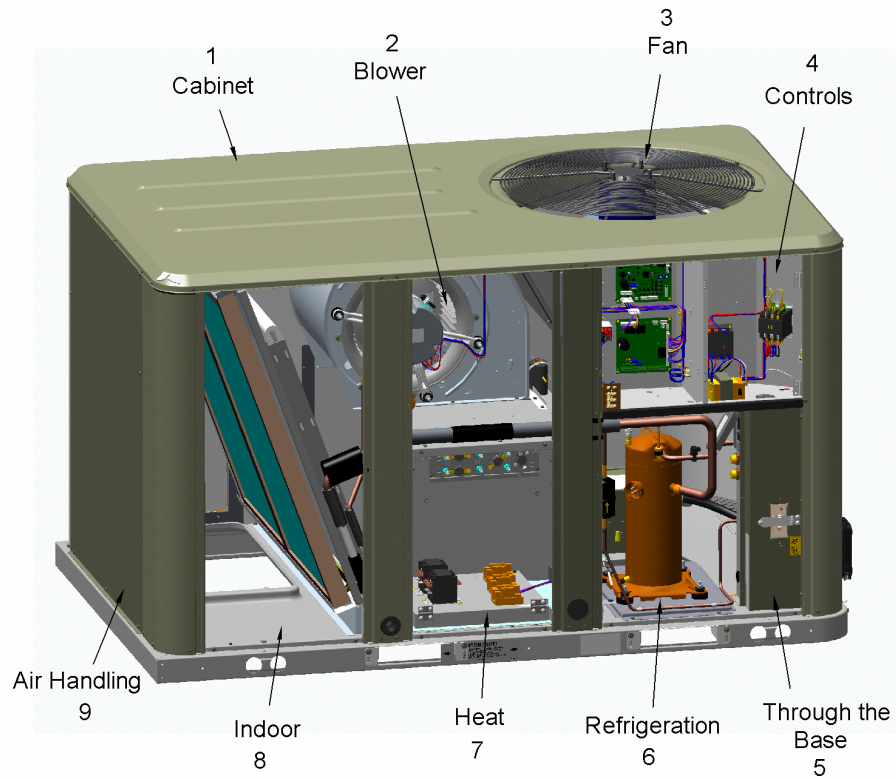


PACKAGED COOLING / HEAT PUMP

75011213

REV.
A

The sections that appear on this illustration are for all options.
Sections and options will appear in the Parts List if ordered with the unit.



This is a typical illustration. The unit in the field may not appear exactly as shown.

Parts List Number :WHCUP1

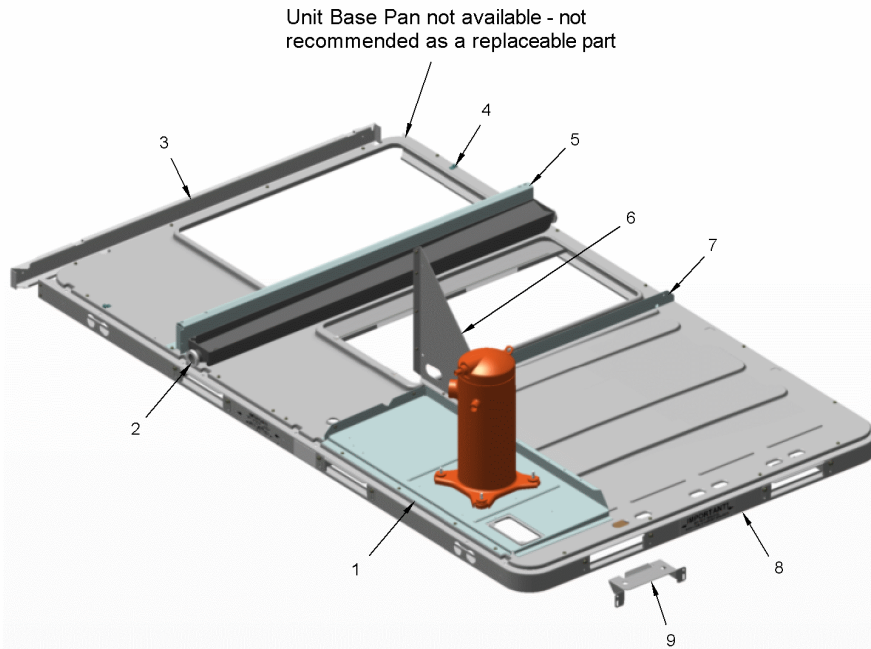
Model Number :WHC048HWR0A005D

Part No.	Reference No.	Quantity	Description
75011721	1		UNIT BASE COMPONENTS
75011700	2		BLOWER
75011210	3		FAN
75012190	4		CONTROL PANEL
75010594	5		THROUGH THE BASE ELECTRICAL
75010620	6		OUTDOOR AIR SENSOR
75011725	6		REFRIGERATION - COMPRESSOR, OUTDOOR COIL
75011713	7		ELECTRIC HEAT VESTIBULE
75011724	8		INDOOR COIL / FILTERS
75011851	10		HARNESS - COMMON CONTROLS
75011857	10		HARNESS - CONTROLS WITH CTS
75012171	10		HARNESS - CONTROLS, 2 STAGE COMPRESSOR
75012174	10		HARNESS - IDM ADAPTER, 575V TRANSFORMER
75011850	10		HARNESS - POWER
75011855	10		TERMINAL BLOCK - CONTROLS (CTB)
OPTIONS	11		OPTIONAL FIELD INSTALLED ACCESSORIES
75011717	12		MODEL NUMBER DESCRIPTION, DIGITS 1 - 17
75011718	12		MODEL NUMBER DESCRIPTION, DIGITS 18 - 31
75011719	12		MODEL NUMBER NOTES

UNIT BASE COMPONENTS

75011721

REV.
A



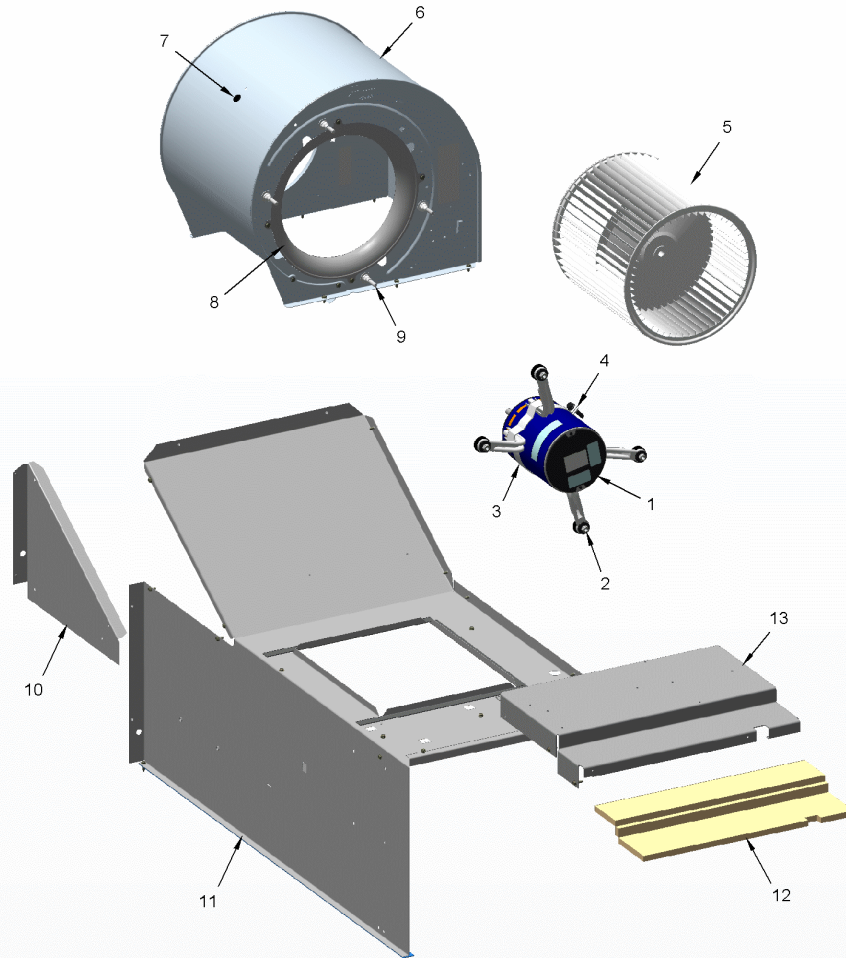
This is a typical illustration. The unit in the field may not appear exactly as shown.

Part No.	Reference No.	Quantity	Description
PLT03619	1	1	PLATE; MOUNTING, COMPRESSOR, 34.56 X 14.30
RAL00878	3	1	RAIL; END, 53 IN LENGTH
CLP01008	4	2	NO DESCRIPTION AVAILABLE
SUP04486	5	1	SUPPORT; INDOOR COIL, 51.6 INCH LENGTH
BRK03275	6	1	BRACKET; COMPRESSOR SUPPORT (3 SIDES)
ANG01324	7	1	ANGLE; TOGGLE LOCK, 51.00 X 1.80
RAL01211	8	1	RAIL; BASE, C/D CABINET
BRK03274	9	4	BRACKET; BASE SUPPORT MOUNT, 10.3 LENGTH (FORKLIFT BRACKET)

BLOWER

75011700

REV.
A



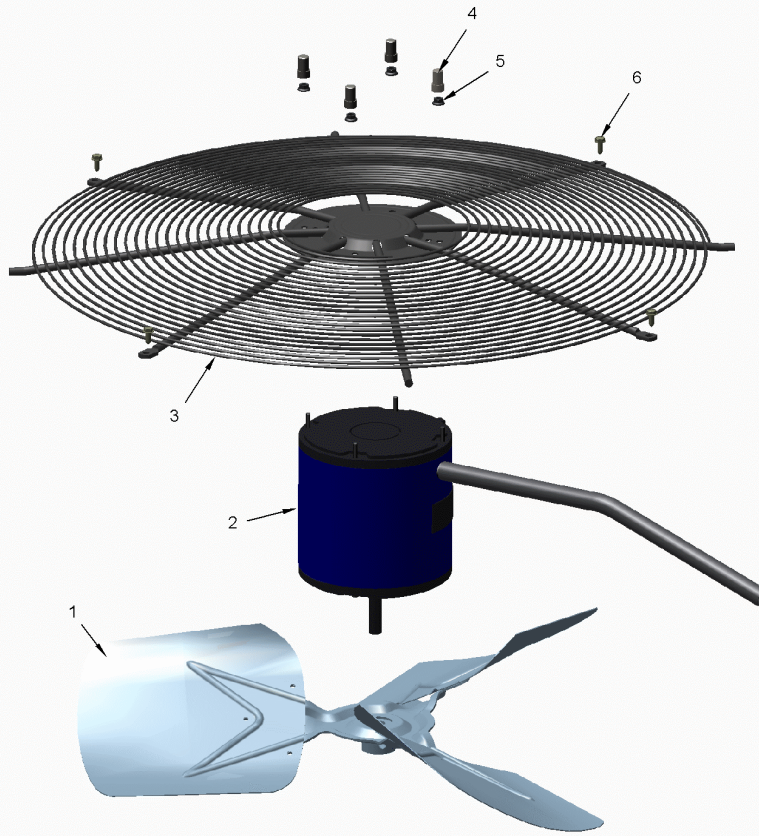
This is a typical illustration. The unit in the field may not appear exactly as shown.

Part No.	Reference No.	Quantity	Description
BRK03657	2	4	BRACKET; MOTOR ARM, INCLUDES GROMMET. (CONTAINS A QTY OF 4 BRACKETS)
NUT00355	2	4	NUT; HEX, LOCK, 5/16IN.-18
BRK03232	3	1	BRACKET; MOTOR MOUNTING, 17.6 LENGTH (4 LEG)
NUT00446	4	1	NUT; 0.31-18, HEX FLANGE-LOCK
WHL02168	5	1	WHEEL; FAN, 11.87 DIA X 11.93 W, .50 BORE, CCW, CONCAVE. INCLUDES 5/16-18 X 1/2 INCH SQH CUP PT SET SCREW.
HUS03676	6	1	HOUSING; BLOWER, 11 X 11
BUS00485	7	1	BUSHING; .62 MTG W/MAX .44 ID
ORF01304	8	1	ORIFICE; INLET RING, 10.38 ID
NUT00668	9	4	NUT; PALLET
PNL16806	10	1	PANEL; BLOCKOFF-HEAT, 14.94 X 12.00 (TRIANGLE SHAPED)
PNL24265	11	1	PANEL; WRAPPER, REAR, HEAT
INS03491	12	1	INSULATION; WRAPPER FRONT
PNL22257	13	1	PANEL; TOP FRONT, 19.75 X 14.59

FAN

75011210

REV.
A



This is a typical illustration. The unit in the field may not appear exactly as shown.

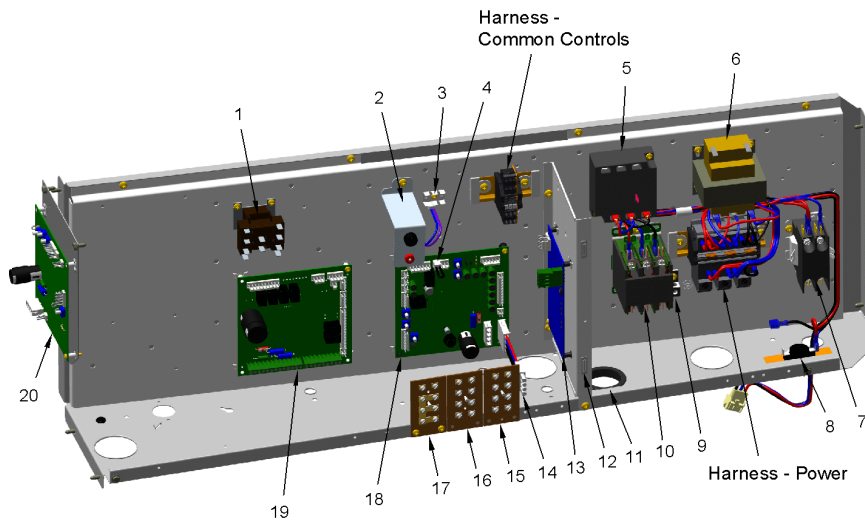
Part No.	Reference No.	Quantity	Description
FAN05568	1	1	PROPELLER; OD FAN - 22 INCH 3 BLADES
MOT17286	2	1	MOTOR; 3 PHASE 1/3 HP 575
GRL01353	3	1	GRILLE; OUTDOOR FAN, 30.33 MTG DIA
IRT00017	4	4	INSERT; BUMPER-STOP, 0.468 OD X 0.81 LG, BLACK RUBBER
NUT00845	5	4	NUT; FLANGE NIBBED
SCR01623	6	4	SCREW; SHEET METAL, 10-16 UNC X 1/2, HIGH TORQUE, INDENT HEX-WASHER HEAD

CONTROL PANEL

75012190

REV.
A

The Parts that appear on this illustration are for all options.
Parts will appear in the Parts List if ordered with the unit.



This is a typical illustration. The unit in the field may not appear exactly as shown.

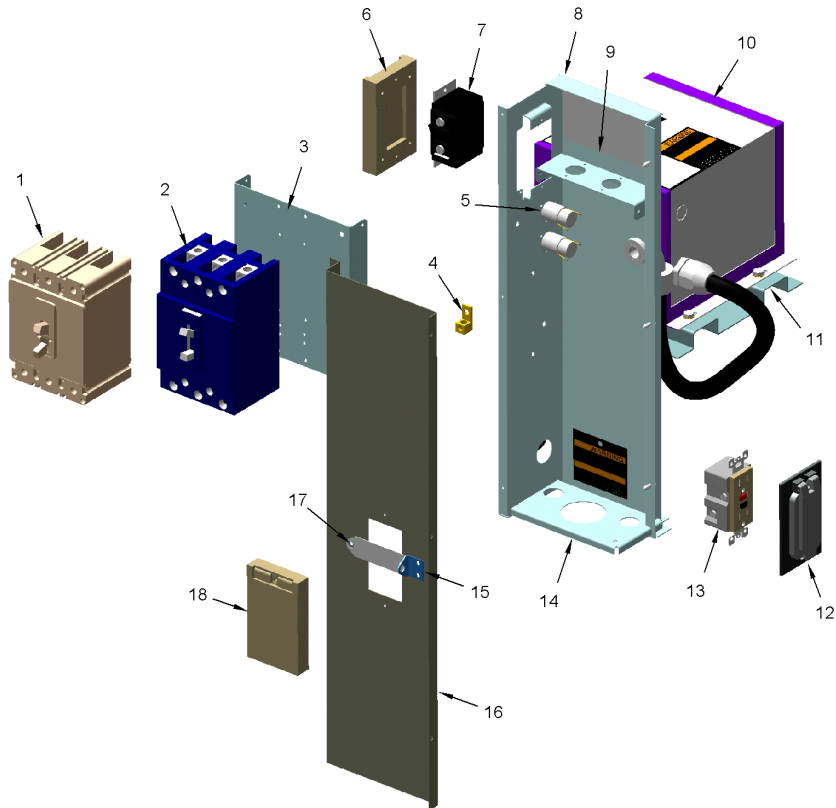
Part No.	Reference No.	Quantity	Description
TER01680	3	1	TERMINAL STRIP; .25IN. FASTON
CNT05176	5	1	CONTROL; MONITOR, 3-PHASE LINE, UNIVERSAL 180-632 VAC, PHASE AND LOSS REVERSAL
TRR00826	6	1	TRANSFORMER; 75 VA, 460-575V PRI, 24V SEC
CTR01203	7	1	CONTACTOR; 2P, 30A, 24V COIL, 30 FLA AT 277V
CNT01405	8	1	CONTROL; TEMP, OPEN 65F, CLOSE 55F, SPST
CON00077	9	1	CONNECTOR, ELECTRIC GROUND, 14-2 AWG SOLDERLESS
CTR01870	10	1	CONTACTOR; 3 POLE, 30 FLA, W/O LUGS, 50/60 HZ, 24V COIL
BUS00338	11	1	BUSHING; SNAP, 2.00 INCH OD X 1.63 ID, MAX PANEL THICKNESS 0.125, BLACK NYLON
CAT00043	12	2	CATCH; MAGNETIC SNAP-IN
BLK00940	17	1	BLOCK; 6 TERMINALS (LVTB)
MOD02511	19	1	MODULE; RELIATEL REFRIGERATION DUAL CIRCUIT COOL/HP

CONTROLS
THROUGH THE BASE
TYPICAL ILLUSTRATION

75010594

REV.
A

The parts that appear on this illustration are for all options.
Parts will appear in the Parts List if ordered with the unit.



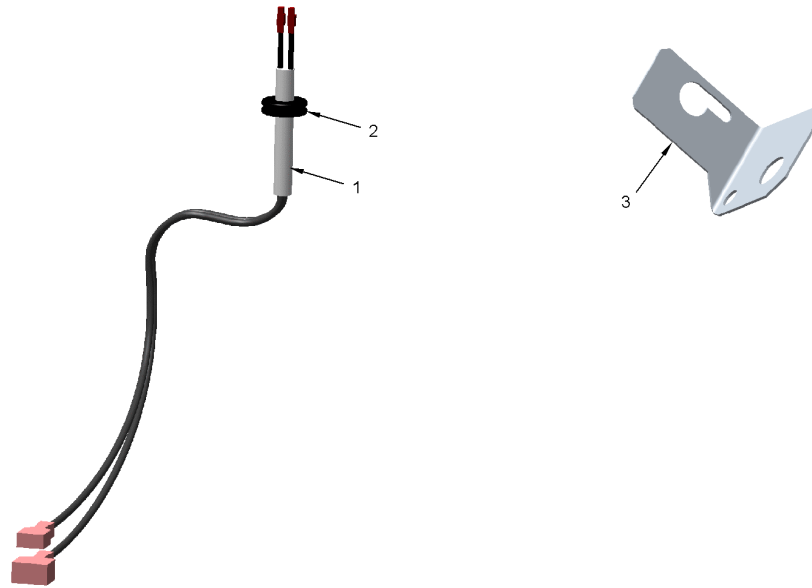
Part No.	Reference No.	Quantity	Description
BUS00465	*	1	BUSHING; SNAP, BLACK UNIVERSAL, 1.093 MOUNTING HOLE
CON00490	*	1	CONNECTOR; 0.50 NOM STR
PNL14763	4	1	PANEL; CONDUIT CONNECTION PLATE, TBUE, 6.41 X 3.33
FUS02239	5	2	MIN=10/10 FUSE; TIME DELAY, CLASS CC, 5.6 AMPS, 600V
HLD00159	5	2	HOLDER; FUSE
COV03834	6	1	COVER; OUTLET, W/ HINGED LID AND GASKET
PNL24294	8	1	PANEL; ENCLOSURE, TBUE, 24.40 HT
BRK03707	9	1	BRACKET; TRANSFORMER FUSE HOLDER, 5.51 X 1.80
TRR02551	10	1	TRANSFORMER; AUTO, BALANCED, 575V PRI, 240V SEC, 60 HZ, 2KVA, CLASS 1
MNT02194	11	1	MOUNT; TRANSFORMER, TBUE, 14.43 X 10.33
PNL14757	16	1	PANEL; TBUE ENCLOSURE, FRONT, 24.40 X 6.80

OUTDOOR AIR SENSOR

75010620

REV.
A

TYPICAL ILLUSTRATION

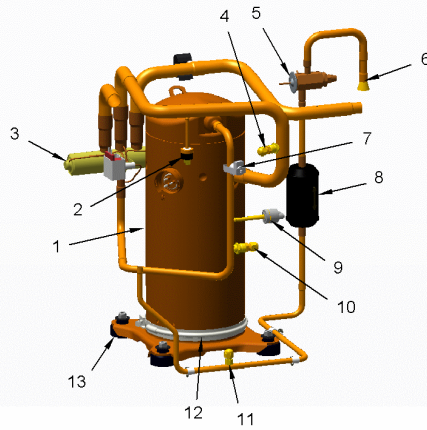
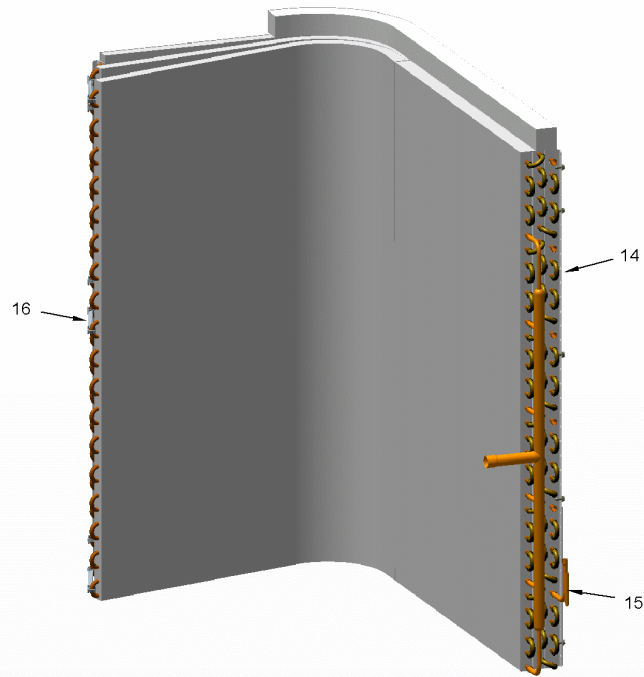


Part No.	Reference No.	Quantity	Description
SCR01623	*	4	SCREW; SHEET METAL, 10-16 UNC X 1/2, HIGH TORQUE, INDENT HEX-WASHER HEAD
SEN01829	1	1	SENSOR; THERMISTOR PROBE, -40 TO 65C, .25 DIA X 1.75 LG W/26" PVC LEADS-INSUL QC
GRM00039	2	1	GROMMET; RUBBER .25 ID X .05 GRV MLD
BRK04441	3	1	BRACKET; OUTDOOR AIR SENSOR

REFRIGERATION

75011725

REV.
A



This is a typical illustration. The unit in the field may not appear exactly as shown.

Parts List Number :WHCUP1

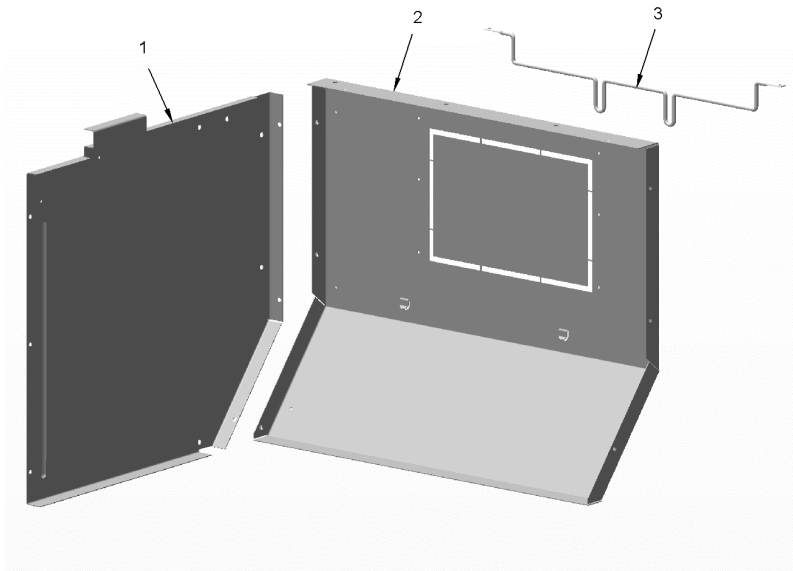
Model Number :WHC048HWR0A005D

Part No.	Reference No.	Quantity	Description
CLP00296	*	1	CLIP; TXV BULB, 7/8 INCH
PLU01302	*	1	PLUG; COMPRESSOR; 2 STAGE SOLENOID WITH RECTIFIER, 2 PIN, 20 AWG, 10 IN LENGTH, (2 WIRE-RD,BL)
COM10928	1	1	NO DESCRIPTION AVAILABLE
SWT03173	2	1	SWITCH; LOW PRESSURE CUTOFF, 250 OPEN, ACTUATION PRESSURE 41 +/- 4, RESET PRESSURE 25 +/- 4
VAL08359	3	1	VALVE; REVERSING, 6 TON, .88 ODF X .63 ODF. INCLUDES 24V SOLENOID COIL - COL12849
CAP00072	4	1	CAP; VALVE, SEAL, .25 FFL
SET00819	4	1	SEAT; SADDLE MOUNT ASSEMBLY
STM00803	4	1	STEM; SADDLE MOUNT, VALVE CORE, BRASS, .344 DIA X 1.29 SCHRAEDER TYPE FITTING (TO INCLUDE 5 PIECES)
VAL12710	5	1	VALVE; EXPANSION, 3 TON, R410A, 0.500 ODF INLET, 0.375 ODF OUTLET, NON-ADJUSTABLE, 92.0 PSIG
THT02805	7	1	THERMOSTAT; WITH CLIP, .5/.625 TUBE, 38 IN, BLACK WIRES, SPST, 230F OPEN, 180F CLOSE
DHY01451	8	1	DRIER; BI-FLOW; SERVICE FIRST; 8 CU. IN; DCB083S, 3/8 ODF CONNECTIONS; 2.3 TON CAPACITY; APPROVED FOR MINERAL OIL AND POE OIL REFRIGERANTS; MANUFACTUR
SWT03398	9	1	SWITCH; HIGH PRESSURE, BRAZED, OPENS AT 650 PSIG, CLOSSES AT 550 PSIG, 36 INCH WHITE LEADS
CAP00072	10	1	CAP; VALVE, SEAL, .25 FFL
SET00819	10	1	SEAT; SADDLE MOUNT ASSEMBLY
STM00803	10	1	STEM; SADDLE MOUNT, VALVE CORE, BRASS, .344 DIA X 1.29 SCHRAEDER TYPE FITTING (TO INCLUDE 5 PIECES)
CAP00072	11	1	CAP; VALVE, SEAL, .25 FFL
COR00006	11	1	CORE; VALVE PORT, .79 LENGTH, .206-36 UNS 2A THD
VAL01483	11	1	VALVE; BODY, .44-20 THD X .25 ODS, STRAIGHT, BRASS, LESS CORE
HTR10244	12	1	HEATER; CRANKCASE, 40W, 575V, (32W AT 460V) 18AWG W/2 LEADS - ONE IS 65" LG W/ 1/4 INSUL FEMALE QC - ONE IS 65" LG W/ 1/4 UNINSUL FEMALE QC
ISR00007	13	4	ISOLATOR; VIBRATION
NUT00355	13	4	NUT; HEX, LOCK, 5/16IN.-18
HLD00255	15	1	HOLDER; THERMISTOR
KIT15254	16	6	KIT; OUTDOOR COIL CLIPS, BLACK PLASTIC, 3.878 LENGTH (PACKAGE OF 6 CLIPS)

ELECTRIC HEAT VESTIBULE

75011713

REV.
A



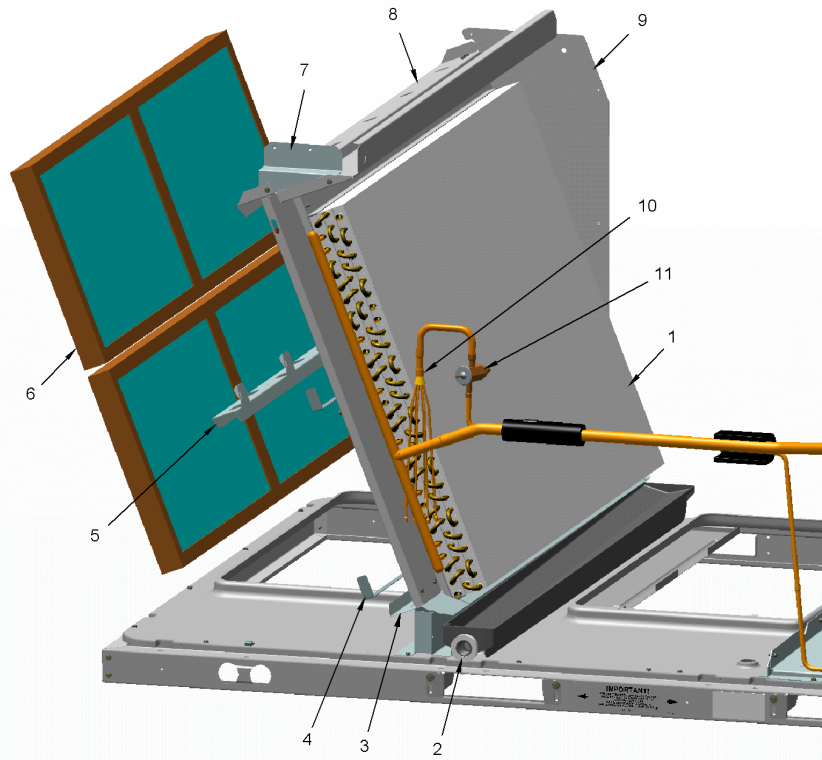
This is a typical illustration. The unit in the field may not appear exactly as shown.

Part No.	Reference No.	Quantity	Description
SCR01608	*	9	SCREW; 10-16 UNC X .75, SH MET, HX WASHER HD IDENT - TYPE AB, STL - MAGNIGARD SILVER 17
SCR01623	*	8	SCREW; SHEET METAL, 10-16 UNC X 1/2, HIGH TORQUE, INDENT HEX-WASHER HEAD
PNL24290	1	1	PANEL; WRAPPER SIDE, ELECTRIC HEAT, 17.74 X 16.94
PNL24289	2	1	PANEL; VESTIBULE, ELECTRIC HEAT, 19.62 X 16.13
SUP04510	3	1	SUPPORT; ELECTRIC HEATER, .187 DIA GALVANIZED STEEL, 17.42 LENGTH

INDOOR COIL / FILTERS

75011724

REV
A



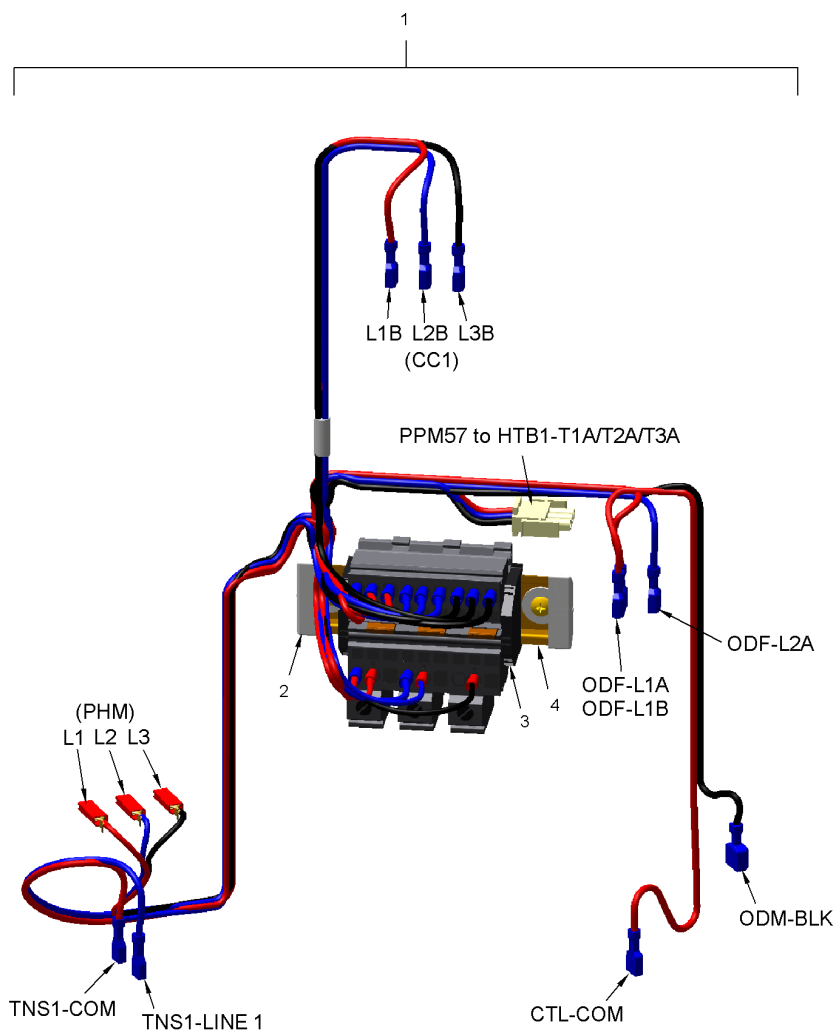
This is a typical illustration. The unit in the field may not appear exactly as shown.

Part No.	Reference No.	Quantity	Description
CLP01072	*	1	CLIP; BULB (BLUE), 3/4 OD TUBE
COL13562	1	1	COIL; INDOOR, FLAT FIN (TXV NOT INCLUDED)
BOF02311	3	1	BLOCKOFF; INDOOR COIL BOTTOM, 51.44 X 2.65 X 2.15
TOL03963	4	2	TOOL; FILTER REMOVAL
BRK03938	5	1	BRACKET; FILTER CHANNEL, 50.50 LENGTH
BRK03098	7	1	BRACKET; TOP, INDOOR COIL MOUNT, 6 IN LENGTH
BOF02399	8	1	BLOCKOFF; ID COIL - TOP C-CAB W FILTER RETENTION
BRK03096	9	1	BRACKET; FILTER STOP, 31.97 X 3.00
TUB11742	10	1	TUBE; ASSEMBLY, INDOOR DISTRIBUTOR
VAL18360	11	1	VALVE; TEV HXCE 2 ZX200 R410A

POWER HARNESS

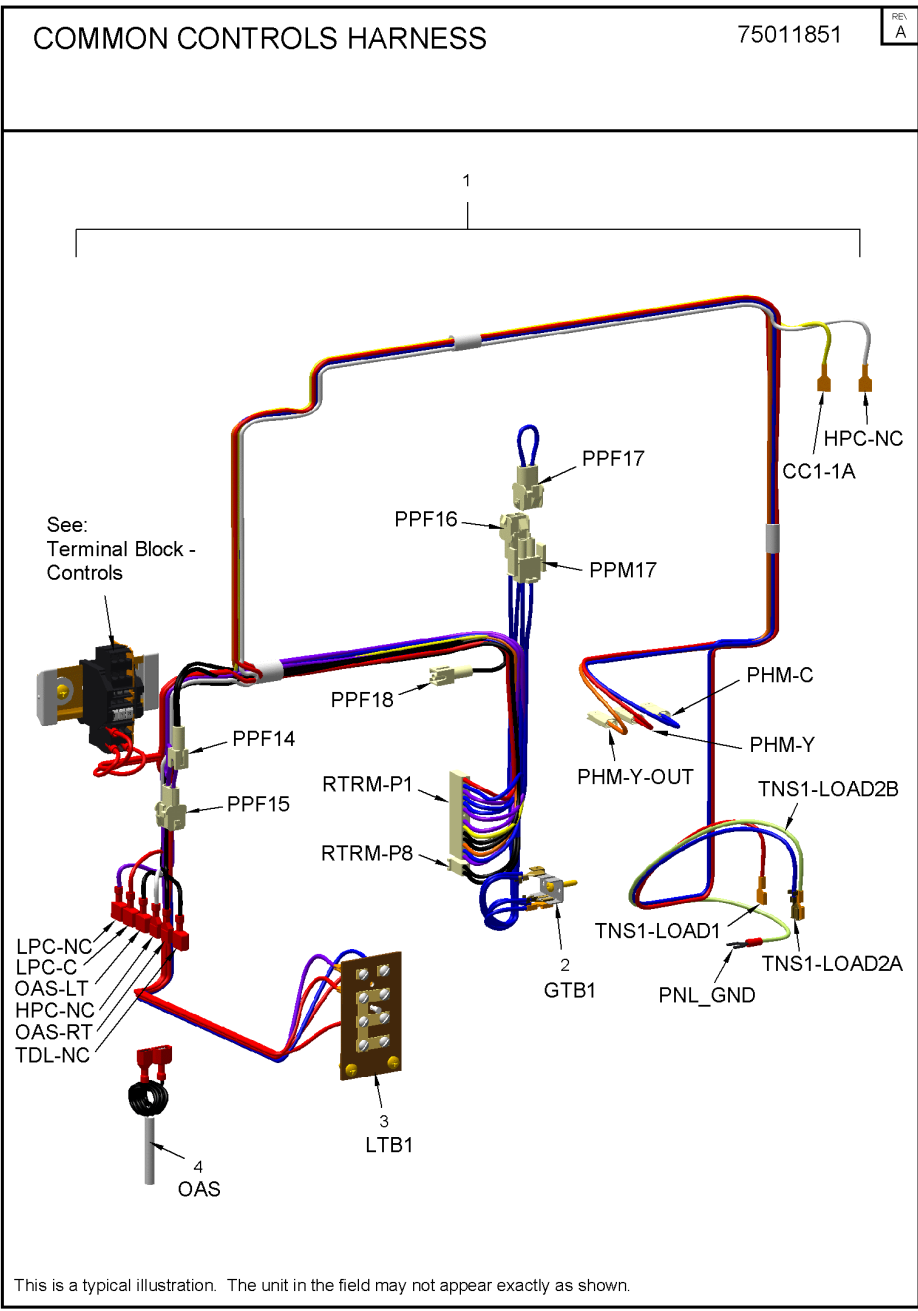
75011850

REV
A



This is a typical illustration. The unit in the field may not appear exactly as shown.

Part No.	Reference No.	Quantity	Description
WIR08684	1	1	HARNESS - POWER, INCLUDES HTB1
CAP01251	2	2	CAP; PROTECTIVE FORM CAP
TER01332	3	2	TERMINAL; BLOCK, END STOP
RAL01169	4	1	RAIL; DIN TERMINAL BLOCK, 35MM, 5.00 LG



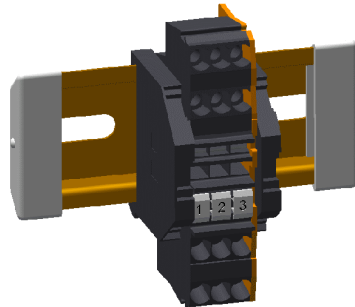
Part No.	Reference No.	Quantity	Description
WIR08678	1	1	WIRE; HARNESS; COMMON CONTROLS; C/D CAB
TER01680	2	1	TERMINAL STRIP; .25IN. FASTON
BLK00940	3	1	BLOCK; 6 TERMINALS (LVTB)
SEN01829	4	1	SENSOR; THERMISTOR PROBE, -40 TO 65C, .25 DIA X 1.75 LG W/26" PVC LEADS-INSUL QC

TERMINAL BLOCK - CONTROLS (CTB)

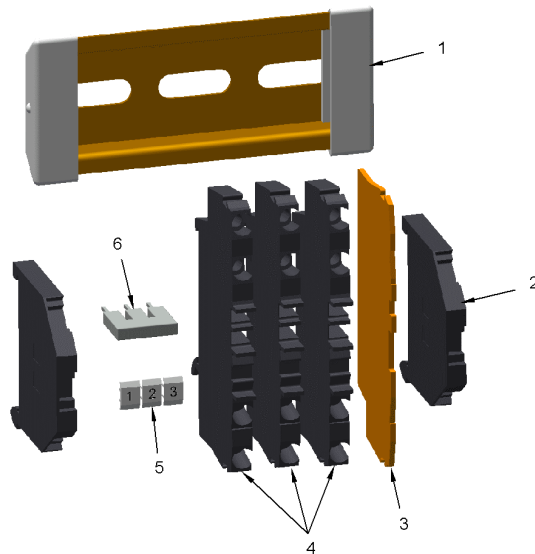
75011855

REV.
A

This assembly is a component of the Common Controls Harness

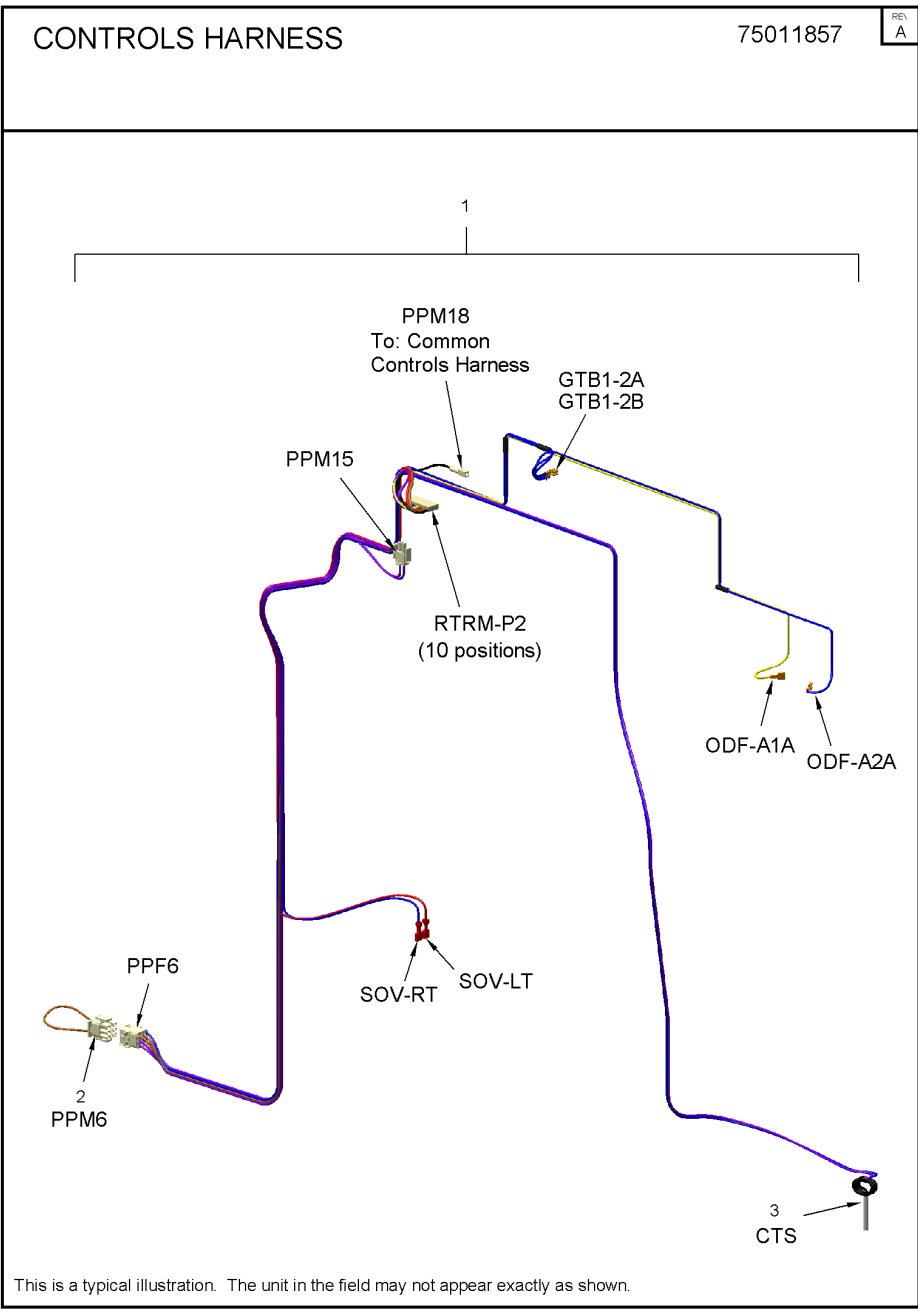


Reference - complete assembly



This is a typical illustration. The unit in the field may not appear exactly as shown.

Part No.	Reference No.	Quantity	Description
CAP00251	1	2	CAP; TUBE
TER01332	2	2	TERMINAL; BLOCK, END STOP
PLT04051	3	1	PLATE; 4 CONDUCTOR POLE END PLATE
TER01334	4	3	TERMINAL; BLOCK, 4 CONDUCTOR POLE 20A 600V
TER01351	5	1	TERMINAL; BLOCK, POLE MARKING 1-10 VERT
TER01354	6	1	TERMINAL; BLOCK, 3 POLE JUMPER



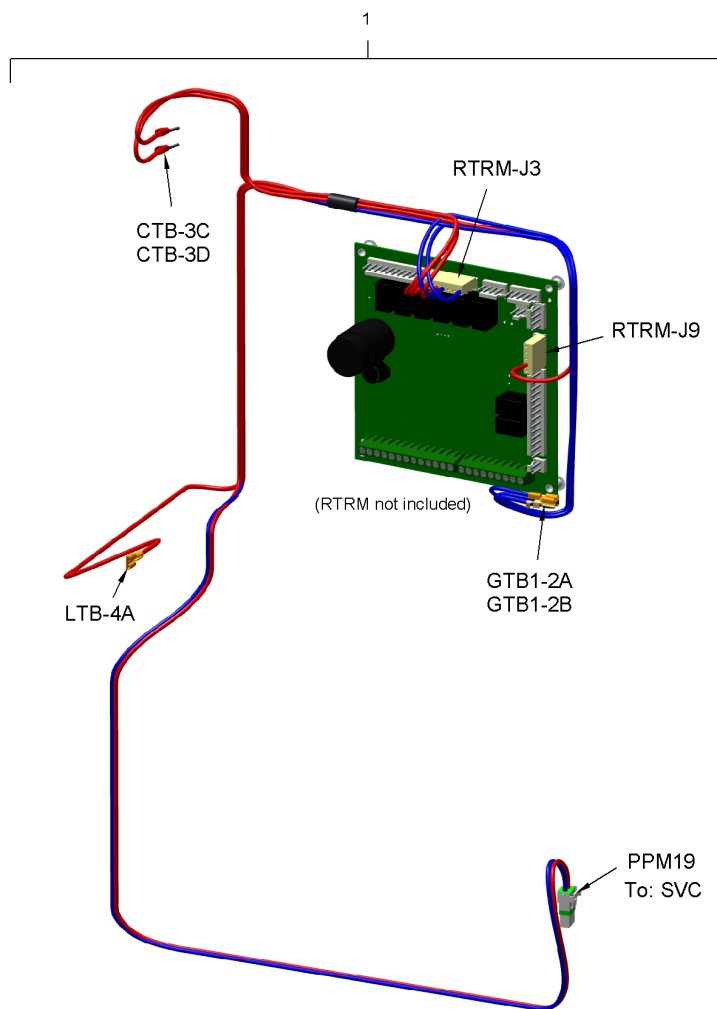
Part No.	Reference No.	Quantity	Description
WIR05212	*	1	WIRE; HARNESS, COIL TEMP SENSOR (CTS), 77 IN L, 162C(PR),163C(BU)
WIR08680	1	1	WIRE; HARNESS, CONTROLS, INCLUDES CTS-SEN00275 & WIR08179
WIR08179	2	1	WIRE; HARNESS, NO HEAT CONFIGURATION - RELIATEL CONTROLS
SEN00275	3	1	SENSOR; THERMISTOR PROBE, -40 DEG C TO 65 DEG C, 12 INCH STRIPPED LEADS

CONTROLS HARNESS

75012171

REV
A

2 Stage Compressor



This is a typical illustration. The unit in the field may not appear exactly as shown.

Parts List Number :WHCUP1

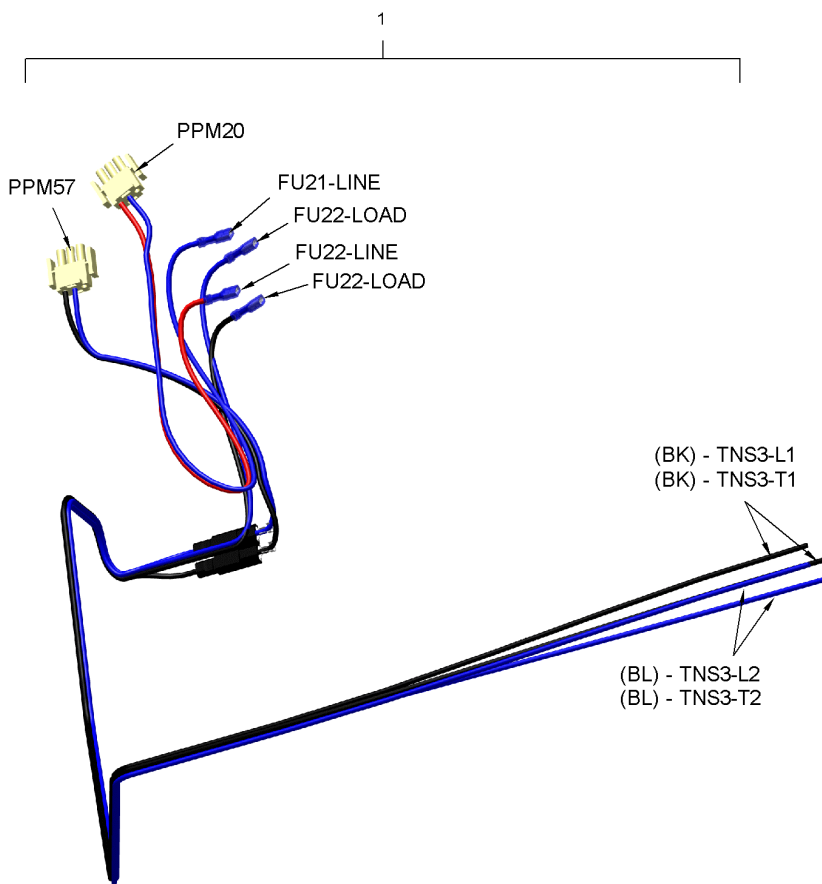
Model Number :WHC048HWR0A005D

Part No.	Reference No.	Quantity	Description
WIR08880	1	1	WIRE; HARNESS; C/D CAB; CNTLS; 2 STAGE COMP

HARNESS - IDM ADAPTER - TNS3

75012174

REV
A



This is a typical illustration. The unit in the field may not appear exactly as shown.

Parts List Number :WHCUP1

Model Number :WHC048HWR0A005D

Part No.	Reference No.	Quantity	Description
CON00486	*	2	CONNECTOR; PLUG HOUSING, 3 PIN MALE
TER00315	*	4	TERMINAL; .25 INSUL. FASTON
WIR08682	1	1	WIRE; HARNESS; IDM ADAPTER - 575V TRANSFORMER

Parts List Number :WHCUP1

Model Number :WHC048HWR0A005D

Part No.	Reference No.	Quantity	Description
BAYABRD001C	*	1	KIT; ACCESSORY, OPTIONS BOARD (BAYABRD001CA)
BAYBARM011A	*	1	DAMPER; BAROMETRIC RELIEF (BAYBARM011AB)
BAYBCIR001A	*	1	KIT; FIELD INSTALLED BCI (BAYBCIR001A)
BAYCCHT011B	*	1	HEATER; ACCESSORY, CRANKCASE, 460/575V (BAYCCHT011BB)
BAYCO2K101A	*	1	KIT; WALL MOUNT CO2 SENSOR KIT
BAYCO2K103A	*	1	KIT;DUCT MOUNT CO2 SENSOR KIT
BAYCURB043A	*	1	CURB; ROOFCURB (BAYCURB043AB)
BAYDFPS004A	*	1	KIT; FAN FAILURE SWITCH (BAYDFPS004AB). (OPTIONS BOARD KIT09433-BAYABRD001CA MUST BE INSTALLED IN THE UNIT FOR THIS ACCESSORY TO OPERATE).
BAYDMPR054A	*	1	DAMPER; RELIATEL, 0-50 PERCENT MOTORIZED OUTSIDE AIR DAMPER (BAYDMPR054A)
BAYDMPR056B	*	1	DAMPER; 0-50% MANUAL OUTSIDE AIR DAMPER (BAYDMPR056BA)
BAYECON087A	*	1	ECONOMIZER; RELIATEL, 0-100 PERCENT DRY BULB (BAYECON087A)
BAYECON704A	*	1	ACCESSORY; LOW LEAK ECONOMIZER, FOR C/D/E CABINETS WITH RELIATEL CONTROLS (SEE ACC-SVN177* FOR MODELS)
BAYENTH005A	*	1	KIT; REFERENCE ENTHALPY (BAYENTH005A)
BAYENTH006B	*	1	KIT; COMPARATIVE ENTHALPY (BAYENTH006B)
BAYGARD040C	*	1	ACCESSORY; HAIL GUARD, CONDENSER COIL - C CAB
BAYHTRXW06B	*	1	ELECTRIC HEATER
BAYHTRXW12B	*	1	ELECTRIC HEATER
BAYHTRYW18A	*	1	HEATER; 17.4 KW 600/60/3
BAYHTRYW23A	*	1	HEATER; 23.0 KW 600/60/3
BAYICSI003A	*	1	BOARD; ACCESSORY, RELIATEL COMMUNICATIONS INTERFACE BOARD (BAYICSI003AD)
BAYLOAM020B	*	1	CONTROL; EVAPORATOR DEFROST KIT (FROSTAT) (BAYLOAM020BB). (OPTIONS BOARD KIT09433-BAYABRD001CA MUST BE INSTALLED IN THE UNIT FOR THIS ACCESSORY TO OPE
BAYLTCI002B	*	1	KIT; RELIATEL COMMUNICATIONS INTERFACE THAT INCORPORATES LONTALK PROTOCOL (BAYLTCI002BB)
BAYPWRX072A	*	1	POWER EXHAUST, 575V, FOR 3-5 TON T/W/YSC & D/T/W/YHC
BAYQACB011A	*	1	CURB; ADAPTA CURB (BAYQACB011AA), TRANSITIONS BAYCURB022B, 83.50 X 49.375
BAYQACB012A	*	1	CURB; ADAPTA CURB (BAYQACB012AA), TRANSITIONS BAYCURB025B, 90.50 X 60.625
BAYQACB013A	*	1	CURB; ADAPTA CURB (BAYQACB013AA), TRANSITIONS BAYCURB026B, 103.375 X 68.125
BAYQACB501A	*	1	ADAPTOR CURB KCC-302
BAYQACB502A	*	1	ADAPTOR CURB KCC-258
BAYRTEM001A	*	1	RELIATEL ECONOMIZER LOGIC MODULE
BAYSSENS050A	*	1	WIRELESS ZONE SENSOR
BAYTUBE007A	*	1	KIT; DISCHARGE AIR SENSING (BAYTUBE007A). (OPTIONS BOARD KIT09433-BAYABRD001CA MUST BE INSTALLED IN THE UNIT FOR THIS ACCESSORY TO OPERATE).
BAYVNOR001B	*	1	KIT; VENTILATION OVERRIDE (BAYVNOR001BB) (OPTIONS BOARD KIT09433-BAYABRD001CA MUST BE INSTALLED IN THE UNIT FOR THIS ACCESSORY TO OPERATE).
KIT17430	*	1	KIT17430; TD5 DISPLAY UPGRADE PRECEDENT LIGHT COMMERCIAL
PLT03127	*	1	PLATE; COMBINED MOUNTING PLATE AND ADAPTER PLATE (BAYMTPL003BA)
PLT04561	*	1	PLATE; WALL COVER PLATE ASSEMBLY (BAYMTPL110A)
SEN00278	*	1	SENSOR; THERMISTOR PROBE, -40 DEG C TO 65 DEG, STRIPPED LEADS (BAYSSENS016AA)
SEN01379	*	1	SENSOR; TEMPERATURE, RETURN AIR - DUCT (BAYSTAT059AA)
SEN01447	*	1	SENSOR; ZONE, ROOM SENSOR W/TEMP. ADJUSTMENT WITH OVERRIDE AND CANCEL BUTTONS, 10K, DIAL, OCCUPIED (BAYSSENS074AA)
SEN01448	*	1	SENSOR; ZONE, REMOTE ROOM SENSOR, 10K (BAYSSENS077AA)
SEN01450	*	1	SENSOR; ZONE, ROOM SENSOR W/ OVERRIDE AND CANCEL BUTTONS, 10K, OCCUPIED (BAYSSENS073AA)

Part No.	Reference No.	Quantity	Description
SEN01513	*	1	SENSOR; ZONE; DUAL SETPOINT MANUAL OR AUTO CHANGEOVER, TWO SET FAN SYSTEM (BAYSENS108AA)
SEN01515	*	1	SENSOR; ZONE SINGLE SETPOINT MANUAL CHANGEOVER, SET FAN SYSTEM, COOL/OFF/HEAT (BAYSENS106A)
SEN01522	*	1	SENSOR; ZONE, DUAL SETPOINT MANUAL OR AUTO CHANGEOVER W/SYSTEM FUNCTION LIGHTS TWO SET FAN SYSTEM, LED (BAYSENS110A)
SEN01523	*	1	SENSOR; PROGRAMMABLE ZONE, AUTOMATIC OR MANUAL CHANGEOVER W/ SYSTEM LIGHTS TRANE (BAYSENS119AA)
SEN01528	*	1	SENSOR; ZONE, SET FAN SYSTEM, EH LED (BAYSENS107A)
SEN01577	*	1	SENSOR; PROGRAMMABLE ZONE, AUTOMATIC OR MANUAL CHANGEOVER W/ SYSTEM LIGHTS TRANE (BAYSENS119AA)
SEN01578	*	1	SENSOR; PROGRAMMABLE ZONE, AMERICAN STANDARD (ASYSTAT777AA)
SEN01582	*	1	SENSOR; TEMPERATURE, OPERATING RANGE 45 TO 99F (BAYSTAT060AB)
SEN02076	*	1	SENSOR; TEMPERATURE, DISPLAY SENSOR, SETPOINT, TOV
THT00839	*	1	THERMOSTAT; REMOTE POTENTIOMETER, 60-90 DEG F (BAYSTAT023AA)
THT02239	*	1	THERMOSTAT; HIGH TEMPERATURE (BAYFRST001AA)
THT02772	*	1	THERMOSTAT, WALL MOUNT, NON-PROGRAMMABLE 1H/1C (BAYSTAT151A)
THT02773	*	1	THERMOSTAT; WALL MOUNT, NON-PROGRAMMABLE 3H/2C (BAYSTAT155A)
THT02774	*	1	THERMOSTAT; WALL MOUNT, PROGRAMMABLE 3H/2C, (BAYSTAT150AA)
THT02775	*	1	THERMOSTAT; PROGRAMABLE TOUCH SCREEN 3H/2C
TOL00099	*	1	TOOL; RESISTANCE DECADE BOX

MODEL NUMBER DESCRIPTION	75011718	REL A
Precedent Heat Pump		
<p><i>Example Model Number:</i></p> <p>WSC036HWRJA0AB0C1A10202DAA100F0</p> <p style="font-size: small;">1 - - - 5 - - - 10 - - - 15 - - - 20 - - - 25 - - - 30 -</p>		
<p>Digit 18 – Through the Base Provisions 0 = No Through-the-Base Provisions A = Through-the-Base Electric (7) B = Through-the-Base Gas Piping (8) C = Through-the-Base Electric Gas Piping (8)</p> <p>Digit 19 – Disconnect/Circuit Breaker 0 = No Disconnect/No Circuit Breaker 1 = Unit Mounted Non-Fused Disconnect (7) 2 = Unit Mounted Circuit Breaker (7)</p> <p>Digit 20 – Convenience Outlet 0 = Convenience Outlet A = Unpowered Convenience Outlet B = Powered Convenience Outlet (9)</p> <p>Digit 21 – Communications Options 0 = No Communications Interface 1 = Trane® Communications Interface 2 = LonTalk® Communications Interface 6 = BACnet® Communications Interface 7 = Air-Fi™ Wireless Communications (10)</p> <p>Digit 22 – Refrigeration System Option 0 = Standard Refrigeration System (11)</p> <p>Digit 23 – Refrigeration Controls 0 = No Refrigeration Control (1) 1 = Frostat™ (12) 2 = Crankcase Heater (13)</p> <p>Digit 24 – Smoke Detector 0 = No Smoke Detector A = Return Air Smoke Detector (14) B = Supply Air Smoke Detector C = Supply and Return Air Smoke Detectors (14) D = Plenum Smoke Detector</p>	<p>Digit 25 – System Monitoring Controls 0 = No Monitoring System 1 = Clogged Filter Switch 2 = Fan Failure Switch 3 = Discharge Air Sensing Tube 4 = Clogged Filter Switch and Fan Failure Switch 5 = Clogged Filter Switch and Discharge Air Sensing Tube 6 = Fan Failure Switch and Discharge Air Sensing Tube 7 = Clogged Filter Switch, Fan Failure Switch and Discharge Air Sensing Tube A = Condensate Drain Pan Overflow Switch B = Clogged Filter Switch and Condensate Drain Pan Overflow Switch C = Fan Failure Switch and Condensate Drain Pan Overflow Switch D = Discharge Air Sensing and Condensate Drain Pan Overflow Switch E = Clogged Filter Switch, Fan Failure Switch, and Condensate Drain Pan Overflow Switch F = Clogged Filter Switch, Discharge Air Sensing, and Condensate Drain Pan Overflow Switch G = Fan Failure Switch, Discharge Air Sensing and Condensate Drain Pan Overflow Switch H = Clogged Filter Switch, Fan Failure Switch, Discharge Air Sensing, and Condensate Drain Pan Overflow Switch</p> <p>Digit 26 – System Monitoring Controls 0 = No Monitoring Controls A = Demand Control Ventilation (CO₂) (15) B = Low Leak Economizer with FDD (Fault Detection & Diagnostics) C = FDD (Fault Detection & Diagnostics) with DCV (Demand Control Ventilation)</p> <p>Digits 27 – Unit Hardware Enhancements 0 = No Enhancements 1 = Stainless Steel Drain Pan</p> <p>Digit 31 – Advanced Unit Controls 0 = Standard Unit Controls 1 = Human Interface</p>	
2 of 3		

MODEL NUMBER DESCRIPTION	75011717	REL A
Precedent Heat Pump		
<p><i>Example Model Number:</i></p> <p>WSC06 0H4 RJA0AG0C1A2B20 1DHC100C1</p> <p style="font-size: small; text-align: center;">1 - - - 5 - - - 10 - - - 15 - - - 20 - - - 25 - - - 30 -</p>		
<p>Digit 1 – Unit Type W = Packaged Heat Pump (1) D = Dual Fuel Heat Pump (1)</p> <p>Digit 2 – Efficiency H = High Efficiency S = Standard Efficiency</p> <p>Digit 3 – Airflow C = Convertible</p> <p>Digits 4,5,6 – Nominal Gross Cooling Capacity (MBh) 036 = 5 Ton 048 = 3 Ton 060 = 5 Ton</p> <p>Digit 7 – Major Design Sequence = H</p> <p>Digit 8 – Voltage Selection 3 = 208-230/60/3 4 = 460/60/3 W = 575/60/3</p> <p>Digit 9 – Unit Controls R = ReliaTel™ Microprocessor</p> <p>Digit 10 – Heating Capacity Note: <i>Applicable to Digit 1, W models only</i> 0 = No Electric Heat B = 6 kW (3 phase) E = 12 kW (3 phase) G = 18 kW (3 phase) J = 23 W (3 phase) Note: <i>Applicable to Digit 1, D models only</i> L = Low Heat M = Medium Heat H = High Heat X = Low Heat, Stainless Steel Heat Exchanger Y = Medium Heat, Stainless Steel Heat Exchanger Z = High Heat, Stainless Steel Heat Exchanger</p> <p>Digit 11 – Minor Design Sequence A = First Sequence</p> <p>Digits 12, 13 – Service Sequence ** = Factory Assigned</p>	<p>Digit 14 – Fresh Air Selection 0 = No Fresh Air A = Manual Outside Air Damper 0-50% (2) B = Motorized Outside Air Damper 0-50% C = Economizer, Dry Bulb 0-100% without Barometric Relief (3) D = Economizer, Dry Bulb 0-100% with Barometric Relief (3) E = Economizer, Reference Enthalpy 0-100% without Barometric Relief (3) F = Economizer, Reference Enthalpy 0-100% with Barometric Relief (3) G = Economizer, Comparative Enthalpy 0-100% without Barometric Relief (3) H = Economizer, Comparative Enthalpy 0-100% with Barometric Relief (3) K = Low Leak Economizer with Barometric Relief M = Low Leak Economizer with Reference Enthalpy with Barometric Relief P = Low Leak Economizer with Comparative Enthalpy with Barometric Relief</p> <p>Digits 15 – Supply Fan/Drive Type/Motor 0 = Standard Drive (4) 1 = Oversized Motor (4) 6 = Single Zone Variable Air Volume (SZVAV) (5) 7 = Multi-Speed Indoor Fan(6) 8 = Single Zone Variable Air Volume (SZVAV) with Oversized Motor (5) E = Multi-Zone Variable Air Volume (MZVAV) (5) F = Multi-Zone Variable Air Volume (MZVAV) with Oversized Motor (5)</p> <p>Digit 16 – Hinged Service Access/Filters 0 = Standard Panels/Standard Filters A = Hinged Access Panels/Standard Filters B = Standard Panels/2" MERV 8 Filters C = Hinged Access Panels/2" MERV 8 Filters D = Standard Panels/2" MERV 13 Filters E = Hinged Access Panels/2" MERV 13 Filters</p> <p>Digit 17 – Condenser Coil Protection 0 = Standard Coil 1 = Standard Coil with Hail Guard 2 = Black Epoxy Pre-Coated Condenser Coil 3 = Black Epoxy Pre-Coated Condenser Coil with Hail Guard</p>	
1 of 3		

MODEL NUMBER NOTES

75011719

REV.
A

Precedent Heat Pump

Example Model Number:

WSC048H3R0A0AM0B3000601D20100F0
1 - - - 5 - - - 10 - - - 15 - - - 20 - - - 25 - - - 30 -

Model Number Notes

- (1) High pressure control is standard on all units
- (2) Manual outside air damper will ship factory supplied within the unit, but must be field installed.
- (3) Economizer with Barometric Relief is for downflow configured units only. Order Economizer without Barometric Relief for horizontal configuration. Barometric Relief for horizontal configured units must be ordered as a field installed accessory.
- (4) Multi-Stage, direct drive standard.
- (5) SZVAV/MZVAV available only on 3 to 5 tons high efficiency and 10 ton standard efficiency unit.
- (6) Multi-speed indoor fan only available only on 3 to 5 tons high efficiency and 10 ton products.
- (7) Through the base electric required when ordering disconnect/circuit breaker options.
- (8) Includes gas piping and shutoff (field assembly required).
- (9) Requires use of Disconnect or Circuit Breaker.
- (10) Must be used with BACnet ® open protocol.
- (11) Standard metering devices are TXVs.
- (12) Frostat standard on multi-speed and SZVAV (single zone variable air volume) products.
- (13) Crankcase heater is standard on all 3 to 5 ton heat pumps.
- (14) The return air smoke detector may not fit up or work properly on the Precedent units when used in conjunction with 3rd party accessories such as bolt on heat wheels, economizers and power exhaust. Do not order the return air smoke detectors when using this type of accessory.
- (15) Demand Control Ventilation Option includes wiring only. The CO₂ sensor is a field-installed only option.

