

Submittal Package

Viega PureFlow[®] Press Fittings



Project _____ Date _____

Engineer _____ Contractor _____

Submitted by _____

Approved by _____ Date _____ Approved by _____ Date _____

Table of Contents

- Chilled Water
- Hydronic Heating
- Fire Protection
- Low-Pressure Steam
- Compressed Air
- Industrial Gases
- Vacuum

- 1 System Data Sheet** _____ **3**
 PureFlow Press Fittings _____ 3
- 2 Tech Data Sheet** _____ **4**
 PureFlow Fire Rated Outlet Boxes _____ 4
- 3 Product Instructions** _____ **5**
 PureFlow Press Connections _____ 5
- 4 Engineering Specifications** _____ **6**
 PureFlow System _____ 6
- 5 Dimensional Documents** _____ **10**
 PureFlow Press Fittings _____ 10
 PureFlow Press Polymer Fittings _____ 24
- 6 Warranty** _____ **31**
 PureFlow Water System _____ 31



Zero lead identifies Viega products meeting the lead free requirements of NSF 61-G through testing under NSF/ANSI 372 (0.25% or less maximum weighted average lead content.)



Viega products are designed to be installed by licensed and trained plumbing and mechanical professionals who are familiar with Viega products and their installation. **Installation by non-professionals may void Viega LLC's warranty.**



This document is subject to updates. For the most current Viega technical literature please visit www.viega.us.

1 System Data Sheet

PureFlow Press Fittings



Viega PureFlow Press fittings are available in zero lead bronze and polymer and include a factory-assembled, stainless steel sleeve with three viewing holes and a tool

locator ring to ensure a proper PEX press connection. Viega PureFlow Press is the most complete potable water and hydronic system solution available in North America.

PureFlow Press fittings are available in sizes ranging from $\frac{5}{16}$ " to 2" in elbows, tees, adapters, couplings, polymer manifolds, and valves. The $\frac{5}{16}$ " and $\frac{3}{8}$ " bronze fittings are not zero lead and are for use in radiant systems only.

Components

- Zero lead bronze fittings use high quality zero lead material
- Polymer fittings use high-grade polymer (Radel® R)
- Stainless steel press sleeves are 304 stainless steel

Operating Parameters

- Operating Temperature: 180°F max (potable)
200°F max (hydronic)
- Operating Pressure: 160 psi max at 73°
100 psi max at 180°F
- Test Pressure: Recommended: 100 psi, Maximum: 160 psi

Listings and Certifications

- ASTM E84
- ASTM F3347
- ASTM F3348
- CAN/ULC S101 / S102.2
- CSA B137.5
- HUD MR-1276
- ICC-ES PMG 1038/1015
- NSF-pw 372
- UL 1821
- UL 263

Compliant With

- International Mechanical Code (IMC)
- International Plumbing Code (IPC)
- International Residential Code (IRC)
- National Fire Protection Association - 13D (NFPA)
- National Standard Plumbing Code (NSPC)
- Uniform Mechanical Code (UMC)
- Uniform Plumbing Code (UPC)
- Housing for Urban Development (HUD)
- Canadian Standards Association (CSA)
- National Plumbing Code of Canada (NPCC)
- National Building Code of Canada (NBCC)

Approved Applications

- Hot and cold potable water
- Rainwater/gray water
- Hydronic heating and cooling*
- Fire Sprinkler** - NFPA 13D

*Viega FostaPEX® and Viega Barrier PEX tubing only.

**Black Viega PureFlow PEX sizes $\frac{3}{4}$ " through 2" only.

For more specific information on applications for PureFlow systems, contact Viega Technical Services at 1-800-976-9819.

Viega's PureFlow systems meet or exceed all requirements of ASTM F876/877 and are approved for installations above and below ground.

Recommended Tools

- Compact-size press tools (minimum hydraulic ram output of 5,400 lbs.) can be used to press $\frac{5}{16}$ " to 1½"
- Standard press tools (minimum hydraulic ram output of 7,200 lbs.) can be used to press ½" to 2"
- Hand tools ($\frac{5}{16}$ " to 1")

Smart Connect® Technology

Viega PureFlow Press fittings are manufactured with Viega's unique Smart Connect technology. Designed into the fitting itself, Viega Smart Connect technology allows identification of an unpressed fitting during pressure testing.

2 Tech Data Sheet

PureFlow Fire Rated Outlet Boxes



Description

This specification designates operating parameters, material characteristics, and listings of Viega Fire Rated Outlet Boxes. Models include ice maker and washing machine outlet boxes, with and without water hammer arrestors. All models include a 1/2" press connection, to be completed with the aid of a PureFlow Press hand tool or power press tool.

Materials

The body of the outlet box is constructed from fire resistant PVC with a factory-installed 1/4" intumescent pad. The valve is made from Eco Brass®, a zero lead brass alloy that is corrosion and dezincification resistant. References to zero lead indicate that products meet the requirements of both NSF/ANSI Standard 372 and NSF/ANSI 61.

Operating Parameters

- Temperature range: 0°F - 180°F
- Max Operating Pressure: 160 psi

Listings and Certifications

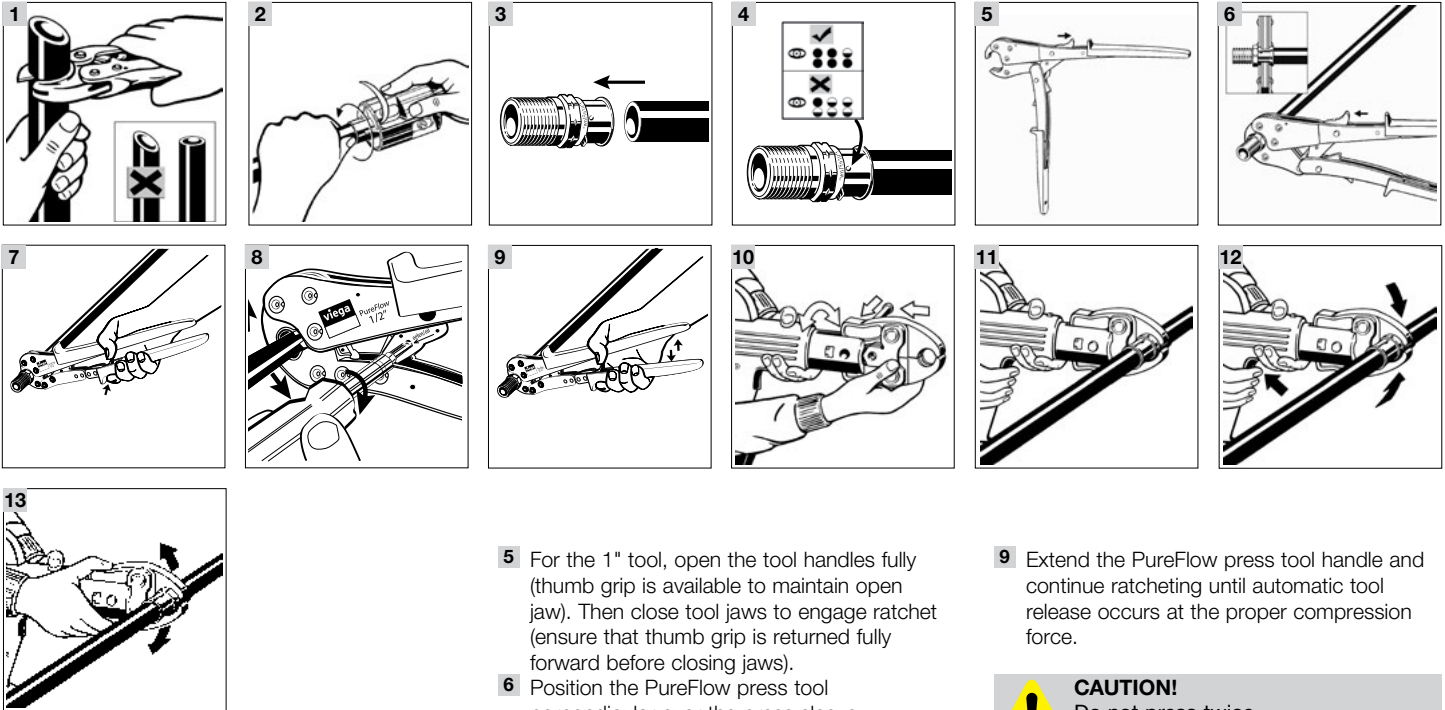
- CSA listed to NSF/ANSI/CAN 61-372
- ASTM F877
- ASME A112.18.1/CSA B125.1
- Warnock Hersey listed 1hr and 2hr:
 - ASTM E814
 - CAN/ULC S115
 - IAPMO UPC

Recommended Uses

Outlet boxes, depending on the model, are intended as connection points to either washing machines or ice makers. They are intended for use in hot and cold potable water distribution systems in single and multifamily dwellings, as well as multiple-unit structures (apartments, condos, hotels, motels, etc.).

3 Product Instructions

PureFlow Press Connections



Viega PureFlow Press Fittings

- 1 Square off tubing to proper length. Uneven, jagged, or irregular cuts will produce unsatisfactory connections.
- 2 If using FostaPEX tubing, insert into prep tool, push and turn until no resistance is felt. If using Viega PureFlow PEX, continue to Step 3.
- 3 Insert PureFlow Press fitting with attached sleeve into tubing and engage fully.
- 4 Ensure full tubing insertion at view holes in attached press sleeve. Full insertion means tubing must be completely visible in at least two view holes and partially visible in the one.

i If using hand tools continue with steps 5 to 9. If using power tools skip to steps 10 to 13.

- 5 For the 1" tool, open the tool handles fully (thumb grip is available to maintain open jaw). Then close tool jaws to engage ratchet (ensure that thumb grip is returned fully forward before closing jaws).
- 6 Position the PureFlow press tool perpendicular over the press sleeve, resting it against the tool locator ring. For 1" tool, close tool jaws to engage ratchet (ensure that thumb grip is returned fully forward before closing jaws). Make sure the PureFlow press tool is properly aligned (see step 8 if it is not).

i The tool locator ring must be in the factory-installed position while making a press to ensure a consistent leak-proof connection. It may be necessary to rotate the tool locator ring to avoid interference between the ring and tool.

- 7 Close handles, using trigger to reduce grip span if desired.
- 8 If the PureFlow press tool is not properly aligned with the locator ring, use the emergency release (using a screw driver to turn the emergency release) to open the press tool. Once released, align the PureFlow press tool properly and go back to step 6.

! WARNING!
The connection is not leak-proof when the tool has been opened by emergency release. The tool locator ring must be present to ensure a proper PureFlow Press connection.

- 9 Extend the PureFlow press tool handle and continue ratcheting until automatic tool release occurs at the proper compression force.

! CAUTION!
Do not press twice.

- 10 Insert the appropriate PureFlow press jaw into the press tool and push in the holding pin until it locks.
- 11 Open jaw and position perpendicular over press sleeve, resting it against the tool locator ring.

i The tool locator ring must be in the factory-installed position while making a press to ensure a consistent leak-proof connection. It may be necessary to rotate the tool locator ring to avoid interference between the ring and tool.

- 12 Start the pressing process; hold the trigger until the jaw has automatically released.
- 13 When press connection is complete, open and remove the jaw.

! WARNING!
The tool locator ring must be present to ensure a proper PureFlow Press connection.

! CAUTION!
Do not press twice.

4 Engineering Specifications

PureFlow System

Part 1: General

1.1 Summary

This specification covers branch and main, parallel water distribution systems (ManaBloc), cross-linked polyethylene tubing, and fittings using PureFlow press and PureFlow crimp technology for hot and cold water distribution systems. The system is assembled when the fitting barb is inserted fully into the tubing and either a stainless press sleeve or copper crimp ring is pressed/cripped over the tubing and fitting using the appropriate tool to create a leak proof permanent joint.

1.2 References

ANSI/UL 263: Fire test of building construction and materials.

Standard methods of fire endurance tests of building construction and materials.

ASTM E84: surface burning characteristics of building materials

ASTM F1807: specification for metal insert fittings utilizing a copper crimp ring for SDR9 cross-linked polyethylene (PEX) tubing

ASTM F2023: test method for evaluating the oxidative resistance of cross-linked (PEX) tubing and systems to hot chlorinated water.

ASTM F2159: specification for plastic insert fittings utilizing a copper crimp ring for SDR9 cross-linked polyethylene (PEX) tubing

ASTM F3347: Standard Specification for Metal Press Insert Fittings with Factory Assembled Stainless Steel Press Sleeve for SDR9 Cross-linked Polyethylene (PEX) Tubing

ASTM F3348: Standard Specification for Plastic Press Insert Fittings with Factory Assembled Stainless Steel Press Sleeve for SDR9 Cross-linked Polyethylene (PEX) Tubing

ASTM F876: specification for cross-linked polyethylene (PEX) tubing

ASTM F877: specification for cross-linked polyethylene (PEX) plastic hot and cold water distribution systems.

AWWA C904: cross-linked polyethylene (PEX) pressure pipe, ½ in. (12 mm) through 3 in. (76 mm), for water service.

CAN/ULC S102.2: standard method of testing for surface burning characteristics of flooring, floor covering and miscellaneous materials and assemblies.

CSA CAN/CSA B137.5: cross-linked polyethylene (PEX) tubing systems for pressure applications.

cULus - UL 1821: listing for multipurpose residential fire sprinkler systems (Viega Pureflow PEX black with PureFlow press bronze and polymer fittings in sizes ¾ to 2)

IAPMO Uniform Mechanical Code

IAPMO Uniform Plumbing Code

ICC International Mechanical Code

ICC International Plumbing Code

NAPHCC National Standard Plumbing Code

NSF 14: plastic piping component and related materials

NSF 61: drinking water system components – health effects

1.3 Quality Assurance

A. The installer shall be a qualified installer, licensed within the jurisdiction, and familiar with the installation of cross-linked polyethylene (PEX) tubing systems.

B. The installation of cross-linked polyethylene (PEX) tubing for hot and cold water distribution systems shall conform to the requirements of the ICC International Plumbing Code or IAPMO Uniform Plumbing Code.

1.4 Delivery, Storage, And Handling

- A. The cross-linked polyethylene (PEX) tubing shall be shipped to the job site on truck or in such a manner to protect the tubing. The cross-linked polyethylene fittings and manifolds shall not be handled roughly during shipment. The tubing and fittings shall be unloaded with reasonable care.
- B. Cross-linked polyethylene plastic tubing and fittings shall be stored in a flat, dry, well ventilated location, not exposed to direct sunlight. Normal care in handling shall be exercised to avoid abuse of the tubing. The tubing and fittings shall not be thrown or dropped on the ground, walked on, or dragged.

1.5 Project Conditions

- A. The location of a manifold with valves shall be accessible and in an area not subject to freezing. Proper support of the manifold shall be provided.
- B. PEX tubing should not be left exposed in direct sunlight for extended periods of time – short periods not to exceed 6 months are permissible.
- C. Plastic manifolds and fittings should not be left exposed in direct sunlight for extended periods of time — short periods not to exceed 15 days are permissible.

1.6 Warranty

- A. The tubing and fittings manufacturer shall warrant that the tubing and fittings are free from defects and conform to the designated standard. The warranty shall only be applicable to tubing and fittings installed in accordance with the manufacturer’s installation instructions.
- B. The manufacturer of the tubing and fittings shall not be responsible for improper use, handling, or installation of the products.

Part 2: Products

2.1 Manufacturer

Viega LLC
 585 Interlocken Blvd.
 Broomfield CO, 80021
 Phone: (800) 976-9819
 www.viega.us

2.2 Material

- A. Tubing Standard: Viega PureFlow PEX high-density cross-linked polyethylene tubing shall be manufactured to the requirements of ASTM F876 and meet the standard grade hydrostatic pressure ratings from Plastic Pipe Institute in accordance with TR-4/03. The following three standard grade ratings are required:
 - 200 degrees F (93 degrees C) at 80 psig (551 kPa)
 - 180 degrees F (82 degrees C) at 100 psig (689 kPa)
 - 73.4 degrees F (23 degrees C) at 160 psig (1102 kPa)
 1. Chlorine testing: According to ASTM F876 shall meet or exceed the following end use condition.
 - a. End use conditions of : 100% @ 140°F. Per PEX 5306 (CL5).
 2. UV testing: According to ASTM F876 PEX tubing products shall meet or exceed the following exposure limits.
 - a. Viega PureFlow PEX 6 months.
- B. Tubing Standard: FostaPEX high-density cross-linked polyethylene tubing shall be manufactured to the requirements of ASTM F876 and meet the standard grade hydrostatic pressure ratings from Plastic Pipe Institute in accordance with TR-4/03. The following three standard grade ratings are required:
 - 200 degrees F (93 degrees C) at 80 psig (551 kPa)
 - 180 degrees F (82 degrees C) at 100 psig (689 kPa)
 - 73.4 degrees F (23 degrees C) at 160 psig (1102 kPa)
 1. Chlorine testing: According to ASTM F876 shall meet or exceed the following end use condition.
 - a. End use conditions of : 100% @ 140°F. Per PEX 5306 (CL5).
 2. UV testing: According to ASTM F876, PEX tubing products shall meet or exceed the following exposure limits:
 - a. FostaPEX 12 months.

- C. Fitting Standard: PureFlow Press fittings shall be manufactured from UNS, C87700, C87710 Bronze or Radel R[®] polymer, meeting the requirements of ASTM F877 and ASTM F3347 (metallic) or ASTM F3348 (polymer) tested as a system with Viega PureFlow PEX tubing. The PureFlow Press sleeve shall be manufactured out of a 304 grade or better stainless steel and have three view holes (attached sleeve) to ensure proper PEX tubing insertion. The attached sleeve fitting will incorporate a tool locator ring that shall be in place while making a proper press connection. The PureFlow Press connection shall be made with a Viega supplied ratcheting PureFlow Press hand tool or PureFlow Press power tool.
- D. Fitting Standard: PureFlow Crimp fittings for use with copper crimp rings shall be manufactured from UNS C69300 or C87850 Brass / Eco Brass[®] meeting the requirements of ASTM F1807 and or PolyAlloy polymer meeting the requirements of ASTM F2159. The PureFlow Crimp connection shall be made by use of a full circle crimp tool designed to crimp F1807 copper crimp rings.
- E. Manifolds: Acceptable manifolds shall include:
 - Copper Manifolds: Shall be copper material having a male or female solder, ProPress or PureFlow Crimp inlets. All outlets shall be PureFlow Press, PureFlow Crimp or ProPress fittings. Shall be provided by the Cross-linked Polyethylene system manufacturer.
 - Polymer Manifolds: Shall be plastic material having a male NPSM thread, PureFlow Press or PureFlow Crimp inlets. All outlets shall be PureFlow Press or PureFlow Crimp connections provided by the PEX system manufacturer.
- F. Adapter Fittings: PEX adapter fittings shall conform to one of the following ASTM standards; F877, F1807, F2159, or ASME B1.20.1 and be listed to the CSA B137.5. The adapter fittings shall mate to NPT threads, copper tubing, copper fittings or ProPress fittings.

2.3 Source Quality Control

- A. The PEX tubing and fitting manufacturer shall maintain a third party listing of the tubing and fittings. The tubing and fittings shall be certified in accordance with ANSI/NSF 14/61 to verify suitability to transport potable water. The tubing and fittings shall have the mark “NSF-pw”, “cNSF[®] us pw-G”, or “NSF 61” permanently marked on the product to verify the material listing.
- B. The manufacturer of the PEX tubing and fittings shall maintain a quality control program in accordance with ISO 9001 or NSF International in the manufacturing plant to assure that the tubing and fittings are continually being produced to the required standard. The tubing and fittings shall be certified as complying with NSF 14.

Part 3: Execution

3.1 Examination

The installing contractor shall carefully examine the PEX tubing for defects, cuts, abrasions, cracks, fading color, or blemishes. There shall be no cracks or heavy deformations of the tubing. Fittings and manifolds shall be checked for any signs of abuse. Any damaged tubing or fittings shall be rejected.

3.2 Preparation

- A. Viega PureFlow PEX tubing: Cross-linked polyethylene tubing shall be cut with a PEX tubing cutter. The tubing shall be cut squarely and neatly to permit a proper connection between the tubing and fitting.
- B. FostaPEX tubing: Cross-linked polyethylene tubing shall be cut with a PEX cutter. The tubing shall be cut squarely and neatly to permit a proper connection between the tubing and fitting. The outer polyethylene and aluminum layers shall be removed with a Viega supplied prep tool leaving the inner PEX tubing to accept the PureFlow Press fitting and stainless press sleeve. The prep tool shall have an internal stop to ensure proper length of exposed inner PEX tubing.

3.3 Installation General Locations

Plans indicate general location and arrangement of PEX system. Identified locations and arrangements are used to size pipe and calculate friction and loss and other design considerations. Install PEX tubing as indicated, except where deviations to layout are approved on coordination drawings.

3.4 Installation, PEX Tubing

- A. Pressure rating: Install components having a pressure rating equal to or greater than the system operating pressure.
- B. Install PEX tubing that is free of blemishes, cuts, gouges, kinks or noticeable fading of color.
- C. Changes in direction: PEX tubing shall not exceed an eight times the tubing outside diameter (OD) free bend radius or a five times the tubing OD supported bend radius, with use of a Viega approved bend support. Install fittings for changes in direction where any minimum bend radius is exceeded and branch connections.
- D. PureFlow Press connections: PureFlow Press fittings shall be made in accordance with the manufacturer's installation instructions. The Stainless press sleeve shall be placed over the end of the squared off PureFlow PEX tubing while fully inserting the fitting barb into the tubing. Full tubing insertion shall be verified by a visual confirmation of PEX being present through the view holes before engaging a press connection. Full insertion for an attached sleeve connection means tubing must be completely visible in at least two view holes and partially visible in the final view hole. The PureFlow Press connection shall be made with a Viega supplied ratcheting PureFlow Press hand tool or PureFlow Press power tool.
- E. PureFlow Crimp connections: PureFlow Crimp fittings shall be made in accordance with the manufacturer's installation instructions. The copper crimp ring shall be placed over the end of the squared off PEX tubing then the PureFlow Crimp fitting fully inserted into the tubing. Position the crimp ring $\frac{1}{8}$ " to $\frac{1}{4}$ " from the end of the tubing before engaging a crimp connection. The PureFlow Crimp connection shall be made with a Viega supplied full circle crimp tool or equivalent.
- F. Threaded joints: Threaded joints shall have a potable water listed joint sealant tape applied to the male threads only. Tighten joint with a wrench and backup wrench as required.
- G. PEX tubing protection: Protect PEX tubing from exposure to direct and indirect sunlight exposure. PEX tubing shall be stored under cover, shielded from direct and indirect sunlight when material is stored for any length of time.
- H. Penetration protection: Provide allowance for thermal expansion and contraction of PEX tubing passing through a wall, floor, ceiling or partition by wrapping with pipe insulation, or by installing through an appropriately sized sleeve. Penetrations of fire resistance rated assemblies shall maintain the rating of the assembly.
- I. Backfill material: Back fill material must be free of large rocks, glass, or other sharp objects which can damage the PEX tubing.
- J. Horizontal support: PEX tubing must be supported every 32" horizontally with Viega approved suspension clips or plastic insulators.
- K. Vertical support: PEX tubing must be supported at each floor or ceiling penetration and every four feet in between.

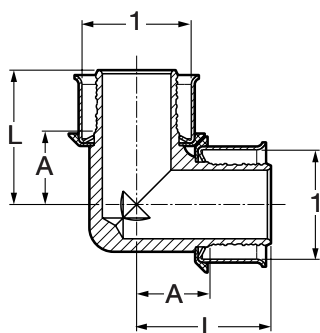
5 Dimensional Documents

PureFlow Press Fittings



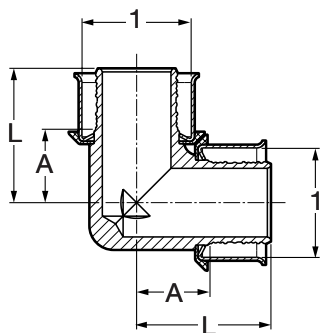
The following fittings are Zero Lead unless noted.

PureFlow Press 90° Elbow Zero Lead Bronze - Model 2816ZL



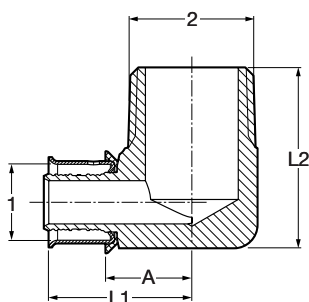
Part No.	Size (in)	A (in)	L (in)
	1 1		
93520	1/2 x 1/2	0.47	0.97
93540	3/4 x 3/4	0.59	1.09
93560	1 x 1	0.88	1.50
93570	1 1/4 x 1 1/4	0.95	1.81
93580	1 1/2 x 1 1/2	1.14	2.01
93590	2 x 2	1.33	2.38

PureFlow Press 90° Elbow Bronze - Model 2816NG



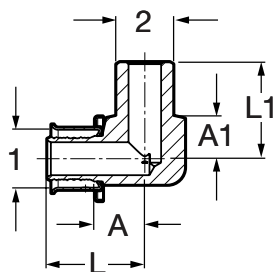
Part No.	Size (in)	A (in)	L (in)
	1 1		
93530*	5/8 x 5/8	0.59	1.09

PureFlow Press 90° Elbow Zero Lead Bronze P x MPT - Model 2814ZL



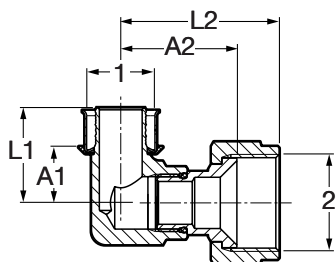
Part No.	Size (in)	A (in)	L1 (in)	L2 (in)
	1 2			
92520	1/2 x 1/2 MPT	0.64	1.13	1.06
92525	1/2 x 3/4 MPT	0.74	1.24	1.14
92540	3/4 x 3/4 MPT	0.74	1.24	1.13
92545	3/4 x 1 MPT	0.98	1.48	1.61
92560	1 x 1 MPT	0.98	1.60	1.61
92565	3/4 x 1 1/4 MPT	1.32	1.81	1.67
92570	1 x 1 1/4 MPT	1.31	1.93	1.67
92757	1 1/4 x 1 1/4 MPT	1.32	2.19	1.67
92580	1 1/2 x 1 1/2 MPT	1.34	2.21	1.73
92590	2 x 2 MPT	1.65	2.70	2.07

PureFlow Press 90° Elbow Zero Lead Bronze P x FTG - Model 2814.6ZL, 2814.7ZL



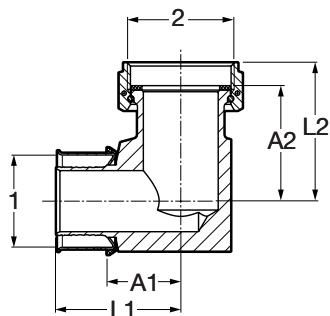
Part No.	Size (in)	A (in)	A1 (in)	L (in)	L1 (in)
	1 2				
99310	1/2 x 1/2	0.58	0.47	1.07	1.06
99307	1/2 x 3/4	0.70	0.42	1.20	1.23
99311	3/4 x 3/4	0.70	0.42	1.20	1.23

PureFlow Press 90° Elbow Zero Lead Bronze P x Flare - Model 2896ZL



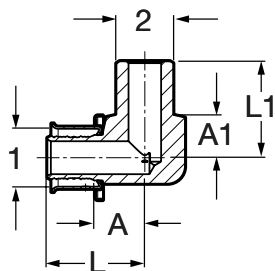
Part No.	Size (in)	A (in)	A1 (in)	L (in)	L1 (in)
	1 2				
97150	3/4 x 3/4	0.74	1.52	1.24	2.07
97155	1 x 1	0.96	1.76	1.57	2.39

PureFlow Press 90° Tailpiece Zero Lead Bronze P x F BSP - Model 2897ZL



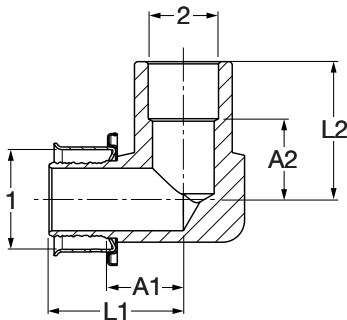
Part No.	Size (in)	A1 (in)	A2 (in)	L1 (in)	L2 (in)
	1 2				
96170	1 1/2 x 1 1/2	1.34	2.05	2.21	2.45
96172	2 x 2	1.65	2.15	2.70	2.70

PureFlow Press 90° Elbow Zero Lead Bronze P x FTG - Model 2814.5NG



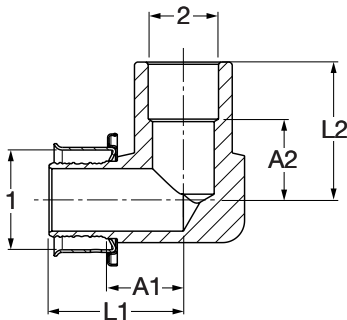
Part No.	Size (in)	A (in)	A1 (in)	L (in)	L1 (in)
	1 2				
99310	1/2 x 1/2	0.58	0.47	1.07	1.06
99307	1/2 x 3/4	0.70	0.42	1.20	1.23
99311	3/4 x 3/4	0.70	0.42	1.20	1.23

PureFlow Press 90° Elbow Zero Lead Bronze P x Copper - Model 2814.7ZL, 2814.5ZL



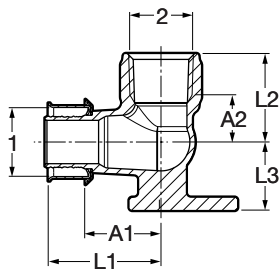
Part No.	Size (in)	A1 (in)	A2 (in)	L1 (in)	L2 (in)
	1 2				
99307	1/2 x 1/2	0.71	0.72	1.20	1.23
99308	1/2 x 3/4	0.68	0.47	1.18	1.22
99311	3/4 x 1/2	0.71	0.72	1.20	1.23
99309	3/4 x 3/4	0.68	0.47	1.18	1.22

PureFlow Press 90° Elbow Bronze P x Copper - Model 2814.5NG



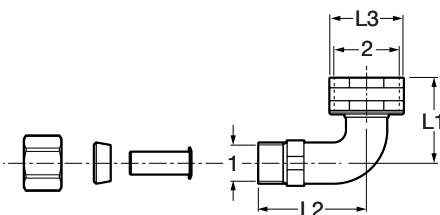
Part No.	Size (in)	A1 (in)	A2 (in)	L1 (in)	L2 (in)
	1 2				
89313	5/8 x 1/2	0.68	0.72	1.18	1.23
89312	5/8 x 3/4	0.68	0.48	1.18	1.23

PureFlow Press 90° Elbow Adapter Bronze P x Copper - Model 2825.4ZL

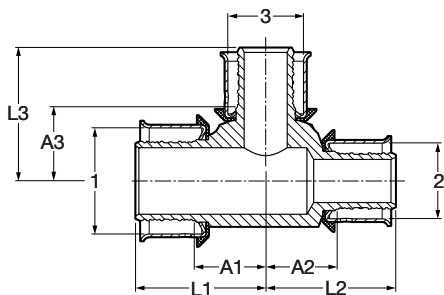


Part No.	Size (in)	A1 (in)	A2 (in)	L1 (in)	L2 (in)	L3 (in)
	1 2					
94646	1/2 x 3/4	1.00	0.61	1.50	1.14	0.88

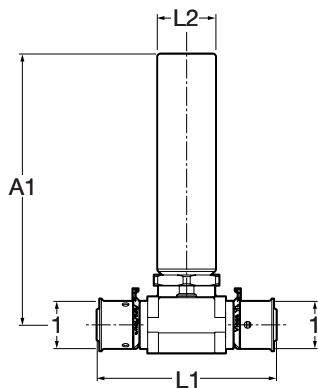
PureFlow Compression 90° Elbow Zero Lead Copper CTS x Hose - Model V5053



Part No.	Size (in)	L1 (in)	L2 (in)	L3 (in)
	1 2			
46743	3/8 CTS (1/2 O.D.) comp x 3/4 Hose	1.32	1.67	1.14

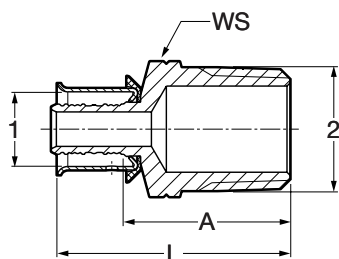
PureFlow Press Tee Zero Lead Bronze P x P x P - Model 2818ZL


Part No.	Size (in)			A1 (in)	A2 (in)	A3 (in)	L1 (in)	L2 (in)	L3 (in)
	1	2	3						
94020	1/2	1/2	1/2	0.47	0.47	0.47	0.97	0.97	0.97
94022	1/2	1/2	3/4	0.62	0.62	0.59	1.12	1.12	1.09
94040	3/4	3/4	3/4	0.59	0.59	0.59	1.09	1.09	1.09
94032	3/4	1/2	1/2	0.59	0.59	0.62	1.09	1.09	1.12
94034	3/4	1/2	3/4	0.59	0.62	0.59	1.09	1.12	1.09
94036	3/4	3/4	1/2	0.59	0.59	0.62	1.09	1.09	1.12
94060	1	1	1	0.88	0.88	0.88	1.50	1.50	1.50
94037	1	1/2	1/2	0.58	0.59	0.82	1.20	1.08	1.32
94039	1	1/2	1	0.76	0.74	0.76	1.38	1.24	1.38
94038	1	3/4	1/2	0.58	0.59	0.82	1.20	1.08	1.32
94052	1	3/4	3/4	0.80	0.76	0.84	1.40	1.26	1.34
94053	1	3/4	1	0.76	0.71	0.76	1.38	1.20	1.38
94050	1	1	1/2	0.68	0.68	0.84	1.30	1.30	1.34
94056	1	1	3/4	0.80	0.80	0.84	1.42	1.42	1.34
94070	1 1/4	1 1/4	1 1/4	1.00	1.00	1.00	1.87	1.87	1.87
94071	1 1/4	1	3/4	0.73	0.74	0.98	1.59	1.36	1.48
94073	1 1/4	1	1	0.81	0.82	0.99	1.67	1.44	1.61
94072	1 1/4	1 1/4	3/4	0.79	0.73	0.99	1.59	1.59	1.48
94074	1 1/4	1 1/4	1	0.81	0.81	0.99	1.67	1.67	1.61
94080	1 1/2	1 1/2	1 1/2	1.14	1.14	1.14	2.01	2.01	2.01
94081	1 1/2	1	3/4	0.73	0.66	1.13	1.59	1.28	1.62
94082	1 1/2	1	1	0.85	0.86	1.13	1.71	1.48	1.75
94083	1 1/2	1 1/2	3/4	0.73	0.73	1.13	1.59	1.59	1.62
94084	1 1/2	1 1/2	1	0.85	0.85	1.19	1.71	1.71	1.81
94085	1 1/2	1 1/2	1 1/4	0.98	0.98	1.14	1.85	1.85	2.00
94090	2	2	2	1.33	1.33	1.33	2.38	2.38	2.38
94091	2	1 1/2	1	1.34	1.36	1.35	2.38	2.22	1.97
94092	2	1 1/2	1 1/4	1.34	1.36	1.40	2.38	2.22	2.26

PureFlow Press Tee Arrestor Zero Lead Brass P x P - Model 2894ZL


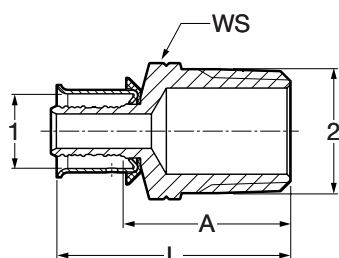
Part No.	Size (in)		A1 (in)	L1 (in)	L2 (in)
	1	1			
97114	1/2	1/2	3.90	2.59	0.84

PureFlow Press Adapter Zero Lead Bronze P x MPT - Model 2811ZL



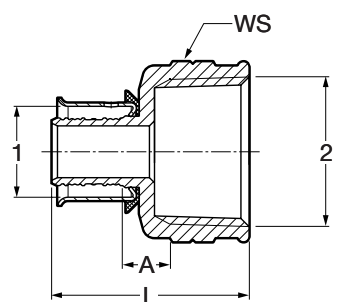
Part No.	Size (in)	A (in)	L (in)	WS (in)
	1 2			
90506	3/8 x 1/2 MPT	1.14	1.63	0.87
90521	1/2 x 1/2 MPT	1.10	1.59	0.87
90526	1/2 x 3/4 MPT	1.15	1.64	1.06
90542	3/4 x 1/2 MPT	1.10	1.59	0.87
90541	3/4 x 3/4 MPT	1.15	1.64	1.06
90546	3/4 x 1 MPT	1.41	1.91	1.34
90562	3/4 x 1 1/4 MPT	1.65	2.10	1.73
90556	1 x 3/4 MPT	1.18	1.80	1.06
90561	1 x 1 MPT	1.41	2.03	1.34
90566	1 x 1 1/4 MPT	1.60	2.22	1.73
90571	1 1/4 x 1 1/4 MPT	1.63	2.50	1.73
90581	1 1/2 x 1 1/2 MPT	1.79	2.66	1.97
90591	2 x 2 MPT	2.08	3.13	2.44

PureFlow Press Adapter Bronze P x MPT - Model 2811NG



Part No.	Size (in)	A (in)	L (in)	WS (in)
	1 2			
80527	5/8 x 1/2 MPT	1.10	1.59	0.87
80531	5/8 x 3/4 MPT	1.15	1.64	1.06

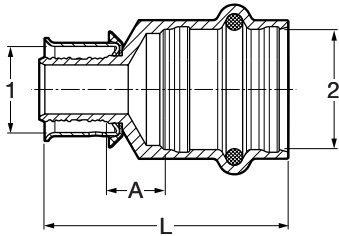
PureFlow Press Adapter Zero Lead Bronze P x FPT - Model 2812ZL



Part No.	Size (in)	A (in)	L (in)	WS (in)
	1 2			
91520	1/2 x 1/2 FPT	0.35	1.38	0.98
91525	1/2 x 3/4 FPT	0.37	1.42	1.20
91541*	3/4 x 1/2 FPT	0.31	1.34	0.98
91540	3/4 x 3/4 FPT	0.37	1.42	1.20
91545	1 x 3/4 FPT	0.40	1.58	1.20
91560	1 x 1 FPT	0.41	1.69	1.48
91570	1 1/4 x 1 1/4 FPT	0.58	2.13	1.85
91580	1 1/2 x 1 1/2 FPT	0.60	2.15	2.09
91590	2 x 2 FPT	0.62	2.36	2.60

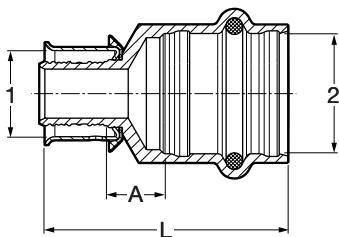
*UL1821 listed for use in NFPA 13D systems

PureFlow Press Adapter Smart Connect technology Zero Lead Bronze P x P - Model 2813PZL



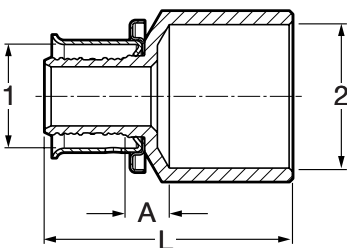
Part No.	Size (in)	A (in)	L (in)
	1 2		
99620	1/2 x 1/2	0.29	1.61
99626	1/2 x 3/4	0.43	1.83
99630	3/4 x 1/2	0.23	1.56
99640	3/4 x 3/4	0.33	1.73
99645	1 x 3/4	0.35	1.87
99660	1 x 1	0.45	1.97
99665	1 1/4 x 1	0.49	2.26
99670	1 1/4 x 1 1/4	0.49	2.38
99675	1 1/2 x 1	0.59	2.36
99680	1 1/2 x 1 1/2	0.59	2.87
99685	2 x 1	0.73	2.68
99690	2 x 2	0.55	2.99

PureFlow Press Adapter Smart Connect technology Bronze P x P - Model 2813PNG



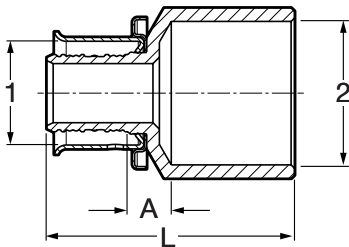
Part No.	Size (in)	A (in)	L (in)
	1 2		
69627	5/8 x 1/2	0.23	1.56
69628	5/8 x 3/4	0.33	1.73

PureFlow Press Adapter Zero Lead Bronze P x Copper - Model 2813.5ZL



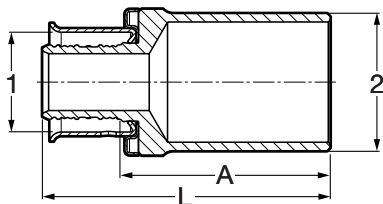
Part No.	Size (in)	A (in)	L (in)
	1 2		
92006	3/8 x 1/2	0.29	1.28
92021	1/2 x 1/2	0.23	1.24
92026	1/2 x 3/4	0.27	1.52
92036	3/4 x 1/2	0.20	1.18
92041	3/4 x 3/4	0.27	1.52
92045	3/4 x 1	0.37	1.77
92060	1 x 1	0.34	1.89
92070	1 1/4 x 1 1/4	0.43	2.28
92080	1 1/2 x 1 1/2	0.45	2.44
92090	2 x 2	0.43	2.60

PureFlow Press Adapter Bronze P x Copper - Model 2813.5NG



Part No.	Size (in)	A (in)	L (in)
	1 2		
82027	5/8 x 1/2	0.25	1.24
82031	5/8 x 3/4	0.27	1.52

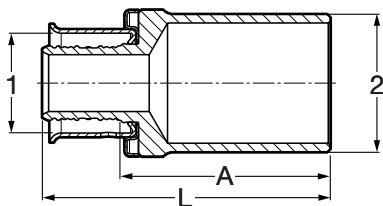
PureFlow Press Adapter Zero Lead Bronze P x FTG - Model 2813.1ZL



Part No.	Size (in)	A (in)	L (in)
	1 2		
97520	1/2 x 1/2	1.26	1.77
97525	1/2 x 3/4	1.34	1.83
97535	3/4 x 1/2	1.33	1.83
97540	3/4 x 3/4	1.45	1.95
97545	3/4 x 1	1.45	1.95
97560	1 x 1	1.51	2.13
97570	1 1/4 x 1 1/4	1.83	2.72
97580	1 1/2 x 1 1/2	2.21	3.07
97590*	2 x 2	2.36	3.41

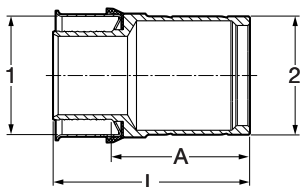
*For use with solder fittings only.

PureFlow Press Adapter Bronze P x FTG - Model 2813.1NG



Part No.	Size (in)	A (in)	L (in)
	1 2		
97530	5/8 x 1/2	1.28	1.77
97531	5/8 x 3/4	1.39	1.89

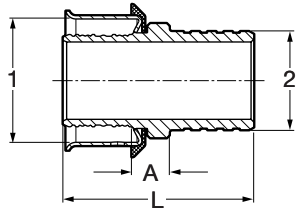
PureFlow Press Adapter Zero Lead Bronze P x FTG - Model 2813.3ZL



Part No.	Size (in)	A (in)	L (in)
	1 2		
97690*	2 x 2	2.50	3.54

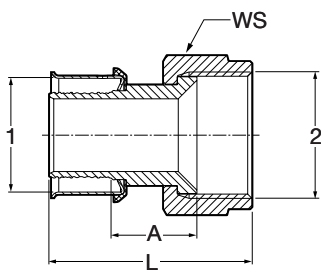
*For use with ProPress fittings only.

PureFlow Press Adapter Zero Lead Bronze P x PB - Model 2813.2ZL



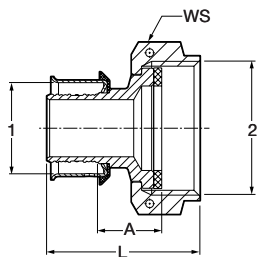
Part No.	Size (in)		A (in)	L (in)
	1	2		
97820	1/2	1/2	0.28	1.38
97840	3/4	3/4	0.28	1.38

PureFlow Press Adapter Zero Lead Bronze P x Flare - Model 2892ZL



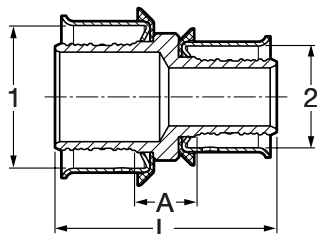
Part No.	Size (in)		A (in)	L (in)	WS (in)
	1	2			
97140	3/4	3/4 Flare	0.67	1.71	1.50
97160	1	3/4 Flare	0.86	2.03	1.50
97165	1	1 Flare	0.65	1.89	1.80

PureFlow Press Tailpiece Zero Lead Bronze P x F BSP - Model 2893ZL



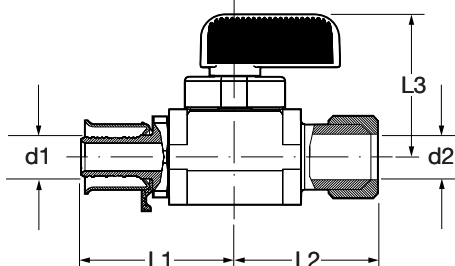
Part No.	Size (in)		A (in)	L (in)	WS (in)
	1	2			
96140	3/4	1	0.63	1.50	1.46
96160	1	1	0.84	1.83	1.46
96165	1	1 1/4	0.78	1.80	1.81

PureFlow Press Coupling Zero Lead Bronze P x P - Model 2815ZL



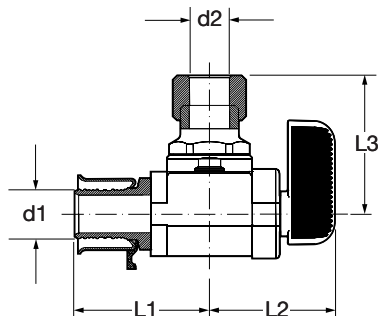
Part No.	Size (in)		A (in)	L (in)
	1	2		
93001	5/16	5/16	0.40	1.38
93000	3/8	3/8	0.40	1.38
93005	1/2	3/8	0.40	1.38
93020	1/2	1/2	0.40	1.38
93050	1/2	3/4	0.40	1.38
93030	5/8	5/8	0.40	1.38
93040	3/4	3/4	0.40	1.38
93055	3/4	1	0.46	1.58
93071	3/4	1 1/4	0.51	1.87
93072	3/4	1 1/2	0.51	1.87
93060	1	1	0.46	1.69
93065	1	1 1/4	0.54	2.03
93073	1	1 1/2	0.54	2.03
93070	1 1/4	1 1/4	0.67	2.40
93075	1 1/4	1 1/2	0.59	2.32
93080	1 1/2	1 1/2	0.67	2.40
93090	2	2	0.66	2.76
93091	2	1 1/2	0.69	2.60

PureFlow Press Stop Valve Straight Zero Lead Chrome Plated Brass P x CTS 1/4 Turn - Model 2842.3ZL

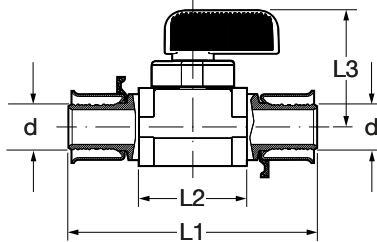


Part No.	Size (in)		L1 (in)	L2 (in)	L3 (in)
	d1	d2			
94023	3/8 x 1/4 CTS (3/8 OD)	Comp	2.53	1.20	1.20
94031	1/2 x 1/4 CTS (3/8 OD)	Comp	2.51	1.20	1.20

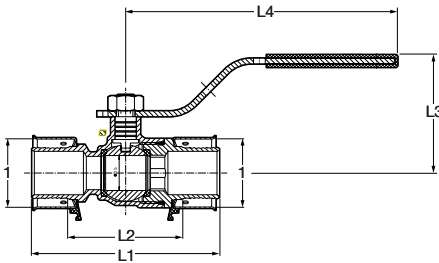
PureFlow Press Stop Valve Angled Zero Lead Chrome Plated Brass P x CTS 1/4 Turn - Model 2842.4ZL



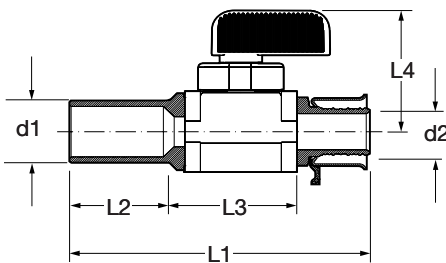
Part No.	Size (in)		L1 (in)	L2 (in)	L3 (in)
	d1	d2			
93515	3/8 x 1/4 CTS (3/8 OD)	Comp	2.51	1.03	1.20
93511	1/2 x 1/4 CTS (3/8 OD)	Comp	2.51	1.03	1.20

PureFlow Press Ball Valve Zero Lead Brass P x P - Model 2842.2ZL


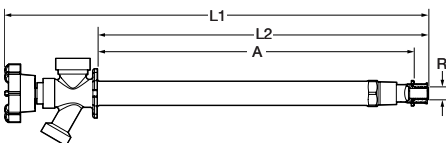
Part No.	Size (in) d	L1 (in)	L2 (in)	L3 (in)
94500	3/8	2.62	1.20	1.20
94521	1/2	2.59	1.20	1.20
94541	3/4	2.72	1.30	1.30

PureFlow Press Ball Valve Zero Lead Brass P x P - Model 2870ZL


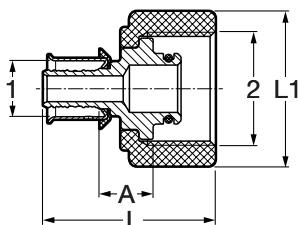
Part No.	Size (in) d	L1 (in)	L2 (in)	L3 (in)	L4 (in)
98200	1	3.15	1.89	1.99	4.57
98201	1 1/4	3.60	1.75	2.10	4.57
98202	1 1/2	3.88	2.15	2.47	5.77
98203	2	4.57	2.44	2.69	5.77

ProPress Valve Zero Lead Brass P x FTG - Model 2842.1ZL


Part No.	Size (in) d1 d2	L1 (in)	L2 (in)	L3 (in)	L4 (in)
95002	1/2 x 1/2 FTG	3.01	1.20	1.10	1.20

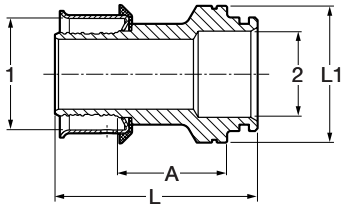
PureFlow Press Wall Hydrant Zero Lead Chrome Plated Brass - Model 2888.0ZL


Part No.	R (in)	A (in)	L1 (in)	L2 (in)
97120	1/2	11.7	15.6	12.2
97121	3/4	11.8	15.7	12.3

PureFlow Press Port Adapter Zero Lead Bronze P x ManaBloc Port - Model 2877.3ZL


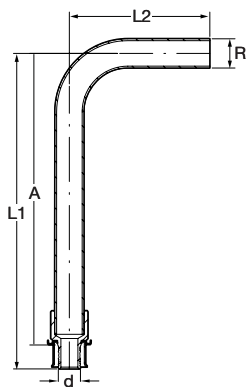
Part No.	Size (in) 1 2	A (in)	L (in)	L1 (in)
96101	3/8 x 1/2 Port	0.51	1.58	1.42
96120	1/2 x 1/2 Port	0.51	1.58	1.42

PureFlow Press Supply Adapter Zero Lead Bronze P x ManaBloc Supply - Model 2877.8ZL



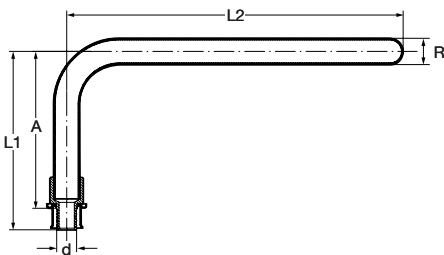
Part No.	Size (in)	A (in)	L (in)	L1 (in)
	1 2			
96141	3/4 x 1 ManaBloc	0.87	1.79	1.43
96161	1 x 1 ManaBloc	0.77	1.80	1.43

PureFlow Press Tub 90° Elbow Zero Lead Brazed Copper - Model 2820.0ZL



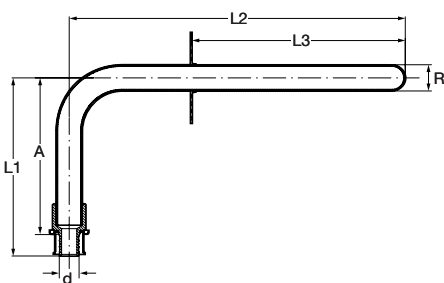
Part No.	Size (in)	A (in)	L1 (in)	L2 (in)
	d R			
92221	1/2 x 1/2 Copper	6.22	6.74	3.00

PureFlow Press 90° Stub-out Brazed Copper P x FTG - Model 2820.1ZL



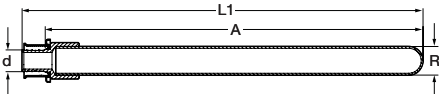
Part No.	Size (in)	A (in)	L1 (in)	L2 (in)
	d R			
92406	3/8 x 1/2 Copper	3.76	4.28	8.00
92421	1/2 x 1/2 Copper	3.72	4.24	8.00
92441	3/4 x 3/4 Copper	4.77	4.24	8.00

PureFlow Press 90° Stub-out Brazed Copper P x FTG - Model 2820.4ZL



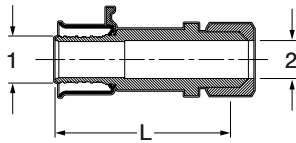
Part No.	Size (in)	A (in)	L1 (in)	L2 (in)	L3 (in)
	d R				
92305	3/8 x 1/2 Copper	3.76	4.28	8.00	6.00
92321	1/2 x 1/2 Copper	3.72	4.24	8.00	6.00

PureFlow Press Stub-out Brazed Copper P x FTG - Model 2820.2ZL

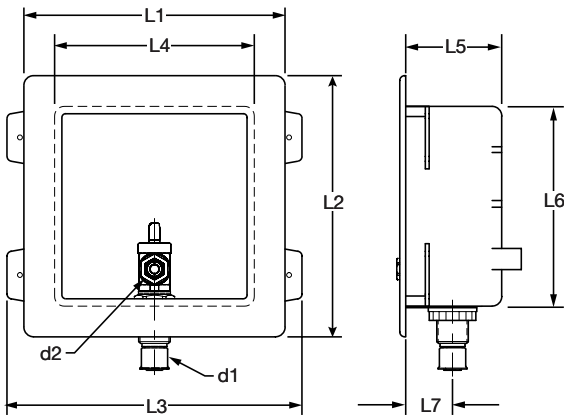


Part No.	Size (in) d R	A (in)	L1 (in)
92609	1/2 x 1/2 Copper	8.00	8.74
92616	1/2 x 1/2 Copper	15.00	15.74

PureFlow Press Adapter Zero Lead Bronze P x CTS - Model 2895ZL

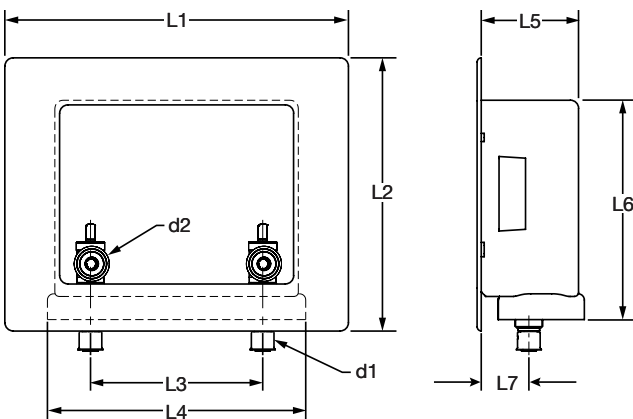


Part No.	Size (in) 1 2	L (in)
97112	3/8 x 1/4 CTS (3/8 OD)	1.77
97113	1/2 x 1/4 CTS (3/8 OD)	1.77

PureFlow Press Outlet box Zero Lead for Washing Machine, Ice Maker - Model 2872.0ZL, 2872.7ZL


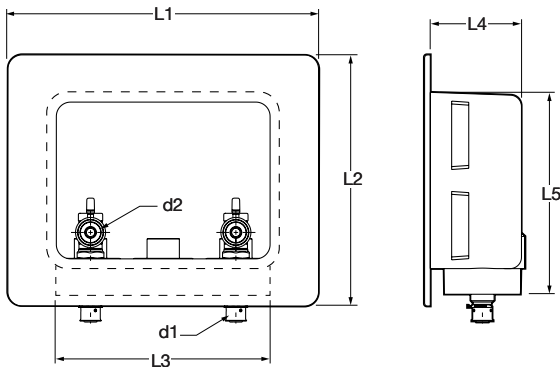
Part No.	Size (in)		Face Plate		Box Dimensions				
	d1	d2	L1 (in)	L2 (in)	L3 (in)	L4 (in)	L5 (in)	L6 (in)	L7 (in)
98000	1/2 PEX x 1/4 O.D.		6.80	6.80	7.68	5.20	2.50	5.20	1.22
97220*	1/2 PEX x 1/4 O.D.		6.80	6.80	7.68	5.20	2.50	5.20	1.22

* with hammer arrestor

PureFlow Press Outlet Box Zero Lead for Washing Machine, Ice Maker - Model 2872.1US, 2872.6ZL


Part No.	Size (in)		Face Plate		Box Dimensions				
	d1	d2	L1 (in)	L2 (in)	L3 (in)	L4 (in)	L5 (in)	L6 (in)	L7 (in)
97001	1/2 PEX x 3/4 O.D.		10.40	8.30	5.20	7.40	2.90	6.60	1.43
97212*	1/2 PEX x 3/4 O.D.		10.40	8.30	5.20	7.40	2.90	6.60	1.43

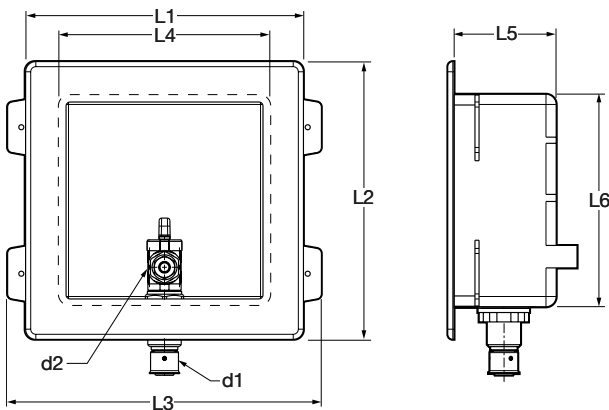
PureFlow Press Fire-Rated Outlet box Zero Lead for Washing Machine, Ice Maker - Model 2872.2, 2872.6



Part No.	Size (in)		Face Plate				
	d1	d2	L1 (in)	L2 (in)	L3 (in)	L4 (in)	L5 (in)
97006	1/2 PEX x 1/4 O.D.		10.90	8.80	8.20	3.40	7.10
97008*	1/2 PEX x 1/4 O.D.		10.90	8.80	8.20	3.40	7.10

* with hammer arrestor

PureFlow Press Fire-Rated Outlet Box Zero Lead for Washing Machine, Ice Maker - Model 2872.5, 2872.3



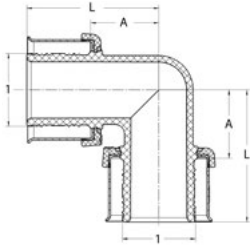
Part No.	Size (in)		Face Plate			Box Dimensions		
	d1	d2	L1 (in)	L2 (in)	L3 (in)	L4 (in)	L5 (in)	L6 (in)
98001	1/2 PEX x 3/4 O.D.		5.25	7.29	6.90	3.90	2.83	5.69
97007*	1/2 PEX x 3/4 O.D.		5.25	7.29	6.90	3.90	2.83	5.69

* with hammer arrestor

Dimensional Documents

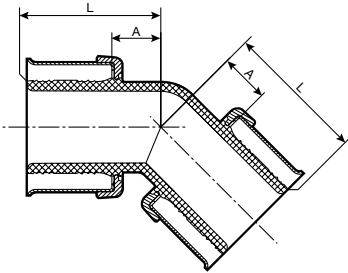
PureFlow Press Polymer Fittings

PureFlow Press 90° Elbow Polymer - Model V5616

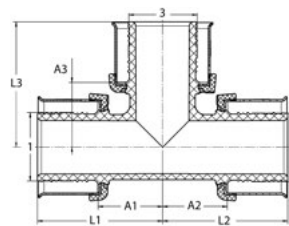


Part No.	Size (in)	A (in)	L (in)
	1		
49210	3/8	0.51	1.11
49220	1/2	0.51	1.11
49240	3/4	0.68	1.27
49260	1	0.77	1.52
49270	1 1/4	0.98	2.08
49280	1 1/2	1.09	2.19
49290	2	1.65	2.72

PureFlow Press 45° Elbow Polymer - Model V5626

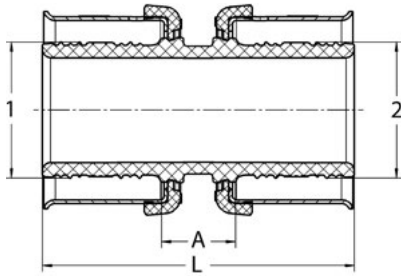


Part No.	Size (in)	A (in)	L (in)
	1		
49285	1 1/2	0.66	1.75
49286	2	0.96	2.03

PureFlow Press Tee Polymer - Model V5618


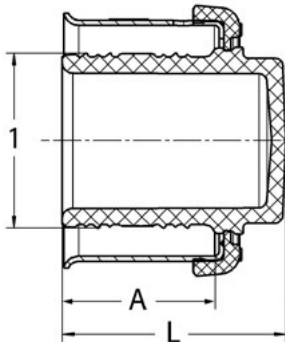
Part No.	Size (in)			A1 (in)	A2 (in)	A3 (in)	L1 (in)	L2 (in)	L3 (in)
	1	2	3						
49200	3/8	3/8	3/8	0.51	0.51	0.51	1.11	1.11	1.11
49322	1/2	3/8	3/8	0.49	0.44	0.54	1.09	1.04	1.13
49332	1/2	1/2	3/8	0.49	0.49	0.54	1.09	1.09	1.13
49520	1/2	1/2	1/2	0.51	0.51	0.51	1.11	1.11	1.11
49334	1/2	1/2	3/4	0.67	0.67	0.60	1.26	1.26	1.19
49433	3/4	1/2	1/2	0.59	0.49	0.69	1.18	1.09	1.28
49443	3/4	3/4	1/2	0.59	0.59	0.69	1.18	1.18	1.28
49434	3/4	1/2	3/4	0.71	0.71	0.71	1.30	1.30	1.30
49540	3/4	3/4	3/4	0.71	0.71	0.71	1.30	1.30	1.30
49533	1	1/2	1/2	0.59	0.49	0.74	1.34	1.09	1.34
49543	1	3/4	1/2	0.60	0.59	0.74	1.35	1.18	1.34
49544	1	3/4	3/4	0.71	0.65	0.85	1.47	1.25	1.44
49535	1	1/2	1	0.81	0.79	0.81	1.56	1.36	1.56
49545	1	3/4	1	0.84	0.77	0.84	1.59	1.37	1.59
49553	1	1	1/2	0.58	0.58	0.74	1.34	1.34	1.34
49554	1	1	3/4	0.71	0.71	0.84	1.47	1.47	1.44
49560	1	1	1	0.71	0.71	0.71	1.47	1.47	1.47
49754	1 1/4	1	3/4	0.73	0.67	0.93	1.82	1.42	1.53
49755	1 1/4	1	1	0.84	0.78	0.91	1.94	1.53	1.66
49774	1 1/4	1 1/4	3/4	0.73	0.73	0.93	1.82	1.82	1.53
49775	1 1/4	1 1/4	1	0.84	0.84	0.91	1.94	1.94	1.66
49570	1 1/4	1 1/4	1 1/4	0.98	0.98	0.98	2.07	2.07	2.07
49854	1 1/2	1	3/4	0.72	0.79	1.03	1.82	1.54	1.63
49855	1 1/2	1	1	0.85	0.91	1.03	1.94	1.67	1.78
49874	1 1/2	1 1/4	3/4	0.77	0.77	1.04	1.82	1.82	1.63
49875	1 1/2	1 1/4	1	0.90	0.90	1.06	1.94	1.94	1.79
49877	1 1/2	1 1/4	1 1/4	1.02	1.02	1.11	2.06	2.06	2.16
49883	1 1/2	1 1/2	1/2	0.72	0.72	1.03	1.81	1.81	1.60
49884	1 1/2	1 1/2	3/4	0.72	0.72	1.03	1.82	1.82	1.60
49885	1 1/2	1 1/2	1	0.85	0.85	1.04	1.94	1.94	1.78
49887	1 1/2	1 1/2	1 1/4	0.97	0.97	1.07	2.06	2.06	2.15
49580	1 1/2	1 1/2	1 1/2	1.09	1.09	1.09	2.18	2.18	2.18
49984	2	1 1/2	3/4	1.07	1.10	1.42	2.14	2.15	1.99
49985	2	1 1/2	1	1.07	1.10	1.41	2.14	2.15	2.15
49987	2	1 1/2	1 1/4	1.25	1.10	1.50	2.33	2.15	2.50
49988	2	1 1/2	1 1/2	1.25	1.21	1.46	2.33	2.26	2.50
49993	2	2	1/2	0.98	0.98	1.46	2.06	2.06	2.05
49994	2	2	3/4	0.98	0.98	1.50	2.06	2.06	2.05
49995	2	2	1	1.10	1.10	1.53	2.17	2.17	2.26
49997	2	2	1 1/4	1.25	1.25	1.50	2.33	2.33	2.54
49998	2	2	1 1/2	1.37	1.37	1.46	2.45	2.45	2.50
49590	2	2	2	1.65	1.65	1.65	2.72	2.72	2.72

PureFlow Press Coupling Polymer - Model V5615



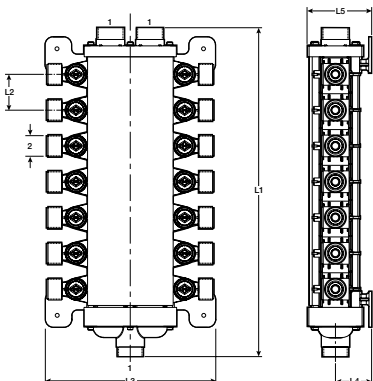
Part No.	Size (in)	A (in)	L (in)
	1 2		
49402	3/8 x 3/8	0.47	1.66
49342	1/2 x 3/8	0.42	1.61
49403	1/2 x 1/2	0.47	1.66
49404	3/4 x 3/4	0.47	1.66
49343	3/4 x 1/2	0.43	1.62
49354	1 x 3/4	0.47	1.82
49405	1 x 1	0.47	1.98
49347	1 1/4 x 3/4	0.65	2.34
49357	1 1/4 x 1	0.48	2.33
49407	1 1/4 x 1 1/4	0.51	2.69
49348	1 1/2 x 3/4	0.69	2.37
49358	1 1/2 x 1	0.62	2.47
49378	1 1/2 x 1 1/4	0.50	2.69
49408	1 1/2 x 1 1/2	0.51	2.69
49398	2 x 1 1/2	1.05	3.16
49409	2 x 2	1.02	3.16

PureFlow Press Test Plug Polymer - Model V5656

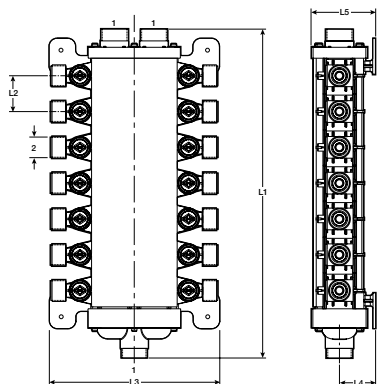


Part No.	Size (in)	A (in)	L (in)
	1		
49722	3/8	0.60	0.95
49723	1/2	0.60	0.95
49744	3/4	0.60	0.95
49765	1	0.75	1.10
49770	1 1/4	1.10	1.46
49780	1 1/2	1.10	1.46
49790	2	1.07	1.93

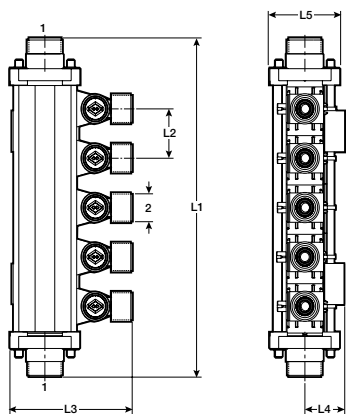
ManaBloc Distribution Manifold Press - Model V5630



Part No.	Size (in)	Ports	L1 (in)	L2 (in)	L3 (in)	L4 (in)	L5 (in)
	1 2						
49142	1 x 5/8 NPSM	12	15.44	1.68	8.00	1.70	3.00
49143	1 x 5/8 NPSM	14	15.44	1.68	8.00	1.70	3.00
49183	1 x 5/8 NPSM	18	18.80	1.68	8.00	1.70	3.00
49243	1 x 5/8 NPSM	24	23.78	1.68	8.00	1.70	3.00
49303	1 x 5/8 NPSM	30	28.88	1.68	8.00	1.70	3.00
49363	1 x 5/8 NPSM	36	33.92	1.68	8.00	1.70	3.00

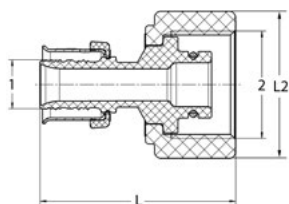
ManaBloc Distribution Manifold Press - Model V5640


Part No.	Size (in)		Ports	L1 (in)	L2 (in)	L3 (in)	L4 (in)	L5 (in)
	1	2						
49186	1 x 5/8	NPSM	18	18.80	1.68	8	1.7	3
49246	1 x 5/8	NPSM	24	23.84	1.68	8	1.7	3
49306	1 x 5/8	NPSM	30	28.88	1.68	8	1.7	3
49366	1 x 5/8	NPSM	36	33.92	1.68	8	1.7	3

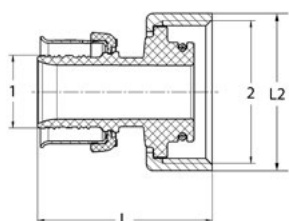
MiniBloc Zoning Manifold Press - Models V5650, V5660


Part No.	Size (in)		Ports	L1 (in)	L2 (in)	L3 (in)	L4 (in)	L5 (in)
	1	2						
49033	1 x 5/8	NPSM	3	8.19	1.68	4.37	1.42	4.75
49043	1 x 5/8	NPSM	4	9.87	1.68	4.37	1.42	4.75
49453*	1 x 5/8	NPSM	5	11.55	1.68	4.37	1.42	4.75
49063	1 x 5/8	NPSM	6	13.23	1.68	4.37	1.42	4.75
49473*	1 x 5/8	NPSM	7	14.91	1.68	4.37	1.42	4.75
49083	1 x 5/8	NPSM	8	16.59	1.68	4.37	1.42	4.75
49410*	1 x 5/8	NPSM	10	19.95	1.68	4.37	1.42	4.75

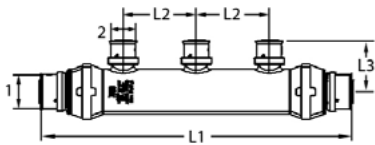
*Manifold incorporates hot and cold ports.

PureFlow Press Port Adapter Polymer P x Port - Model V5613.1


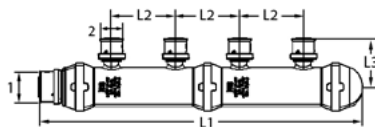
Part No.	Size (in)		L (in)	L2 (in)
	1	2		
49234	1/2	x 1/2 Port	1.89	1.40
49224	3/8	x 1/2 Port	1.89	1.40

PureFlow Press Supply Adapter Polymer for ManaBloc P x Supply - Model V5613.2


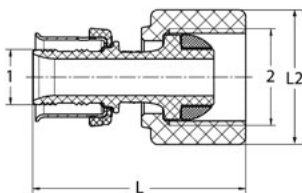
Part No.	Size (in)		L (in)	L2 (in)
	1	2		
49414	3/4	x 1 ManaBloc	1.59	1.45
49416	1	x 1 ManaBloc	1.75	1.45
49418	1 1/4	x 1 ManaBloc	2.42	1.45

PureFlow Press Manifold Polymer Flow Through - Model V5636


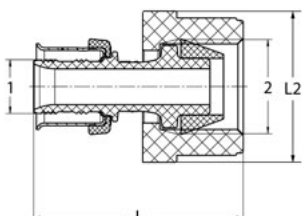
Part No	Size (in)		Outlets	L1 (in)	L2 (in)	L3 (in)
	1	2				
49152	3/4	1/2	2	6.58	2.00	1.42
49153	3/4	1/2	3	8.58	2.00	1.42
49054	3/4	1/2	4	10.58	2.00	1.42
49254	1	3/4 x 1/2	4	10.72	2.00	1.42
49256	1	1/2	6	14.85	2.00	1.42
49258	1	1/2	8	18.85	2.00	1.42

PureFlow Press Manifold Polymer Closed - Model V5636.1


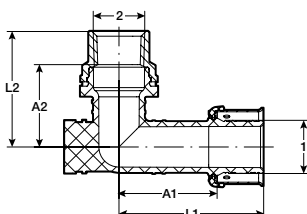
Part No	Size (in)		Outlets	L1 (in)	L2 (in)	L3 (in)
	1	2				
49004	3/4	1/2	4	10.14	2.00	1.42
49206	1	1/2	6	14.27	2.00	1.42
49208	1	1/2	8	18.28	2.00	1.42

PureFlow Press Lav Adapter Polymer P x Lav - Model V5613.3


Part No.	Size (in)		L (in)	L2 (in)
	1	2		
49324	3/8	1/2 Lav	1.82	1.15
49333	1/2	1/2 Lav	1.82	1.15
49344	3/4	3/4 Lav	1.78	1.15

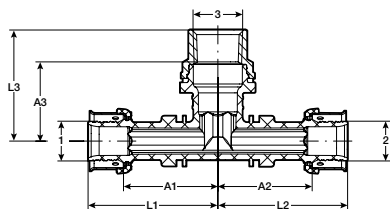
PureFlow Press Closet Adapter Polymer P x Closet - Model V5613.4


Part No.	Size (in)		L (in)	L2 (in)
	1	2		
49223	3/8	1/2 Closet	1.84	1.3
49233	1/2	1/2 Closet	1.84	1.3

PureFlow Press 90° Elbow Polymer for Fire Sprinkler Systems P x FPT - Model V5645ZL


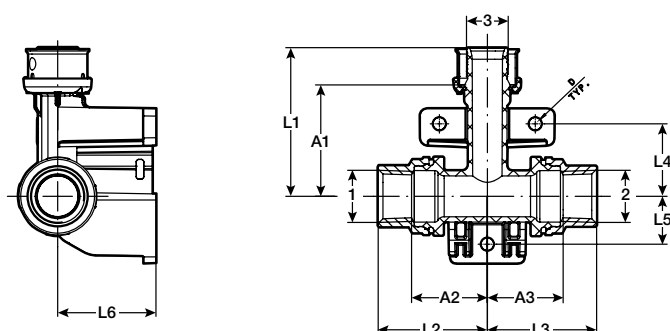
Part No.	Size (in)		A1 (in)	A2 (in)	L1 (in)	L2 (in)
	1	2				
49135	3/4	1/2 FPT	1.59	1.33	2.19	1.87
49145	1	1/2 FPT	1.59	1.33	2.34	1.87

PureFlow Press Tee Polymer for Fire Sprinkler Systems P x P x FPT - Model V5642ZL



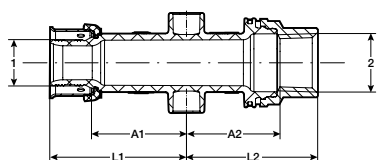
Part No.	Size (in)			A1 (in)	A2 (in)	A3 (in)	L1 (in)	L2 (in)	L3 (in)
	1	2	3						
49120	3/4	3/4	1/2	1.59	1.59	1.33	2.19	2.19	1.87
49130	1	3/4	1/2	1.59	1.59	1.33	2.34	2.19	1.87
49140	1	1	1/2	1.59	1.59	1.33	2.34	2.34	1.87

PureFlow Press Wall Tee Polymer for Fire Sprinkler Systems FPT x FPT x P - Model V5641ZL



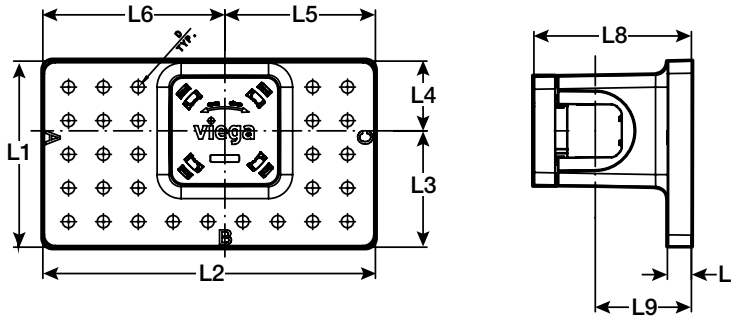
Part No.	Size (in)			A1 (in)	A2 (in)	A3 (in)	L1 (in)	L2 (in)	L3 (in)	L4 (in)	L5 (in)	L6 (in)	D (in)		
	1	2	3												
49100	1/2	FPT	1/2	FPT	3/4	1.79	1.21	1.21	2.38	1.75	1.75	1.16	0.77	1.57	0.20
49110	1/2	FPT	1/2	FPT	1	1.79	1.21	1.21	2.54	1.75	1.75	1.16	0.77	1.57	0.20

PureFlow Press Adapter Polymer for Fire Sprinkler Systems P x FPT - Model V5644ZL



Part No.	Size (in)		A1 (in)	A2 (in)	L1 (in)	L2 (in)
	d	d				
49132	3/4	1/2	1.35	1.33	1.95	1.87
49144	1	1/2	1.44	1.33	2.19	1.87

PureFlow Press Replacement Bracket, Plastic, for Fire Sprinkler Systems - Model V5643ZL



Part No.	L1 (in)	L2 (in)	L3 (in)	L4 (in)	L5 (in)	L6(in)	L7(in)	L9 (in)	L9(in)	D (in)
49150	3.05	5.44	1.91	1.14	2.46	2.98	0.39	2.58	1.57	0.20

6 Warranty

PureFlow Water System

Subject to the conditions and limitations in this Limited Warranty, VIEGA LLC (Viega) warrants to the owner of applicable real property in the United States (including its territories) and Canada that the components in its PureFlow Plumbing System (as described below) when properly installed by licensed plumbers in potable water systems, under normal conditions of use, shall be free from failure caused by manufacturing defects for a period of twenty-five (25) years from date of installation.

The Viega PureFlow Plumbing System and components covered by this twenty-five (25) year warranty are:

Viega PureFlow cross-linked polyethylene (PEX) tubing or PureFlow FostaPEX® tubing installed with PureFlow Press fittings in metal or polymer and PureFlow Press sleeves sold by Viega installed as a system.

Viega PureFlow cross-linked polyethylene (PEX) tubing and ASTM F1807 metal crimp insert fittings sold by Viega and ASTM F2159 PolyAlloy crimp fittings sold by Viega installed with copper crimp rings as a system.

Viega warrants that ManaBloc®, MiniBloc or polymer or metallic manifolds, and their approved connections, sold by Viega and installed as a manifold plumbing system under normal conditions of use, shall be free from failure caused by manufacturing defects for a period of ten (10) years from date of installation.

Power tools and jaws used with PureFlow Press fittings are warranted by the manufacturer and Viega extends no separate warranty on those tools or jaws. Viega warrants that PureFlow Press hand tools sold by Viega, under normal conditions of use, shall be free from failure caused by manufacturing defects for a period of two (2) years from date of sale. Viega warrants that PureFlow Crimp hand tools and tubing cutters sold by Viega, under normal conditions of use, shall be free from failure caused by manufacturing defects for a period of twelve (12) months from date of sale.

Viega warrants that properly installed PureFlow valves, PureFlow lav and closet risers and riser accessories manufactured and/or sold by Viega shall be free from failure caused by manufacturing defects for a period of two (2) years from date of installation.

Viega does not extend any warranty on its components used in systems with tubing, fittings, manifolds, or press sleeves not sold by Viega or installed by other than a licensed plumber. In addition, the warranty does not apply if distribution lines and their connections to manifold plumbing systems sold by Viega are not Viega Pureflow PEX or PureFlow FostaPEX tubing or approved connections sold by Viega.

Connection to non-Viega plumbing products intended for riser and/or water service applications does not void the system warranty provided all pipe, fittings, valves and manifolds are sold by Viega after the transition location.

Termination connections to non-Viega end-use devices or equipment such as filtration, water softeners, shower valves, faucets, stops and other such devices, when utilizing Viega PureFlow PEX and PureFlow FostaPEX does not void the system warranty as described.

Under this limited warranty, you only have a right to reimbursement if the failure or leak or resulting damage resulted from a manufacturing defect in the products covered by this warranty and the failure or leak or resulting damage occurred during the warranty period. You do not have a remedy or right of reimbursement under this warranty and the warranty does not apply if the failure or leak or resulting damage is

caused by (1) components in the plumbing system other than those manufactured or sold by Viega; (2) not designing, installing, inspecting, testing, or operating the system in accordance with Viega's installation instructions at the time of the installation, applicable code requirements and good plumbing practices; (3) improper handling and protection of the product prior to and during installation, exposure to ultra violet light, inadequate freeze protection, exposure to water pressures or temperatures in excess of the limitations on the tubing or application of unauthorized or harmful solvents or chemicals; (4) chemically corrosive or aggressive water conditions; or (5) acts of nature such as earthquakes, fire, flood or lightning.

In the event of a failure or leak in the system, it is the responsibility of the property owner to obtain and pay for repairs. Only if the warranty applies will Viega be responsible for reimbursement under this warranty. The part or parts which you claim failed should be kept and Viega contacted at the address below or by telephoning 800-976-9819 within thirty (30) days after the failure or leak and identifying yourself as having a warranty claim. You should be prepared to ship, at your expense, the product which you claim failed due to a manufacturing defect, document the date of installation, and the amount of any claimed bills for which you seek reimbursement. Within a reasonable time after receiving the product, Viega will investigate the reasons for the failure, which includes the right to inspect the product at Viega and reasonable access to the site of damage in order to determine whether the warranty applies. Viega will notify you of the results of this review.

In the event that Viega determines that the failure or leak and any resulting damages were the result of a manufacturing defect in the products covered by the 10-year or 25-year limited warranties and occurred during the first ten (10) years covered by this warranty, Viega will reimburse the property owner for reasonable repair or replacement charges to include drywall, flooring and painting costs, as well as damages to personal property, resulting from the failure or leak. The remaining 15-year limited warranty for products covered by the 25-year limited warranty will cover material costs for pipe and fittings only, sold by Viega, not inclusive of any labor or installation costs. Any change in property ownership after the first ten years will nullify any remaining warranty coverage.

VIEGA SHALL NOT BE LIABLE FOR CONSEQUENTIAL ECONOMIC LOSS DAMAGES UNDER ANY LEGAL THEORY AND WHETHER ASSERTED BY DIRECT ACTION, FOR CONTRIBUTION OR INDEMNITY OR OTHERWISE.

THE ABOVE LIMITED WARRANTY IS IN LIEU OF ALL OTHER WARRANTIES, EXPRESS OR IMPLIED, INCLUDING BUT NOT LIMITED TO, THE IMPLIED WARRANTIES OF MERCHANTABILITY AND FITNESS FOR A PARTICULAR PURPOSE. IF FOUND APPLICABLE, ANY IMPLIED WARRANTIES ARE LIMITED TO THE DURATION OF THE TIME LIMITS SET OUT IN THIS WRITTEN WARRANTY. Other than this limited warranty, Viega does not authorize any person or firm to create for it any other obligation or liability in connection with its products. This written warranty applies for the first 10 years of the applicable warranty regardless of any change of ownership in the property.

Some states do not allow the exclusion or limitation of incidental or consequential damages or limitations on the duration of implied warranties in certain types of transactions, so the above exclusion or limitations may not apply to you. This limited warranty gives you specific legal rights and you also may have other rights which vary from state to state. This warranty shall be interpreted and applied under the law of the state in which the product is installed.

V Viega LLC
585 Interlocken Blvd.
Broomfield, CO 80021

Phone (800) 976-9819
www.viega.us

SM-PF 0520 PureFlow Press Fittings

