

## Viega® 0-10VDC Actuator for Mixing Station and Diverting Valve

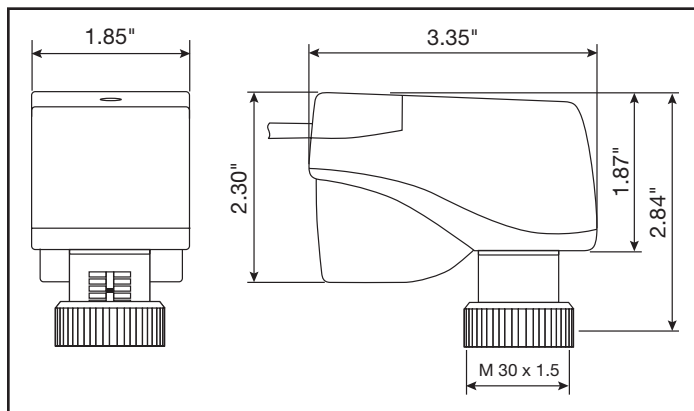
The Viega 0-10VDC actuator is an electronic actuator which is used to provide control over mixing stations and diverting valves. A 24 volt signal powers the unit open and closed while controlled by a 0-10VDC signal, usually from a central DDC building management system or thermostat. This actuator will not work with Viega controls such as the basic heating control, basic snow melt control, digital setpoint control, the advanced snow melt control or the hydronic mixing block.

### Features

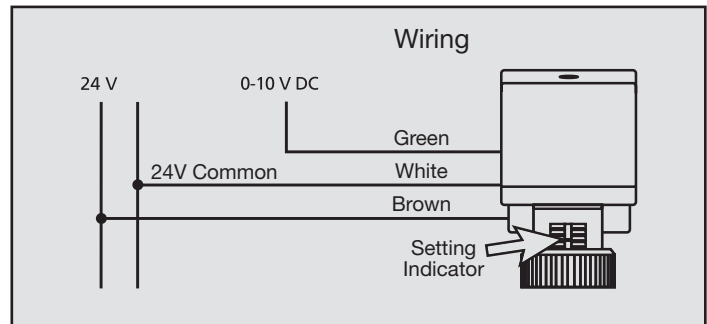
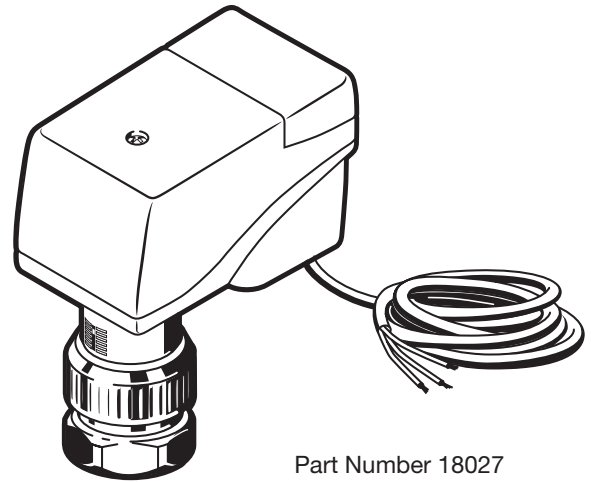
- Small size allows for installation where space is limited
- Maintenance free
- No tools required for mounting
- Adjustable between linear or equal percentage valve control
- Silent operation
- Low power consumption
- Exercise function, the actuator will be opened every 24 hours during periods of inactivity
- Actuator can be installed in any position, including upside down
- Compatible with heating and/or cooling systems

### Technical Data

Power Supply . . . . .	24VAC
Power Consumption . . . . .	2.5 VA
Drive . . . . .	0-10VDC
Connecting Cable Length . . . . .	56"
Stroke . . . . .	4 mm
Actuating force . . . . .	30 lbs
Running time . . . . .	60 seconds fully closed to fully open
Ambient Temperature . . . . .	32°F to 122°F
Fluid Temperature . . . . .	32°F to 212°F



This document subject to updates. For the most current Viega technical literature please visit [www.viega.us](http://www.viega.us).  
Click Services -> Click Electronic Literature Downloads -> Select Product Line -> Select Desired Document



### Manual override function

The actuator can be operated manually by inserting a 4mm allen key into the hex port on top of the actuator. Turning the allen key clockwise will raise the pin, while turning the allen key counterclockwise will lower the actuator pin. The stroke of the actuator is visible through the setting indicator. (Make sure power is turned off to the actuator while using manually.)

### LED Display

The green LED display is visible only with the rear cover removed.

- On . . . . . Power supply available, motor off
- Flashing . . . . . Actuator motor adjusting stroke
- Off . . . . . No power