

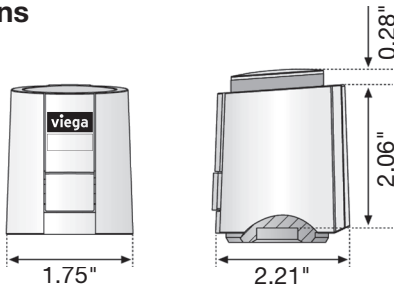
# Product Instructions

**viega**

## Powerhead for Stainless Manifold (24V 4-wire)



### Dimensions



### Applications

Powerhead part number 15069 is a 4-wire two position actuator which mounts on the return valve of the stainless manifold. A 24 VAC signal actuates the head to open the valve. The position of the valve is normally closed. Upon opening the valve, the integral SPST contacts close.

The powerhead may be used on both 1 1/4" stainless shut off/balancing and stainless shut off/ balancing/flow meter manifolds.

Typical applications include circulator control when used with Viega zone control 18060 or 18062, boiler heat call (T-T) or control of auxiliary devices requiring end-switch contact closure.

### Features

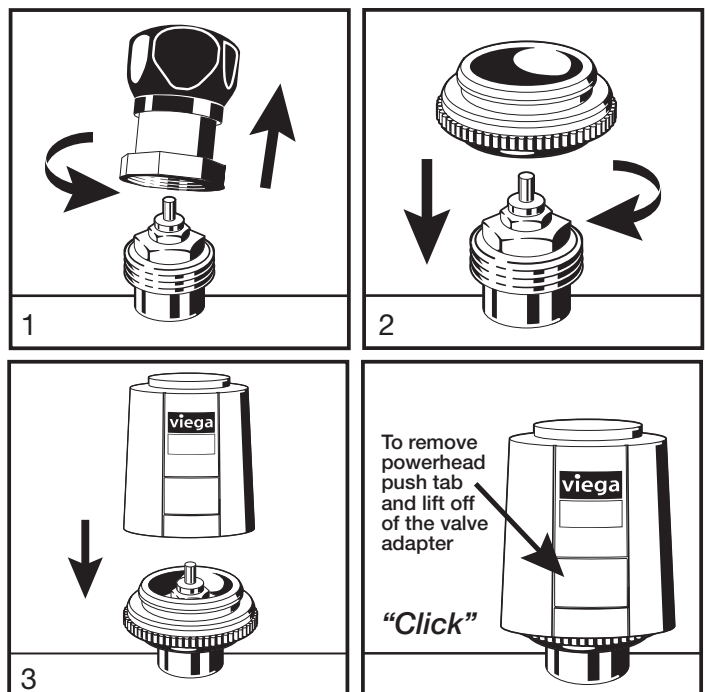
- Integrated micro switch with floating contact
- Light gray in color, Viega logo on front
- Normally closed valve position
- Water resistant
- All around function indicator
- 360° installation position
- Snap-on installation
- Valve adapter concept
- Initially-Open function
- May be installed in any position

### Specifications

- Voltage: 24VAC
- Max Inrush Current: 300 mA for 2 minutes maximum
- Operating Power: 1W
- Closing/Opening Time: Approximately 3 minutes
- Stroke: 4 mm
- Actuating Force: 21lbs.
- Weight: 5.29 oz.
- Fluid Temperature: 32°F - 212°F
- End Switch: Normally Open
- Micro Switch: 24VAC/0.5A
- Switching Point: 2mm
- Cable Length: 3.28'

### Installation

1. Remove the blue plastic cap from the return valve on the stainless manifold.
2. Thread the valve adapter on hand-tight. Do not use wrench or pliers.
3. Once the valve adapter is screwed on, simply snap the powerhead on to the valve adapter. No tools required.



# Product Instructions



## ON/OFF Indicator

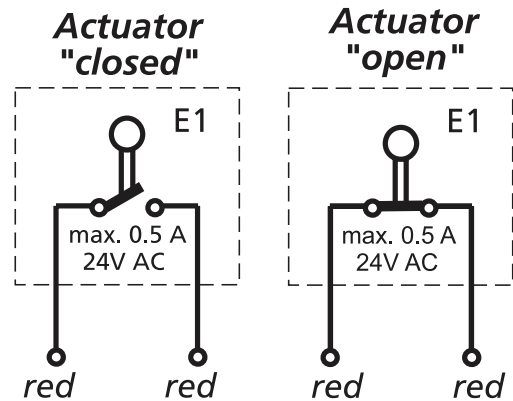
The powerhead has a cylinder on the top that will raise and expose blue when the valve is open. You will be unable to see any blue when the valve is in its normal closed position.

## Initially-Open Function

The powerhead is delivered in the open position. This allows for easier installations and also allows for the installer to pressure and flow test each circuit before connecting the power.

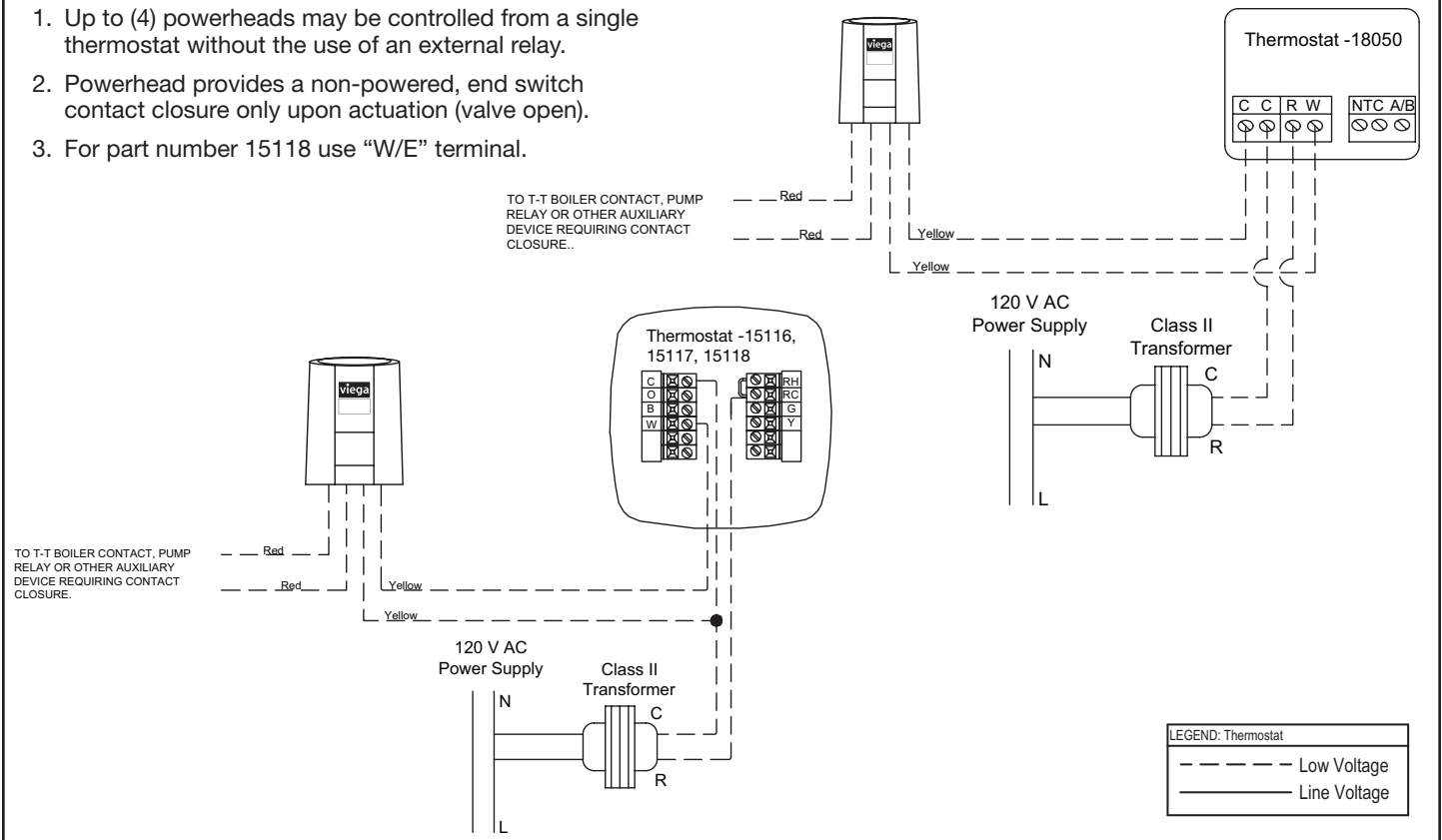
This function is disengaged automatically after the first 6 minutes of powered use.

## End Switch State



## Wiring Schematic – Thermostat with Powerheads

1. Up to (4) powerheads may be controlled from a single thermostat without the use of an external relay.
2. Powerhead provides a non-powered, end switch contact closure only upon actuation (valve open).
3. For part number 15118 use “W/E” terminal.

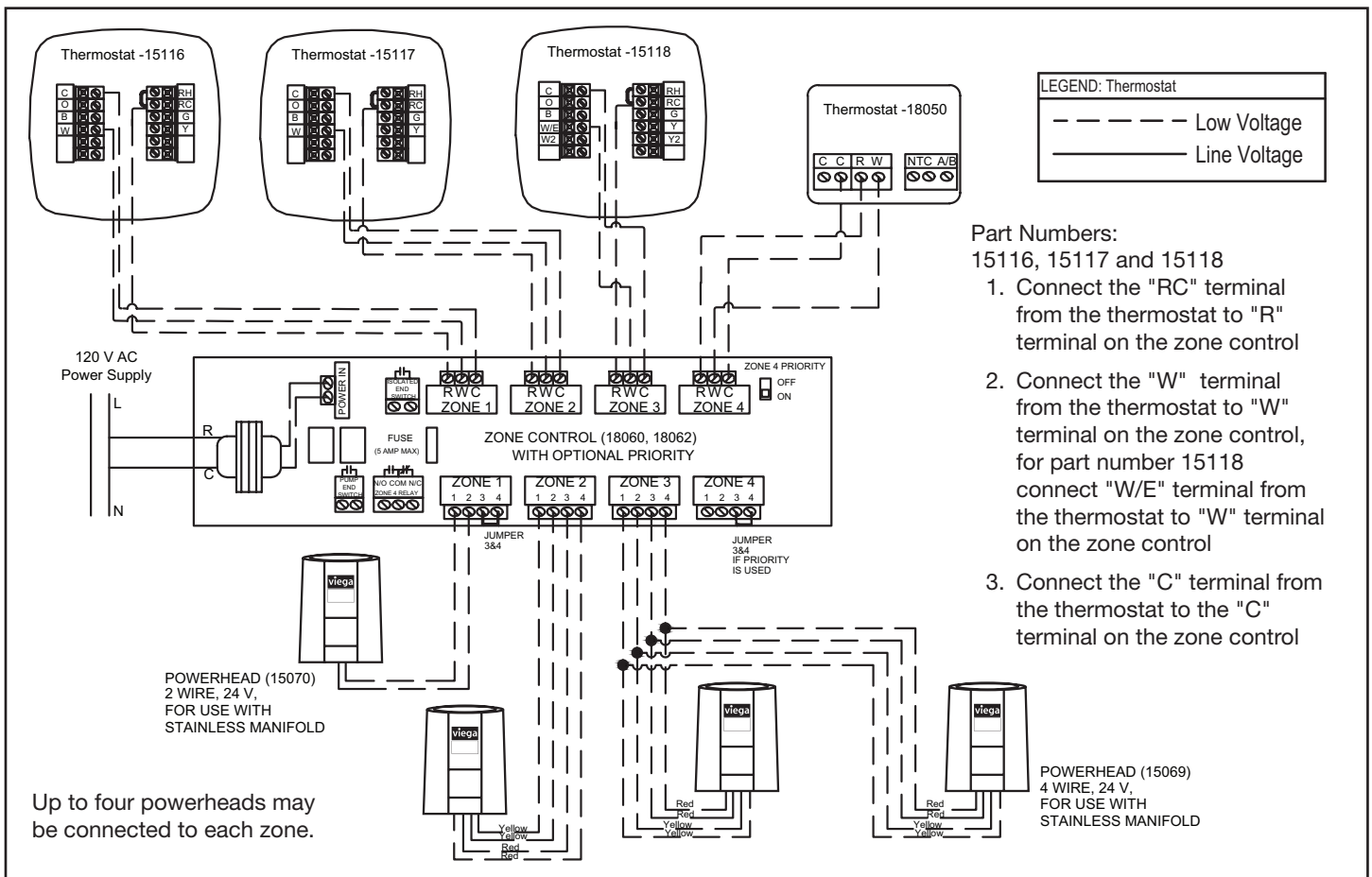


# Product Instructions



## Wiring Schematic – Thermostat and Powerheads with Zone Control

1. Factory jumper between 3 and 4 must be removed for use with 4-wire powerhead.
2. Install powerheads on system return manifold.
3. Up to four powerheads may be connected to each zone.
4. Part number 18060 may be used for up to eight powerheads per zone control box. Part number 18062 may be used for up to 16 powerheads per zone control box.
5. Refer to the zone control and thermostat product instruction for further details.



**NOTE:** Installation by a licensed electrician is recommended. Installation and use of this equipment should be in accordance with provisions of the U.S. national electric code, applicable local code and pertinent industry standards.

This document subject to updates. For the most current Viega technical literature please visit [www.viega.us](http://www.viega.us). Click Services -> Click Electronic Literature Downloads -> Select Product Line -> Select Desired Document

Para ver las instrucciones en español visite [www.viega.us](http://www.viega.us) -> Services -> Electronic Literature Downloads -> French and Spanish Documents -> Documento Deseado

Pour obtenir des instructions en français visite [www.viega.us](http://www.viega.us) -> Services -> Electronic Literature Downloads -> French and Spanish Documents -> Document Désiré

**Viega LLC, 100 N. Broadway, 6<sup>th</sup> Floor • Wichita, KS 67202 • Ph: 800-976-9819 • Fax: 316-425-7618**