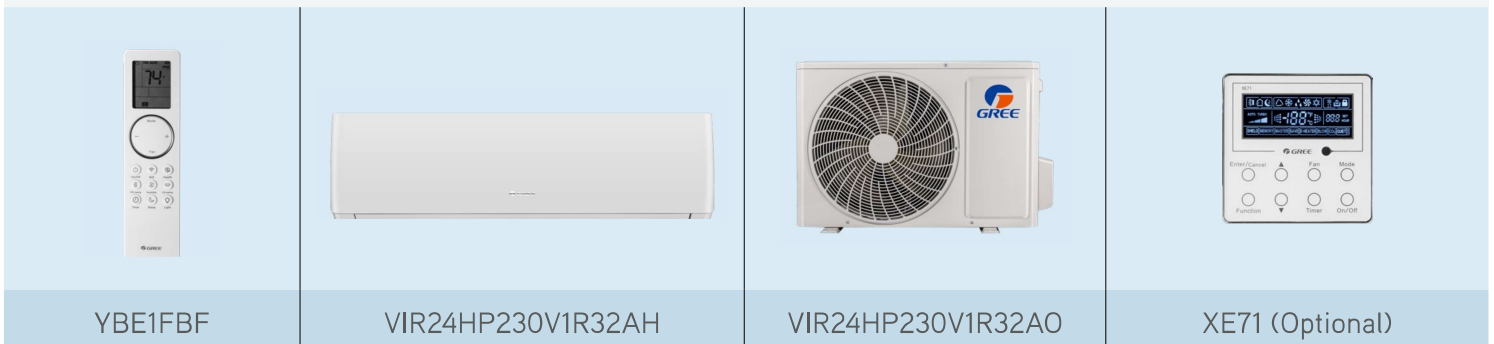


SUBMITTAL DATA

VIR24HP230V1R32AH / VIR24HP230V1R32AO
24000 BTU/H Wall Mounted Heat Pump System

Job Name <input type="text"/>	Location <input type="text"/>	Date <input type="text"/>
Purchaser <input type="text"/>	Engineer <input type="text"/>	
Submitted to <input type="text"/>	For <input type="text"/>	
Unit Designation <input type="text"/>	Schedule No. <input type="text"/>	



GENERAL FEATURES

- AHRI Certificate: [215218912](#)
- High Efficiency DC Inverter Technology
- Compact and Quiet Design
- Auto-Clean Function on Indoor Unit
- Wireless Remote with LCD Display
- Wired Controller Options
- New R32 Refrigerant
- Composite Drain Pan
- Wi-Fi Included (Factory Installed)
- Low Ambient Cooling down to -20°F (Range -20°F to 122°F)
- Low Ambient Heating down to -22°F (Range -22°F to 86°F)
- Coil (Indoor and Outdoor) Copper Tube / Aluminum Fin
- Blue Colored Fin - 500 Hrs Salt Spray Tested

SPECIFICATIONS, FEATURES & FUNCTION SUMMARY

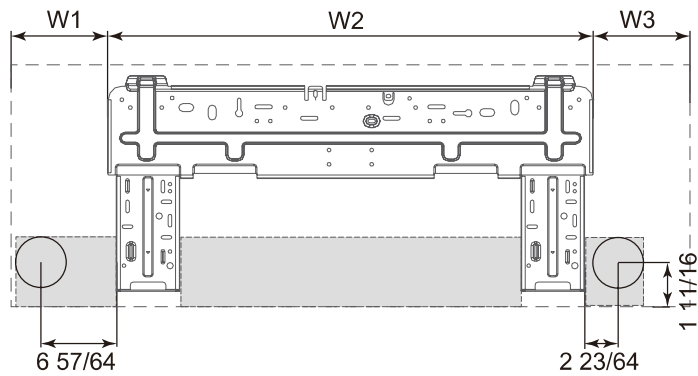
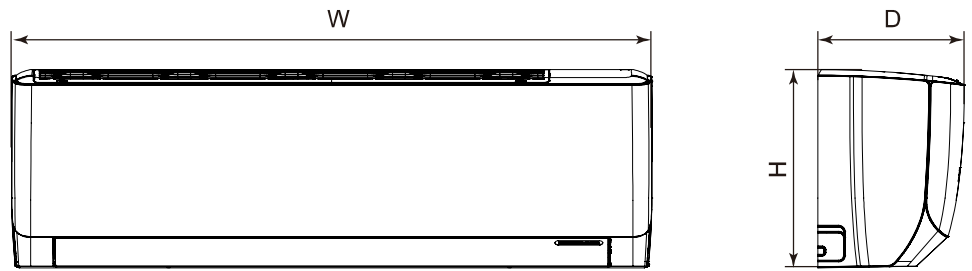
SYSTEM TYPE			HEAT PUMP		FEATURES & FUNCTIONS SUMMARY	
Outdoor Model			VIR24HP230V1R32AO		Inverter Type	
Indoor Model			VIR24HP230V1R32AH		Ultra Low Frequency Torque Control	
SYSTEM PERFORMANCE					Power Factor Correction	
Cooling Capacity	Min - Max	Btu/h	3,340 - 28,660		Basepan With Electric Heater	
	Rated Capacity @95°F	Btu/h	22,000		Indoor & Outdoor Fin Coating (Blue Fin)	
Heating Capacity	Min - Max	Btu/h	3,300 - 31,390		Intelligent Defrosting	
	Rated Capacity @47°F	Btu/h	24,000		Intelligent Preheating	
	Rated Capacity @17°F	Btu/h	20,000		Low Voltage Startup	
	Rated Capacity @5°F	Btu/h	16,000		Memory/Power Failure Recovery	
SEER2			26.0		Self Diagnosis	
EER2			13.65		Wired Controller Interface	
HSPF2			10.0		WiFi Included	
COP @5°F			1.8		NEW! Easy Service Access	
Cooling Temperature Range		°F	-20 - 122		Indoor Fan Type	
Heating Temperature Range		°F	-22 - 86		Multi Fan Speeds	
Refrigerant Type			R32		Indoor Unit Display	
INDOOR UNIT			VIR24HP230V1R32AH		Auxiliary Electrical Heater	
Air flow (Min - Max)		CFM	383 - 736		Ventilation (Outdoor Air)	
Sound Pressure Level (Min - Max)		dB(A)	34 - 52		REMOTE CONTROLLER FUNCTIONS	
Dehumidification		pt/hr	4.23		NEW! Auto Clean	
External Dimensions (W x H x D)		in	42-21/64 x 13-7/64 x 9-11/16		Auto Mode	
Package Dimension (W x H x D)		in	44-39/64 x 16-19/64 x 13-7/64		Auto Fan	
Net Weight		lbs	35.3		Auto Swing (Horizontal Auto Swing)	
Gross Weight		lbs	41.9		Auto Swing - 180° (Vertical Auto Swing)	
OUTDOOR UNIT			VIR24HP230V1R32AO		Clock	
Compressor Type		GREE G20 / SINGLE CYLINDER / 1 - STAGE INVERTER		Dry Mode		
Sound Pressure Level		dB(A)	58		Dry Anti-Mildew (X-Fan) Mode	
External Dimensions (W x H x D)		in	37-23/32 x 25-63/64 x 15-53/64		Energy Saving Mode	
Package Dimension (W x H x D)		in	40-5/8 x 29-1/64 x 17-61/64		Dirty Filter Alert	
Net Weight		lbs	92.6		Fan Speed Control	
Gross Weight		lbs	102.5		I Feel Function	
REFRIGERANT PIPING					Privacy Lock	
Refrigerant Charge - R32		oz	42.3		Quiet Mode	
Additional Charge		oz/ft	0.4		Room Temperature Display	
Line Set Size (Liquid - Gas) - Flared Connections		in	1/4 - 5/8		Sleep Mode	
Pre-Charge Length		ft	25		3 Sleep Mode Options	
Pipe Length (Min - Max)		ft	10 - 131		Timer Mode	
Max. Pipe Elevation		ft	82		Turbo Mode	
ELECTRICAL					Display On/Off Control	
Power Supply		208-230V / 1Ph / 60Hz (Powered by the Outdoor Unit)		Freeze Guard Mode		
Voltage Range (Min - Max)		VAC	187 - 253		Power Failure Mode	
Rated Current - Cooling		A	13		Humidity Control	
Rated Current - Heating		A	15.5			
MOCP		A	30			
MCA		A	22			
Main Power Wire Size		AWG	Per Local Code			
Interconnecting Wire Size		AWG	14 / 4			

DIMENSIONS

INDOOR UNIT

Unit: inch

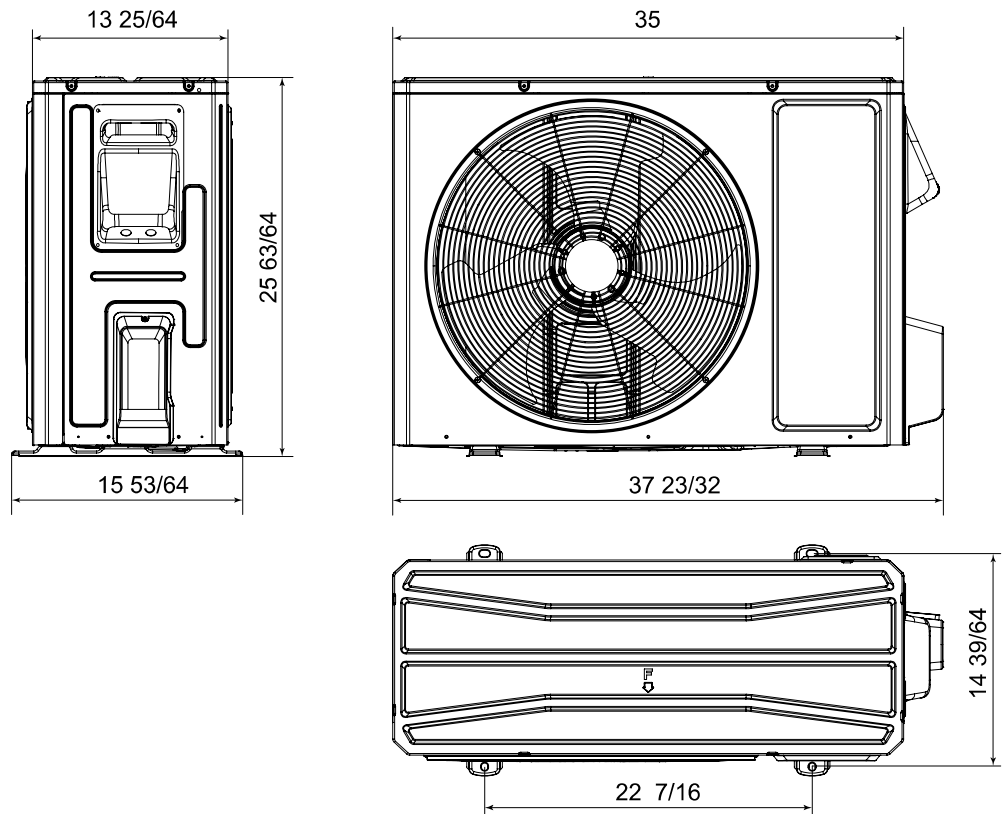
VIR24HP230V1R32AH	
DIMENSIONS	
W	42 21/64
H	13 7/64
D	9 11/16
W1	7 7/32
W2	27 55/64
W3	7 1/4



OUTDOOR UNIT

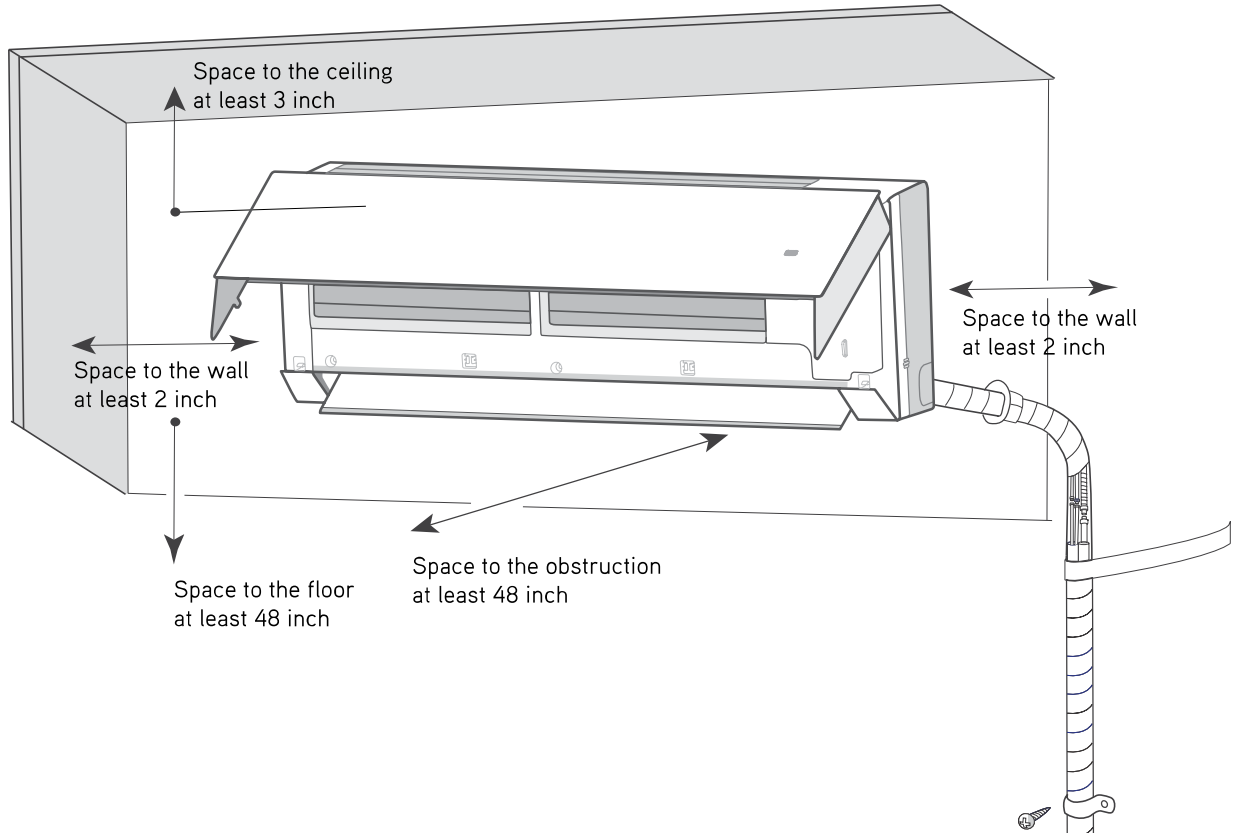
Unit: inch

VIR24HP230V1R32AO

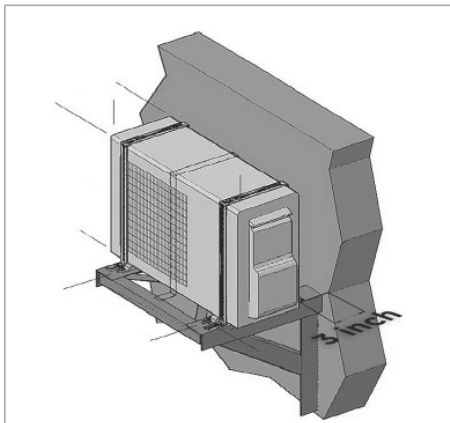


CLEARANCES

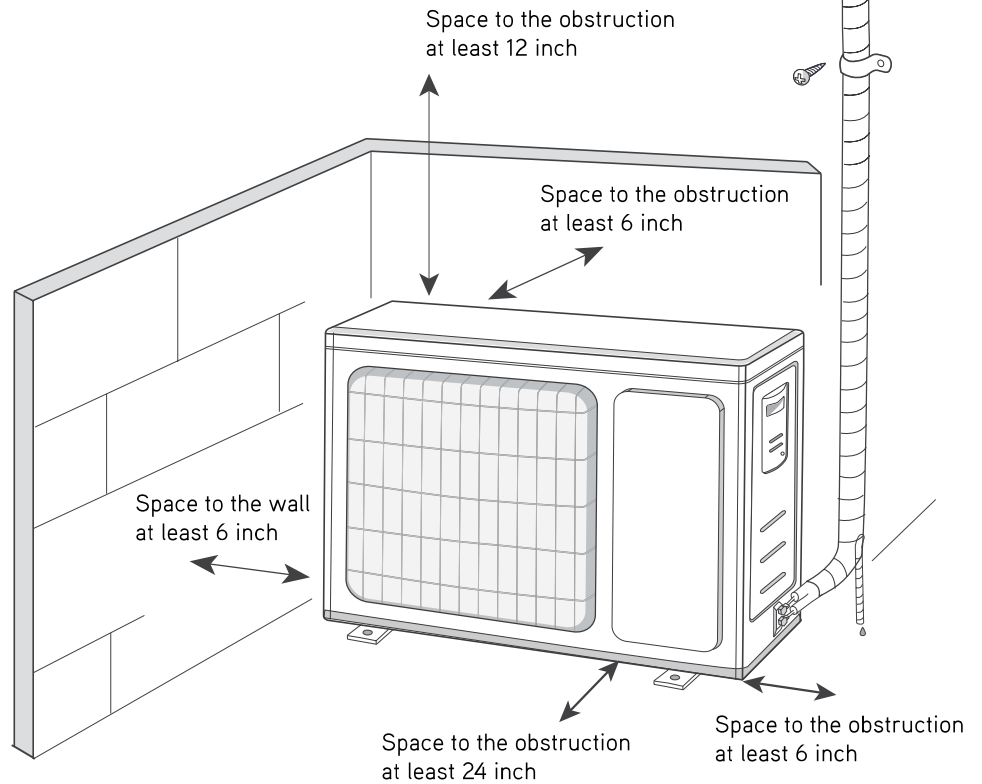
INDOOR UNIT Minimum clearance



OUTDOOR UNIT Minimum clearance



NOTE:
If bottom of the unit is free of airflow obstructions similar to the mounting bracket figure, the clearance to the wall on the back can be reduced to 3 inches.



Specifications are subject to change without notice. Manufacturer reserves the right to discontinue or modify specifications or designs without notice or without incurring obligations. All Rights reserved.