

SUBMITTAL DATA

VIR09HP230V1R32AH / VIR09HP230V1R32AO
9000 BTU/H Wall Mounted Heat Pump System

Job Name <input type="text"/>	Location <input type="text"/>	Date <input type="text"/>
Purchaser <input type="text"/>	Engineer <input type="text"/>	
Submitted to <input type="text"/>	For <input type="text"/>	
Unit Designation <input type="text"/>	Schedule No. <input type="text"/>	



GENERAL FEATURES

- AHRI Certificate: [214779340](#)
- High Efficiency DC Inverter Technology
- Compact and Quiet Design
- Auto-Clean Function on Indoor Unit
- Wireless Remote with LCD Display
- Wired Controller Options
- New R32 Refrigerant
- Composite Drain Pan
- Wi-Fi Included (Factory Installed)
- Low Ambient Cooling down to -20°F (Range -20°F to 122°F)
- Low Ambient Heating down to -22°F (Range -22°F to 86°F)
- Coil (Indoor and Outdoor) Copper Tube / Aluminum Fin
- Blue Colored Fin - 500 Hrs Salt Spray Tested

SPECIFICATIONS, FEATURES & FUNCTION SUMMARY

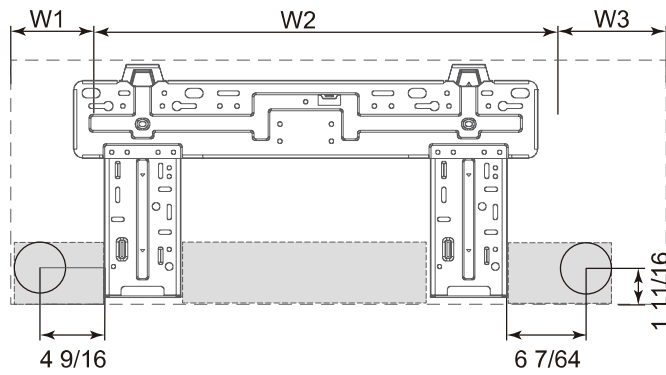
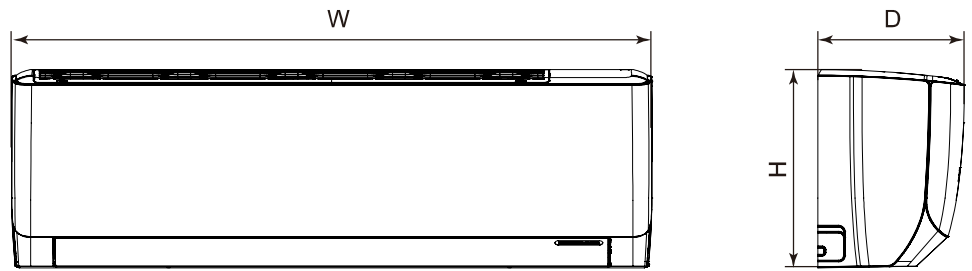
SYSTEM TYPE			HEAT PUMP		FEATURES & FUNCTIONS SUMMARY	
Outdoor Model			VIR09HP230V1R32AO		Inverter Type	G20
Indoor Model			VIR09HP230V1R32AH		Ultra Low Frequency Torque Control	Yes
SYSTEM PERFORMANCE						
Cooling Capacity	Min - Max	Btu/h	2,730 - 12,966		Power Factor Correction	Yes
	Rated Capacity @95°F	Btu/h	9,100		Basepan With Electric Heater	Yes
Heating Capacity	Min - Max	Btu/h	2,388 - 15,013		Indoor & Outdoor Fin Coating (Blue Fin)	Yes
	Rated Capacity @47°F	Btu/h	10,500		Intelligent Defrosting	Yes
	Rated Capacity @17°F	Btu/h	8,800		Intelligent Preheating	Yes
	Rated Capacity @5°F	Btu/h	9,500		Low Voltage Startup	Yes
SEER2			26.0		Memory/Power Failure Recovery	Yes
EER2			15.0		Self Diagnosis	Yes
HSPF2			10.4		Wired Controller Interface	Yes
COP @5°F			1.88		WiFi Included	Yes
Cooling Temperature Range		°F	-20 - 122		NEW! Easy Service Access	Yes
Heating Temperature Range		°F	-22 - 86		Indoor Fan Type	Crossflow
Refrigerant Type			R32		Multi Fan Speeds	7 Speeds
INDOOR UNIT			VIR09HP230V1R32AH		Indoor Unit Display	Yes
Air flow (Min - Max)		CFM	194 - 353		Auxiliary Electrical Heater	No
Sound Pressure Level (Min - Max)		dB(A)	20 - 41		Ventilation (Outdoor Air)	No
Dehumidification		pt/hr	1.69		REMOTE CONTROLLER FUNCTIONS	
External Dimensions (W x H x D)		in	32-31/64 x 11-17/32 x 7-23/32		NEW! Auto Clean	Yes
Package Dimension (W x H x D)		in	34-29/64 x 14-3/8 x 10-35/64		Auto Mode	Yes
Net Weight		lbs	20.9		Auto Fan	Yes
Gross Weight		lbs	25.4		Auto Swing (Horizontal Auto Swing)	Yes
OUTDOOR UNIT			VIR09HP230V1R32AO		Auto Swing - 180° (Vertical Auto Swing)	Yes
Compressor Type		GREE G20 / SINGLE CYLINDER / 1 - STAGE INVERTER		Clock	Yes	
Sound Pressure Level		dB(A)	52		Dry Mode	Yes
External Dimensions (W x H x D)		in	31-37/64 x 21-27/32 x 13-25/32		Dry Anti-Mildew (X-Fan) Mode	Yes
Package Dimension (W x H x D)		in	34-21/64 x 24-13/32 x 15-43/64		Energy Saving Mode	Yes
Net Weight		lbs	70.6		Dirty Filter Alert	Yes
Gross Weight		lbs	76.1		Fan Speed Control	Yes
REFRIGERANT PIPING						
Refrigerant Charge - R32		oz	30		I Feel Function	Yes
Additional Charge		oz/ft	0.2		Privacy Lock	Yes
Line Set Size (Liquid - Gas) - Flared Connections		in	1/4 - 3/8		Quiet Mode	Yes
Pre-Charge Length		ft	25		Room Temperature Display	Yes
Pipe Length (Min - Max)		ft	10 - 66		Sleep Mode	Yes
Max. Pipe Elevation		ft	40		3 Sleep Mode Options	Yes
ELECTRICAL						
Power Supply		208-230V / 1Ph / 60Hz (Powered by the Outdoor Unit)		Timer Mode	Yes	
Voltage Range (Min - Max)		VAC	187 - 253		Turbo Mode	Yes
Rated Current - Cooling		A	4.73		Display On/Off Control	Yes
Rated Current - Heating		A	6		Freeze Guard Mode	Yes
MOCP		A	15		Power Failure Mode	Yes
MCA		A	10		Humidity Control	Yes
Main Power Wire Size		AWG	Per Local Code			
Interconnecting Wire Size		AWG	14 / 4			

DIMENSIONS

INDOOR UNIT

Unit: inch

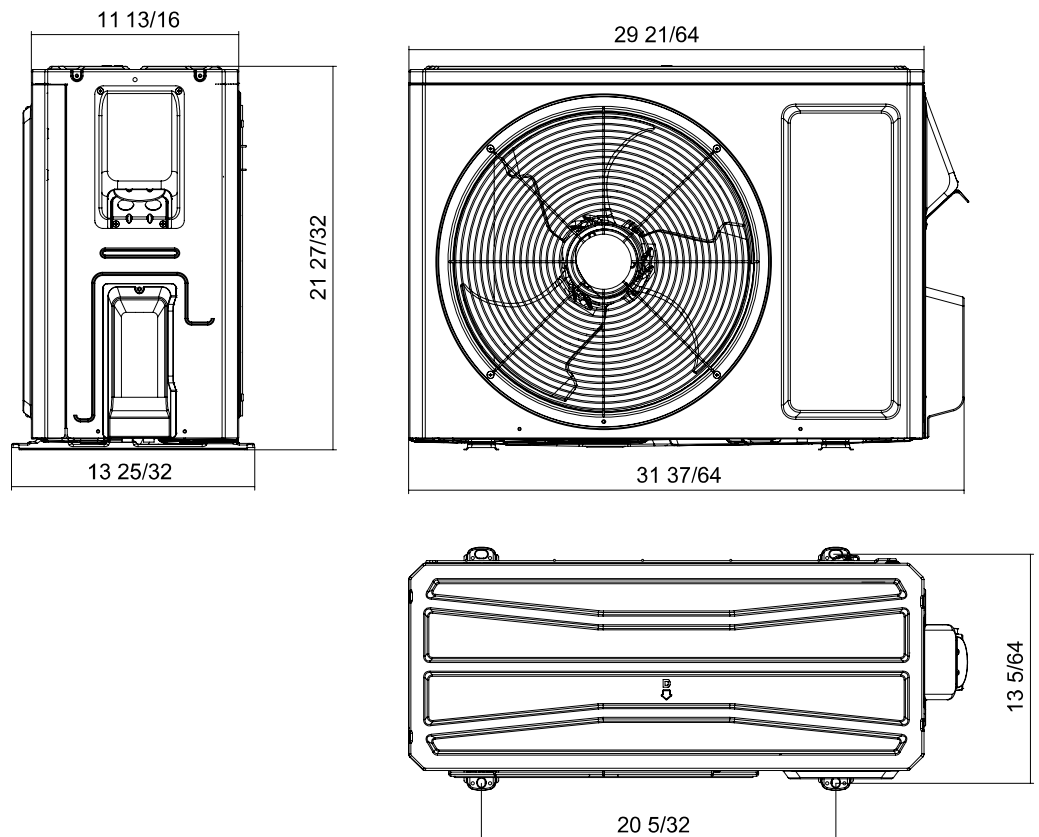
VIR09HP230V1R32AH	
DIMENSIONS	
W	32 31/64
H	11 17/32
D	7 23/32
W1	4 29/64
W2	21 11/32
W3	6 11/16



OUTDOOR UNIT

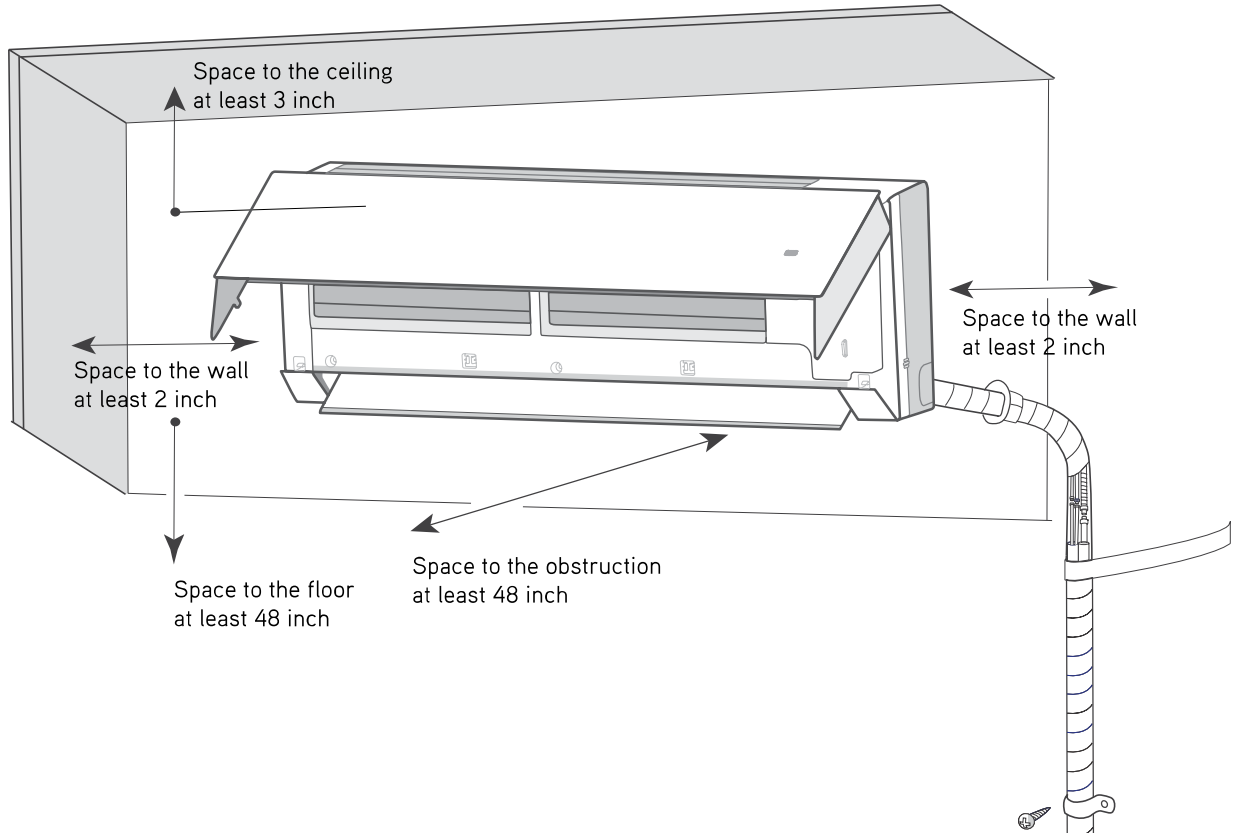
Unit: inch

VIR09HP230V1R32AO

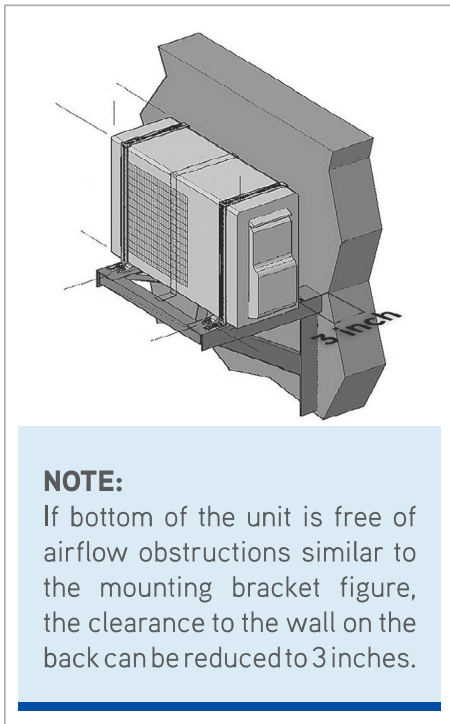


CLEARANCES

INDOOR UNIT Minimum clearance

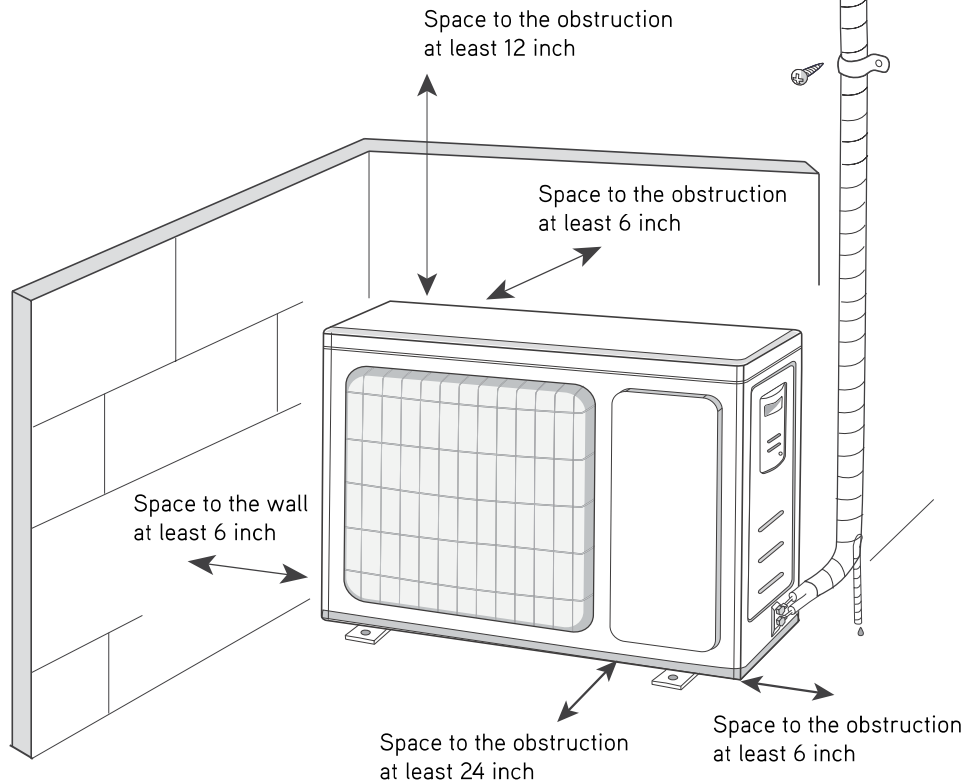


OUTDOOR UNIT Minimum clearance



NOTE:

If bottom of the unit is free of airflow obstructions similar to the mounting bracket figure, the clearance to the wall on the back can be reduced to 3 inches.



Specifications are subject to change without notice. Manufacturer reserves the right to discontinue or modify specifications or designs without notice or without incurring obligations. All Rights reserved.