

## EXPLODED VIEW & PARTS LIST



### Outdoor unit

VIR09HP230V1R32A0

VIR12HP230V1R32A0

VIR18HP230V1R32A0

VIR24HP230V1R32A0



### Indoor unit

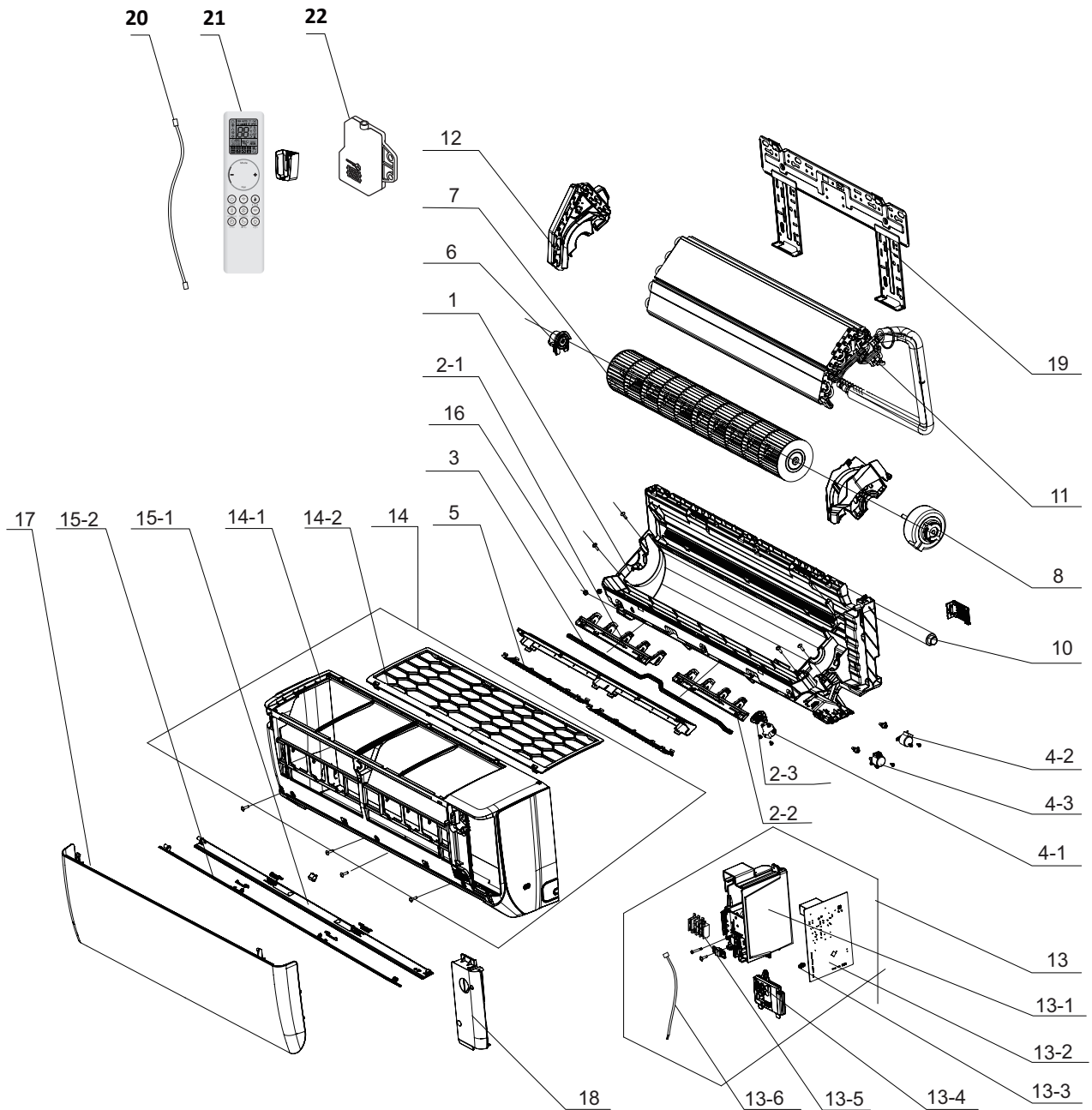
VIR09HP230V1R32AH

VIR12HP230V1R32AH

VIR18HP230V1R32AH

VIR24HP230V1R32AH

# VIR09HP230V1R32AH



The component picture is only for reference; please refer to the actual product.

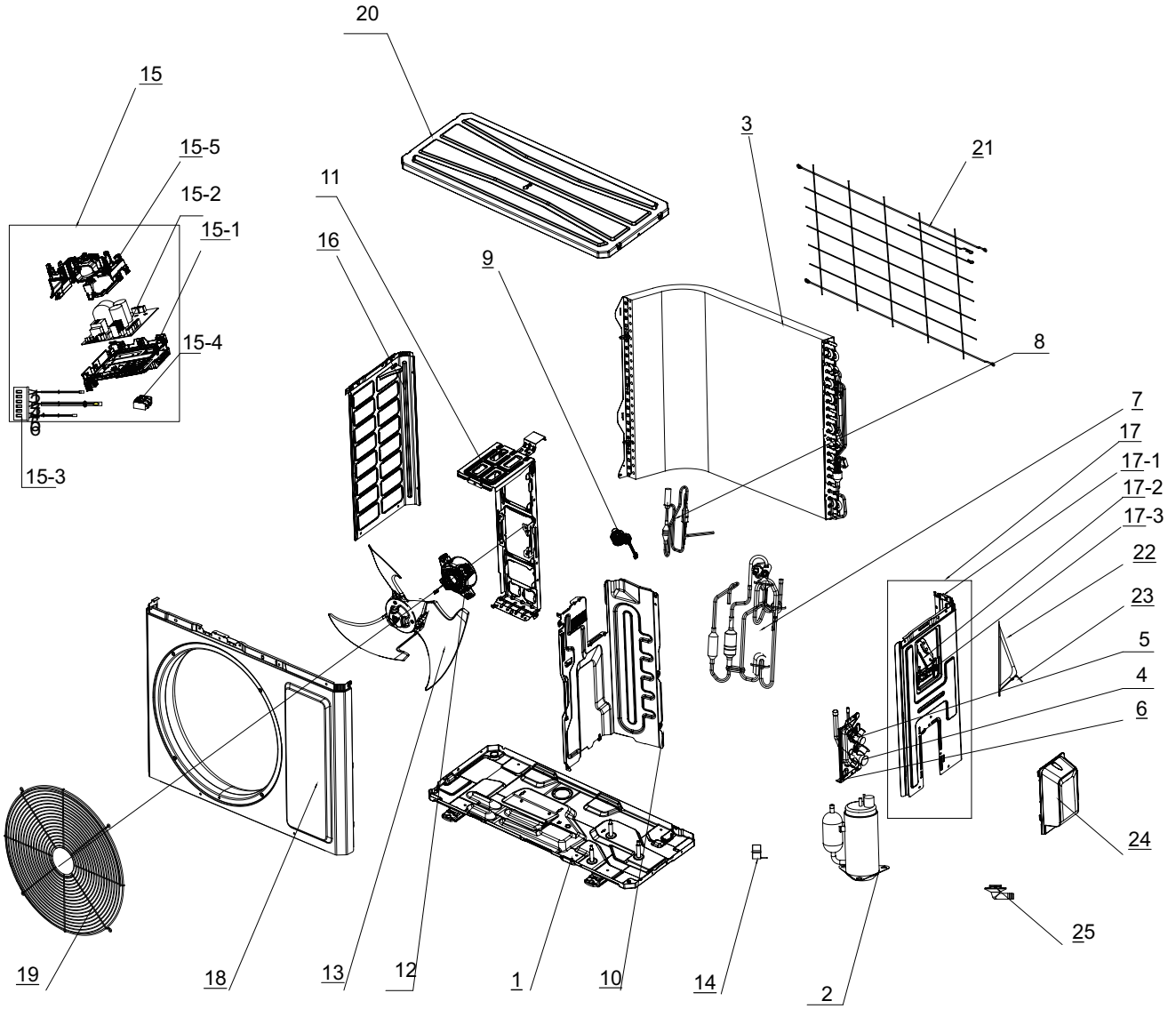


## VIR09HP230V1R32AH

No.	Part Description	Qty	Part No.
1	Rear Case Sub-Assy	1	00037706013601
2-1	Air Louver(Left)	1	200007060064
2-2	Air Louver(Right)	1	200007060065
3	Swing Lever	1	200035060028
2-3	Air Louver (Auto)	1	200007060066
4-1	Stepping Motor	1	1521210704
NS	Rear Grill Sub-assy	2	209016000003
6	Axile Bush Sub-assy	1	10542047
7	Cross Flow Fan	1	103001060004
8	Fan Motor	1	150104060117
10	Drainage Hose	1	05230014
11	Evaporator Assy	1	011001060430
12	Evaporator Support	1	200025060004
13	Electric Box Assy	1	100002083534
13-1	Electric Box	1	200013060065
13-2	Main Board	1	300002064385
13-3	Jumper	1	4202021906
13-4	Display Board	1	300001061554
13-5	Terminal Board	1	422000000022
13-6	Temperature Sensor	1	3900031302
14	Front Case Assy	1	000002060384
14-1	Front Case	1	200002060067
14-2	Filter Sub-Assy	1	111001060249
15-1	Guide Louver (lower)	1	200004060152
15-2	Guide Louver (upper)	1	200004060154
4-2	Stepping Motor	1	1521200607
4-3	Stepping Motor	1	1521210710
NS	Axile Bush	1	200033060002
17	Front Panel	1	000003060540
18	Electric Box Cover	1	200082060053
19	Wall Mounting Frame	1	01252484
21	Remote Controller	1	305001060204
22	Gas Sensor	1	34002406001601



# VIR09HP230V1R32AO



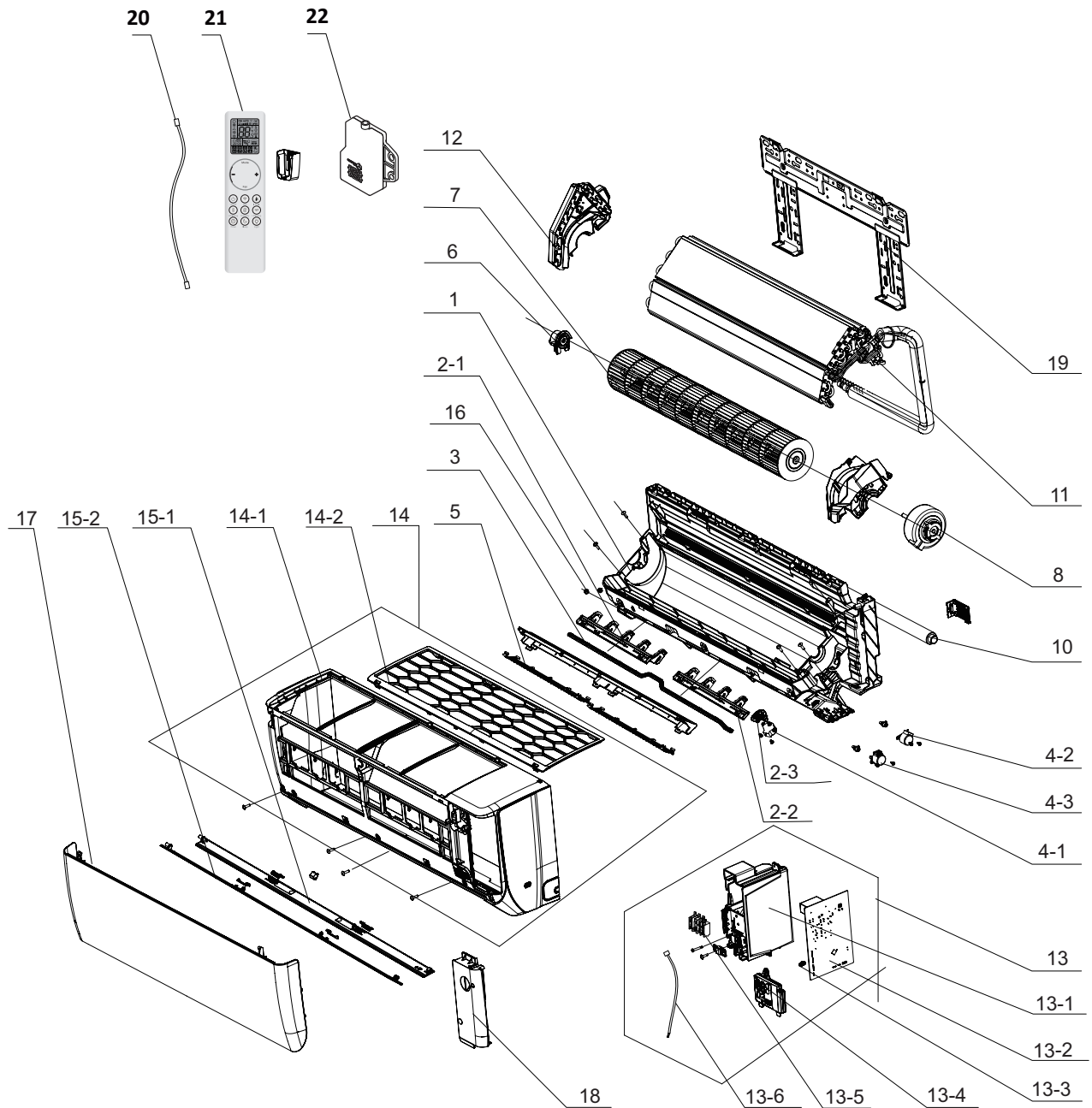
The component picture is only for reference; please refer to the actual product.

## VIR09HP230V1R32AO

No.	Part Description	Qty	Part No.
1	Chassis Sub-assy	1	017000060759P
2	Compressor and Fittings	1	009001060611
3	Condenser Assy	1	01100206173402
4	Cut-off valve 3/8(N)	1	070001060023
5	Cut-off valve 1/4(N)	1	070001060022
6	Valve Support	1	012044060022P
7	4-Way Valve Assy	1	030152060812
8	Electronic Expansion Valve Sub-Assy	1	07133821
9	Electric Expand Valve Fitting	1	07200206002301
10	Clapboard Assy	1	000075060266
11	Motor Support	1	01204806014001
12	Brushless DC Motor	1	15010406009506
13	Axial Flow Fan	1	103002060015
14	Magnet Coil	1	4300040072
15	Electric Box Assy	1	100002081624
15-1	Electric Box	1	20001306010102
15-2	Main Board	1	300027063727
15-3	Temperature Sensor	1	39000106006902
15-4	Terminal Board	1	42200006007501
15-5	Electric Box Cover	1	20006606003501
16	Left Side Plate	1	012055060395P
17	Right Side Plate Assy	1	000081060330
17-1	Right Side Plate	1	01205606036706P
17-2	Earthing Plate Sub-assy	1	017246000007
17-3	Wire Clamp	1	200015060025
18	Cabinet	1	01202206001002P
19	Front Grill	1	016004060011
20	Top Cover Assy	1	000097060355
21	Rear Grill	1	016001060082
22	Cable Cross Plate	1	01220906002802P
23	Cable Cross Plate	1	012209060027P
24	Valve Cover	1	20008706000403
25	Drainage Joint	1	26113009



# VIR12HP230V1R32AH



The component picture is only for reference; please refer to the actual product.

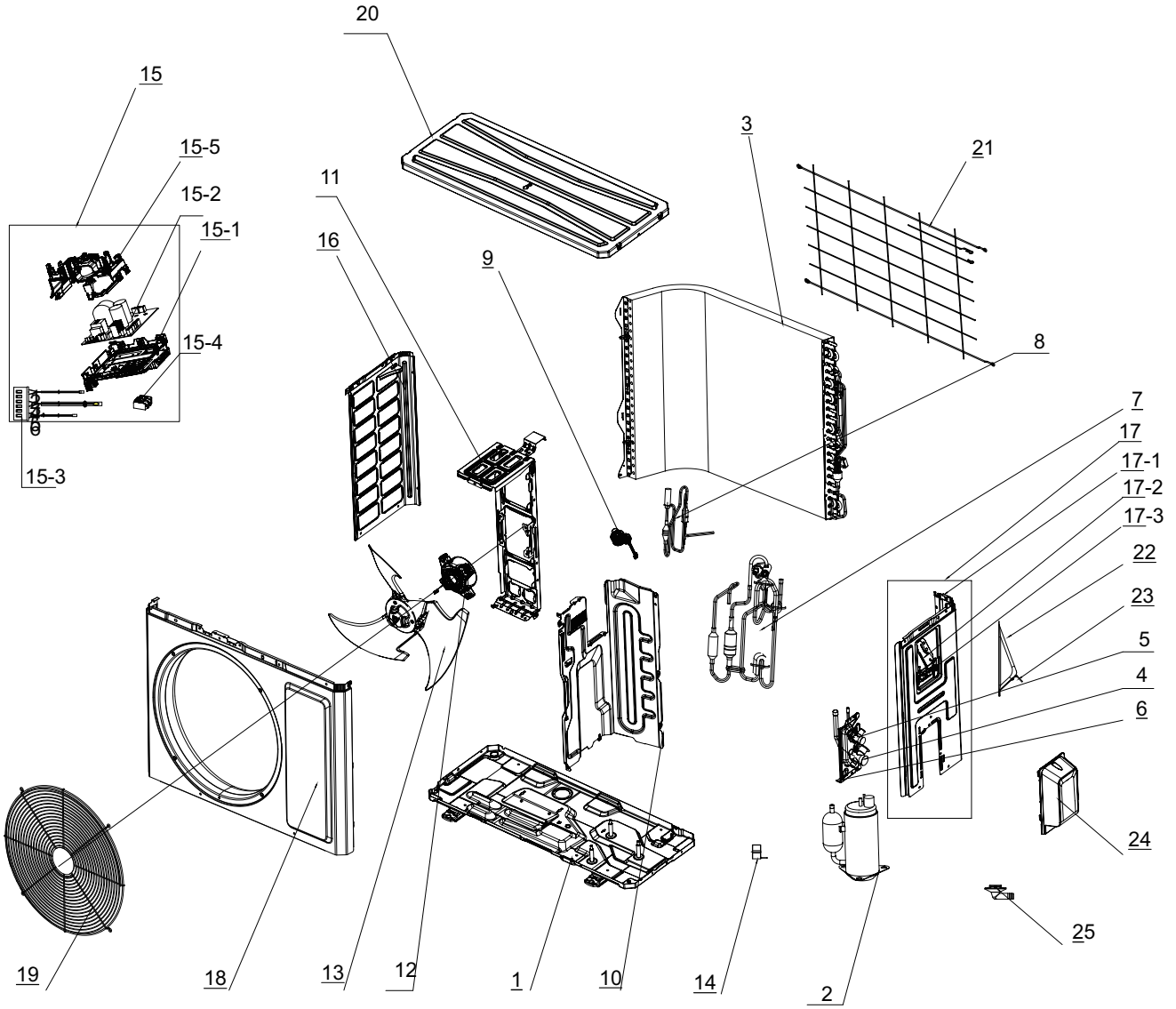


## VIR12HP230V1R32AH

No.	Part Description	Qty	Part No.
1	Rear Case Sub-Assy	1	00037706013601
2-1	Rear Case	1	20000106003803
4-2	SteppingMotor	1	1521210710
4-3	Stepping Motor	1	1521200607
6	Axile Bush Sub-assy	1	10542047
7	Cross Flow Fan	1	103001060004
8	Brushless DC Motor	1	15010406011702
2-2	Air Louver(right)	1	200007060065
2-1	Air Louver (left)	1	200007060064
3	Swing Lever	1	200035060028
2-3	Air Louver (Auto)	1	200007060066
4-1	Stepping Motor	1	1521210704
NS	Rear Grill Sub-assy	2	209016000003
NS	Rear Grill	1	016001060083
NS	Cable Cross Plate	1	02122023P
10	Drainage Hose	1	05230014
11	Evaporator Assy	1	01100106043001
12	Evaporator Support	1	200025060004
22	Gas Sensor	1	34002406001601
13	Electric Box Assy	1	100002083501
13-1	Electric Box	1	200013060065
13-2	Main Board	1	300002064385
13-3	Jumper	1	4202021911
NS	Supporter	1	200114060045
13-5	Terminal Board	1	422000000022
13-6	Temperature Sensor	1	3900031302
14	Front Case Assy	1	000002060384
14-1	Front Case	1	200002060067
14-2	Filter Sub-Assy	1	111001060249
NS	Guide Louver Sub-Assy	1	000136060110
15-2	Guide louver(upper)	1	200004060152
NS	Guide Louver Sub-Assy	1	000136060111
15-1	Guide Louver (lower)	1	200004060154
17	Front Panel Assy	1	000003060540
18	Electric Box Cover	1	200082060053
19	Wall Mounting Frame	1	01252484
21	Remote Controller	1	305001060204



# VIR12HP230V1R32AO



The component picture is only for reference; please refer to the actual product.

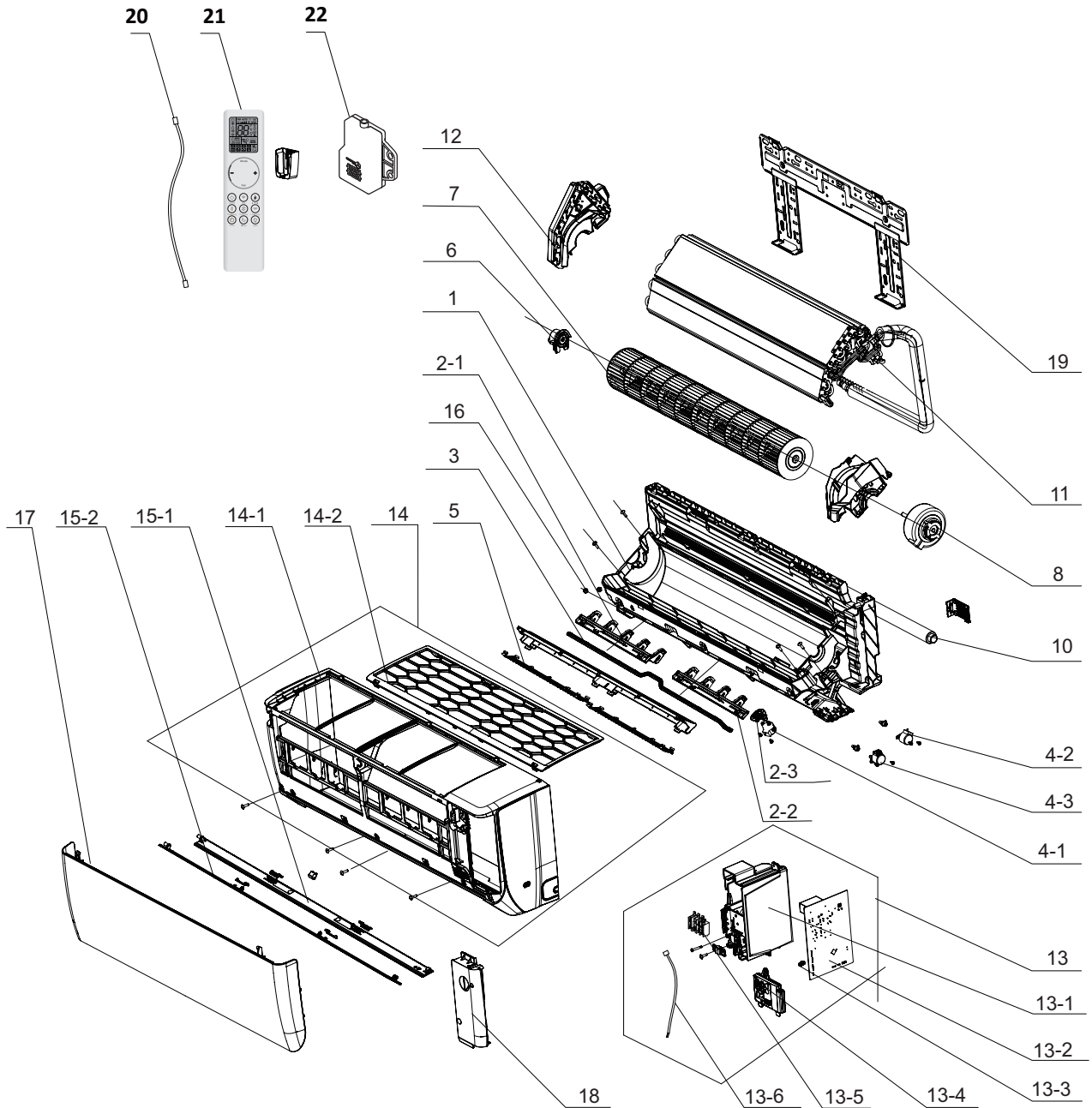
## VIR12HP230V1R32AO

No.	Part Description	Qty	Part No.
1	Chassis Sub-assy	1	017000060759P
NS	Electrical Heater (Chassis)	1	7651000423
2	Compressor and Fittings	1	009001061048
NS	Compressor Gasket	3	009012060035
3	Condenser Assy	1	01100206179401
NS	Strainer	1	0721304401
NS	4-Way Valve Assy	1	030152060972
NS	4-Way Valve Assy	1	030152060768
NS	Silencer	1	035023060016
12	Fan Motor	1	15010406009506
5	Valve Support	1	012044060022P
NS	Cut off Valve Sub-Assy	1	030057060452
6	Cut-off valve 1/2(N)	1	070001060024
4	Cut-off valve 1/4(N)	1	070001060022
8	Electric Expand Valve Fitting	1	07200206002301
11	Motor Support	1	01204806014001
13	Axial Flow Fan	1	103002060015
9	Magnet Coil	1	4300040072
15	Electric Box Assy	1	100002081633
NS	Electric Box	1	20001306010102
15-2	Main Board	1	300027063733
15-3	Temperature Sensor	1	39000106006902
15-4	Terminal Board	1	42200006007501
NS	Electric Box cover	1	20006606003501
16	Left Side Plate	1	012055060395P
17-1	Right Side Plate	1	01205606036706P
17-2	Earthing Plate Sub-assy	1	017246000007
17-3	Wire Clamp	1	200015060025
NS	Front Panel Assy	1	000003060803
18	Cabinet	1	01202206001002P
19	Front Grill	1	016004060011
20	Top Cover Assy	1	000097060355
21	Rear Grill	1	016001060082
NS	Cable Cross Plate	1	01220906002802P
NS	Cable Cross Plate	1	012209060027P
24	Valve Cover	1	20008706000403
25	Drainage Joint	1	26113009



[Back to main page](#)

# VIR18HP230V1R32AH



The component picture is only for reference; please refer to the actual product.



## VIR18HP230V1R32AH

No.	Part Description	Qty	Part No.
1	Rear Case Sub-Assy	1	00037706012501
2-3	Air Louver 1 (Auto)	2	200007060051
2-2	Air Louver 2	1	200007060053
2-3	Air Louver	1	200007060052
3	Swing Lever	1	200035060020
4-1	Stepping Motor	1	1521210704
4-2	Stepping Motor	1	1521200606
4-3	SteppingMotor	1	1521210710
6	Axile Bush Sub-assy	1	10542047
7	Cross Flow Fan	1	103001060017
8	Brushless DC Motor	1	15010406008802
NS	Rear Grill Sub-assy	3	209168000003
NS	Cable Cross Plate	1	02122023P
10	Drainage Hose	1	05230014
11	Evaporator Assy	1	011001061474
12	Evaporator Support	1	200025060012
22	Gas Sensor	1	34002406001601
13	Electric Box Assy	1	100002083477
13-1	Electric Box	1	200013060061
13-2	Main Board	1	300002064384
13-3	Jumper	1	4202021920
13-5	Terminal Board	1	422000000022
13-6	Temperature Sensor	1	3900031302
14	Front Case Assy	1	000002060389
14-1	Front Case	1	200002060068
14-2	Filter Sub-Assy	1	111001060247
NS	Guide Louver Sub-Assy	1	000136060119
NS	Guide Louver Sub-Assy	1	000136060118
18	Electric Box Cover	1	200082060050
19	Wall Mounting frame	1	012043060008
21	Remote Controller	1	305001060204

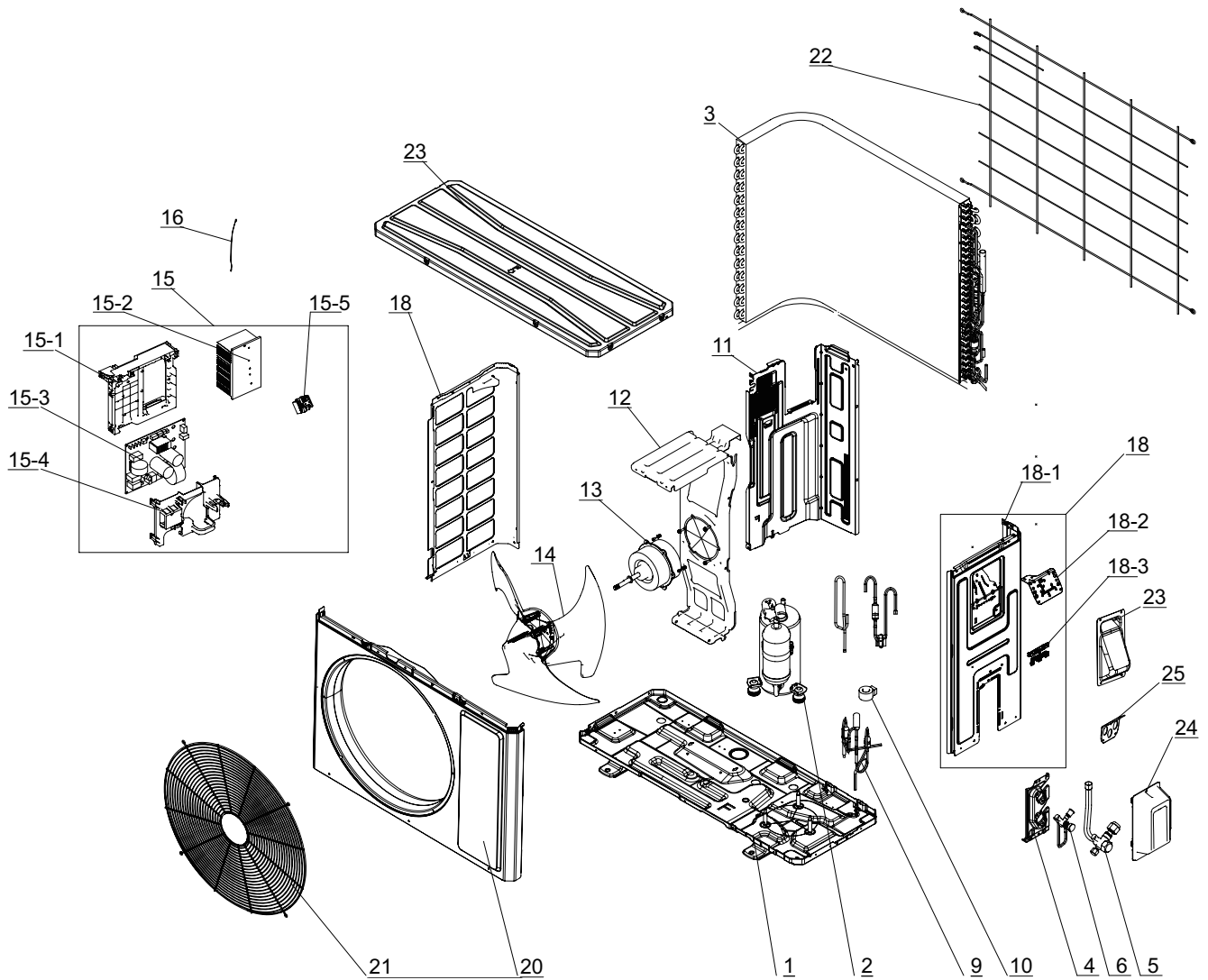
**GREE ELECTRIC APPLIANCES INC. OF ZHUHAI**  
**GREECOMFORT.COM**



[Back to main page](#)

CAT No. 09192024

# VIR18HP230V1R32AO



The component is only for reference; please refer to the actual product.

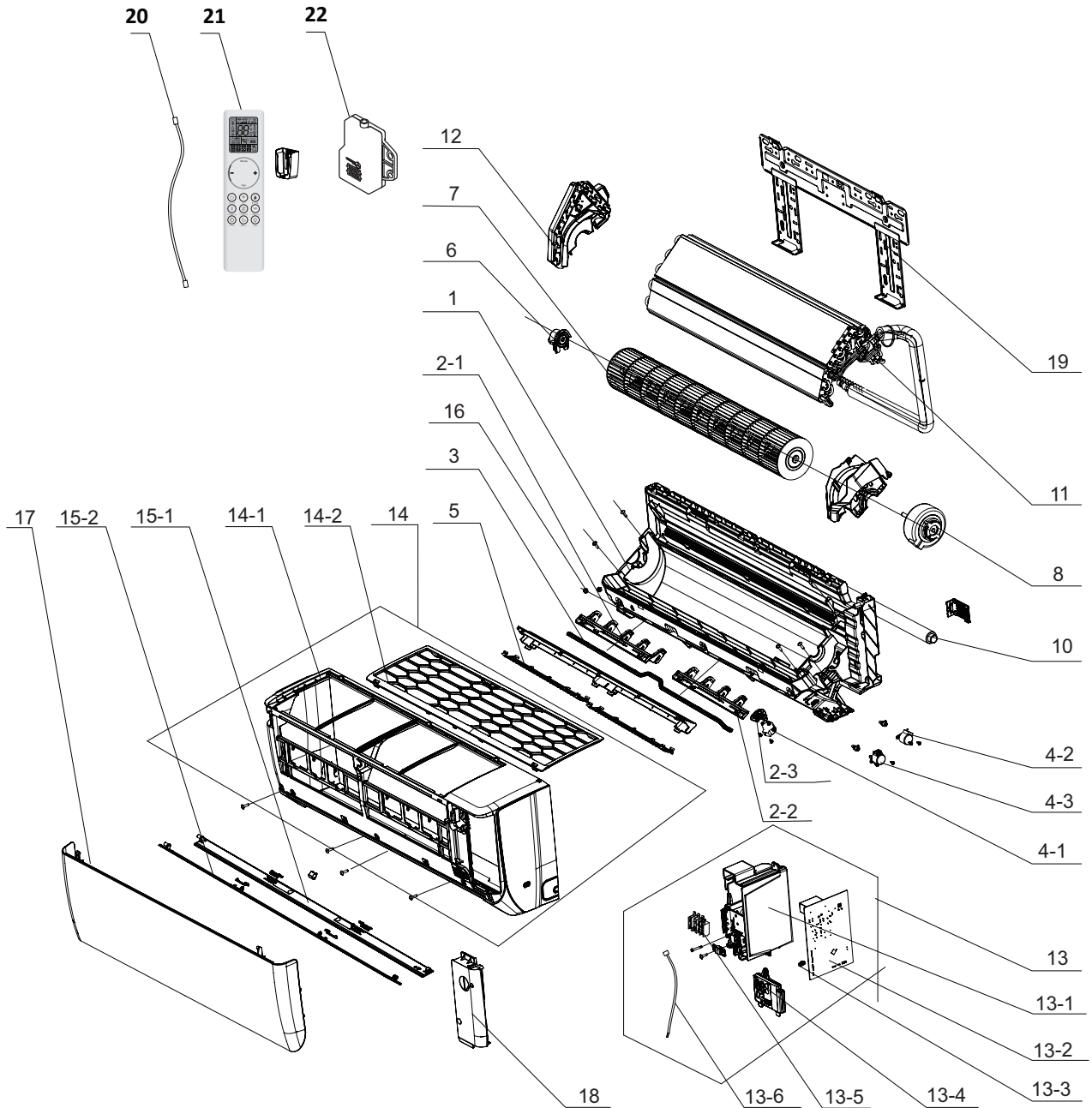


**VIR18HP230V1R32AO**

No.	Part Description	Qty	Part No.
1	Chassis Sub-assy	1	01700006076102P
NS	Electrical Heater	1	765100049
2	Compressor and Fittings	1	009001060783
NS	Compressor Gasket	3	009033060003
3	Condenser Assy	1	01100206198302
NS	Electronic Expansion Valve	1	072009000017
NS	Strainer	1	0721304401
4	Valve Support	1	012044060022P
5	Cut-off valve 1/2(N)	1	070001060024
6	Cut-off valve 1/4(N)	1	070001060022
9	4-Way Valve Assy	1	030152061035
NS	4-Way Valve Assy	1	030152061034
NS	Silencer 1	1	07243050
NS	Electric Expand Valve Fitting	1	07200206002214
10	Magnet Coil	1	4300040072
11	Clapboard Assy	1	000075060128
12	Motor Support	1	012048060145
14	Axial Flow Fan	1	10335262
18	Left Side Plate	1	012055060393P
15	Electric Box Assy	1	100002081646
15-1	Electric Box	1	20001306008501
15-3	Main Board	1	300027063750
15-4	Electric Box Cover	1	20008206006801
15-5	Terminal Board	1	42200006007501
16	Temperature Sensor	1	39000106006901
18	Right Side Plate Assy	1	000081060389
18-1	Right Side Plate	1	01205606037704P
18-2	Earthing Plate Sub-assy	1	01724600000204
18-3	Wire Clamp	1	200015060023
NS	Front Panel Assy	1	00000306054301
20	Front Panel	1	01207306161101P02
21	Rear Grill	1	016001060088
23	Top Cover Assy	1	00009706033302
13	Fan Motor	1	15010406010306
25	Cable Cross Plate	1	01220906004101P
24	Valve Cover	1	20008706000503
NS	Drainage Joint	1	26113009



# VIR24HP230V1R32AH



The component picture is only for reference; please refer to the actual product.

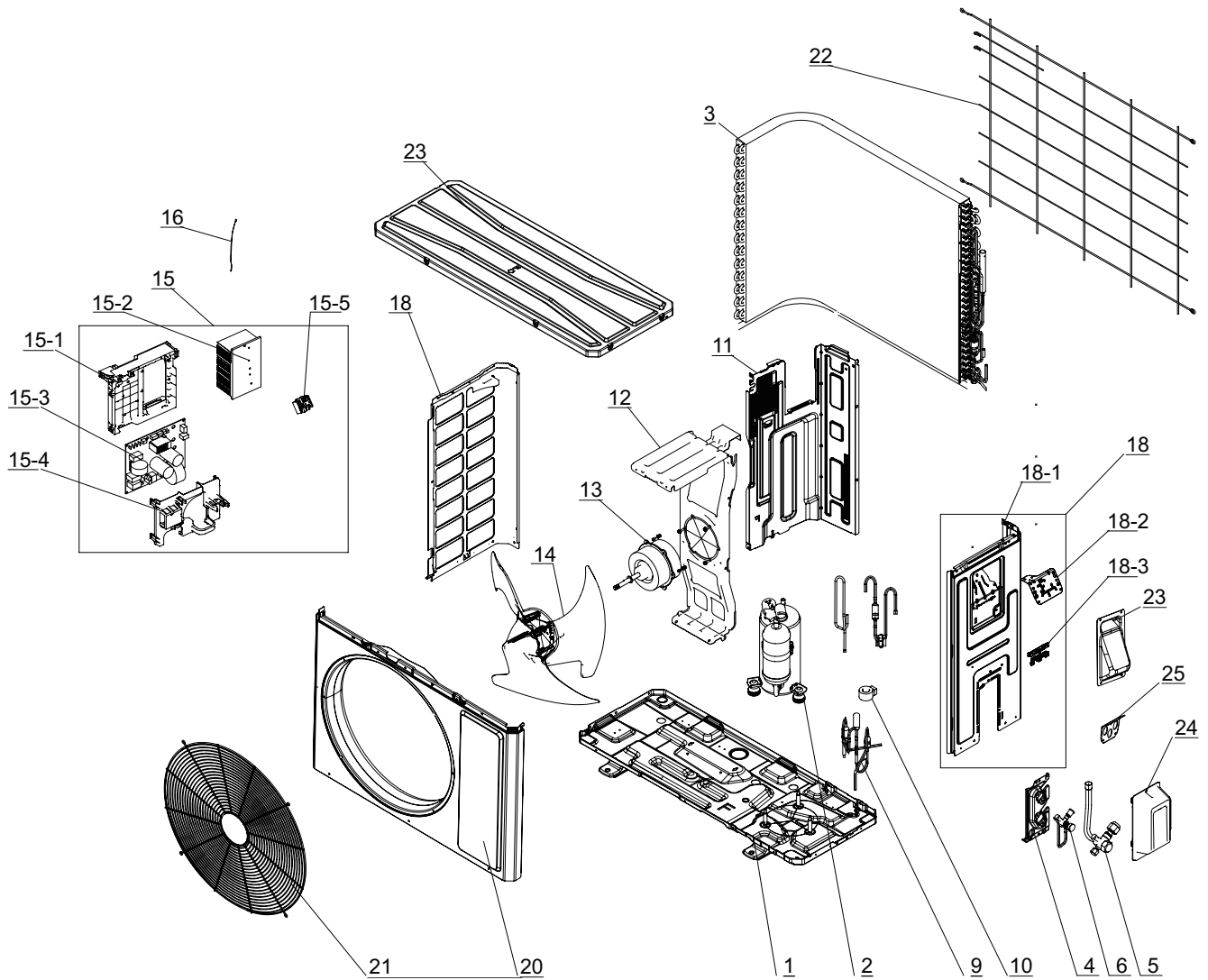


## VIR24HP230V1R32AH

No.	Part Description	Qty	Part No.
1	Rear Case	1	20000106004102
6	Axile Bush Sub-assy	1	1054204701
4-2	Stepping Motor	1	1521200607
4-3	Stepping Motor	1	1521210712
2-1	Air Louver(left)	2	200007060059
2-2	Air Louver(right)	1	200007060058
2-3	Air Louver(auto)	1	200007060057
3	Swing Lever	1	200035060025
4-1	Stepping Motor	1	1521210704
8	Brushless DC Motor	1	15010406011601
7	Cross Flow Fan	1	103001060019
NS	Rear Grill Sub-assy	3	209168000004
NS	Cable Cross Plate	1	02122023P
10	Drainage Hose	1	0523001405
11	Evaporator Assy	1	01100106100608
12	Evaporator Support	1	200025060014
22	Gas Sensor	1	34002406001601
13	Electric Box Assy	1	100002083510
13-1	Electric Box	1	200013060061
13-2	Main Board	1	300002064384
13-3	Jumper	1	4202021928
13-5	Terminal Board	1	422000000022
13-6	Temperature Sensor	1	3900031302
14	Front Case Assy	1	000002060289
14-1	Front Case	1	200002060064
14-2	Filter Sub-Assy	1	111001060246
15-2	Guide Louver(upper)	1	200004060148
15-1	Guide Louver(lower)	1	200004060147
18	Electric Box Cover	1	200082060050
17	Front Panel	1	200003060252T
19	Wall Mounting Frame	1	012043060012
21	Remote Controller	1	305001060204



# VIR24HP230V1R32AO



The component is only for reference; please refer to the actual product.



## VIR24HP230V1R32AO

No	Part Description	Qty	Part No.
1	Chassis Sub-assy	1	01700006076102P
NS	Electrical Heater	1	765100049
2	Compressor and Fittings	1	009001061004
NS	Compressor Gasket	3	009033060003
3	Condenser Assy	1	01100206169803
6	Cut-off valve 1/4(N)	1	070001060027
4	Valve Support	1	012044060032P
5	Cut-off valve 5/8(N)	1	070001060032
NS	Strainer	1	0721304401
9	4-Way Valve Assy	1	030152061285
NS	Silencer 1	1	07243050
NS	Electric Expand Valve Fitting	1	07200206002309
10	4 Way Valve Coil	1	07201006002409
13	Fan Motor	1	15010406010306
12	Motor Support	1	012048060145
14	Axial Flow Fan	1	10335262
18	Left Side Plate	1	012055060393P
15	Electric Box Assy	1	100002082553
15-1	Electric Box	1	20001306008501
15-3	Main Board	1	300027063940
15-4	Electric Box Cover	1	20008206006801
15-5	Terminal Board	1	42200006007501
16	Temperature Sensor	1	39000106006901
18	Right Side Plate Assy	1	000081060399
18-1	Right Side Plate	1	01205606038704P
18-3	Wire Clamp	1	200015060023
18-2	Earthing Plate Sub-assy	1	01724600000204
22	Rear Grill	1	016001060085
NS	Front Panel Assy	1	00000306054301
20	Front Panel	1	01207306161101P02
23	Top Cover Assy	1	00009706033301
25	Cable Cross Plate	1	01220906004101P
24	Valve Cover	1	200087060005
NS	Drainage Joint	1	26113009

