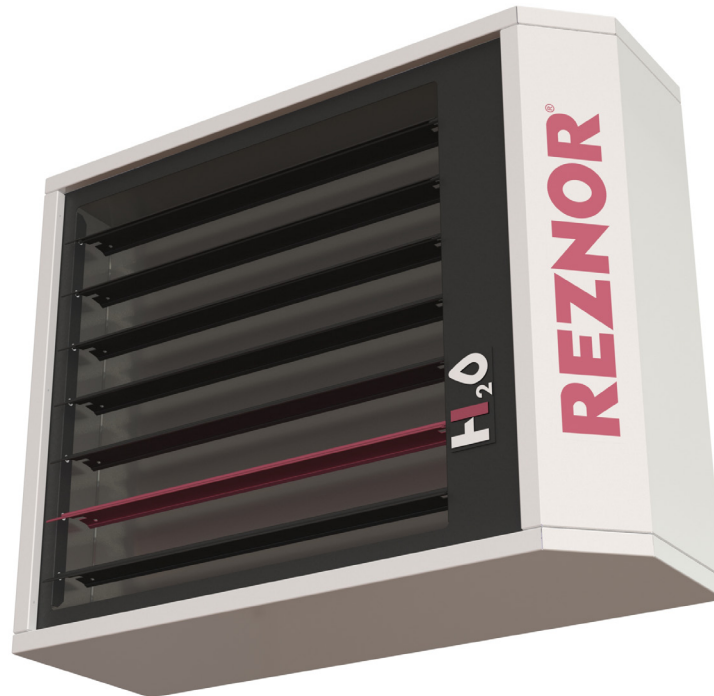


## REPLACEMENT PARTS FOR HYDRONIC UNIT HEATER

### MODEL UWS



### TABLE OF CONTENTS

SERIAL NUMBER .....	2
ELECTRICAL COMPONENTS .....	3
HYDRONIC COIL ASSEMBLY COMPONENTS.....	4
CABINET COMPONENTS.....	5
FAN AND MOTOR ASSEMBLY COMPONENTS .....	6
ACCESSORIES/OPTIONS .....	7

### IMPORTANT

- Always include complete model and serial number so that any specification change can be considered for parts replacement. It can save time and expense.
- In keeping with our policy of continuous product improvement, we reserve the right to alter any information shown here.
- Order by Part Number (PN) not by option designation.

**WE RESERVE THE RIGHT TO SUBSTITUTE FUNCTIONAL REPLACEMENTS.**

## SERIAL NUMBER

**NOTE: The serial number is located on the unit's rating plate.**

Decode serial numbers as follows:

**Serial number sample:**            BOG 3062 00000  
**Elements key number:**            1 | 2 | 3

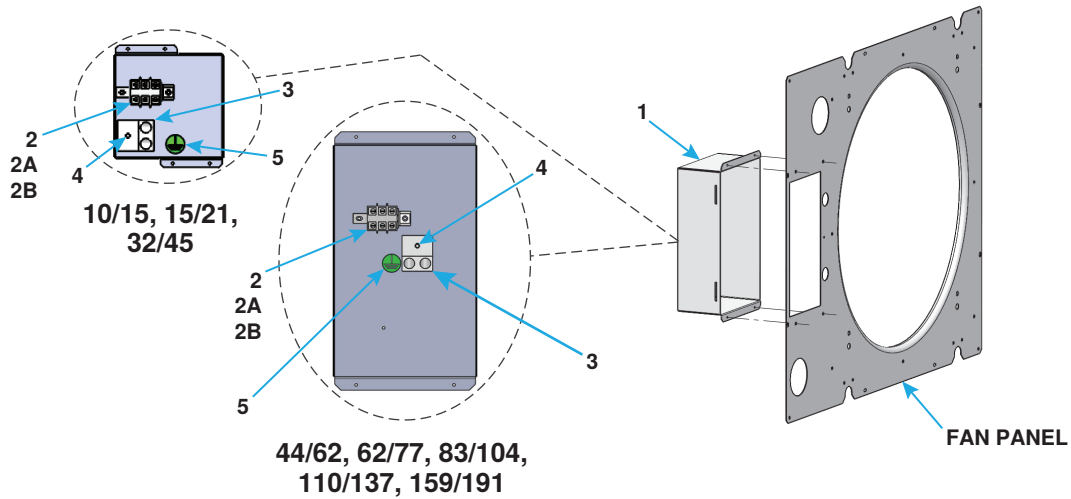
**Key:**

- 1 = Date code (refer to [Table 1](#))**
- 2 = Plant of manufacture (3062 = Monterrey)**
- 3 = Consecutive number**

**Table 1. Serial Number Date Codes (Month and Year)**

Year	Month											
	JAN	FEB	MAR	APR	MAY	JUN	JUL	AUG	SEP	OCT	NOV	DEC
2024	BXA	BXB	BXC	BXD	BXE	BXF	BXG	BXH	BXI	BXJ	BXK	BXL
2025	BYA	BYB	BYC	BYD	BYE	BYF	BYG	BYH	BYI	BYJ	BYK	BYL
2026	BZA	BZB	BZC	BZD	BZE	BZF	BZG	BZH	BZI	BZJ	BZK	BZL
2027	CAA	CAB	CAC	CAD	CAE	CAF	CAG	CAH	CAI	CAJ	CAK	CAL
2028	CBA	CBB	CBC	CBD	CBE	CBF	CBG	CBH	CBI	CBJ	CBK	CBL
2029	CCA	CCB	CCC	CCD	CCE	CCF	CCG	CCH	CCI	CCJ	CCK	CCL
2030	CDA	CDB	CDC	CDD	CDE	CDF	CDG	CDH	CDI	CDJ	CDK	CDL
2031	CEA	CEB	CEC	CED	CEE	CEF	CEG	CEH	CEI	CEJ	CEK	CEL
2032	CFA	CFB	CFC	CFD	CFE	CFF	CFG	CFH	CFI	CFJ	CFK	CFL
2033	CGA	CGB	CGC	CGD	CGE	CGF	CGG	CGH	CGI	CGJ	CGK	CGL
2034	CHA	CHB	CHC	CHD	CHE	CHF	CHG	CHH	CHI	CHJ	CHK	CHL
2035	CIA	CIB	CIC	CID	CIE	CIF	CIG	CIH	CII	CIJ	CIK	CIL

## ELECTRICAL COMPONENTS



**Figure 1. Electrical Components**

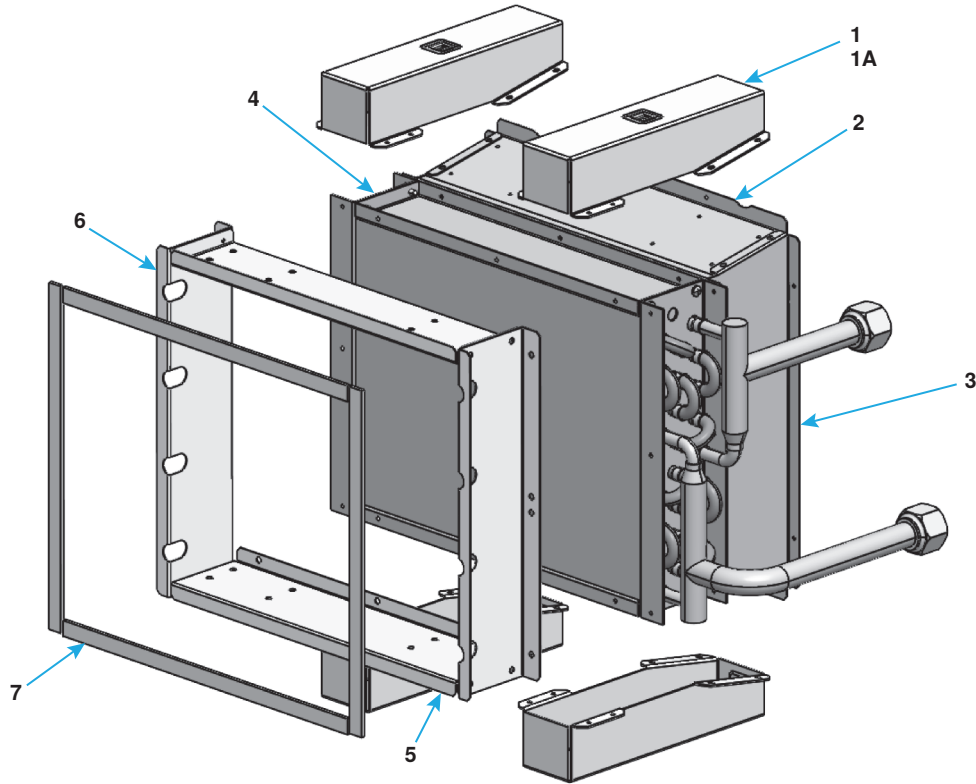
**Table 2. Electrical Components**

Item No.	Component	Description	Unit Size (MBTUh)		
			10/15, 15/21, 22/31, 32/45	44/62, 62/77, 83/104	110/137, 159/191
			PN		
1	Box	Electrical	1042734	1042859	
1A	Door (not shown)	Electrical box	1042733	1042860	
2	Block*	Terminal	144972		
2A	Mounting adapter	Terminal block	144973		
2B	Marking strip		21831		
3	Lug*	Grounding	632235		
4	Self-tapping screw*	#10-16 × 3/4	Field-supplied		
5	Sticker	Ground symbol	179194		
6	Fan and motor (not shown)	Assembly	Refer to <a href="#">Table 6</a>		
7	Speed control (not shown)**	Fan	1047379	—	

\*The terminal block (item 2) is secured using two #8 sheet metal screws. The grounding lug (item 3) is secured using a #10 sheet metal screw and a self-tapping screw (item 4).

\*\*The fan speed control (item 8) is shipped with unit sizes 10/15–83/104 (not used on unit sizes 110/137 and 159/191), but its use and where to mount it is optional.

## HYDRONIC COIL ASSEMBLY COMPONENTS



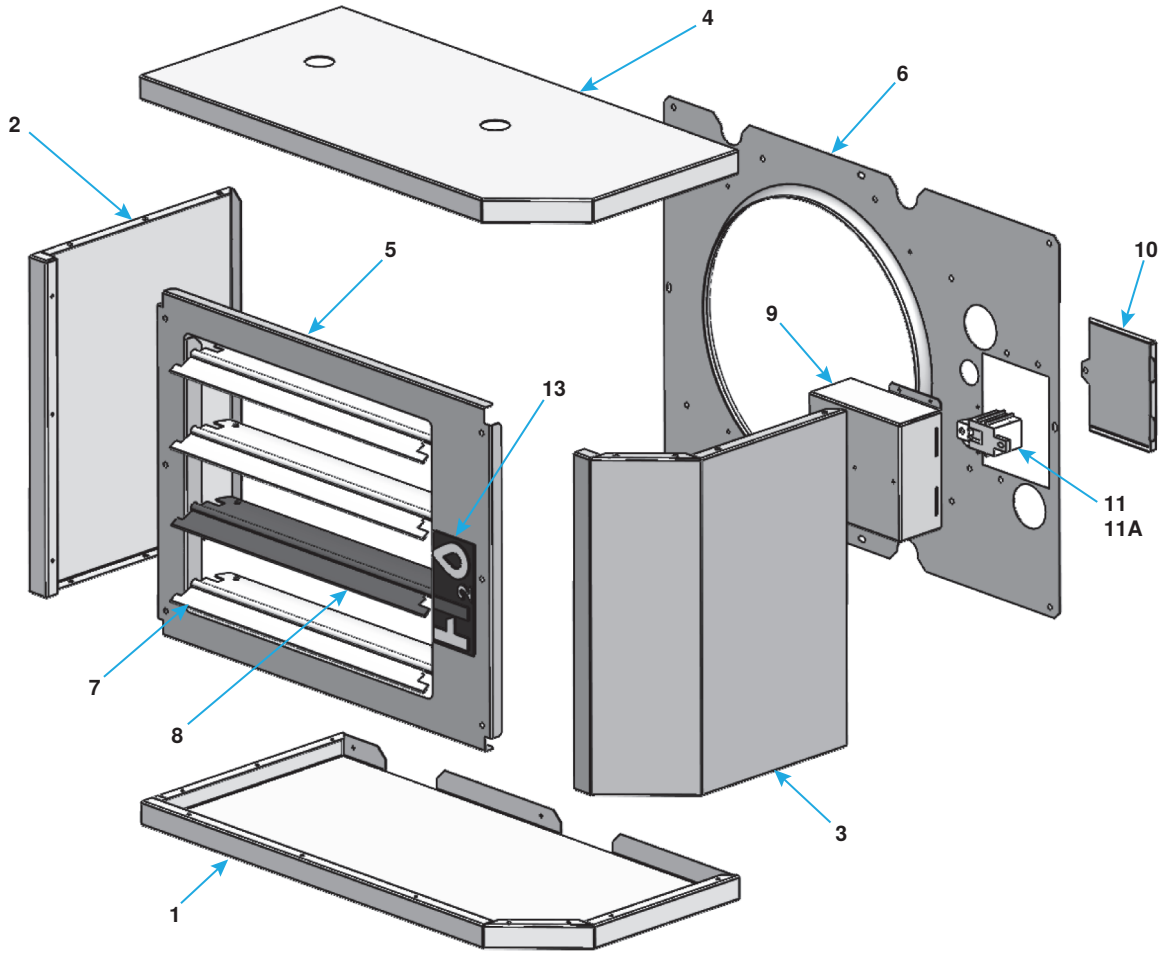
**Figure 2. Hydronic Coil Assembly (Refer to Table 3)**

<b>Table 3. Hydronic Coil Assembly Components</b>											
Item No.	Component	Description	Unit Size (MBTUh)								
			10/15	15/21	22/31	32/45	44/62	62/77	83/104	110/137	159/191
			PN (Quantity)*								
1	Hanger	Cage nut	1042897 (4)	1042812 (4)	1042862 (4)	1042828 (4)	1042898 (4)	1042899 (4)			
1A	Nut	Cage	096385 (6)								
2	Coil-mounting bracket	Horizontal	1042742 (2)	1042808 (2)	1042815 (2)	1042825 (2)	1042776 (2)	1042836 (2)	1042843 (2)	1042853 (2)	1042786 (2)
3		Vertical	1042741 (2)	1042807 (2)	1042814 (2)	1042824 (2)	1042775 (2)	1042835 (2)	1042842 (2)	1042852 (2)	1042785 (2)
4	Coil	Hydronic	1042792	1042793	1042794	1042795	1042796	1042797	1042798	1042799	1042800
5	Front duct	Top/bottom	1042743 (2)	1042809 (2)	1042816 (2)	1042827 (2)	1042778 (2)	1042838 (2)	1042844 (2)	1042855 (2)	1042788 (2)
6		Side	1042744 (2)	1042810 (2)	1042817 (2)	1042826 (2)	1042777 (2)	1042837 (2)	1042845 (2)	1042854 (2)	1042787 (2)
7	Gasket**	Duct	16391								
8	Screw	Sheet metal, #8	195638 (as required)								

\*Quantity is one (1) unless otherwise indicated.  
 \*\*Refer to Table 4 for length of gasket material.

<b>Table 4. Duct Gasket Length</b>								
Unit Size (MBTUh)								
10/15	15/21	22/31	32/45	44/62	62/77	83/104	110/137	159/191
Length (Inches)								
44	60	62	66	80	94	98	110	128

## CABINET COMPONENTS



**Figure 3. Cabinet Components (Refer to Table 5)**

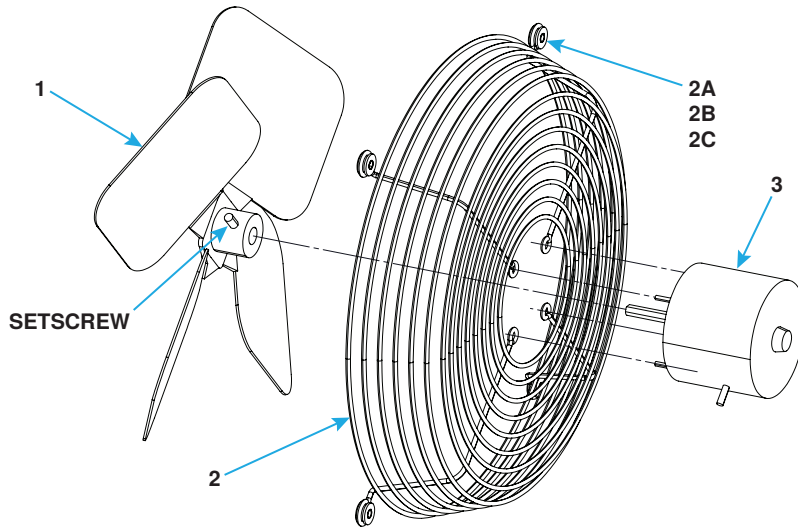
Table 5. Cabinet Components			Unit Size (MBTUh)								
Item No.	Component	Description	10/15	15/21	22/31	32/45	44/62	62/77	83/104	110/137	159/191
			PN (Quantity)*								
1	Panel	Bottom	1042736	1042802	1042802	1042819	1042770	1042830	1042830	1042847	1042780
2		Left side	1042738	1042804	1042804	1042821	1042772	1042832	1042832	1042849	1042782
3		Right side	1042737	1042803	1042803	1042820	1042771	1042831	1042831	1042848	1042781
4		Top	1042735	1042801	1042801	1042818	1042769	1042829	1042863	1042846	1042779
5		Face	1042740	1042806	1042806	1042823	1042774	1042834	1042858	1042851	1042784
6		Fan	1042739	1042805	1042813	1042822	1042773	1042833	1042841	1042850	1042783
7	Louver	Black	1042789 (3)	1042695 (4)	1042695 (4)	1042695 (5)	1036663 (6)	1042840 (7)	1033694 (7)	1042857 (8)	1042695 (20)
8		Red	1043072	1043079	1043079	1043079	1036664	1043071	1033959	1043073	1043079 (2)
9	Box	Electrical	Refer to <a href="#">Table 2</a>								
10	Door	Electrical box									
11	Block	Terminal									
11A	Mounting adapter	Terminal block									
12	Logo	Reznor**	1034239								
13		H2O badge	1043007								
14	Screw	Sheet metal, #8	195638 (as required)								

\*Quantity is one (1) unless otherwise indicated.

\*\*The Reznor logo (item 12, not shown) is not included with the right side panel (item 3) and must be ordered separately.

## FAN AND MOTOR ASSEMBLY COMPONENTS

**NOTE: Refer to the installation, operation, and maintenance manual provided with the unit for specific fan replacement instructions.**



**Figure 4. Fan and Motor Assembly (Refer to Table 6)**

<b>Table 6. Fan and Motor Assembly Components</b>											
Item No.	Component	Description	Unit Size (MBTUh)								
			10/15	15/21	22/31	32/45	44/62	62/77	83/104	110/137	159/191
1	Propeller	Fan	195645	1047118	195647	195648	195678	195681	195683	1047437	
2	Guard		175266	175267	195047	170084	170085	170086			
2A	Isolator	Fan guard (quantity 4)	196348								
2B	Bushing		196349								
2C	Screw		Sheet metal, #10-16 × 3/4, AB hex head, zinc-plated (torque to 30 inch-pounds)	Sheet metal, 1/4-14 × 1-1/4, B hex head, zinc-plated (torque to 30 inch-pounds)							
3	Fan motor	TEFC	203310			203724	196824			1047162	
3A	Locknut	Fan motor (quantity 4)	#8-32, with nylon insert (torque to 30 inch-pounds)								
3B	Flat washer		3/4 OD × 3/16 ID × 0.125 thick								
3C	Spacer		—								

NOTE: Hardware listed without a PN is field-supplied. Setscrew torque = 80 (±10) inch-pounds for unit sizes 10/15–22/31, 120 (±10) inch-pounds for unit sizes 32/45 and 44/62, or 130 (±10) inch-pounds for unit sizes 62/77–159/191.

## ACCESSORIES/OPTIONS

### Vertical Louver Kits (Option CD1)

#### NOTES:

- Refer to the vertical louver kit installation manual provided with the kit for components and installation instructions.
- When installed, vertical louvers must be adjusted to achieve the desired airflow pattern.

Table 7. Vertical Louver Kits								
Unit Size (MBTUh)								
10/15	15/21	22/31	32/45	44/62	62/77	83/104	110/137	159/191
Kit PN								
1047171	1047172	1047172	1047173	1047174	1047175	1047176	1047177	1047178

### Downturn Nozzle Kits (Options CD2, CD3, CD4, and CD5)

#### NOTES:

- The downturn nozzle assembly (option CD2, CD3, CD4, or CD5) consists of one or two 30-degree nozzles. Options CD3 and CD5 provide 60-degree air deflection (may vary with louver adjustment).
- Refer to the downturn nozzle kit installation manual provided with the kit for components and installation instructions.

Table 8. Downturn Nozzle Kits									
Option	Unit Size (MBTUh)								
	10/15	15/21	22/31	32/45	44/62	62/77	83/104	110/137	159/191
	Kit PN								
CD2	1047179	1047180	1047180	1047181	1047182	1047183	1047184	1047185	1047186
CD3	1047187	1047188	1047188	1047189	1047190	1047191	1047192	1047193	1047194
CD4	1047195	1047196	1047196	1047197	1047198	1047199	1047200	1047201	1047202
CD5	1047203	1047204	1047204	1047205	1047206	1047207	1047208	1047209	1047210

### Thermostat (Option CL5)



Figure 5. Thermostat

Table 9. Thermostat			
Option	Component	Description	PN
CL5	Single-stage thermostat	115V, 40–80°F, DPST	270715
	Locking cover	Option CM1	257464

## ACCESSORIES/OPTIONS—CONTINUED

### Thermostat Bracket Kit (Option CM3)

**NOTE:** Remove and save the existing cabinet screw as shown and use it and the screw from the kit to secure the bracket parallel to the bottom cabinet panel.

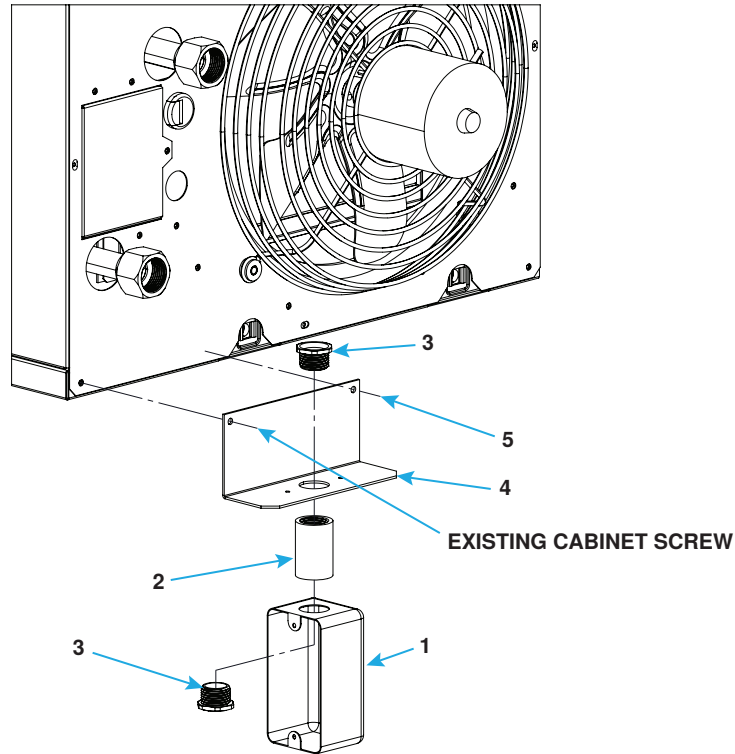


Figure 6. Thermostat Bracket Kit (Refer to [Table 10](#))

Table 10. Thermostat Bracket Kit (PN 197077) Components			
Item No.	Component	PN	Quantity
1	Electrical box, 2 × 4	17782	1
2	Coupling, conduit connector, 1/2	7447	1
3	Chase nipple, 1/2	3618	2
4	Bracket	197072	1
5	Screw, self-tapping	195249	1

