

<b>Part No.</b>	<b>Reference No.</b>	<b>Quantity</b>	<b>Description</b>
75002605#UHWAUP1A~S	*		COMMON PARTS
75001748#UHWAUP1A~S	*		MODEL NUMBER DESCRIPTION
TCUHWAUP1A00_UHWAUP1A_2 21688~P	*		UHWAUP1A PARTS LIST

NO GRAPHIC AVAILABLE

75013702

REV  
A

**NO  
GRAPHIC  
AVAILABLE**



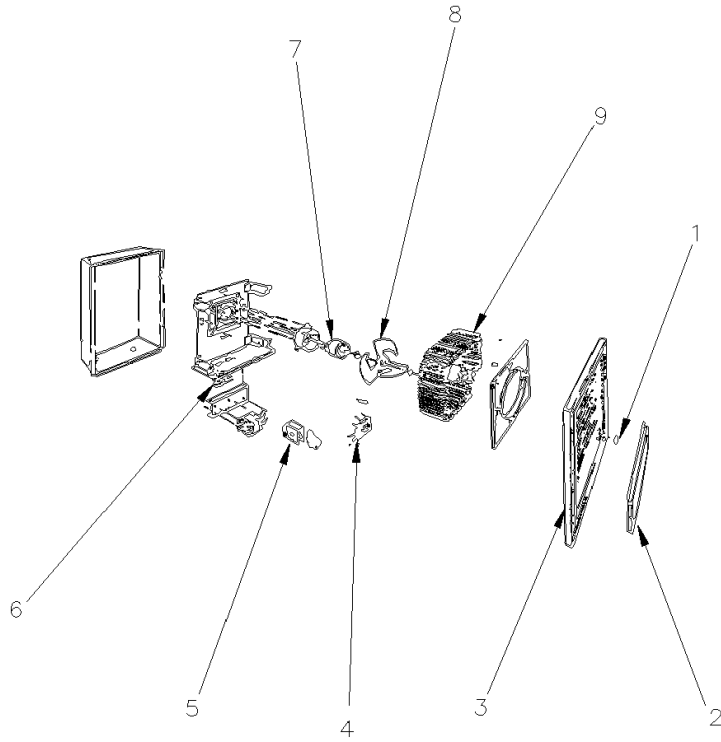
Part No.	Reference No.	Quantity	Description
75001748_UHWAUP1A_221691~ P	*		MODEL NUMBER DESCRIPTION PARTS LIST



COMMON PARTS  
SERIES 20 SURFACE MOUNTED

75002605

REV  
A



COMMON PARTS

Parts List Number :TCUHWAUP1A00#UHWAUP1A

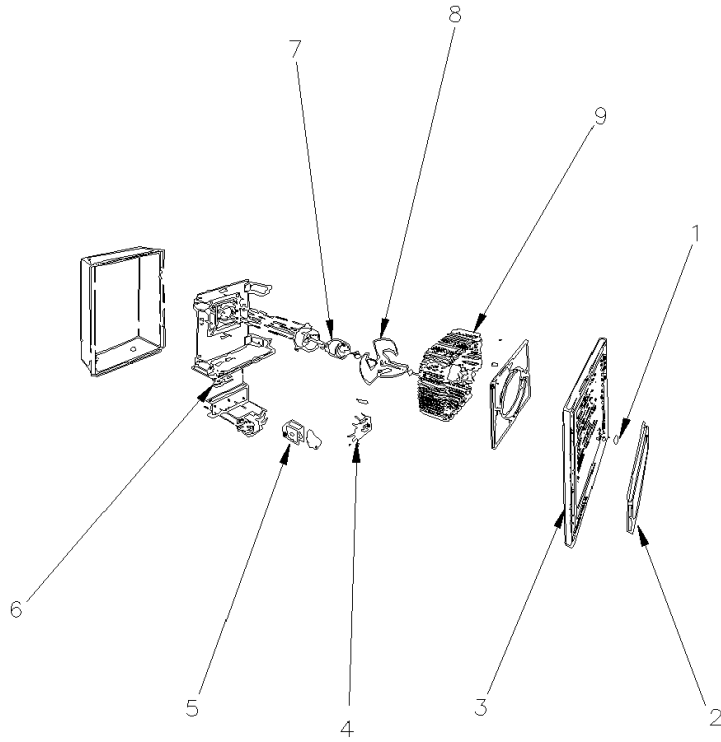
Model Number :UHWA051A2AT

Part No.	Reference No.	Quantity	Description
75002605_UHWAUP1A_263917~ P	*		COMMON PARTS

COMMON PARTS  
SERIES 20 SURFACE MOUNTED

75002605

REV  
A



Part No.	Reference No.	Quantity	Description
BOX00266	*	1	BOX;HEATER
SLV00068	*	1	SLEEVE; 4 1/2" EXTENSION FOR FULL SURFACE MOUNTING,SERIES 20
SLV00069	*	1	SLEEVE;2IN.EXTENSION FOR SEMI-RECESS// MOUNTING, SERIES 20
SLV00070	*	1	SLEEVE;1IN.EXTENSION FOR SEMI-RECESS// MOUNTING, SERIES 20
COV01074	2	1	COVER;TAMPERPROOF
GRL00299	3	1	GRILLE;FRONT ASSEMBLY
BKR00602	4	1	BREAKER; CIRCUIT, 208-240V, 3 PHASE
BKR00603	4	1	BREAKER;CIRCUIT, 208-240V, 1 PHASE
BKR00604	4	1	BREAKER;CIRCUIT, 277V, 50-60 HZ, CIRCUIT BRKR, ON/OFF TOGGLE
COV01072	4	1	COVER;TAMPERPROOF KIT FOR THT-700
CTR00682	4	1	CONTACTOR;LOW VOLTAGE, INCLUDES 24V COIL
CTR00683	4	1	CONTACTOR;LOW VOLTAGE, INCLUDES 120V COIL
CTR00684	4	1	CONTACTOR;LINE VOLTAGE, INCLUDES 208V COIL
CTR00685	4	1	CONTACTOR;LINE VOLTAGE, INCLUDES 240V COIL
CTR00686	4	1	CONTACTOR;LINE VOLTAGE, INCLUDES 277V COIL
CTR00687	4	1	CONTACTOR;LOW VOLTAGE, INCLUDES 24V// COIL
CTR00688	4	1	CONTACTOR;LOW VOLTAGE, INCLUDES// 120V COIL
CTR00689	4	1	CONTACTOR;LINE VOLTAGE, INCLUDES// 208/240V COIL
CTR00690	4	1	CONTACTOR;LINE VOLTAGE, INCLUDES// 277V COIL
THT00698	4	1	THERMOSTAT-WALL MOUNTED LINE VOLTAGE, DPST 25 AMP
THT00699	4	1	THERMOSTAT; WALL, LINE VOLTAGE
THT00700	4	1	THERMOSTAT;WALL MOUNTED LINE VOLTAGE, DPST 30 AMP
THT00701	4	1	THERMOSTAT; WALL, LINE VOLTAGE
THT00702	4	1	THERMOSTAT;WALL MOUNTED LINE VOLTAGE, SPST 25 AMP
THT00704	4	1	THERMOSTAT; 208/240V LINE VOLTAGE, USED ON UHWA UNITS, DOES NOT INCLUDE KNOB
THT00705	4	1	THERMOSTAT; BUILT IN, 9 INCH CAPILLARY, SP22A
THT00706	4	1	THERMOSTAT; 208-240V,
TRR00601	4	1	TRANSFORMER; 208V UNITS, 24V SECONDARY
TRR00602	4	1	TRANSFORMER; 208V UNIT, 120V SECONDARY
TRR00603	4	1	TRANSFORMER; 240V UNITS, 24V SECONDARY
TRR00604	4	1	TRANSFORMER; 240V UNIT, 120V SECONDARY
TRR00605	4	1	TRANSFORMER; 277V UNITS, 24V SECONDARY
TRR00606	4	1	TRANSFORMER; 277V UNIT, 120V SECONDARY
CTR00682	5	1	CONTACTOR;LOW VOLTAGE, INCLUDES 24V COIL
CTR00683	5	1	CONTACTOR;LOW VOLTAGE, INCLUDES 120V COIL
CTR00684	5	1	CONTACTOR;LINE VOLTAGE, INCLUDES 208V COIL
CNT01110	6	1	CONTROL; HI LIMIT 208V-240V
MOT03133	7	1	MOTOR, 208V
BLD00616	8	1	BLADE;FAN
ELM00820	9	1	ELEMENT;HEATER
KNB00055	13	1	KNOB; THERMOSTAT, BLK