

<b>Part No.</b>	<b>Reference No.</b>	<b>Quantity</b>	<b>Description</b>
75002606#UHWAUP1A~S	*		COMMON PARTS
75001748#UHWAUP1A~S	*		MODEL NUMBER DESCRIPTION
TCUHWAUP1A00_UHWAUP1A_2 21688~P	*		UHWAUP1A PARTS LIST

NO GRAPHIC AVAILABLE

75013702

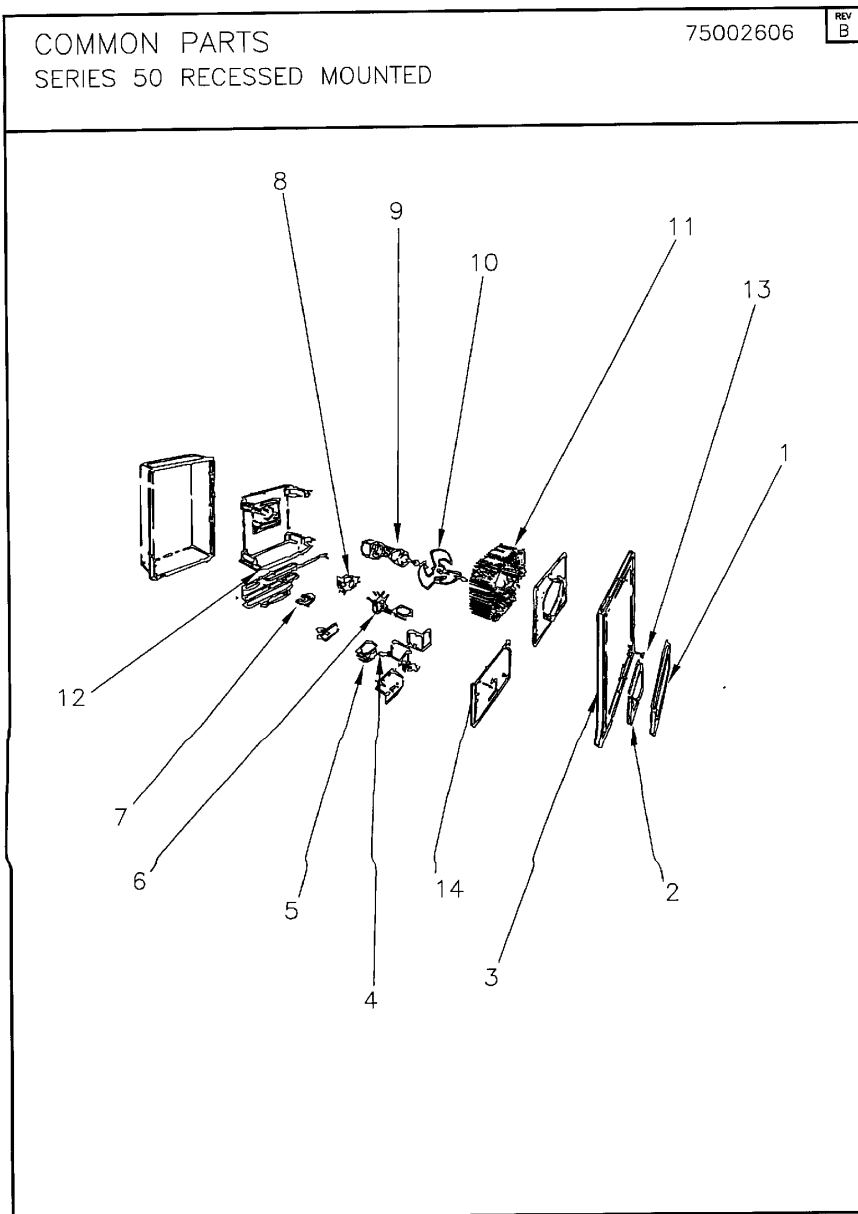
REV  
A

**NO  
GRAPHIC  
AVAILABLE**



Part No.	Reference No.	Quantity	Description
75001748_UHWAUP1A_221691~ P	*		MODEL NUMBER DESCRIPTION PARTS LIST



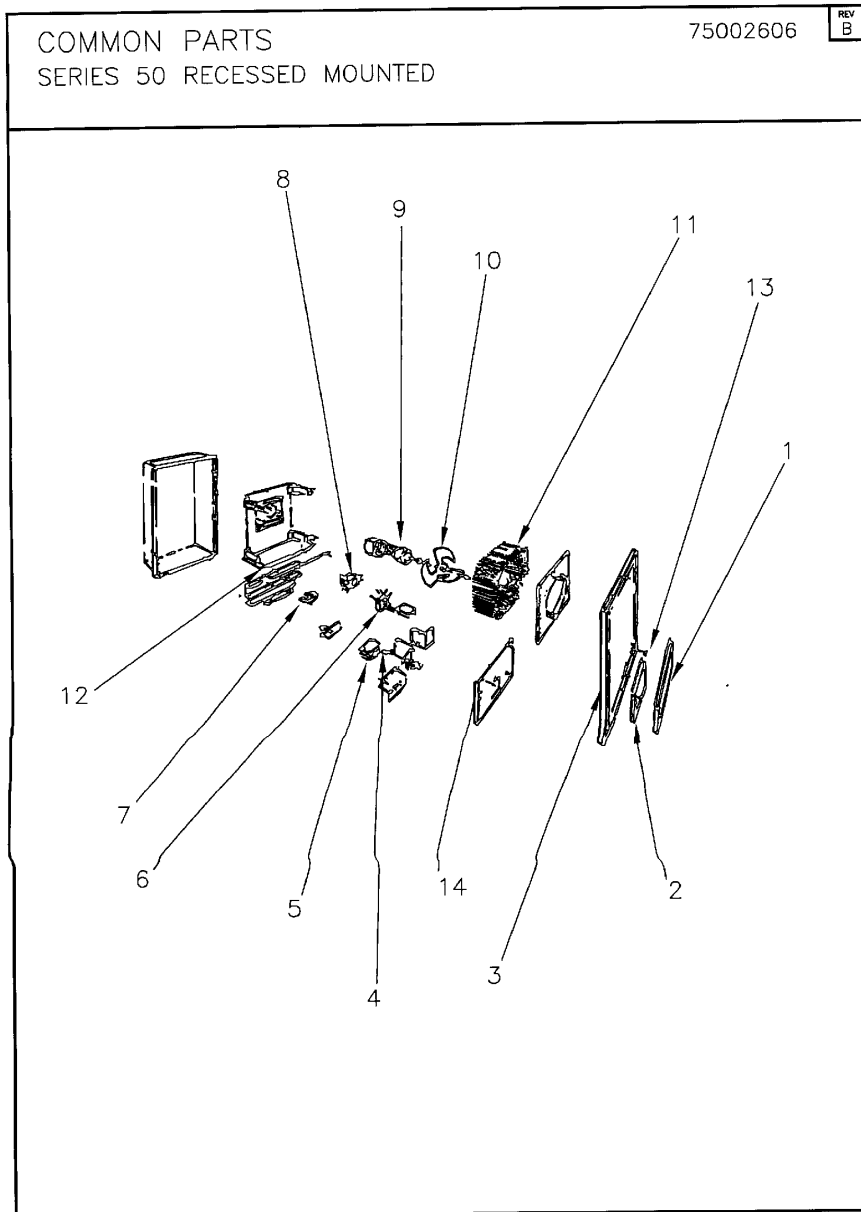


COMMON PARTS

Parts List Number :TCUHWAUP1A00#UHWAUP1A

Model Number :UHWA021C5AT

Part No.	Reference No.	Quantity	Description
75002606_UHWAUP1A_301549~ P	*		COMMON PARTS



Part No.	Reference No.	Quantity	Description
BOX00267	*	1	BOX;HEATER
KIT01391	*	1	KIT;ENVELOPE, (SCREWS, HARDWARE) FOR MANUAL MODEL
KIT01392	*	1	KIT;ENVELOPE (SCREWS, HARDWARE) FOR THERMOSTAT MODEL
SLV00071	*	1	SLEEVE;4 1/2IN.EXTENSION FOR FULL SURFACE MOUNTING,SERIES 50
SLV00072	*	1	SLEEVE;2IN.EXTENSION FOR SEMI-RECESS// MOUNTING, SERIES 50
SLV00073	*	1	SLEEVE;1IN.EXTENSION FOR SEMI-RECESS// MOUNTING, SERIES 50
COV01075	1	1	COVER;TAMPERPROOF
KNB00055	1	1	KNOB; THERMOSTAT, BLK
COV01076	2	1	COVER;PARTIAL TAMPERPROOF
GRL00300	3	1	GRILLE;FRONT ASSEMBLY
SWT00834	4	1	SWITCH; A 4208 AUXILIARY
BKR00604	5	1	BREAKER;CIRCUIT, 277V, 50-60 HZ, CIRCUIT BRKR, ON/OFF TOGGLE
THT00705	6	1	THERMOSTAT; BUILT IN, 9 INCH CAPILLARY, SP22A
TRR00605	7	1	TRANSFORMER; 277V UNITS, 24V SECONDARY
TRR00606	7	1	TRANSFORMER; 277V UNIT, 120V SECONDARY
CTR00687	8	1	CONTACTOR;LOW VOLTAGE, INCLUDES 24V// COIL
CTR00688	8	1	CONTACTOR;LOW VOLTAGE, INCLUDES// 120V COIL
CTR00690	8	1	CONTACTOR;LINE VOLTAGE, INCLUDES// 277V COIL
MOT03135	9	1	MOTOR, 277V
BLD00616	10	1	BLADE;FAN
ELM00825	11	1	ELEMENT;HEATER
CNT01111	12	1	CONTROL; HI LIMIT 277V