

Parts List Number :UHSBUP1

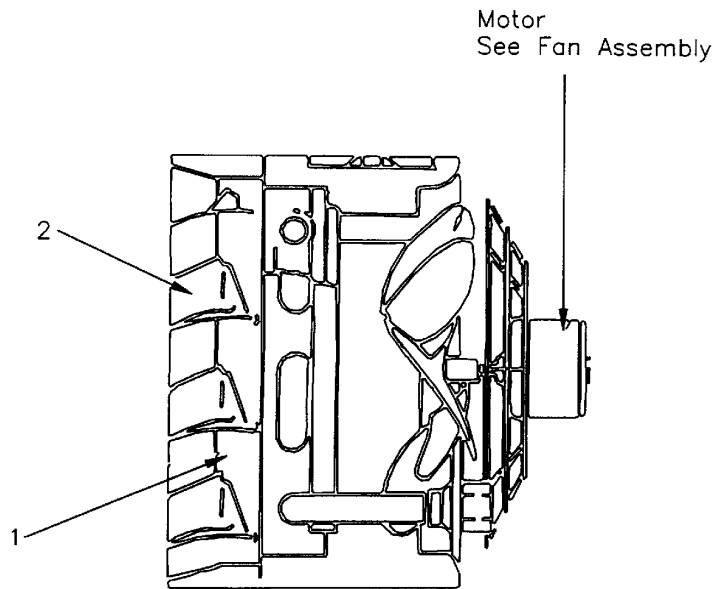
Model Number :UHSB1201TA00000000A

Part No.	Reference No.	Quantity	Description
75000089	SEC 1		COIL S
75008736	SEC 2		MODEL NUMBER DESCRIPTION
75000088	SEC 3		FAN ASSEMBLY
UHSB1003	SEC 6		PANELS
UHSB1004	SEC 7		CONTROL ACCESSORIES

COIL ASSEMBLY & FIN DIFFUSER

75000089

REV
A



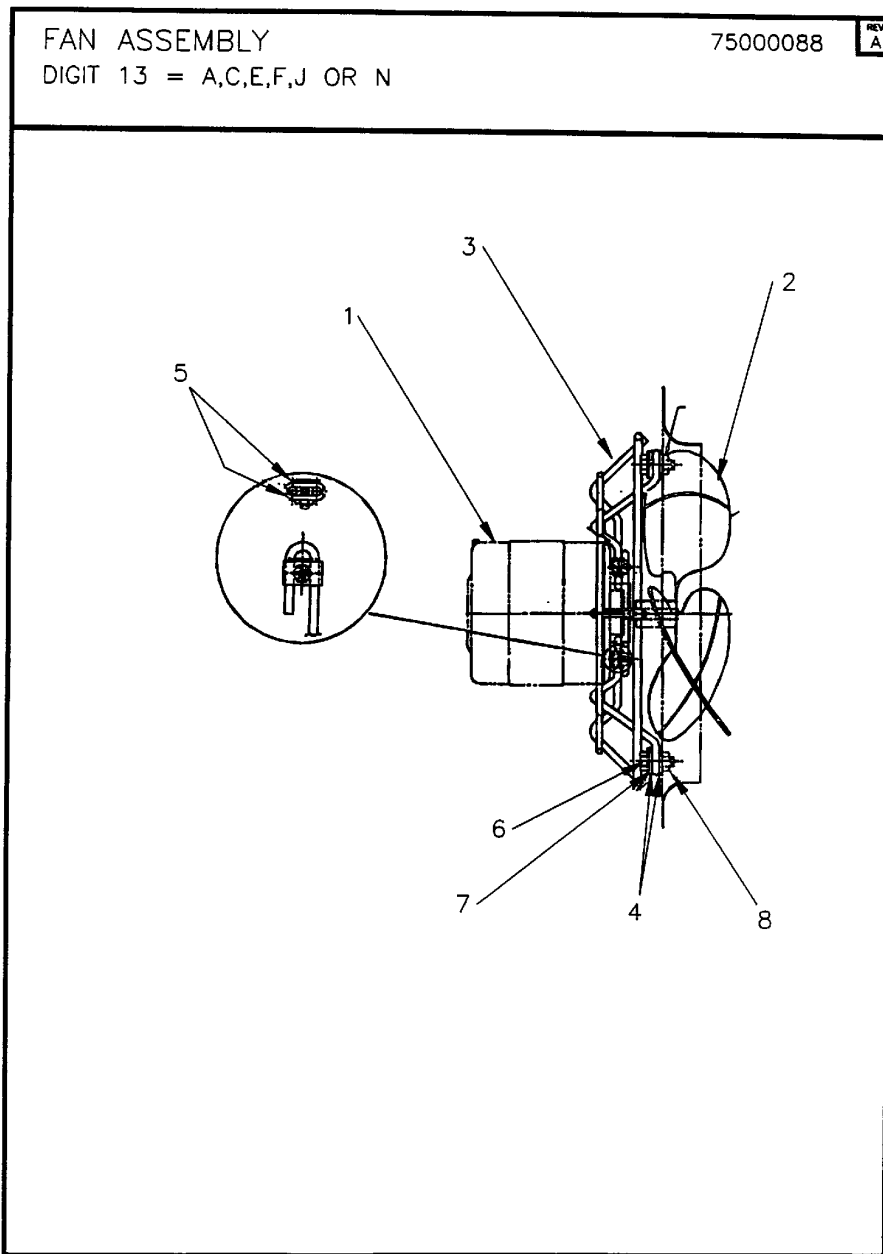
COIL S

Parts List Number :UHSBUP1

Model Number :UHSB1201TA00000000A

Part No.	Reference No.	Quantity	Description
COL14977	1	1	COIL; ASSEMBLY FOR UNIT SIZE 120

MODEL NUMBER DESCRIPTION		75008736	REV A
UHPB, UHSB			
Digit 1,2,3 - Product Type UHP, UHS		Digit 11 - Tube Material A = Copper* B = Steel(P Only)	
Digit 4 - Development Sequence B		Digit 12 - Fan Guard 1 - OSHA Fan Guard 2 - Std Fan Guard (3 phase or Expl. Proof mtrs. only) 3 - Std Fan Guard (Unit Cap. 240-360)	
Digit 5,6,7 - Capacity/Coil Type Hot Water Only(Coil Type A "serpentine") A08 - 8,030 BTU A18 - 18,400 BTU/HR A25 - 24,800 BTU/HR A36 - 35,900 BTU/HR		Digit 13 - Special Coating 0 = No Special Coating A = Phenolic Coating(Baked) B = Epoxy C = Epoxy Phenolic	
018 18,000 BTU/HR 132 132,000 BTU/HR 024 24,000 BTU/HR 144 144,000 BTU/HR 036 36,000 BTU/HR 156 156,000 BTU/HR 048 48,000 BTU/HR 180 180,000 BTU/HR 060 60,000 BTU/HR 204 204,000 BTU/HR 072 72,000 BTU/HR 240 240,000 BTU/HR 084 84,000 BTU/HR 280 280,000 BTU/HR 096 96,000 BTU/HR 300 300,000 BTU/HR 108 108,000 BTU/HR 360 360,000 BTU/HR 120 120,000 BTU/HR		Digit 14 - Disconnect Switch 0 = None 1 = Disconnect Switch	
Digit 5,6,7 - Capacity Steam or Hot Water		Digit 15 - Thermostats(Line Voltage) 0 = None A = Light Duty TSTAT w/subbase Line Volts 8 Amps B = Heavy Duty TSTAT w/subbase & locking cover Line Volts 16 Amps+A32	
042 42,000 BTU/HR 252 252,000 BTU/HR 054 54,000 BTU/HR 280 280,000 BTU/HR 060 60,000 BTU/HR 336 336,000 BTU/HR 102 102,000 BTU/HR 384 384,000 BTU/HR 122 122,000 BTU/HR 500 500,000 BTU/HR 146 146,000 BTU/HR 600 600,000 BTU/HR 166 166,000 BTU/HR 720 720,000 BTU/HR 202 202,000 BTU/HR		Digit 16 - Thermostat Cover 0 = None A = Locking Thermostat Cover	
Digit 8 - Voltage 1 = 115/1/60 3 = 230/1/60 (115 V MTR/W/TRANSF) 4 = 208/3/60 5 = 230/3/60 5 = 460/3/60 7 = 575/60/3 (Totally Enclosed(P only)		Digit 17 - Manual Starter 0 = None A = Manual Starter	
Digit 9 - Motor Type T = Totally Enclosed E = Explosion Proof		Digit 18 - Steam and Hot Water Control 0 = None 1 = Strap on Hot Water Control 2 = Steam Pressure Control(open on rise in pressure) 3 = Steam Pressure Control(closed on rise in pressure) 4 = 5.0 Amp Speed Control Switch (Capacities 18 -120 only)	
Digit 10 - Design Sequence A		Digit 19 - Vertical Louver 0 = None A - Vertical Louver B - Fin Diffuser(p Only) C - Fin Diffuser w/coating (ponly)	



Part No.	Reference No.	Quantity	Description
SPG00194	*	1	SPRING; CONE, ADJUSTABLE LOUVERS FOR HORZ. AND VERT.(ORDER QTY EQUALS PIECES)
MOT01516	1	1	MOTOR; 1/6 HP, 115/60/1, 1140 RPM, 5/8 INCH SHAFT, BALL BEARING, 56 FRAME, EXPLOSION ROOF, 6.54 DIA, 13.34 LENGTH, 3.7 AMP
MOT03782	1	1	MOTOR; 1/3 HP, 115/60/1, 1140 RPM, TE
FAN03962	2	1	FAN; 18 IN. DIA. 1/2 IN. BORE, 26 DEGREE PITCH(2.62 WIDE)
GRD00434	3	1	GUARD; FAN, FOR-PROPELLER & MOTOR, PAINT-GREY, P-7/10 & 14/16-1874 SAME AS GRD0311 EXCEPT PAINT COLOR GREY
GRD01653	3	1	GUARD; OSHA FAN FOR 18 IN. FANS

Part No.	Reference No.	Quantity	Description
PNL25575	1	1	PANEL; BOTTOM JACKET FOR UNIT SIZE 120
PNL25576	1	1	PANEL; BOTTOM JACKET FOR UNIT SIZE 132, 144 AND 156
PNL25587	2	1	PANEL; TOP JACKET FOR UNIT SIZE 120
PNL25588	2	1	PANEL; TOP JACKET FOR UNIT SIZES 132, 144, 156
PNL25600	3	1	PANEL; BACK FOR UNIT SIZE 120
PNL25601	3	1	PANEL; BACK FOR UNIT SIZE 132, 144 AND 156

CONTROL ACCESSORIES

Parts List Number :UHSBUP1

Model Number :UHSB1201TA00000000A