

Parts List Number :UHSBUP1#UHSBUP1

Model Number :UHSB0966TAA20000000

Part No.	Reference No.	Quantity	Description
75000089#UHSBUP1~S	*		COIL S
UHSB1004#UHSBUP1~S	*		CONTROL ACCESSORIES
75000088#UHSBUP1~S	*		FAN ASSEMBLY
75008736#UHSBUP1~S	*		MODEL NUMBER DESCRIPTION
UHSB1003#UHSBUP1~S	*		PANELS
UHSBUP1_UHSBUP1_101359~P	*		UHSBUP1 PARTS LIST

NO GRAPHIC AVAILABLE

75013702

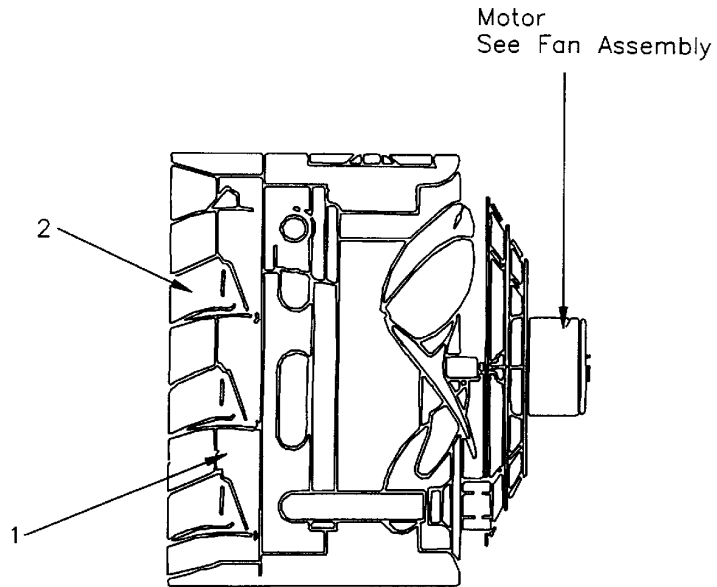
REV
A

**NO
GRAPHIC
AVAILABLE**

COIL ASSEMBLY & FIN DIFFUSER

75000089

REV
A



COIL S

Parts List Number :UHSBUP1#UHSBUP1

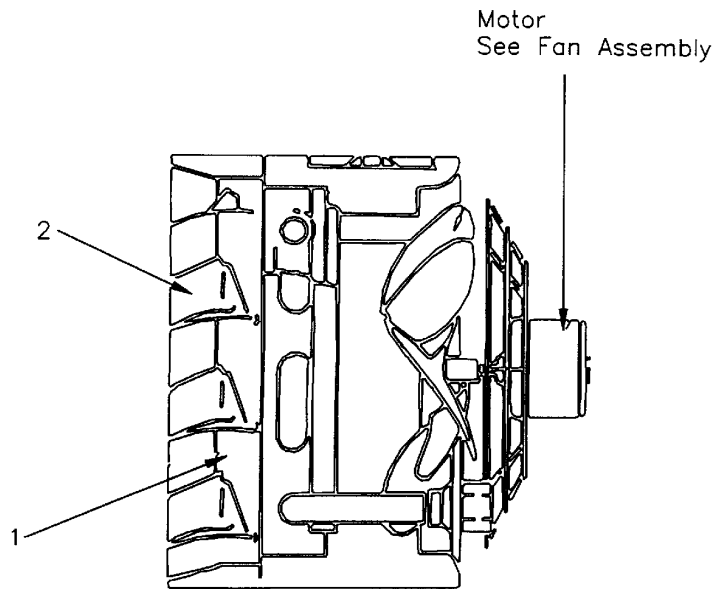
Model Number :UHSB0966TAA20000000

Part No.	Reference No.	Quantity	Description
75000089_UHSBUP1_125221~P	*		COIL S PARTS LIST

COIL ASSEMBLY & FIN DIFFUSER

75000089

REV
A



COIL S PARTS LIST

Parts List Number :UHSBUP1#UHSBUP1

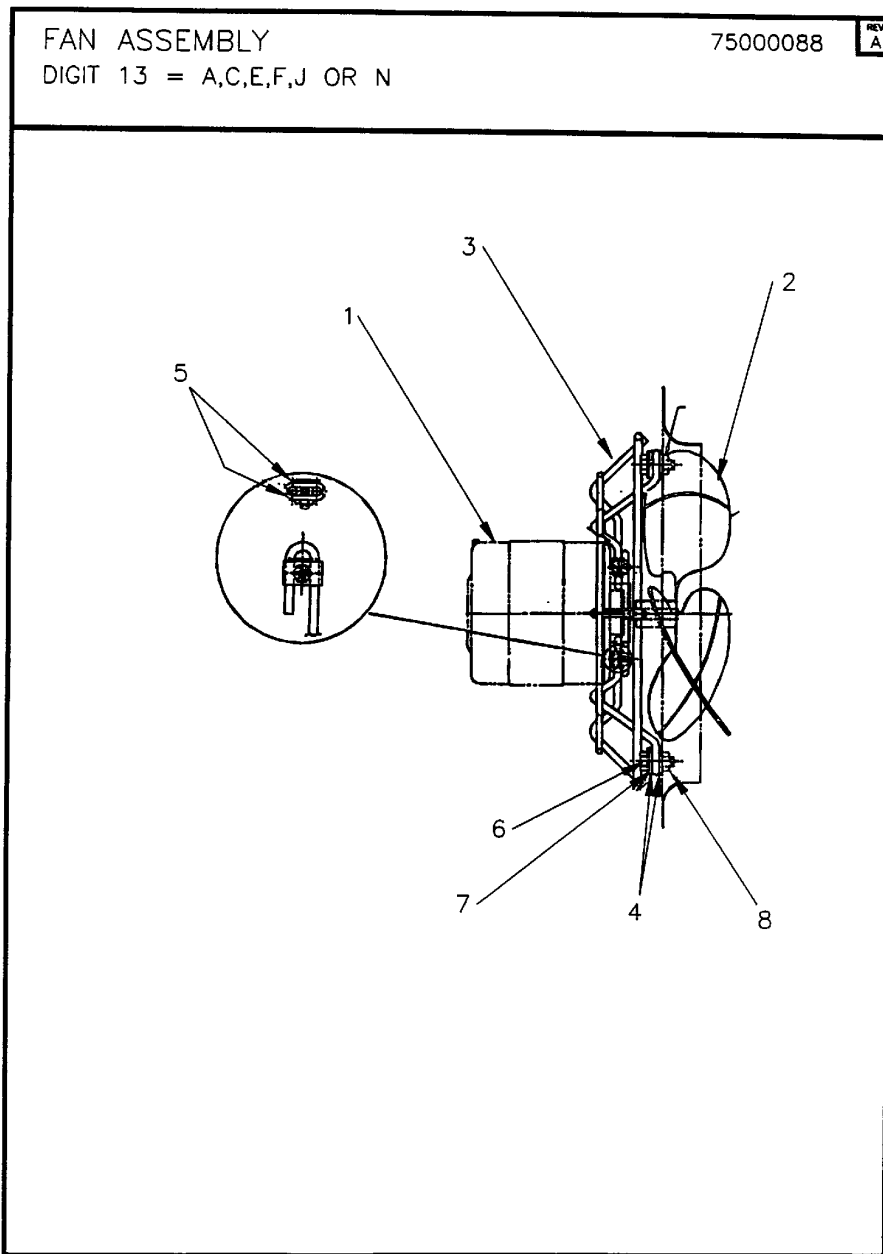
Model Number :UHSB0966TAA20000000

Part No.	Reference No.	Quantity	Description
COL14976	1	1	COIL; ASSEMBLY FOR UNIT SIZE 096 ADN 108

MODEL NUMBER DESCRIPTION	75008736	REV A																																								
UHPB, UHSB																																										
Digit 1,2,3 - Product Type UHP, UHS	Digit 11 - Tube Material A = Copper* B = Steel(P Only)																																									
Digit 4 - Development Sequence B	Digit 12 - Fan Guard 1 - OSHA Fan Guard 2 - Std Fan Guard (3 phase or Expl. Proof mtrs. only) 3 - Std Fan Guard (Unit Cap. 240-360)																																									
Digit 5,6,7 - Capacity/Coil Type Hot Water Only(Coil Type A "serpentine" A0B - 8,030 BTU A1B - 18,400 BTU/HR A2S - 24,800 BTU/HR A3B - 35,900 BTU/HR	Digit 13 - Special Coating 0 = No Special Coating A = Phenolic Coating(Baked) B = Epoxy C = Epoxy Phenolic																																									
<table border="0"> <tr><td>01B</td><td>18,000 BTU/HR</td><td>132</td><td>132,000 BTU/HR</td></tr> <tr><td>024</td><td>24,000 BTU/HR</td><td>144</td><td>144,000 BTU/HR</td></tr> <tr><td>036</td><td>36,000 BTU/HR</td><td>156</td><td>156,000 BTU/HR</td></tr> <tr><td>04B</td><td>48,000 BTU/HR</td><td>180</td><td>180,000 BTU/HR</td></tr> <tr><td>060</td><td>60,000 BTU/HR</td><td>204</td><td>204,000 BTU/HR</td></tr> <tr><td>072</td><td>72,000 BTU/HR</td><td>240</td><td>240,000 BTU/HR</td></tr> <tr><td>084</td><td>84,000 BTU/HR</td><td>280</td><td>280,000 BTU/HR</td></tr> <tr><td>096</td><td>96,000 BTU/HR</td><td>300</td><td>300,000 BTU/HR</td></tr> <tr><td>108</td><td>108,000 BTU/HR</td><td>360</td><td>360,000 BTU/HR</td></tr> <tr><td>120</td><td>120,000 BTU/HR</td><td></td><td></td></tr> </table>	01B	18,000 BTU/HR	132	132,000 BTU/HR	024	24,000 BTU/HR	144	144,000 BTU/HR	036	36,000 BTU/HR	156	156,000 BTU/HR	04B	48,000 BTU/HR	180	180,000 BTU/HR	060	60,000 BTU/HR	204	204,000 BTU/HR	072	72,000 BTU/HR	240	240,000 BTU/HR	084	84,000 BTU/HR	280	280,000 BTU/HR	096	96,000 BTU/HR	300	300,000 BTU/HR	108	108,000 BTU/HR	360	360,000 BTU/HR	120	120,000 BTU/HR			Digit 14 - Disconnect Switch 0 = None 1 = Disconnect Switch	
01B	18,000 BTU/HR	132	132,000 BTU/HR																																							
024	24,000 BTU/HR	144	144,000 BTU/HR																																							
036	36,000 BTU/HR	156	156,000 BTU/HR																																							
04B	48,000 BTU/HR	180	180,000 BTU/HR																																							
060	60,000 BTU/HR	204	204,000 BTU/HR																																							
072	72,000 BTU/HR	240	240,000 BTU/HR																																							
084	84,000 BTU/HR	280	280,000 BTU/HR																																							
096	96,000 BTU/HR	300	300,000 BTU/HR																																							
108	108,000 BTU/HR	360	360,000 BTU/HR																																							
120	120,000 BTU/HR																																									
Digit 5,6,7 - Capacity Steam or Hot Water	Digit 15 - Thermostats(Line Voltage) 0 = None A = Light Duty TSTAT w/subbase Line Volts 8 Amps B = Heavy Duty TSTAT w/subbase & locking cover Line Volts 16 Amps+A32																																									
<table border="0"> <tr><td>042</td><td>42,000 BTU/HR</td><td>252</td><td>252,000 BTU/HR</td></tr> <tr><td>064</td><td>64,000 BTU/HR</td><td>280</td><td>280,000 BTU/HR</td></tr> <tr><td>080</td><td>80,000 BTU/HR</td><td>336</td><td>336,000 BTU/HR</td></tr> <tr><td>102</td><td>102,000 BTU/HR</td><td>384</td><td>384,000 BTU/HR</td></tr> <tr><td>122</td><td>122,000 BTU/HR</td><td>500</td><td>500,000 BTU/HR</td></tr> <tr><td>146</td><td>146,000 BTU/HR</td><td>600</td><td>600,000 BTU/HR</td></tr> <tr><td>168</td><td>168,000 BTU/HR</td><td>720</td><td>720,000 BTU/HR</td></tr> <tr><td>202</td><td>202,000 BTU/HR</td><td></td><td></td></tr> </table>	042	42,000 BTU/HR	252	252,000 BTU/HR	064	64,000 BTU/HR	280	280,000 BTU/HR	080	80,000 BTU/HR	336	336,000 BTU/HR	102	102,000 BTU/HR	384	384,000 BTU/HR	122	122,000 BTU/HR	500	500,000 BTU/HR	146	146,000 BTU/HR	600	600,000 BTU/HR	168	168,000 BTU/HR	720	720,000 BTU/HR	202	202,000 BTU/HR			Digit 16 - Thermostat Cover 0 = None A = Locking Thermostat Cover									
042	42,000 BTU/HR	252	252,000 BTU/HR																																							
064	64,000 BTU/HR	280	280,000 BTU/HR																																							
080	80,000 BTU/HR	336	336,000 BTU/HR																																							
102	102,000 BTU/HR	384	384,000 BTU/HR																																							
122	122,000 BTU/HR	500	500,000 BTU/HR																																							
146	146,000 BTU/HR	600	600,000 BTU/HR																																							
168	168,000 BTU/HR	720	720,000 BTU/HR																																							
202	202,000 BTU/HR																																									
Digit 8 - Voltage 1 = 115/1/60 3 = 230/1/60 (115 V MTR/W/TRANSF) 4 = 208/3/60 5 = 230/3/60 5 = 460/3/60 7 = 575/60/3 (Totally Enclosed(P only)	Digit 17 - Manual Starter 0 = None A= Manual Starter																																									
Digit 9 - Motor Type T = Totally Enclosed E = Explosion Proof	Digit 18 - Steam and Hot Water Control 0 = None 1 = Strap on Hot Water Control 2 = Steam Pressure Control(open on rise in pressure) 3 = Steam Pressure Control(closed on rise in pressure) 4 = 5.0 Amp Speed Control Switch (Capacities 18 -120 only)																																									
Digit 10 - Design Sequence A	Digit 19 - Vertical Louver 0 = None A - Vertical Louver B - Fin Diffuser(p Only) C - Fin Diffuser w/coating (ponly)																																									

Part No.	Reference No.	Quantity	Description
75008736_UHSBUP1_101368~P	*		MODEL NUMBER DESCRIPTION PARTS LIST

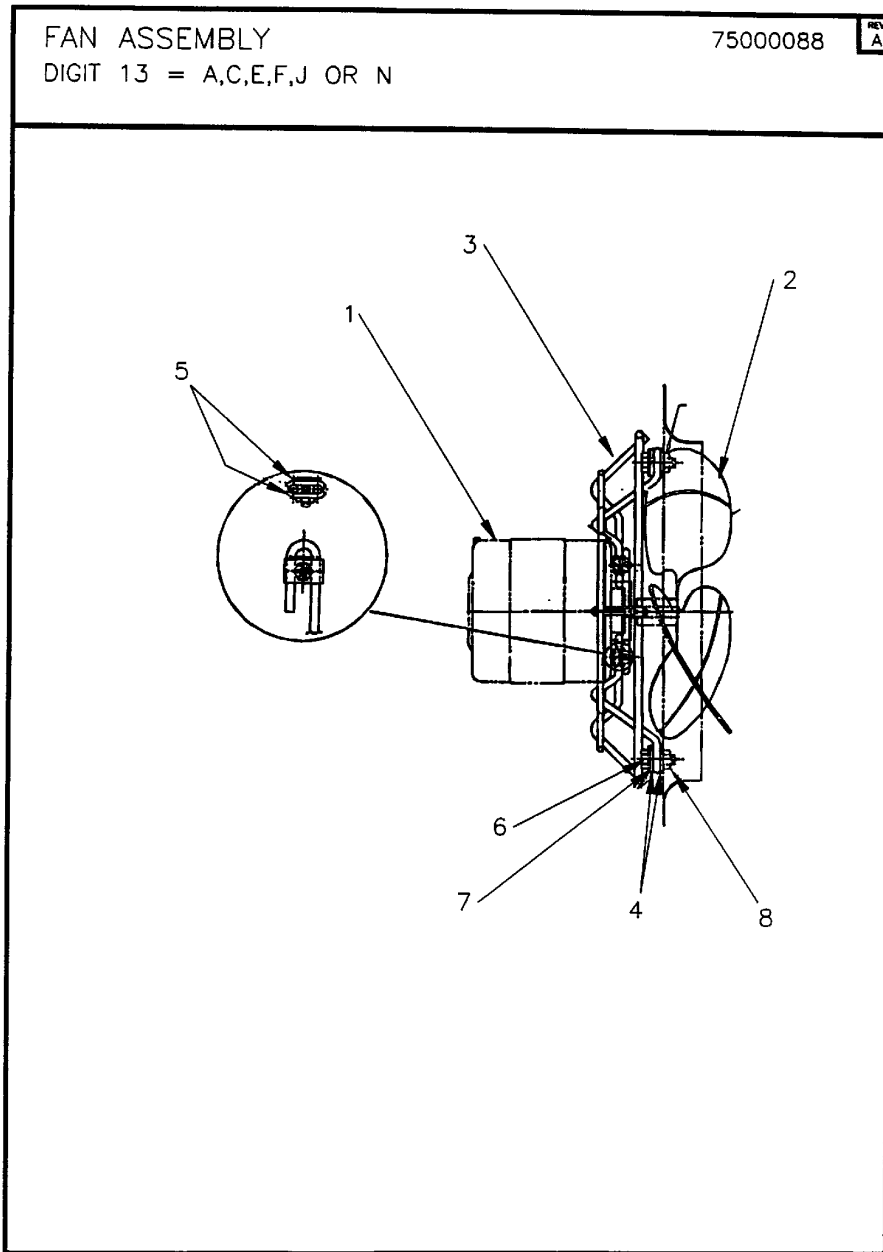
MODEL NUMBER DESCRIPTION		75008736	REV A
UHPB, UHSB			
Digit 1,2,3 - Product Type UHP, UHS		Digit 11 - Tube Material A = Copper* B = Steel(P Only)	
Digit 4 - Development Sequence B		Digit 12 - Fan Guard 1 - OSHA Fan Guard 2 - Std Fan Guard (3 phase or Expl. Proof mtrs. only) 3 - Std Fan Guard (Unit Cap. 240-360)	
Digit 5,6,7 - Capacity/Coil Type Hot Water Only(Coil Type A "serpentine") A0B - 8,030 BTU A1B - 18,400 BTU/HR A2S - 24,800 BTU/HR A3B - 35,900 BTU/HR		Digit 13 - Special Coating 0 = No Special Coating A = Phenolic Coating(Baked) B = Epoxy C = Epoxy Phenolic	
01B 18,000 BTU/HR 132 132,000 BTU/HR 024 24,000 BTU/HR 144 144,000 BTU/HR 036 36,000 BTU/HR 156 156,000 BTU/HR 04B 48,000 BTU/HR 180 180,000 BTU/HR 060 60,000 BTU/HR 204 204,000 BTU/HR 072 72,000 BTU/HR 240 240,000 BTU/HR 084 84,000 BTU/HR 280 280,000 BTU/HR 09B 96,000 BTU/HR 300 300,000 BTU/HR 10B 108,000 BTU/HR 360 360,000 BTU/HR 120 120,000 BTU/HR		Digit 14 - Disconnect Switch 0 = None 1 = Disconnect Switch	
Digit 5,6,7 - Capacity Steam or Hot Water		Digit 15 - Thermostats(Line Voltage) 0 = None A = Light Duty TSTAT w/subbase Line Volts 8 Amps B = Heavy Duty TSTAT w/subbase & locking cover Line Volts 16 Amps+A32	
042 42,000 BTU/HR 252 252,000 BTU/HR 064 64,000 BTU/HR 280 280,000 BTU/HR 080 80,000 BTU/HR 336 336,000 BTU/HR 102 102,000 BTU/HR 384 384,000 BTU/HR 122 122,000 BTU/HR 500 500,000 BTU/HR 146 146,000 BTU/HR 600 600,000 BTU/HR 168 168,000 BTU/HR 720 720,000 BTU/HR 202 202,000 BTU/HR		Digit 16 - Thermostat Cover 0 = None A = Locking Thermostat Cover	
Digit 8 - Voltage 1 = 115/1/60 3 = 230/1/60 (115 V MTR/W/TRANSF) 4 = 208/3/60 5 = 230/3/60 5 = 460/3/60 7 = 575/60/3 (Totally Enclosed(P only)		Digit 17 - Manual Starter 0 = None A = Manual Starter	
Digit 9 - Motor Type T = Totally Enclosed E = Explosion Proof		Digit 18 - Steam and Hot Water Control 0 = None 1 = Strap on Hot Water Control 2 = Steam Pressure Control(open on rise in pressure) 3 = Steam Pressure Control(closed on rise in pressure) 4 = 5.0 Amp Speed Control Switch (Capacities 18 -120 only)	
Digit 10 - Design Sequence A		Digit 19 - Vertical Louver 0 = None A - Vertical Louver B - Fin Diffuser(p Only) C - Fin Diffuser w/coating (ponly)	



Parts List Number :UHSBUP1#UHSBUP1

Model Number :UHSB0966TAA20000000

Part No.	Reference No.	Quantity	Description
75000088_UHSBUP1_669843~P	*		FAN ASSEMBLY PARTS LIST



Part No.	Reference No.	Quantity	Description
MOT12908	1	1	MOTOR; 1/2 HP FOR UHSB UNIT, 208/230/460/3 PHASE, .625 DIAMETER SHAFT
FAN03961	2	1	FAN; 16 IN DIA. 3/8 IN. BORE, 20 DEGREE PITCH
GRD00431	3	1	GUARD; FAN, 16 IN. DIA, PAINT-GREY, P-2/16 AND 12-1873 FAN GUARD-PROPELLER AND MOTOR MOUNT, PAINT COLOR GREY SAME AS GRD0310 EXCEPT PAINT COLOR
GRD01652	3	1	GUARD; OSHA FAN FOR 14 IN AND 16 IN FANS

Parts List Number :UHSBUP1#UHSBUP1

Model Number :UHSB0966TAA20000000

Part No.	Reference No.	Quantity	Description
UHSB1003_UHSBUP1_125222-P	*		PANELS PARTS LIST

NO GRAPHIC AVAILABLE

75013702

REV
A

**NO
GRAPHIC
AVAILABLE**

PANELS PARTS LIST

Parts List Number :UHSBUP1#UHSBUP1

Model Number :UHSB0966TAA20000000

Part No.	Reference No.	Quantity	Description
PNL25574	1	1	PANEL; BOTTOM JACKET FOR UNIT SIZE 096 AND 100
PNL25586	2	1	PANEL; TOP JACKET FOR UNIT SIZES 096 AND 108
PNL25599	3	1	PANEL; BACK FOR UNIT SIZES 096 AND 108

CONTROL ACCESSORIES

Parts List Number :UHSBUP1#UHSBUP1

Model Number :UHSB0966TAA20000000

Part No.	Reference No.	Quantity	Description
UHSB1004_UHSBUP1_117837-P	*		CONTROL ACCESSORIES PARTS LIST

NO GRAPHIC AVAILABLE

75013702

REV
A

**NO
GRAPHIC
AVAILABLE**

