

Parts List Number :UHPBUP1

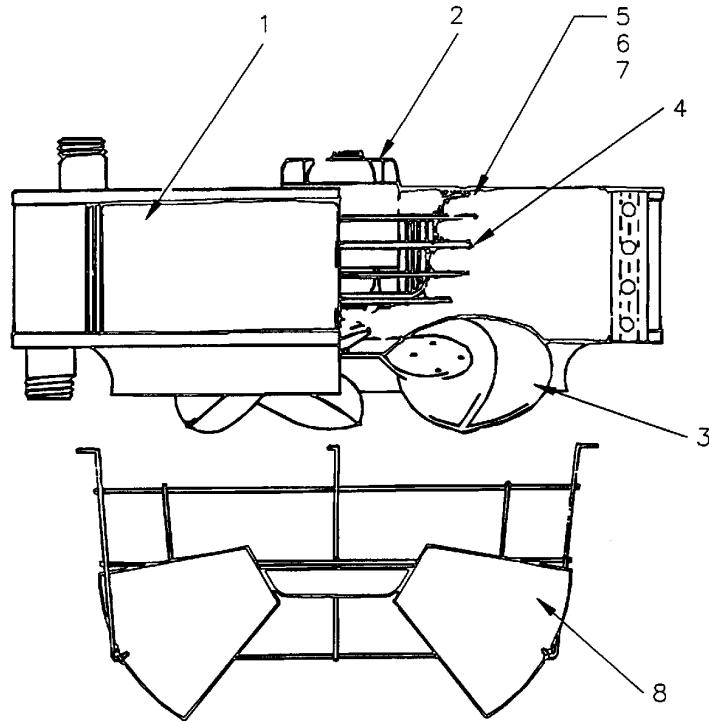
Model Number :UHPB2026TAA1000

Part No.	Reference No.	Quantity	Description
75000092	SEC 1		UNIT PARTS
75008736	SEC 2		MODEL NUMBER DESCRIPTION
UHPA1003	SEC 3		WIRE GUARDS

UNIT PARTS

75000092

REV
A



UNIT PARTS

Parts List Number :UHPBUP1

Model Number :UHPB2026TAA1000

Part No.	Reference No.	Quantity	Description
PAI00087	*	0	PAINT; AEROSOL, LT.GRAY (SHIPPING UOM 12 OZ HAZ)
COL00785	1	1	COIL;ASSEMBLY, .025 CU
DIF00029	8	1	DIFFUSER; LOUVER CONE

MODEL NUMBER DESCRIPTION		75008736	REV A
UHPB, UHSB			
Digit 1,2,3 - Product Type UHP, UHS		Digit 11 - Tube Material A = Copper* B = Steel(P Only)	
Digit 4 - Development Sequence B		Digit 12 - Fan Guard 1 - OSHA Fan Guard 2 - Std Fan Guard (3 phase or Expl. Proof mtrs. only) 3 - Std Fan Guard (Unit Cap. 240-360)	
Digit 5,6,7 - Capacity/Coil Type Hot Water Only(Coil Type A "serpentine") A0B - 8,030 BTU A1B - 18,400 BTU/HR A2S - 24,800 BTU/HR A3B - 35,900 BTU/HR		Digit 13 - Special Coating 0 = No Special Coating A = Phenolic Coating(Baked) B = Epoxy C = Epoxy Phenolic	
01B 18,000 BTU/HR 132 132,000 BTU/HR 024 24,000 BTU/HR 144 144,000 BTU/HR 036 36,000 BTU/HR 156 156,000 BTU/HR 04B 48,000 BTU/HR 180 180,000 BTU/HR 060 60,000 BTU/HR 204 204,000 BTU/HR 072 72,000 BTU/HR 240 240,000 BTU/HR 084 84,000 BTU/HR 280 280,000 BTU/HR 09B 96,000 BTU/HR 300 300,000 BTU/HR 10B 108,000 BTU/HR 360 360,000 BTU/HR 120 120,000 BTU/HR		Digit 14 - Disconnect Switch 0 = None 1 = Disconnect Switch	
Digit 5,6,7 - Capacity Steam or Hot Water		Digit 15 - Thermostats(Line Voltage) 0 = None A = Light Duty TSTAT w/subbase Line Volts 8 Amps B = Heavy Duty TSTAT w/subbase & locking cover Line Volts 16 Amps+A32	
042 42,000 BTU/HR 252 252,000 BTU/HR 064 64,000 BTU/HR 280 280,000 BTU/HR 080 80,000 BTU/HR 336 336,000 BTU/HR 102 102,000 BTU/HR 384 384,000 BTU/HR 122 122,000 BTU/HR 500 500,000 BTU/HR 146 146,000 BTU/HR 600 600,000 BTU/HR 168 168,000 BTU/HR 720 720,000 BTU/HR 202 202,000 BTU/HR		Digit 16 - Thermostat Cover 0 = None A = Locking Thermostat Cover	
Digit 8 - Voltage 1 = 115/1/60 3 = 230/1/60 (115 V MTR/W/TRANSF) 4 = 208/3/60 5 = 230/3/60 5 = 460/3/60 7 = 575/60/3 (Totally Enclosed(P only)		Digit 17 - Manual Starter 0 = None A = Manual Starter	
Digit 9 - Motor Type T = Totally Enclosed E = Explosion Proof		Digit 18 - Steam and Hot Water Control 0 = None 1 = Strap on Hot Water Control 2 = Steam Pressure Control(open on rise in pressure) 3 = Steam Pressure Control(closed on rise in pressure) 4 = 5.0 Amp Speed Control Switch (Capacities 18 -120 only)	
Digit 10 - Design Sequence A		Digit 19 - Vertical Louver 0 = None A - Vertical Louver B - Fin Diffuser(p Only) C - Fin Diffuser w/coating (ponly)	

WIRE GUARDS

Parts List Number :UHPBUP1

Model Number :UHPB2026TAA1000

Part No.	Reference No.	Quantity	Description
GRD01171	3	1	GUARD; FAN, OSHA, 146P, 166P