



Established 1958

Thermostatic Radiator Steam Traps Series TA

Operation

Tunstall Corporation produces a complete line of thermostatic radiator steam traps with ratings up to 125 psi. Each unit is tested and inspected before leaving the factory guaranteeing years of trouble free service. All units are “normally open” to expel air and water and will “close” at saturated steam temperature thereby preventing steam from entering into condensate return lines. Each Tunstall Steam Trap features the Tunstall Capsule[®] which has become the best steam trap replacement bellows available today.

Features

- Heavy duty forged brass
- TIG welded stainless steel Tunstall Capsule[®] with balanced pressure stainless steel bellows
- Calibrated, inspected and tested
- Ratings from 25” Hg vacuum to 125 psi
- Available in 1/2” & 3/4” straight or angle, 1/2” x 3/4” angle, 1/2” vertical and 1” angle patterns

Benefits

- Simple installation
- Corrosion resistant stainless steel internals
- Extended life on low pressure applications



Tunstall Capsule[®]

Applications

- Cast Iron Radiators
- Finned Tube Radiation
- Convectors
- Air Coils
- Sterilizers
- Drips

Typical Specification

Furnish and install Tunstall Thermostatic Steam Traps as shown or as specified on plans and in accordance with manufacturer’s instructions, sizes 1/2”, 3/4” or 1”. The trap body and cover shall be forged brass and provided with an entirely stainless steel Tunstall Capsule[®]. Rating shall be _____ lbs/hr at _____ PSIG pressure differential. Each unit shall be guaranteed for 12 months from date of installation.

The Tunstall Capsule[®] professionally upgrades all thermostatic steam traps. Refer to catalog #795 or www.tunstall-inc.com for more detailed information.



Tunstall Corporation
118 Exchange Street · Chicopee, MA 01013

© August 2014

We reserve the right to alter designs, specifications and information without notice.

Phone (413) 594-8695 · Fax (413) 598-8109
www.maconbalancing.com

Bulletin-TA-Series-TA-0814
Thermal-Disc & Thermostatic Traps

Thermostatic Radiator Steam Traps - *Series TA*

Engineering Specifications

CAPACITIES*

Thermal-Disc & Thermostatic Traps

Model	Size NPT	PSIG Orifice	DIFFERENTIAL PRESSURE (PSI)									
			Square Feet EDR**							lbs Condensate per hour***		
			1/2	1	1-1/2	2	5	10	25	50	75	125
TA-1/2-A	1/2"	5/16	120	165	200	230	320	500	825	1400	1700	1950
TA-3/4-A	3/4"	5/16	230	330	400	465	730	1050	1700	2375	2680	3300
TA-1-A	1"	1/4	430	590	700	760	1200	1750	4100	4050	4700	5500
TA-1/2x3/4-A	1/2"x3/4"	5/16	230	330	400	465	730	1050	1700	2375	2680	3300
TA-1/2-S	1/2"	5/16	120	165	200	230	320	500	825	1400	1700	1950
TA-3/4-S	3/4"	5/16	230	330	400	465	730	1050	1700	2375	2680	3300
TA-1/2-V	1/2"	5/16	120	165	200	230	320	500	825	1400	1700	1950

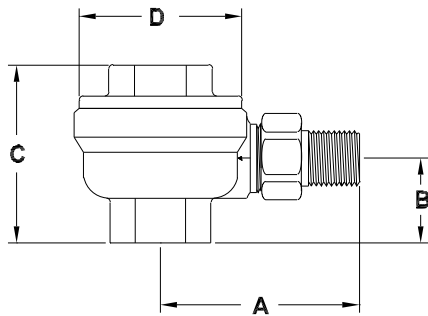
* Ratings are in accordance with standards established by The Steam Heating Equipment Manufacturers Association (SHEMA). No safety factor required.

** To convert Square Feet EDR to pounds of condensate per hour: Divide the square foot ratings by 4.

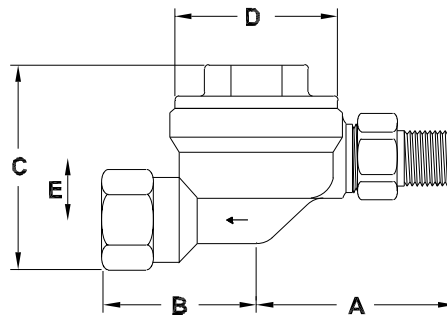
One Square Foot EDR is equivalent to net emission of 240 BTU per hour with 215°F steam in the radiator surrounded by 70°F air temperature.

*** Basic ratings for trap pressures greater than 25psi are given in lbs of condensate per hour.

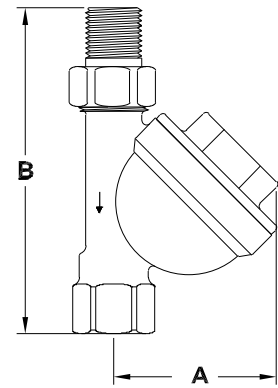
One pound of condensate is equivalent to approximately 1000 BTU; 1000 BTU is equivalent to approximately 4 square feet EDR.



Angle Pattern (A)



Straight Pattern (S)



Vertical Pattern (V)

Model No.	Pipe Size	A	B	C	D	E	Weight	Capsule
TA-1/2-A	1/2" Angle	3.00	1.25	2.57	2.56	--	1.75 lbs	TCTA-2901
TA-3/4-A	3/4 Angle	3.38	1.37	2.87	2.56	--	1.84 lbs	TCTA-2901
TA-1-A	1" Angle	4.13	2.00	4.12	2.08	--	2.50 lbs	TCTA-2904
TA-1/2-S	1/2" Straight	3.00	2.15	3.00	2.50	1.00	1.94 lbs	TCTA-2901
TA-3/4-S	3/4" Straight	3.38	2.15	3.00	2.50	1.00	2.05 lbs	TCTA-2901
TA-1/2x3/4-A	1/2" x 3/4" Angle	3.38	1.25	2.57	2.56	--	1.75 lbs	TCTA-2901
TA-1/2-V	1/2" Vertical	2.50	4.85	--	--	--	1.65 lbs	TCTA-2901



Tunstall Corporation
118 Exchange Street · Chicopee, MA 01013

Phone (413) 594-8695 · Fax (413) 598-8109
www.maconbalancing.com

© August 2014

We reserve the right to alter designs, specifications and information without notice.

Bulletin-TA-Series-TA-0814
Thermal-Disc & Thermostatic Traps