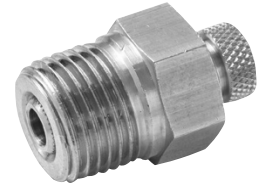


Test Plugs & Accessories

The **Trerice Test Plug** provides a convenient access port for determining the pressure and/or temperature of process media contained in a pipe line or vessel. The test plug is designed for use in chilled or hot water systems and is permanently installed in the system at the desired test location. A test thermometer or pressure gauge with test adapter can be inserted through the plug to determine the conditions within the system. When the probe is withdrawn, the inner valve plug closes to seal the system. The test plug includes a removable cap to protect the inner valve plug and provide a secondary seal.



D3742 shown

PRESSURE GAUGES

Nordel, otherwise known as EPDM, provides excellent service in hot or cold water. **Nordel should not be used with hydrocarbon solvents, hydrocarbon oils, chlorinated hydro carbons or turpentine.**

Neoprene, a synthetic rubber, provides excellent service in ammonia, high aniline point petroleum oils and silicate ester lubricants. **Neoprene should not be used with silicone greases, silicone oils or di-ester based lubricants.**

Test plugs are designed for initial startup and testing, not continuous or frequent use. If continuous or frequent use is desired or expected, a test well should be installed for temperature applications and a needle valve installed for pressure applications.

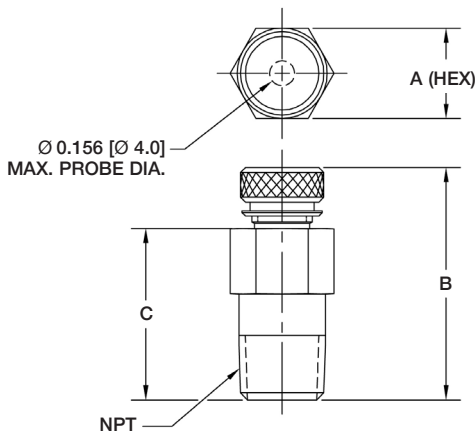
Tests should be made as quickly as possible because the inner plug resealing time is dependent upon the length of time the probe remains inserted, as well as the temperature and pressure of the system. The test plug may take longer to reseal at lower temperatures or pressures. The probe used for testing should never exceed a diameter of 0.156" (4 mm). The pressure gauge used for testing should always have a range of twice the system pressure.

Test Plugs

Test Plug Item No.	Test Plug with Retainer Item No.	Connection Size (NPT)	Body Length	Body & Cap	Core	Max Pres. (psig)	Max Temp.	Approximate Shipping Weight
D3741	D3764	1/4	1 1/2"	Brass*	Nordel	1000	350°F	0.1 lbs [0.05 kg]
D3743	D3763	1/4	1 1/2"	Brass*	Neoprene	1000	200°F	0.1 lbs [0.05 kg]
D3758	D3766	1/4	1 1/2"	316SS	Nordel	1000	350°F	0.1 lbs [0.05 kg]
D3757	D3765	1/4	1 1/2"	316SS	Neoprene	1000	200°F	0.1 lbs [0.05 kg]
D3742	D3770	1/2	1 1/2"	Brass*	Nordel	1000	350°F	0.2 lbs [0.09 kg]
D3744	D3769	1/2	1 1/2"	Brass*	Neoprene	1000	200°F	0.2 lbs [0.09 kg]
D3762	D3772	1/2	1 1/2"	316SS	Nordel	1000	350°F	0.2 lbs [0.09 kg]
D3761	D3771	1/2	1 1/2"	316SS	Neoprene	1000	200°F	0.2 lbs [0.09 kg]
D3767	D3773	1/4	3"	Brass	Nordel	1000	350°F	0.4 lbs [0.18 kg]
D3768	D3774	1/4	3"	Brass	Neoprene	1000	200°F	0.4 lbs [0.18 kg]

* Add (PBF) to the end of part number to specify Lead-Free brass.

All dimensions are nominal. Dimensions in [] are in millimeters.



Part No.	A	B	C	NPT
D3741				
D3743	0.56 [14]	1.50 [38]	1.06 [27]	1/4 - 18
D3758				
D3757				
D3742				
D3744	0.88 [22]	1.50 [38]	1.06 [27]	1/2 - 14
D3762				
D3761				
D3767	0.56 [14]	3.00 [76]	2.56 [65]	1/4 - 18
D3768				

Test Plugs & Accessories

Test Kits

Item No.	Pressure Range (psi)	Approximate Shipping Weight
D3750	0 to 100	1.4 lbs [0.64 kg]
D3751	0 to 200	1.4 lbs [0.64 kg]
D3752	0 to 300	1.4 lbs [0.64 kg]
D3748	0 to 600	1.4 lbs [0.64 kg]

Each test kit contains:

- (1) 700B Pressure Gauge,
- (1) B82105P03F&C Thermometer,
- (1) B82105P05F&C Thermometer,
- (1) D3747 Gauge Adapter,
- (1) Carrying Case



D3750 shown

Test Kit Replacement Items

Item No.	Description	Approximate Shipping Weight
700B2502LA100	700B Pressure Gauge, 2 1/2", 1/4 NPT, lower connection, 0 to 100 psi	0.4 lbs [0.18 kg]
700B2502LA200	700B Pressure Gauge, 2 1/2", 1/4 NPT, lower connection, 0 to 200 psi	0.4 lbs [0.18 kg]
700B2502LA300	700B Pressure Gauge, 2 1/2", 1/4 NPT, lower connection, 0 to 300 psi	0.4 lbs [0.18 kg]
700B2502LA600	700B Pressure Gauge, 2 1/2", 1/4 NPT, lower connection, 0 to 600 psi	0.4 lbs [0.18 kg]
B82105P03	B82105 Bimetal Thermometer, 1 3/4" dial size, 5" stem, 25° to 125°F & C	0.4 lbs [0.18 kg]
B82105P05	B82105 Bimetal Thermometer, 1 3/4" dial size, 5" stem, 20° to 240°F & C	0.4 lbs [0.18 kg]

Accessories

Item No.	Description	Approx. Shipping Weight
D3747	Gauge Adapter, 1/8" diameter	0.1 lbs [0.05 kg]
D3749PBF	2" Lead-Free Brass Extension, 1/4 NPT	0.1 lbs [0.05 kg]
D3753PBF	2" Lead-Free Brass Extension, 1/2 NPT	0.2 lbs [0.09 kg]