

# SX9 Digital Therm

Light-Powered Digital Thermometer • Weatherproof NEMA-4X Case

INDUSTRIAL THERMOMETERS



SX9140305 shown

- ▶ Light Powered  
No Batteries Required
- ▶ Large 1" LCD Display  
°F/°C Switchable
- ▶ ABS-FR Plastic Case  
NEMA 4X/IP65
- ▶ Fire Resistant FR-V0

The Trerice **SX9 "Digital Therm"** comes standard with a NEMA-4X case, making it the perfect choice for outdoor applications and in areas that require "spray-down." The **SX9** is the ideal replacement for existing mercury-in-glass thermometers in environmentally conscious applications. It features an ABS-FR (fire-resistant) plastic case, class-leading 1" LCD display and an adjustable-angle stem that is fully interchangeable with industrial liquid-in-glass thermometers. Also available is a bimetal type stem for applications where a digital thermometer is preferred over existing analog bimetals. The "**SX9**" requires no external power and needs only 10 lux of illumination (from any light source) to operate.

- Optional features available: Please consult the Options & Accessories Section for details.

#### Thermowell

- For applications where the process media may be corrosive or contained under pressure, the use of a thermowell is required to prevent damage to the thermometer and facilitate its removal from the process. (Refer to page 160)

## Specifications

<b>Model</b>	<b>Case Size</b>
<b>SX9</b>	5.9" Adjustable Angle
<b>Case</b>	Blue ABS-FR (fire-resistant) NEMA 4X
<b>Stem</b>	Industrial, Bimetal or Air-Duct
<b>Connection</b>	Industrial: 1 1/4" - 18 UNEF-2A coupling nut  Bimetal: 304 Stainless steel stem 1/4" diameter, 1/2" NPT  Air-Duct: Reversible mounting flange with 3 bolt holes
<b>Sensor</b>	Digital Temperature Sensor
<b>Range</b>	-50 to 300° F (-46° to 150° C)
<b>Display</b>	1" LCD digits switchable between F/C.
<b>Accuracy</b>	1% or 1° F, whichever is greater
<b>Resolution</b>	1/10°
<b>Update Interval</b>	10 seconds
<b>Lux Rating</b>	10 Lux (one foot candle)
<b>Ambient Operating Temperature</b>	-50° to 140° F (-46° to 60° C)
<b>Ambient Temperature Error</b>	None
<b>Humidity</b>	Maximum: 95 RH, non condensing
<b>Approximate Shipping Weight</b>	0.6 lbs [0.27 kg]

*Note: Suitable for outdoor use.*

## HOW TO ORDER

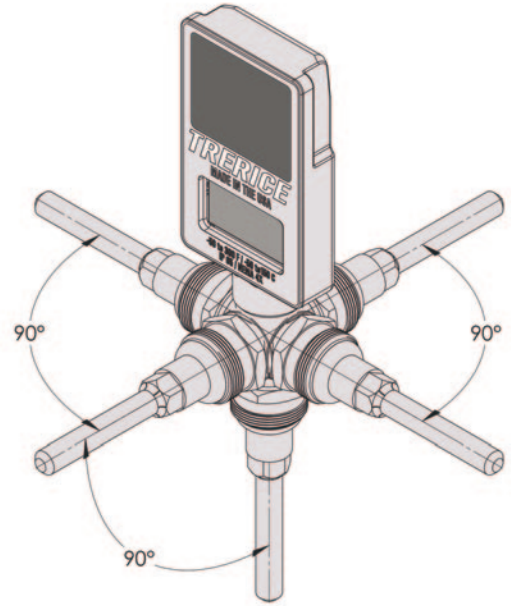
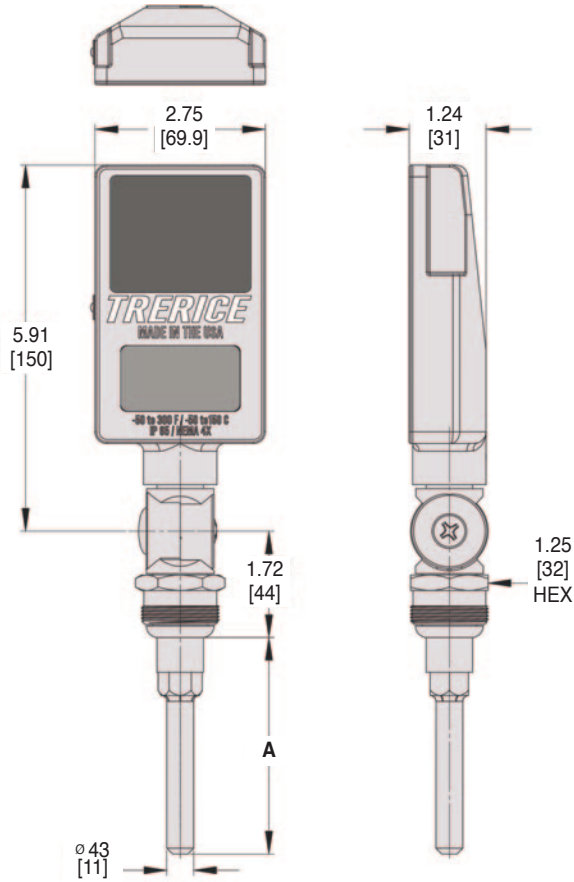
Sample Order Number: **SX9 1 403 05**

Model	Stem (Style & Material)	Stem (Length)	Specific Range
<b>SX9</b> 5.9" Adjustable	1 Industrial (Aluminum)	<b>403</b> 3 1/2" (standard)	<b>05</b> -50° to 300° F/C
		<b>406</b> 6" (standard)	
		<b>602</b> 2 1/2" Bimetal	
	5 Bimetal (304 SS)	<b>604</b> 4" Bimetal	
		<b>606</b> 6" Bimetal	
		9 Air-Duct (Aluminum)*	
	<b>012</b> 12" Air-Duct		

\* Not for use with Thermowell

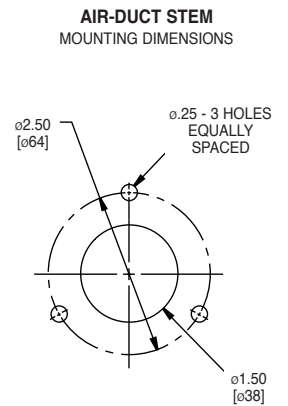
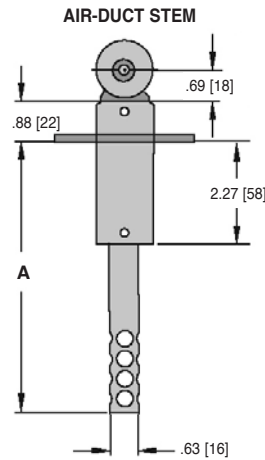
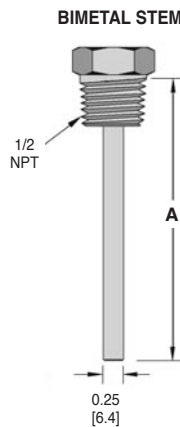
# SX9 Digital Therm

All dimensions are nominal.  
Dimensions in [ ] are in millimeters.



INDUSTRIAL THERMOMETERS

(A) Stem Length	Dimension
3 1/2" Industrial	3.50 [88.9]
6" Industrial	6.00 [152.4]
2 1/2" Bimetal	2.50 [63.0]
4" Bimetal	4.00 [101.6]
6" Bimetal	6.00 [152.4]
6" Air-Duct	6.00 [152.4]
12" Air-Duct	12.00 [304.8]



## Thermowells for SX9 Solar-Therm

for INDUSTRIAL STYLE Stems				for BIMETAL STYLE Stems			
Model	Stem Length	Insertion Length	Material	Model	Stem Length	Insertion Length	Model
3-4F2	3 1/2"	2 1/2"	Brass	76-4G2	4"	2 1/2"	Brass
3-4FA2	3 1/2"	1.7" with 1" lagging extension	Brass	76-4GA2	4"	2" with 1" lagging extension	Brass
3-4J2	6"	5"	Brass	76-4J2	6"	4 1/2"	Brass
3-4JD2	6"	2 1/2" with 2 1/2" lagging extension	Brass	76-4JC2	6"	2 1/2" with 2" lagging extension	Brass

(See page 160 for additional materials)

(See page 163 for additional materials)