

The CirrusSense™
TDWLB-LC Series
Low Cost/OEM,
Lightweight
Wireless Bluetooth
Pressure Transducer



SERIES: TDWLB-LC



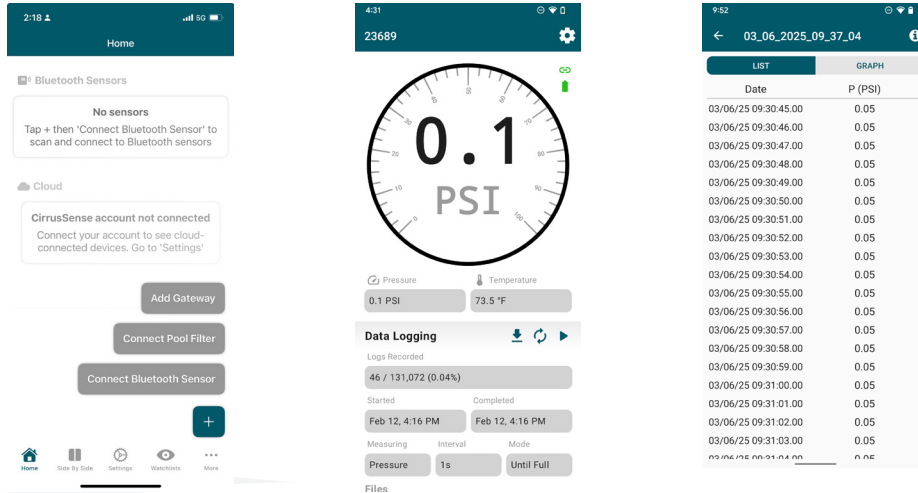
FEATURES

- Grivory, Industry First, Lightweight
- Connects to smart phones and tablets with BLE (Bluetooth® Low Energy)
- Remote Monitoring Capability Available
- Pressure ranges up to 1,000 psi
- 1% Standard accuracy
- Long battery life
- Alarm set points
- Secure field programmable naming
- Patent Pending Design

SPECIFICATIONS

Performance	Performance @ 25°C (77 °F)
Pressure Accuracy	1% BFSL (includes: Non-linearity, Hysteresis and Non-repeatability)
Overrange Protection	1.5x Rated Pressure
Pressure Range	See ordering Code, vacuum to 1,000 psi
Update Time	Bluetooth® wireless technology (1sec)
Environmental Data	
Temperature	
Compensated Temperatures	-25°C (-13°F) to 60°C (140°F)
Operating Temperatures	-30°C (-22°F) to 60°C (140°F)
Storage Temperatures	-30°C (-22°F) to 60° C (140°F)
TEB	3% of FS
Long Term Drift	0.2% FS/year (non-cumulative)
EMI/RFI Protection	Yes
Rating	IP-67
Mechanical Configuration	
Pressure Connections	7/16-20 UNF Female w/ 45° flare & valve depressor, 1/4 NPT, 1/8 NPT, G 1/4
Wetted Material	Grivory engineered composite material
Sealing Material	Schrader Connection = HNBR, All other pressure fittings Viton
Electrical Data	
Power Supply	Replaceable battery, battery life: 24+ months, typical. Battery life is affected by high and low temperatures. Battery part number: TDWLB-LC-BAT
Battery Removal	If battery pack is removed, you must wait 90 seconds to reinstall
Operating System Requirements	iOS 8.0 or later Android 4.3 or later

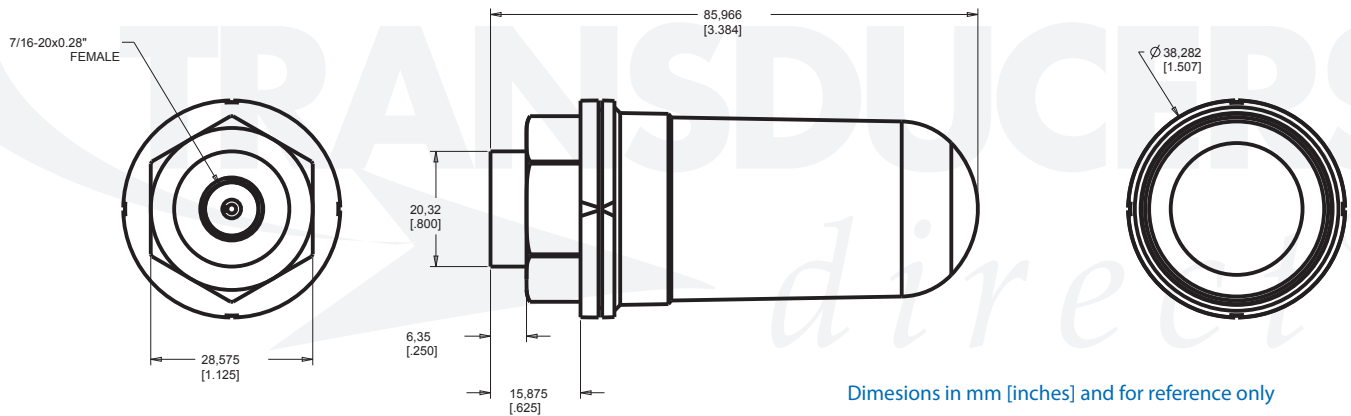
TDWLB-LC CirrusSense app



Free download at the Apple iTunes App Store and Google Play

Specifications may change without notice. The information we supply is believed to be accurate and reliable as of this printing. However, we assume no responsibility for its use. While we provide application assistance personally, through our literature and the Transducers Direct web site, it is up to the customer to determine the suitability of the product in the application.

DIMENSIONS



All TDWLB Transducers Contain a Lithium Battery That Must Be Disposed of Properly

ORDERING

Series	Pressure Range	Pressure Connection	Accuracy	Battery Pack
TDWLB-LC	0500 (psi)	42	4	
	0015	01 = 1/8 NPT	4 = 1.0%	Blank= standard battery pack
	0025	03 = 1/4 NPT		
	0050	13 = G 1/4		
	0100	42= 7/16-20 UNF Female		
	0250	w/ 45° flare & valve		
	0500	depressor (Schraeder)		
	0650	**		
	1000	**		

**= Consult factory for further OEM options.

Pressure ranges listed above are quick ship versions.

All straight-thread o-rings are Viton. It is customer's responsibility to determine compatibility.

TDWLB-LC wireless Bluetooth pressure transducers are capable of measuring vacuum (accuracy is based on the full-scale pressure range of the sensor).

REV 3.25