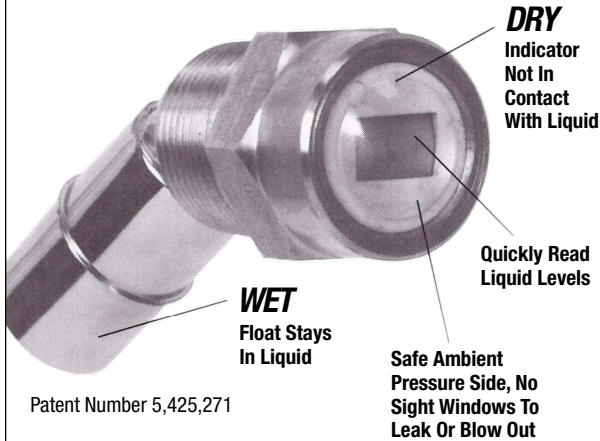


## METAL

- **Replaces Unreadable Sight Windows**
- **Non-Electrical**
- **Use in Hazardous Locations**



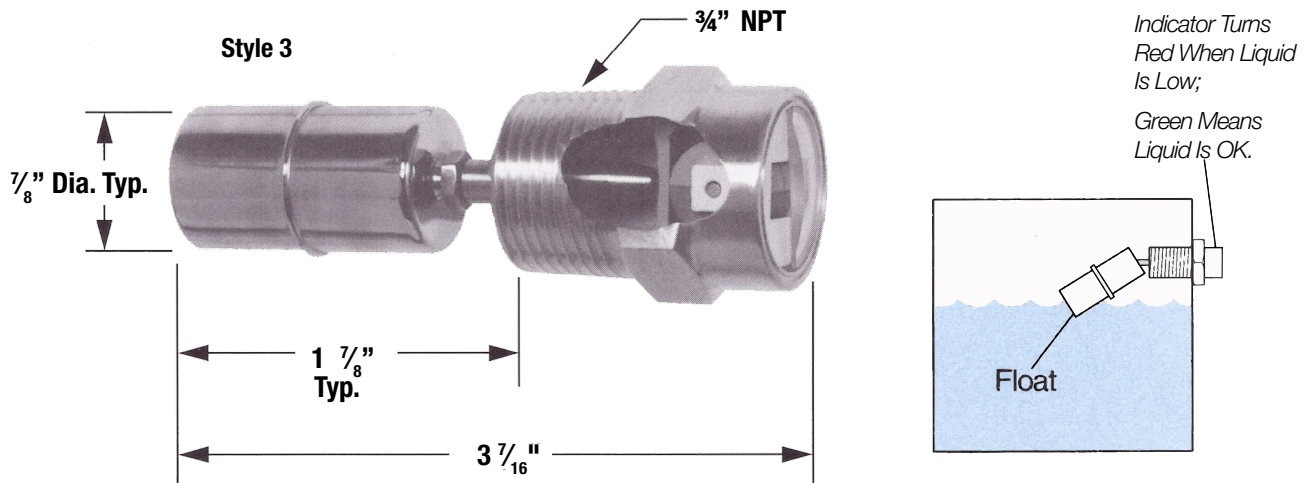
### Operation:

The housing has 2 separate chambers. In the front chamber behind a transparent lens is a 2 color roller, half red, half green and it is equipped with a magnet. In the rear chamber is a magnet equipped float free to swing with the action of the liquid's level. The poles of the 2 magnets are opposite creating a permanent interlock. As the liquid level falls, the float and magnet swing to rotate the roller exposing the red side indicating low liquid level. Accordingly, as the level rises, the green side indicating a satisfactory liquid level condition appears.

### Notes:

1. High temperature modifications available. Consult factory.
2. High pressure floats available. Consult factory.
3. All other wetted parts stainless steel.
4. Mounting attitude horizontal.
5. Specific gravity. 4 min.
6. Both styles 1 and 2 install through a  $1^{9/32}$ " dia hole.

### DIMENSIONAL DATA:



### Specifications:

P/N Number	Housing Material <i>See Note 5</i>	Size	Float	Operating Temperature	Operating Pressure
43676	Brass	$\frac{3}{4}$ " NPT Style 3	316 SST <i>See Note 5</i>	-40°F to +225°F <i>See Note 1</i>	400 PSI @72°F <i>See Note 2</i>
43677	316 SST				