

Submittal Data Information

3450 Combination Boiler Feed Valve & Backflow

101-168

Effective: SEPTEMBER 1, 2015

Supersedes: NEW

Job: _____ Engineer: _____ Contractor: _____ Rep: _____

| ITEM NO. | MODEL NO. | |
|----------|-----------|--|
| | | |

Features

- Auto Reset from Fast Fill
- ASSE 1081-2014
- Simple Pressure Adjustment
- Servicable Cartridge for both the Backflow and Feed Valve
- Adjustable 360 View of Pressure Indicator
- Large Adjustment Range
- Serviceable without draining the system
- One Piece Body Construction
- Stainless Steel Strainer

Performance

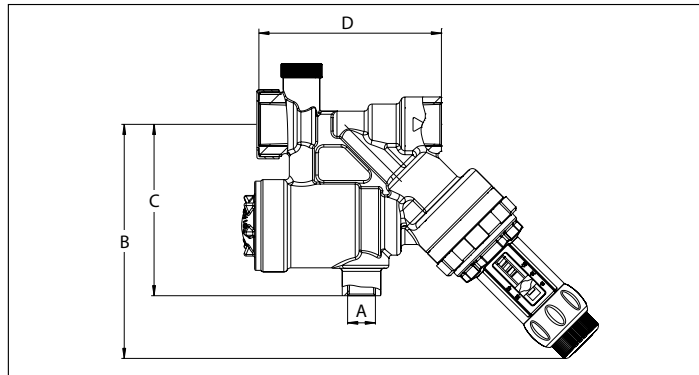
- Max. Inlet Pressure:.....150 psi (10.3 Bar)
- Min. Delta P Inlet to Outlet....15 psi (1 Bar)
- Recommended Setting Range: 10-50 psi
+/-3 psi
(7-3.4 bar)
- Factory Setting:.....12psi (.8)
- Adjustment Capability:.....8.5 - 65 psi
(6-4.5 bar)
- Max. Flow Rate:.....25 gpm
(8 ft / sec)
95 l/m
- Max. Temperature:.....210°F (99°C)

Materials of Construction

- Body:.....Forged Brass
- Cartridge Components:.....Brass, EPDM, Hi-Temp Engineered Plastics and Stainless Steel
- Gaskets:.....EPDM

Application:

The integral design of the Taco 3450 Combi Valve combines a cartridge style backflow preventer with a cartridge style feed valve into a unique one piece body configuration. Designed for use in hydronic heating systems the dual check backflow prevents heating system water from flowing back into the supply water piping if the supply pressure falls below the heating system pressure. The boiler feed valve automatically fills or refills (make-up water) the closed heating system to the desired cold fill pressure. Both the back-flow and the feed valve contain cartridges that can be serviced or replaced without draining the entire heating system.



Dimensions: (FOR REFERENCE PURPOSES)

| Model Number | Description | A | | B | | C | | D | |
|--------------|-----------------------------|---------|-------|-------|-------|-------|------|-------|------|
| | | in. | mm | in. | mm | in. | mm | in. | mm |
| 3450 | 1/2" NPT x 1/2" Union Sweat | 1/4 NPT | 114.3 | 4-1/2 | 114.3 | 3-1/4 | 82.6 | 3-1/2 | 88.9 |
| 3450-T | 1/2" NPT x 1/2" Union NPT | 1/4 NPT | 114.3 | 4-1/2 | 114.3 | 3-1/4 | 82.6 | 3-1/2 | 88.9 |

