



Submittal Data Information

2400 Series High Capacity Circulators

101-134

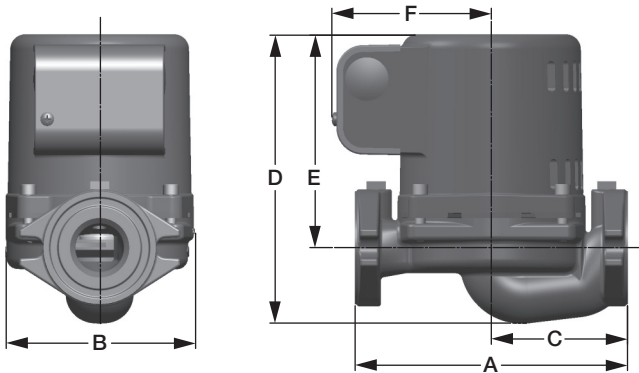
EFFECTIVE: March 1, 2015

SUPERSEDES: December 19, 2014

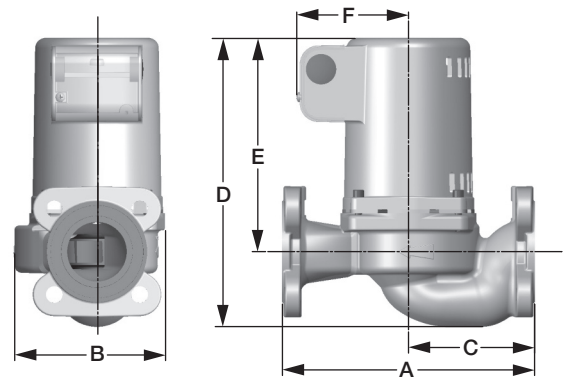
JOB _____ ENGINEER _____ CONTRACTOR _____ REP. _____

| ITEM | MODEL NO. | G.P.M. | HEAD (FT.) | H.P. | ELEC. CHAR. |
|------|-----------|--------|------------|------|-------------|
|------|-----------|--------|------------|------|-------------|

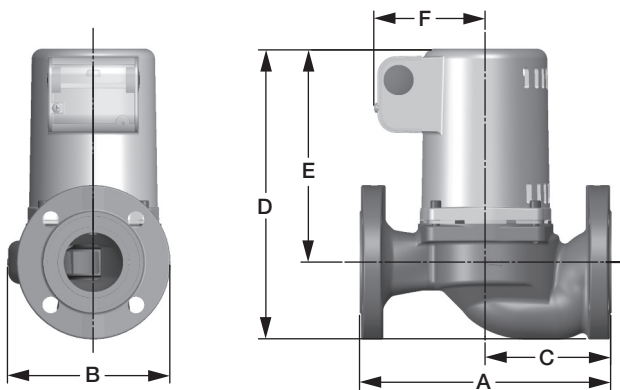
Models 2400-10-3P thru 2400-50S/2-3P



Models 2400-60-3P thru 2400-70S-3P



Models 2400-70/3-3P and 2400-70S/3-3P



PUMP DIMENSIONS & WEIGHTS

All dimensions and weights are approximate.

| CAST IRON MODEL | STAINLESS STEEL MODEL | A | | B | | C | | D | | E | | F | | SHIP WEIGHT | |
|-----------------|-----------------------|-------------------------------|-----|--------------------------------|-----|--------------------------------|-----|--------------------------------|-----|-------------------------------|-----|-------------------------------|----|-------------|------|
| | | IN. | MM | IN. | MM | IN. | MM | IN. | MM | IN. | MM | IN. | MM | LBS. | KG |
| 2400-10-3P | 2400-10S-3P | 6 ³ / ₈ | 162 | 4 ¹ / ₂ | 114 | 3 ³ / ₁₆ | 82 | 6 ⁷ / ₈ | 175 | 5 | 127 | 3 ³ / ₄ | 95 | 11.5 | 5.3 |
| 2400-20-3P | 2400-20S-3P | 6 ³ / ₈ | 162 | 4 ¹ / ₂ | 114 | 3 ³ / ₁₆ | 82 | 6 ⁷ / ₈ | 175 | 5 | 127 | 3 ³ / ₄ | 95 | 12.0 | 5.5 |
| 2400-30-3P | 2400-30S-3P | 8 ¹ / ₂ | 216 | 4 ³ / ₄ | 121 | 4 ¹ / ₄ | 108 | 8 | 203 | 5 ¹ / ₄ | 133 | 3 ³ / ₄ | 95 | 14.5 | 6.6 |
| 2400-40-3P | 2400-40S-3P | 8 ¹ / ₂ | 216 | 4 ³ / ₄ | 121 | 4 ¹ / ₄ | 108 | 8 | 203 | 5 ¹ / ₄ | 133 | 3 ³ / ₄ | 95 | 14.5 | 6.6 |
| 2400-45-3P | 2400-45S-3P | 6 ³ / ₈ | 162 | 4 ⁵ / ₈ | 119 | 3 ³ / ₁₆ | 82 | 8 ³ / ₄ | 222 | 6 ⁷ / ₈ | 175 | 3 ³ / ₄ | 95 | 15.0 | 6.8 |
| 2400-50-3P | 2400-50S-3P | 6 ³ / ₈ | 162 | 4 ⁵ / ₈ | 119 | 3 ³ / ₁₆ | 82 | 8 ³ / ₄ | 222 | 6 ⁷ / ₈ | 175 | 3 ³ / ₄ | 95 | 16.0 | 7.3 |
| 2400-50/2-3P | 2400-50S/2-3P | 6 ³ / ₈ | 162 | 5 ¹ / ₄ | 133 | 3 ³ / ₁₆ | 82 | 8 ³ / ₄ | 222 | 6 ⁷ / ₈ | 175 | 3 ³ / ₄ | 95 | 16.5 | 7.5 |
| 2400-60-3P | 2400-60S-3P | 8 ¹ / ₂ | 216 | 5 ³ / ₁₆ | 132 | 4 ¹ / ₄ | 108 | 7 ⁷ / ₈ | 200 | 5 ¹ / ₄ | 133 | 3 ³ / ₄ | 95 | 18.0 | 8.2 |
| 2400-65-3P | 2400-65S-3P | 8 ¹ / ₂ | 216 | 5 ¹ / ₂ | 140 | 4 ¹ / ₄ | 108 | 9 ⁷ / ₈ | 251 | 7 ¹ / ₄ | 184 | 3 ³ / ₄ | 95 | 22.0 | 10.0 |
| 2400-70-3P | 2400-70S-3P | 8 ¹ / ₂ | 216 | 5 ¹ / ₂ | 140 | 4 ¹ / ₄ | 108 | 9 ⁷ / ₈ | 251 | 7 ¹ / ₄ | 184 | 3 ³ / ₄ | 95 | 23.0 | 10.4 |
| 2400-70/3-3P | 2400-70S/3-3P | 8 ¹ / ₂ | 216 | 6 ⁵ / ₈ | 168 | 4 ¹ / ₄ | 108 | 10 ¹ / ₂ | 267 | 7 ¹ / ₄ | 184 | 3 ³ / ₄ | 95 | 29.0 | 13.2 |

MATERIALS OF CONSTRUCTION

Casing: Cast Iron or Stainless Steel
 Seal Face Plate: Stainless Steel
 Motor Housing: Aluminum
 Impeller: 30% Glass-filled Noryl*
 Impeller Insert: Stainless Steel
 Shaft: Stainless Steel
 Mechanical Seal: Carbon/Silicon-Carbide
 Motor Bearings: Permanently lubricated ball bearing
 O-Ring/Flange Gaskets: EPDM

* Noryl is a registered trademark of General Electric Co.

MODEL NOMENCLATURE

S – Stainless Steel, Flanged
 Y – 230V/60/1 Motor

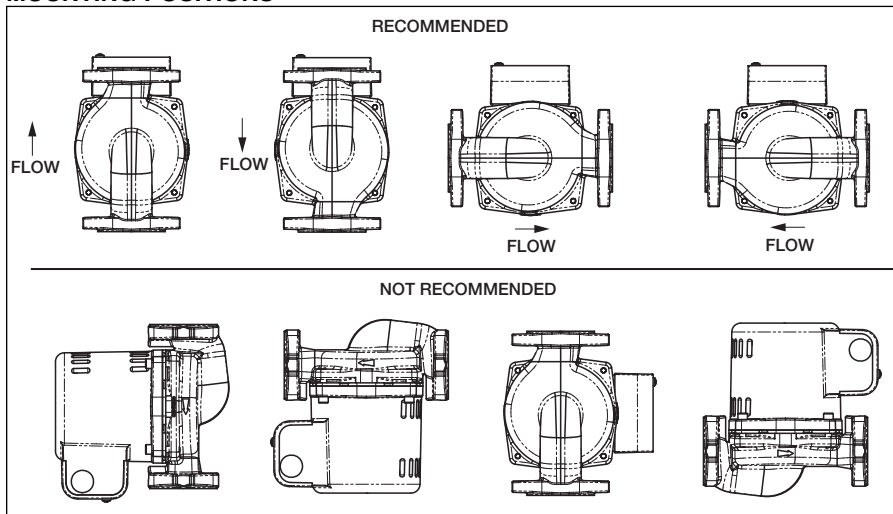
PERFORMANCE DATA

Maximum Flow: 90 GPM
 Maximum Head: 46 Feet
 Minimum Fluid Temp: 40°F (4°C)
 Maximum Fluid Temp: 225°F (107°C)
 Maximum Working Pressure: 150psi

ELECTRICAL DATA

| Model Number | Hz | Ph | Amps | | RPM | HP |
|--------------|----|----|---|-------|------|------|
| | | | 115 V | 230 V | | |
| 2400-10-3P | 60 | 1 | 1.4 | 0.54 | 3450 | 1/10 |
| 2400-20-3P | | | 1.9 | 1.0 | | 1/6 |
| 2400-30-3P | | | 1.9 | 1.0 | | 1/6 |
| 2400-40-3P | | | 1.9 | 1.0 | | 1/6 |
| 2400-45-3P | | | 3.6 | 1.7 | | 1/3 |
| 2400-50-3P | | | 4.9 | 2.4 | | 1/2 |
| 2400-60-3P | | | 1.9 | 1.0 | | 1/6 |
| 2400-65-3P | | | 3.6 | 1.7 | | 1/3 |
| 2400-70-3P | | | 4.9 | 2.4 | | 1/2 |
| Motor Type | | | Open drip proof, permanent split capacitor, thermally protected | | | |

MOUNTING POSITIONS



2400 SERIES COMPANION FLANGE SETS

| Models | CONNECTION | 3/4" | 1" | 1 1/4" | 1 1/2" | 2" | 2 1/2" | 3" |
|--|--------------|------------|------------|--------------|--------------|------------|----------|----------|
| 2400-10/10S-3P 2400-20/20S-3P 2400-45/45S-3P 2400-50/50S-3P | Iron NPT | 110-251F | 110-252F | 110-253F | 110-254F | – | – | – |
| | S. Steel NPT | 110-251SF | 110-252SF | 110-253SF | 110-254SF | – | – | – |
| | Bronze SWT | 110-523BSF | 110-524BSF | 110-525BSF | 110-526BSF | – | – | – |
| | Shut-Off NPT | SF-075T | SF-100T | SF-125T | SF-150T | – | – | – |
| | Shut-Off SWT | SF-075S | SF-100S | SF-125S | SF-150S | – | – | – |
| 2400-50/50S/2-3P 2", 2 bolt | Iron NPT | – | – | – | – | 194-2124F | – | – |
| | S. Steel NPT | – | – | – | – | 194-2124SF | – | – |
| 2400-30/30S-3P 2400-40/40S-3P | Iron NPT | – | – | 194-1540F | 194-1542F | – | – | – |
| | S. Steel NPT | – | – | 194-1540SF | 194-1542SF | – | – | – |
| | Shut-Off NPT | – | – | SF-125T-0012 | SF-150T-0012 | – | – | – |
| | Shut-Off SWT | – | – | SF-125S-0012 | SF-150S-0012 | – | – | – |
| 2400-60/60S-3P 2400-65/65S-3P 2400-70/70S-3P | Iron NPT | – | – | – | – | 185-086C | – | – |
| | Bronze NPT | – | – | – | – | 185-086B | – | – |
| 2400-70/70S/3-3P 3", 4 bolt | Iron NPT | – | – | – | – | – | 185-112C | 185-113C |
| | Bronze NPT | – | – | – | – | – | 185-112B | 185-113B |

Do your best work.®

TACO, INC., 1160 Cranston Street, Cranston, RI 02920 Telephone: (401) 942-8000 FAX: (401) 942-2360.
 TACO (Canada), Ltd., 8450 Lawson Road, Unit #3, Milton, Ontario L9T 0J8. Telephone: 905/564-9422. FAX: 905/564-9436.

Visit our web site at: <http://www.taco-hvac.com>

Printed in USA
 Copyright 2015
 TACO, Inc.