



Submittal Data Information

Plumb n' Plug®

Domestic Hot Water Circulators

101-066

Effective: 12/06/24

Supersedes: 11/05/19

Job: _____ Engineer: _____ Contractor: _____ Rep: _____

ITEM NO.	MODEL NO.	

General Product Information:

Taco Plumb n' Plug® (PNP) Circulators periodically recirculate hot water through the domestic water piping system to decrease the delivery time to outlet fixtures and reduce wasted water. These UL-listed units feature quiet, efficient operation and low power consumption. Self lubricating, with no mechanical seal and Taco's unique replaceable cartridge design, Plumb n' Plug® circulators are field serviceable and maintenance free. An optional Aquastat is available to maintain temperature between 95°F and 115°F.

Performance Data:

Flow Range: 0 - 7 GPM (003), 0 - 19.5 GPM (005)
 0 - 11.5 GPM (006)
 Head Range: 0 - 4.5 Feet (003), 0 - 8.5 Feet (005)
 0 - 9.5 Feet (006)
 Minimum Fluid Temperature: 40°F (4°C)
 Maximum Fluid Temperature: 220°F (104°C)
 Maximum Working Pressure: 125 PSI

Features:

- UL Listed
- Optional 95°F - 115°F Aquastat Available
- Standard High Capacity Output
- Compact Design
- Quiet, Efficient Operation
- Direct Drive - Low Power Consumption
- Unique Replaceable Cartridge Design - Field Serviceable
- Self Lubricating
- No Mechanical Seal
- Unmatched Reliability - Maintenance Free
- Sweat Connections - Bronze
- Union & Threaded Connections - Stainless Steel
- Flanged - Stainless Steel

Materials of Construction:

CIRCULATOR:

Casing (Volute): Bronze or Stainless Steel
 Stator Housing: Steel
 Cartridge: Stainless Steel
 Impeller: Non-Metallic
 Shaft: Ceramic
 Bearings: Carbon
 O-Ring & Gaskets: EPDM

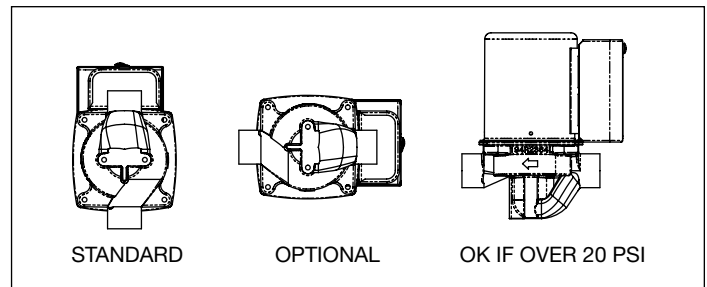
INTEGRAL FLOW CHECK (IFC®):

Body & Plunger: Acetal
 Spring: Stainless Steel
 O-Ring: EPDM

Model Nomenclature:

BC – Bronze, 1/2" Sweat
 B – Bronze, 3/4" Sweat
 ST – Stainless Steel, 3/4" FNPT
 SC – Stainless Steel, Union Connection
 SF – Stainless Steel, Flanged
 PNP – Plumb n' Plug®

Mounting Positions:



Electrical Data:

MODEL	VOLTS	Hz	Ph	AMPS	RPM	HP
003	115	60	1	0.45	3250	1/40
005				0.52		
006				0.54		
006 ICF				.57		
Motor Type	Permanent Split Capacitor, Impedance Protected					



Certified to
 NSF/ANSI/CAN
 60 & 372



FOR INDOOR USE ONLY

ANALOG TIMER OPTION:

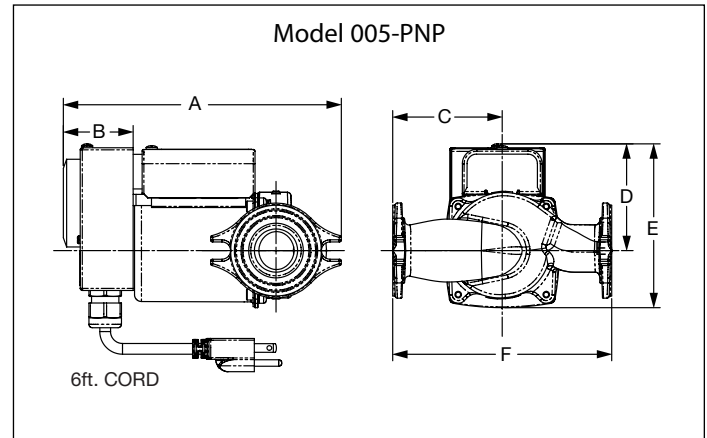
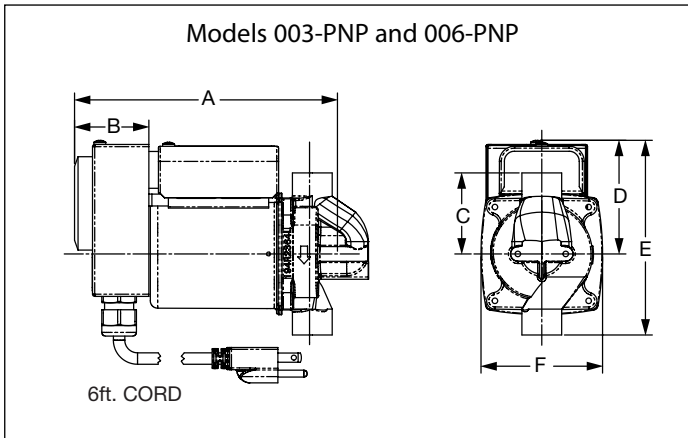
Application:

The Plumb n' Plug with analog timer will cycle the circulator during peak usage periods such as early morning or early evening. An optional aquastat is available for constant circulation applications to maintain temperature between 95°F and 115°F. The Taco 003-PNP is ideal for recirculation loops. Its design operating condition of 3 gpm at 3 feet of head helps to reduce erosion, corrosion and noise in system piping. Use the 003-PNP for systems up to 200 total feet (supply and return) of 3/4" pipe. The Taco 005 and 006 PNP is designed for systems using 200-400 feet of 3/4" pipe. Installation of isolation valves, pipe insulation and flow checks are recommended.

Analog Features:

- 24 Hour Analog Timer
- 15 Minute ON/OFF intervals
- Easy-to-Use Clock Timer
- Factory installed 6' line cord

Pump Dimensions & Weights:



ANALOG TIMER															
MODEL	CONNECTION	A		B		C		D		E		F		SHIP WGT.	
		in.	mm	in.	mm	in.	mm	in.	mm	in.	mm	in.	mm	lbs.	kg
003-BC4-PNP	1/2" Sweat	7 1/4	184	1 15/16	49	2 1/8	54	3 1/16	77.8	5 1/4	134	3 5/16	84	7.0	3.2
003-B4-PNP	3/4" Sweat					2 3/16	56								
003-ST4-PNP	3/4" FNPT					2	51								
003-SC4-1PNP	Union					2 3/32	76								
006-BC4-PNP	1/2" Sweat	7 1/4	184			2 1/8	54	3 1/16	77.8	5 1/4	134	3 5/16	84		
006-B4-PNP	3/4" Sweat					2 3/16	56								
006-ST4-PNP	3/4" FNPT					2	51								
006-SC4-1PNP	Union					2 3/32	76								
005-SF2-PNP	SS Flanged			8 1/8	205	3 5/32	80							3 3/32	78.6

ANALOG TIMER with INTEGRAL FLOW CHECK (IFC)®																					
MODEL	CONNECTION	A		B		C		D		E		F		SHIP WGT.							
		in.	mm	in.	mm	in.	mm	in.	mm	in.	mm	in.	mm	lbs.	kg						
003-BC4-3PNP	1/2" Sweat	8 1/8	205	1 15/16	49	2 3/16	56	3 1/16	77.8	5 1/4	134	3 5/16	84	7.0	3.2						
003-B4-2PNP	3/4" Sweat					2 3/16	56														
006-BC7-1PNP	1/2" Sweat					2 3/16	56									3 1/16	77.8	5 1/4	134	3 5/16	84
006-BC7-PNP	3/4" Sweat					3 5/32	80									3 3/32	78.6	4 3/4	121	6 3/8	162
005-SF2-1PNP	SS Flanged					3 5/32	80									3 3/32	78.6	4 3/4	121	6 3/8	162

DIGITAL TIMER OPTION:

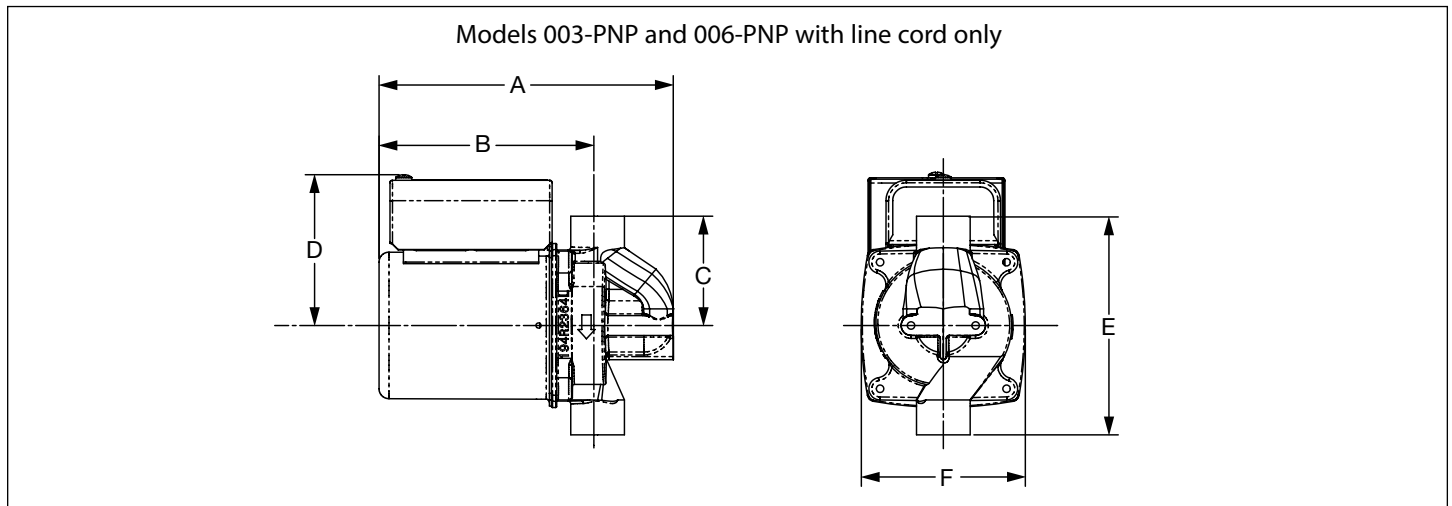
Application:

Twenty-eight programmable events allow you to customize the hot water run times to meet the household demand. Its intuitive logic can automatically adjust to daylight savings time, and the convenient dial simplifies programming. A battery backup will retain your settings for up to three months with no power. An optional Aquastat is available for constant circulation applications to maintain temperature between 95°F and 115°F. Taco 003-PNP is ideal for recirculation loops. Its design operating condition of 3 gpm at 3 feet of head helps to reduce erosion and noise in system piping. Use the 003-PNP for systems up to 200 total feet (supply and return) of 3/4" pipe. Installation of isolation valves pipe insulation and flow checks are recommended.

Digital Features:

- 7-day digital plug-in timer
- 28 ON/OFF programmable events
- Automatic daylight savings time adjustment
- Convenient dial simplifies programming
- Battery backup

Pump Dimensions & Weights:



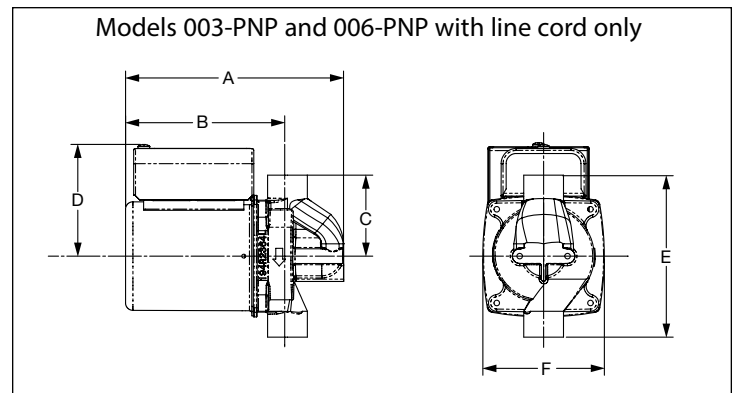
DIGITAL TIMER															
MODEL	CONNECTION	A		B		C		D		E		F		SHIP WGT.	
		in.	mm	in.	mm	in.	mm	in.	mm	in.	mm	in.	mm	lbs.	kg
003B-RECIRC-DT	1/2" Sweat	5-1/8	130	4-1/8	105	2-3/16	56	3-1/16	78	4-13/32	112	3-5/16	84	6.0	2.8
006B-RECIRC-DT	3/4" Sweat	5-1/8	130	4-1/8	105	2-1/8	54	3-1/16	78	4-1/4	108	3-5/16	84	6.0	2.8

DIGITAL TIMER with INTEGRAL FLOW CHECK (IFC) [®]															
MODEL	CONNECTION	A		B		C		D		E		F		SHIP WGT.	
		in.	mm	in.	mm	in.	mm	in.	mm	in.	mm	in.	mm	lbs.	kg
006B-RECIRC-DT-IFC	3/4" Sweat	6	152	4-7/8	124	2 3/16	56	2-15/16	75	4-3/8	111	3-5/16	84	6.0	2.8

LINE CORD ONLY OPTION:

Application:

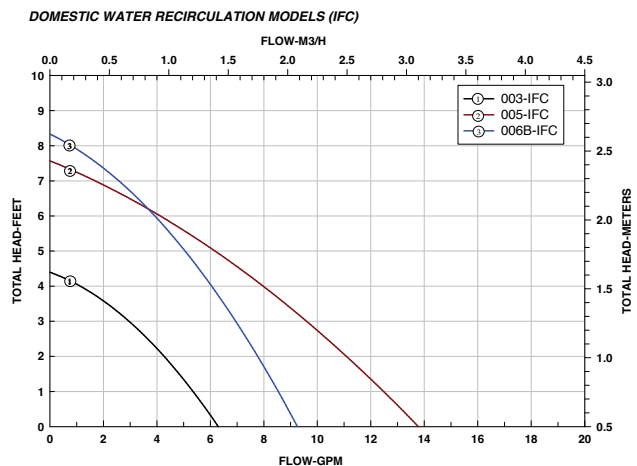
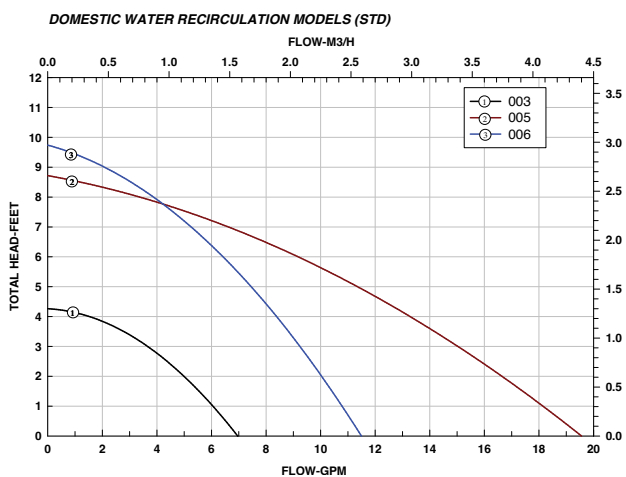
For recirculation systems setup for constant circulation or with an optional aquastat control, use Plumb n' Plug® with line cord only. Simply plumb it in and plug it in. Taco 003-PNP is ideal for recirculation loops. Its design operating condition of 3 gpm at 3 feet of head helps to reduce erosion and noise in system piping. Use the 003-PNP for systems up to 200 total feet (supply and return) of 3/4" pipe. Installation of isolation valves, pipe insulation and flow checks are recommended.



LINE CORD ONLY															
MODEL	CONNECTION	A		B		C		D		E		F		SHIP WGT.	
		in.	mm	in.	mm	in.	mm	in.	mm	in.	mm	in.	mm	lbs.	kg
003-BC4-4PNP	1/2" Sweat	5 1/8	130	4 7/8	105	2 3/16	56	3 1/16	78	4 13/32	112	3 5/16	84	6.5	2.9
003-B4-1PNP	3/4" Sweat					2 1/8	54			4 1/4	108				
003-ST4-1PNP	3/4" FNPT	5 5/8	143	4 7/8	124	2	51			4	102				
003-SC4-2PNP	Union	5 5/32	131	4 11/32	110	2 3/32	76			5 15/16	151				
006-BC4-2PNP	1/2" Sweat	5 1/8	130	4 7/8	105	2 3/16	56			4 13/32	112				
006-B4-1PNP	3/4" Sweat					2 1/8	54			4 1/4	108				
006-ST4-1PNP	3/4" FNPT	5 5/8	143	4 7/8	124	2	51			4	102				
006-SC4-2PNP	Union	5 5/32	131	4 11/32	110	2 3/32	76			5 15/16	151				

LINE CORD ONLY with INTEGRAL FLOW CHECK (IFC)®															
MODEL	CONNECTION	A		B		C		D		E		F		SHIP WGT.	
		in.	mm	in.	mm	in.	mm	in.	mm	in.	mm	in.	mm	lbs.	kg
003-BC4-7PNP	1/2" Sweat	6	152	4 7/8	124	2 3/16	56	2 15/16	75	4 3/8	111	3 5/16	84	6.5	2.9
003-BC4-6PNP	3/4" Sweat														
006-BC7-3PNP	1/2" Sweat														
006-BC7-2PNP	3/4" Sweat														

PERFORMANCE FIELD INFORMATION (60 Hz)



Taco, Inc., 1160 Cranston Street, Cranston, RI 02920 | Tel: (401) 942-8000
 Taco (Canada), Ltd., 8450 Lawson Road, Suite #3, Milton, Ontario L9T 0J8 | Tel: (905) 564-9422
 Visit our web site: www.TacoComfort.com | Printed in USA | ©2024 Taco, Inc.