

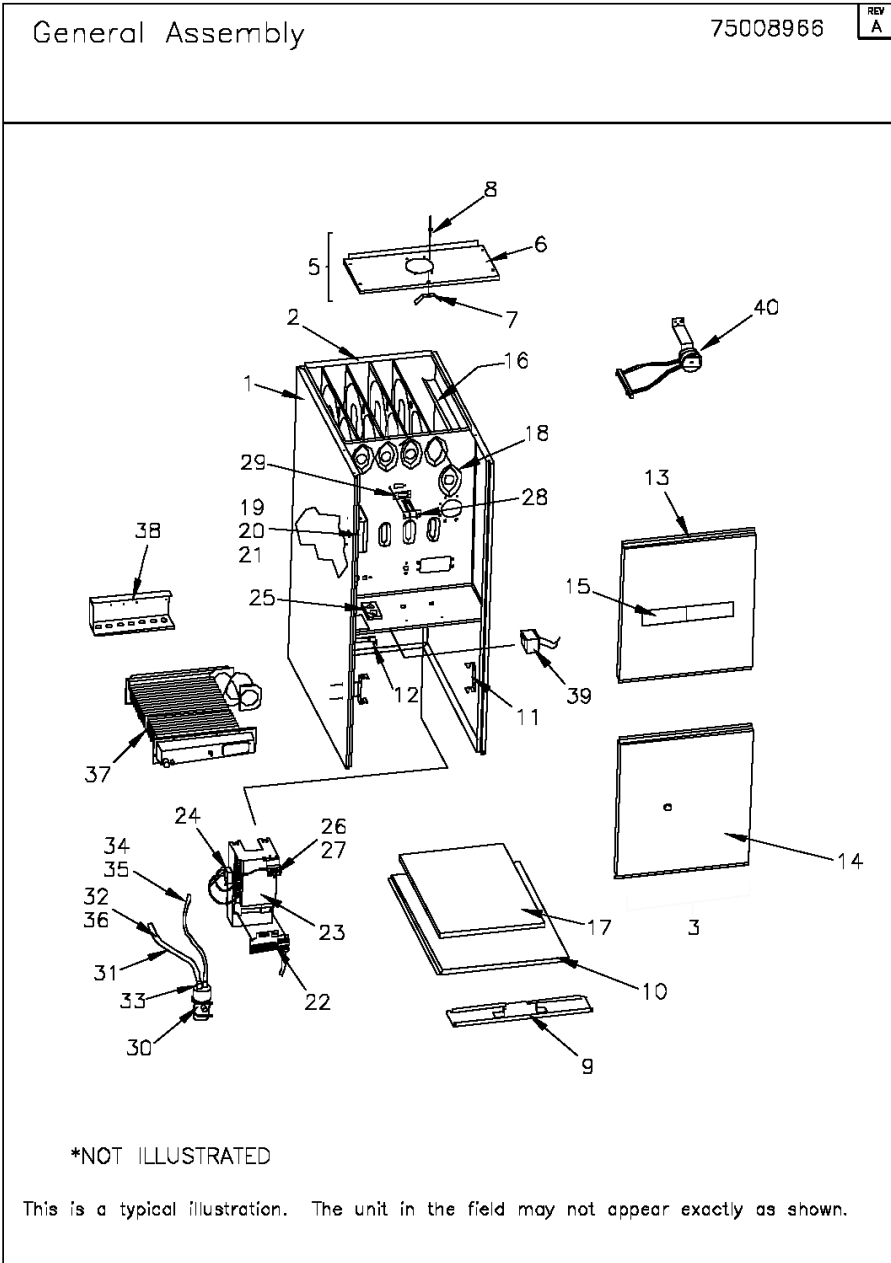
Part No.	Reference No.	Quantity	Description
75000983#FURUP207~S	*		BLOWER ASSEMBLY
75000984#FURUP207~S	*		BURNER ASSEMBLY
FUR207_FURUP207_124590~P	*		FURUP207 PARTS LIST
75008966#FURUP207~S	*		GENERAL ASSEMBLY
75008969#FURUP207~S	*		INDUCED BLOWER AND FLUE ASSEMBLY
75010797#FURUP207~S	*		INTEGRATED FURNACE CONTROL
75008940#FURUP207~S	*		MODEL NUMBER DESCRIPTION

NO GRAPHIC AVAILABLE

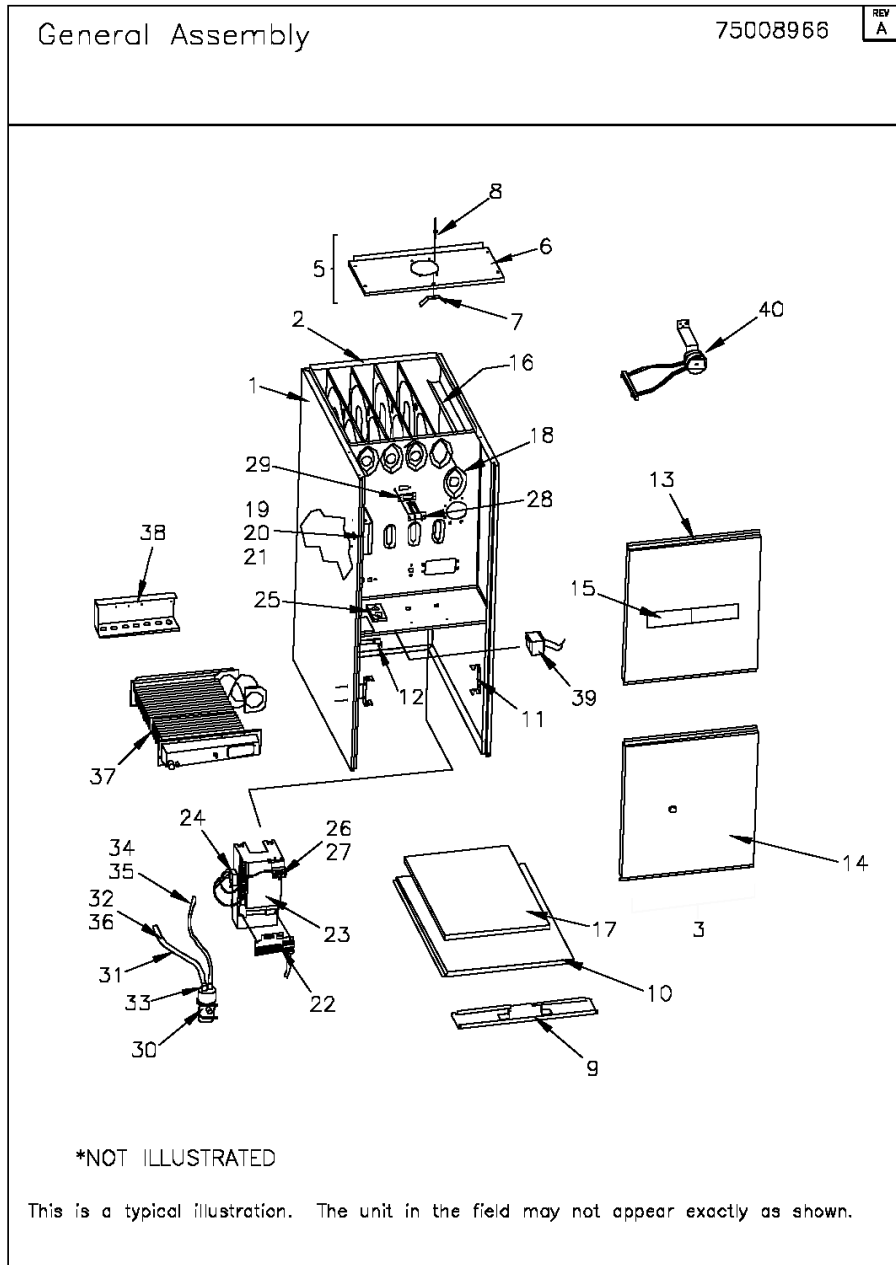
75013702

REV
A

**NO
GRAPHIC
AVAILABLE**



Part No.	Reference No.	Quantity	Description
75008966_FURUP207_161445~P	*		GENERAL ASSEMBLY PARTS LIST

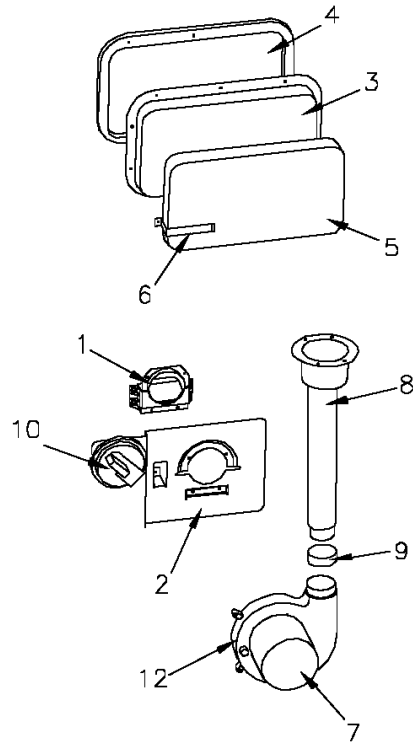


Part No.	Reference No.	Quantity	Description
CLP00882	*	2	CLIP; LATCH
GRM00217	*	1	GROMMET; BURNER BOX ENTRY SEAL
HSE01575	*	1	HOSE; ASSEMBLY INCLUDES BARBED TEE FITTING
HSE01576	*	1	HOSE; ASSEMBLY INCLUDES 2 BARBED TEE FITTINGS, AND 5 SECTIONS OF HOSE
LAT00833	*	2	LATCH; 1/4 TURN LATCH, BLACK KNOB, NICKEL BARREL. INCLUDES LATCH CLIP CLP00882.
MOD01574	*	1	MODULE; TO ORDER-SEE EXT NOTE
PAI00074	*	1	PAINT; SPRAY, SLATE GREY, FULL GLOSS(88) (SHIPPING UOM 12 OZ HAZ)
PLT03668	*	1	PLATE; DOOR MOUNTING, UPFLOW 90% FURNACE, 17.50 CABINET SIZE
PLU00510	*	1	PLUG;
PNL24281	*	1	PANEL; BLOWER DECK 27.86 X 17.41
SHD00241	*	1	SHIELD; RADIATION
TUB08058	*	1	TUBE-FEMALE TRANSFER
TUB12310	*	1	TUBE;MALE TRANSFER
WIR04868	*	1	WIRE; HARNESS - 4 PIN VSIM
WIR04873	*	1	WIRE; HARNESS, 2 PIN GAS VALVE, 15 PIN CONTROL, 4 PIN INDUCER
WIR05286	*	1	WIRE; FURNACE MISC. 16 AWG, 9 INCHES
WIR07765	*	1	WIRE; HARNESS, VSIM, CONTROL BOARD (4 CONNECTORS), BLOWER (9 PIN), IGNITOR (2 PIN)
CBT01502	1	1	CABINET; REPLACEMENT WRAPPER ASSEMBLY
EXC02142	2	1	EXCHANGER; HEAT EXCHANGER WITH RCT00852
COV02144	5	1	COVER;TOP PANEL ASSEMBLY COMPLETE WITH SPG0309 AND RIV0071
COV02496	6	1	COVER; TOP COVER ONLY. PAINTED. COMPLETE ASM. IS COV02144.
SPG00309	7	1	SPRING; DOOR RETAINER,INCLUDED IN COVER ASSEMBLY
RIV00071	8	1	RIVET; POP, QTY 100 PER BOX COMPLETE COVER ASSEMBLY WILL INCLUDE THIS
CNL01929	9	1	CHANNEL; BOTTOM
PNN03250	10	1	PANEL; BOTTOM
CLP00365	11	1	CLIP; FILTER
RTR00133	12	1	RETAINER, FILTER
DOR02747	13	1	DOOR; BURNER ONLY
DOR04259	14	1	DOOR; BLOWER, 19.11 X 16.65, INCLUDES LATCHES
PLT04532	15	1	PLATE; NAMEPLATE ASSEMBLY TRANE XC95M
FLR01486	17	1	FILTER; PERMANENT, 25 X 16.5 X 1IN.
IRT00020	18	3	INSERT; BURNER
BOX01499	19	1	BOX; JUNCTION BOX
COV03320	20	1	COVER; JUNCTION BOX COVER
BUS00300	21	1	BUSHING; STRAIN RELIEF
SWT01611	28	1	SWITCH; THERMAL LIMIT OPEN AT 170F, CLOSE AT 140F, 5.8FLA @ 120V
GKT03506	29	1	GASKET; LIMIT SWITCH
SEP00243	30	1	SEPARATOR; CANISTER ASSEMBLY
TUB11751	31	1	TUBE; CONDENSATE TUBE ASSEMBLY, COLD HEADER TO CANISTER TRAP. INCLUDES HOSE AND CLAMP.
TUB11758	32	1	TUBE; CONDENSATE TUBE ASSEMBLY, TRAP TO FURNACE CABINET (FIELD CONNECTION). INCLUDES HOSE, CLAMP, BARBED ADAPTER AND COUPLING
TUB11750	34	1	TUBE; CONDENSATE TUBE ASSEMBLY, INDUCER TO CANISTER TRAP. INCLUDES HOSE AND CLAMP.
COL09285	37	1	COIL; RECOUP ASSEMBLY
SUP02791	38	1	SUPPORT; HEAT EXCHANGER
SWT03182	40	1	SWITCH; PRESSURE, .65 SET POINT, SPDT NORMALLY OPEN SNAP ACTION CONTACTS

Induced Blower & Flue Assembly

75008969

REV
A



This is a typical illustration. The unit in the field may not appear exactly as shown.

Parts List Number :FUR207#FURUP207

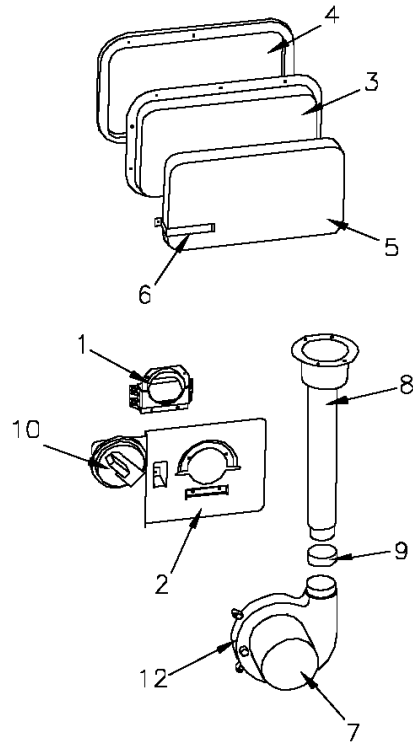
Model Number :TUHMB060ACV3VBB

Part No.	Reference No.	Quantity	Description
75008969_FURUP207_161451~P	*		INDUCED BLOWER AND FLUE ASSEMBLY PARTS LIST

Induced Blower & Flue Assembly

75008969

REV
A

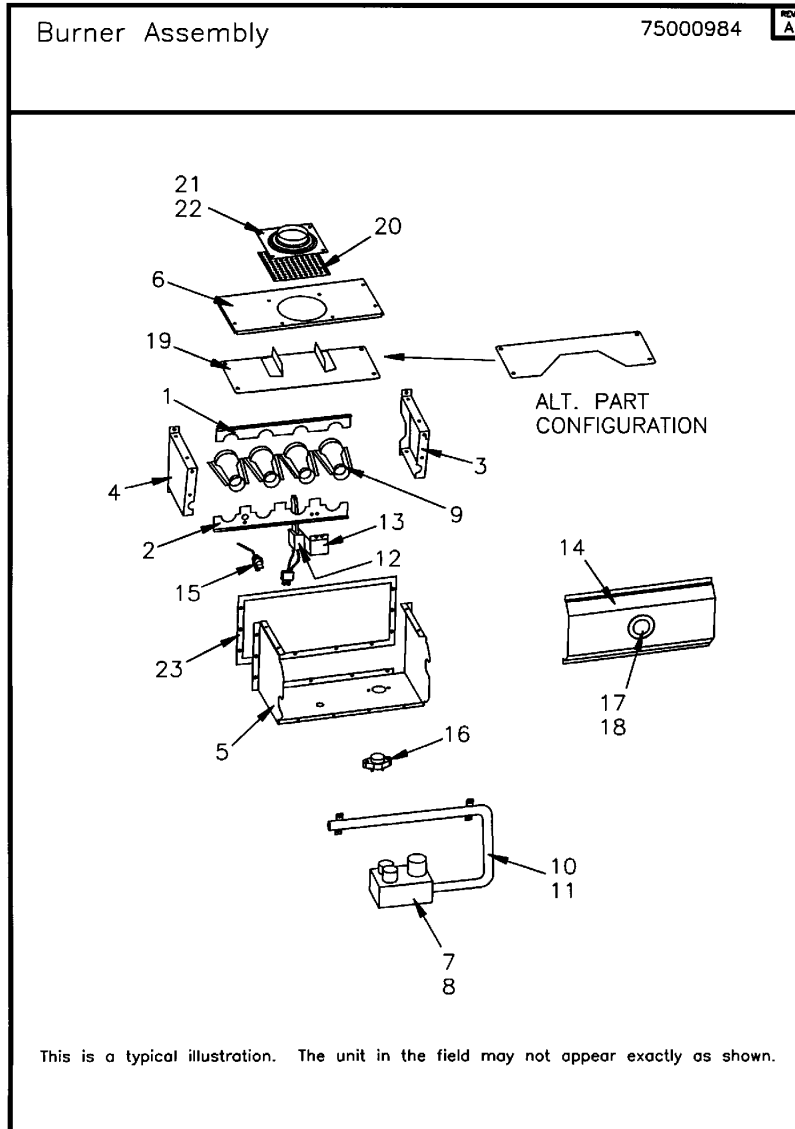


This is a typical illustration. The unit in the field may not appear exactly as shown.

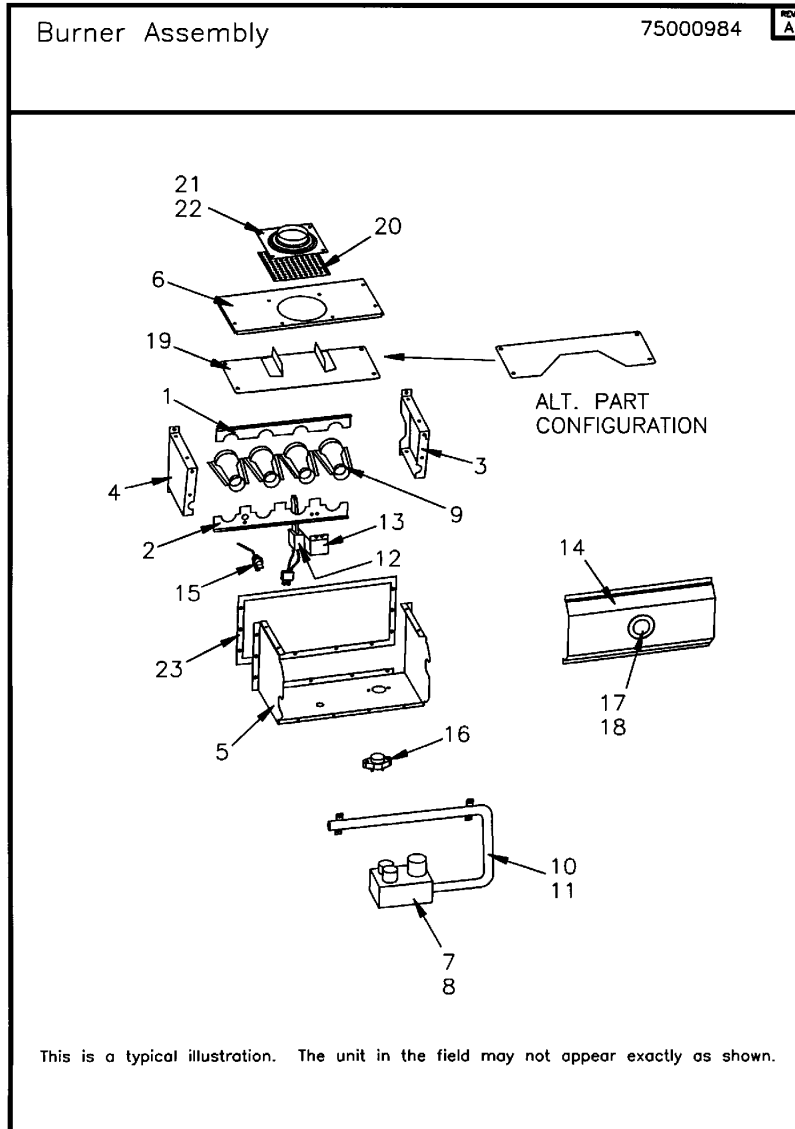
Parts List Number :FUR207#FURUP207

Model Number :TUHMB060ACV3VBB

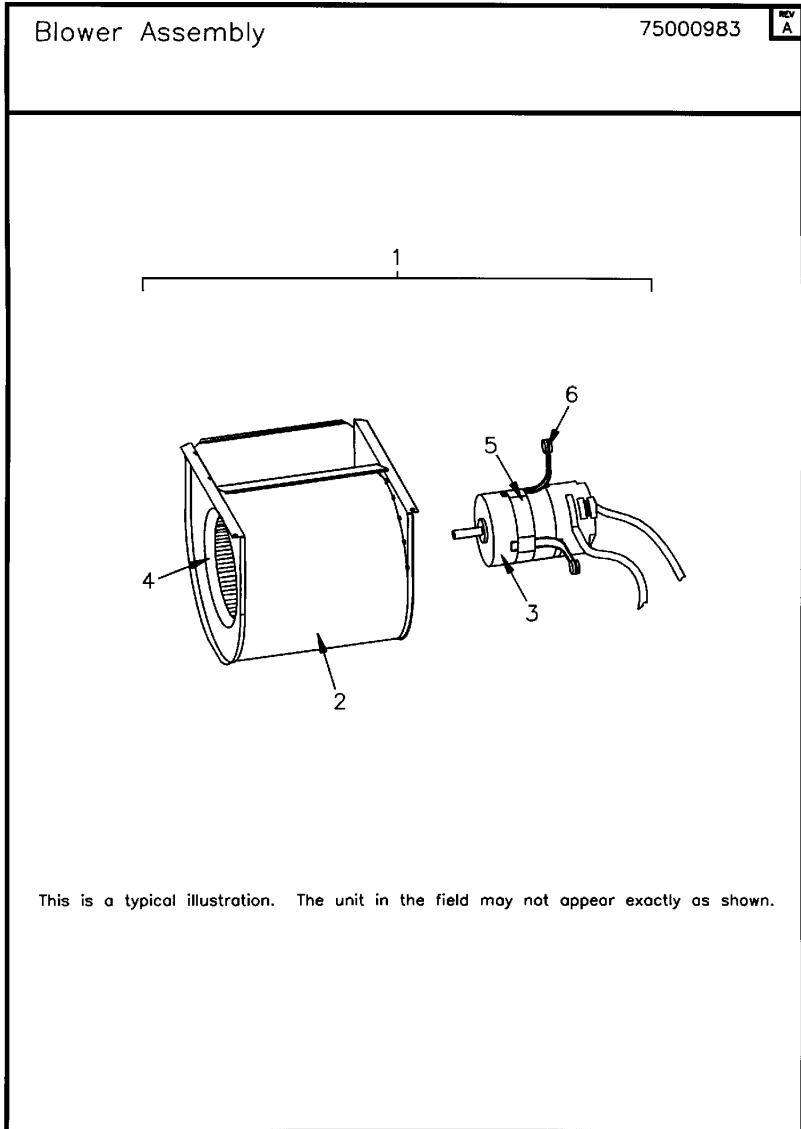
Part No.	Reference No.	Quantity	Description
INS02381	*	1	INSULATION; SWITCH
SWT02685	*	1	SWITCH; LIMIT INDUCER, OPEN 155 DEG, CLOSE 95 DEG F
WIR04869	*	1	WIRE; HARNESS - COMMUNICATION TO BLOWER, 3 CONNECTORS (2 MALE, 1 FEMALE)
RCT00851	1	1	RECEPTACLE; TRANSITION INCLUDING FOUR MOUNTING SCREWS
MNT02266	2	1	MOUNT; INDUCER MOTOR MOUNTING PLATE, GALVANIZED STEEL
BOX00579	3	1	BOX; FLUE COLLECTOR
GKT02604	4	1	GASKET;COLLECTOR BOX
INS01972	5	1	INSULATION; COLLECTOR BOX
BLW00879	7	1	BLOWER; INDUCER, 3-PHASE
PIP00364	8	1	PIPE; FLUE, MOLDED
SWT02978	10	1	SWITCH; DUAL PRESSURE, 28 VA PILOT DUTY 24 VAC, 125 VA PILOT DUTY 120 VAC. , 1/10 HP, 3 FLA, 18 LRA 24 VAC. HIGH SIDE OPEN AT 1.31 WC, CLOSE AT 1.57 WC. LOW SIDE OPEN AT 0.61 WC, CLOSE AT 0.81 WC



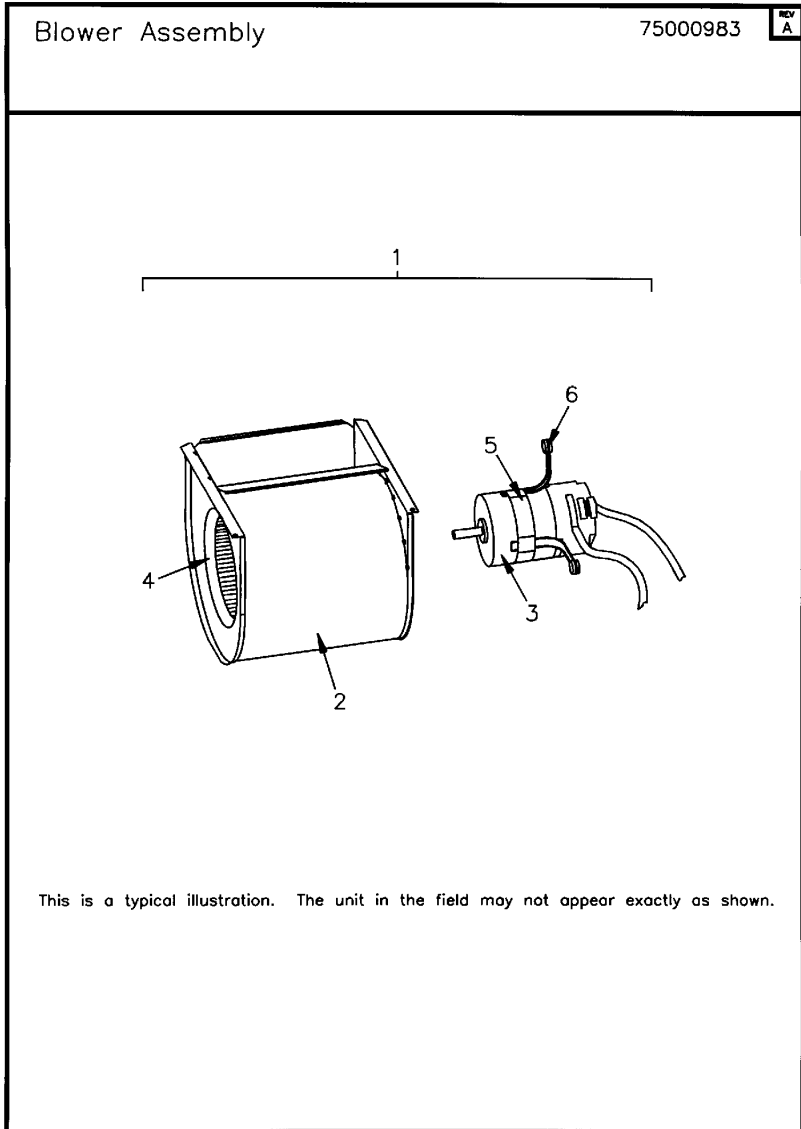
Part No.	Reference No.	Quantity	Description
75000984_FURUP207_161444~P	*		BURNER ASSEMBLY PARTS LIST



Part No.	Reference No.	Quantity	Description
BRK01960	1	1	BRACKET; TOP
BRK01527	2	1	BRACKET; BURNER
SUP02126	3	1	SUPPORT; BURNER-LEFT HAND
SUP02127	4	1	SUPPORT; BURNER-RIGHT HAND
BOX01403	5	1	BOX; DIRECT VENT
COV02560	6	1	COVER; TOP, DIRECT VENT
VAL10381	7	1	VALVE; GAS, 3 STAGE, MODULATING , 24 VOLT, 50/60HZ
BNR01074	9	3	BURNER; ALUMINUM STL, .50 INSERT DIA, TOG-L-LOC
ORF01427	10	3	ORIFICE; SPUD, DRILL #45, BRASS
MFD00735	11	1	MANIFOLD, GAS
IGN00152	12	1	MIN=12/12 IGNITER; SILICON-NITRIDE, 120V, INCLUDES BRACKET AND SCREWS
BRK03336	13	1	BRACKET; SiNi IGNITOR BRACKET
COV04438	14	1	COVER; FRONT ASM DV
SEN01114	15	1	SENSOR; FLAME, NIKROTHAL 80 MATERIAL
SWT03525	16	1	SWITCH; FLAME ROLLOUT, 200 DEGREES F, AUTO RESET, CLOSING TEMP. 150
GLS00820	18	1	GLASS; SIGHT
PLT04410	19	1	PLATE; DEFLECTOR, 9.10 INCHES BY 4.75 INCHES
GKT03082	21	1	GASKET; INLET, 4.0 X 4.0 NONWOVEN FIBERGLASS
ADP01052	22	1	ADAPTER; FLUE CONNECTOR WITH PERFORATED AIR DIFFUSER, 2 INCH DIAMETER, PLASTIC



Part No.	Reference No.	Quantity	Description
75000983_FURUP207_350849~P	*		BLOWER ASSEMBLY PARTS LIST



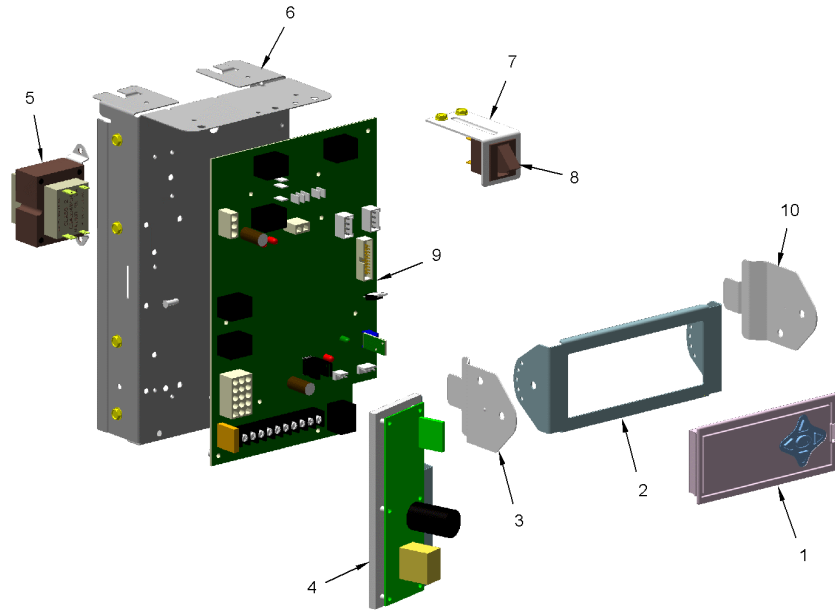
Part No.	Reference No.	Quantity	Description
BLW01374	1	1	BLOWER; REPLACEMENT BLOWER ASSEMBLY
HUS03093	2	1	HOUSING; BLOWER
MOT13935	3	1	MOTOR; VARIABLE SPEED, 1/2 HP, 6.2 AMPS AT 120V, 2.7 AMPS AT 240V, 50/60 HZ, 1250/VAR RPM
WHL00496	4	1	WHEEL; BLOWER, 10 INCH DIA X 8 INCH WIDTH, 1/2 INCH BORE, CONVEX, CW
BND00026	5	1	BAND; MOTOR MOUNT
BRK03779	6	4	BRACKET; MOTOR ARM, 4.8 X 3.0

INTEGRATED FURNACE CONTROL

75010797

REV.
A

TYPICAL ILLUSTRATION



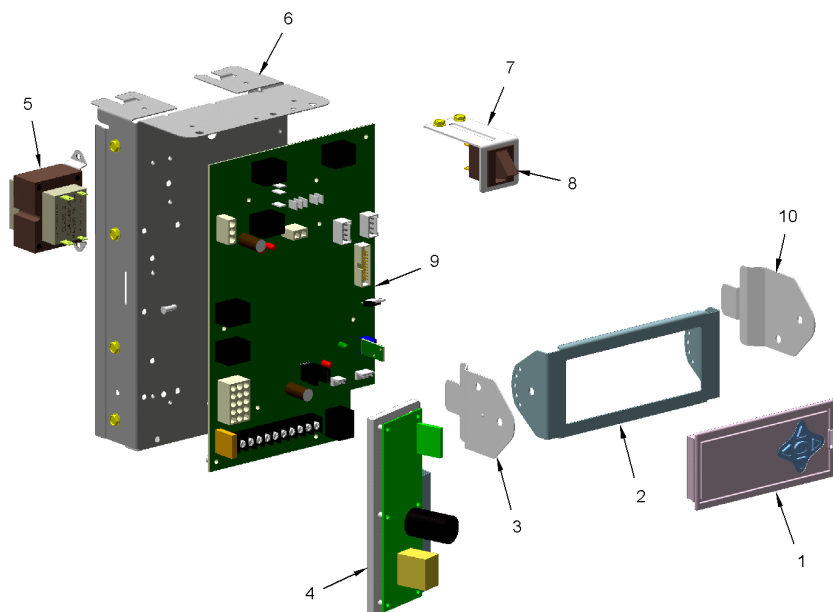
Part No.	Reference No.	Quantity	Description
75010797_FURUP207_124599~P	*		INTEGRATED FURNACE CONTROL PARTS LIST

INTEGRATED FURNACE CONTROL

75010797

REV.
A

TYPICAL ILLUSTRATION



Parts List Number :FUR207#FURUP207

Model Number :TUHMB060ACV3VBB

Part No.	Reference No.	Quantity	Description
SCR00968	*	6	SCREW; 10-16 HEX WASHER, TYPE B, THREAD FORMING SCREW, 0.31 THREAD LENGTH, STEEL W/ZINC FINISH
CNT06058	1	1	CONTROL; USER INTERFACE - DISPLAY ASSEMBLY
BRK03798	2	1	BRACKET; FACE - C, 6.85 X 2.91 INCH
BRK03796	3	1	BRACKET; LEG - C, 2.5 X 4.27 INCH
CNT06883	4	1	CONTROL; VARIABLE SPEED IFC DRIVE ASSEMBLY (VSIM). INCLUDES: CONTROL, BRACKET AND INSULATION
TRR01816	5	1	TRANSFORMER;
MNT02206	6	1	MOUNT; IFC CONTROL PLATFORM
BRK01989	7	1	BRACKET; DOOR SWITCH
SWT01714	8	1	SWITCH; DOOR SPST, 21 AMP, 125/250VAC
CNT07080	9	1	CONTROL; INTEGRATED FURNACE CONTROL, MODULATING
BRK03796	10	1	BRACKET; LEG - C, 2.5 X 4.27 INCH

MODEL NUMBER	DESCRIPTION	75008940	REV A
FURNACES			
T U D 1 A 0 8 0 A 9 3 6 1 A A 1 2 3 4 5 6 7 8 9 10 11 12 13 14 15			
Digit 1 Brand T = Trane A = American Standard C = Standard	Digit 2 Configuration U = Upflow or Upflow / Horizontal H = Horizontal D = Downflow	Digit 3 Product Family E = 80% Induced Draft Standard D = 80% Induced Draft Premium C = 90% Condensing Standard 1 or 2 Pipe X = 90% Condensing Premium 1 or 2 Pipe H = 95% Condensing Premium 1 or 2 Pipe	Digit 10 Voltage 9 = 115 Volts / 60hz / Natural Gas A = 115 Volts / 50hz / Natural Gas C = 115 Volts / 60hz / Natural Gas Communicating System control F = 115 Volts / 60hz / Natural Gas With Integrated Electronic Filter D = 115 Volts / 60hz / Natural Gas With Communicating System & Integrated Electronic Filter
Digit 4 Heating Stages 1 = Single Stage 2 = Two Stage 3 = Three Stage M = Modulating	Digit 5 A = 14.5" Cabinet Width B = 17.5" Cabinet Width C = 21.0" Cabinet Width D = 24.5" Cabinet Width	Digit 11 & 12 Air Flow 36 = 3 Ton Standard PSC motor H3 = 3 Ton High Efficiency Motor V3 = 3 Ton Variable Speed Motor	Digit 13 Draft Inducer Speed 1 = Single Speed 2 = Two Speeds V = Variable Speed
Digit 6,7,8 Capacity 080 = Heating Input MBTUH	Digit 9 Major Modification A = Major Design Change	Digit 14 Minor Design Change A = Minor Design Change	Digit 15 Service Digit A = Service Digit

Part No.	Reference No.	Quantity	Description
75008940_FURUP207_124595~P	*		MODEL NUMBER DESCRIPTION PARTS LIST

MODEL NUMBER	DESCRIPTION	75008940	REV A
FURNACES			
<p>T U D 1 A 0 8 0 A 9 3 6 1 A A</p> <p>1 2 3 4 5 6 7 8 9 10 11 12 13 14 15</p>			
<p>Digit 1 Brand T = Trane A = American Standard C = Standard</p> <p>Digit 2 Configuration U = Upflow or Upflow / Horizontal H = Horizontal D = Downflow</p> <p>Digit 3 Product Family E = 80% Induced Draft Standard D = 80% Induced Draft Premium C = 90% Condensing Standard 1 or 2 Pipe X = 90% Condensing Premium 1 or 2 Pipe H = 95% Condensing Premium 1 or 2 Pipe</p> <p>Digit 4 Heating Stages 1 = Single Stage 2 = Two Stage 3 = Three Stage M = Modulating</p> <p>Digit 5 A = 14.5" Cabinet Width B = 17.5" Cabinet Width C = 21.0" Cabinet Width D = 24.5" Cabinet Width</p> <p>Digit 6,7,8 Capacity 080 = Heating Input MBTUH</p> <p>Digit 9 Major Modification A = Major Design Change</p>	<p>Digit 10 Voltage 9 = 115 Volts / 60hz / Natural Gas A = 115 Volts / 50hz / Natural Gas C = 115 Volts / 60hz / Natural Gas Communicating System control F = 115 Volts / 60hz / Natural Gas With Integrated Electronic Filter D = 115 Volts / 60hz / Natural Gas With Communicating System & Integrated Electronic Filter</p> <p>Digit 11 & 12 Air Flow 36 = 3 Ton Standard PSC motor H3 = 3 Ton High Efficiency Motor V3 = 3 Ton Variable Speed Motor</p> <p>Digit 13 Draft Inducer Speed 1 = Single Speed 2 = Two Speeds V = Variable Speed</p> <p>Digit 14 Minor Design Change A = Minor Design Change</p> <p>Digit 15 Service Digit A = Service Digit</p>		

