

| <b>Part No.</b>        | <b>Reference No.</b> | <b>Quantity</b> | <b>Description</b>               |
|------------------------|----------------------|-----------------|----------------------------------|
| 75001121#TDEUP25~S     | *                    |                 | BLOWER ASSEMBLY                  |
| 75000676#TDEUP25~S     | *                    |                 | BURNER ASSEMBLY                  |
| 75004162#TDEUP25~S     | *                    |                 | GENERAL ASSEMBLY                 |
| 75000675#TDEUP25~S     | *                    |                 | INDUCED BLOWER AND FLUE ASSEMBLY |
| 75008227#TDEUP25~S     | *                    |                 | MODEL NOMENCLATURE               |
| TDE25_TDEUP25_109905~P | *                    |                 | TDEUP25 PARTS LIST               |

NO GRAPHIC AVAILABLE

75013702

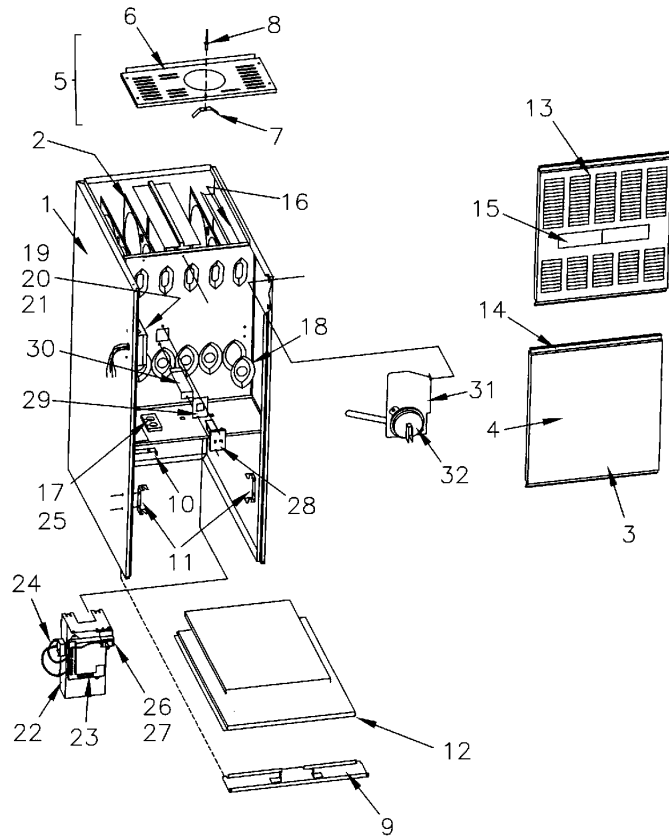
REV  
A

**NO  
GRAPHIC  
AVAILABLE**

General Assembly

75004162

REV  
A



\*NOT ILLUSTRATED

This is a typical illustration. The unit in the field may not appear exactly as shown.

| Part No.                  | Reference No. | Quantity | Description                 |
|---------------------------|---------------|----------|-----------------------------|
| 75004162_TDEUP25_340176~P | *             |          | GENERAL ASSEMBLY PARTS LIST |

General Assembly

75004162

REV  
A



\*NOT ILLUSTRATED

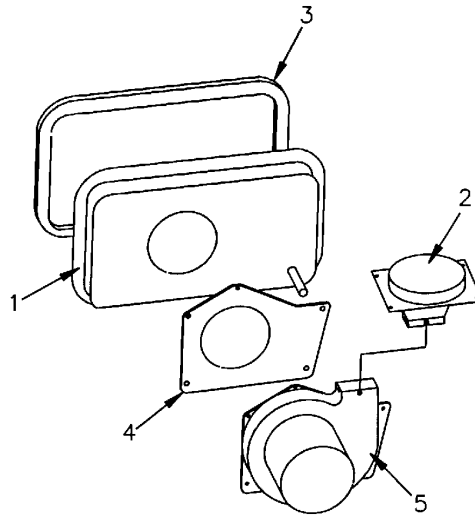
This is a typical illustration. The unit in the field may not appear exactly as shown.

| Part No. | Reference No. | Quantity | Description  |
|----------|---------------|----------|--|
| CLP00887 | *             | 1        | CLIP; FILTER RETAINER ASSEMBLY. INCLUDES: SPG00309 AND RTR00133  |
| DOR03130 | *             | 1        | DOOR; REPLACEMENT BURNER ASSEMBLY W/HANDLE. FOR DOOR ONLY USE DOR03126   |
| GKT01700 | *             | 1        | MIN=6/6 GASKET; ADAPTER 0.25 X 0.75 X 3.22   |
| GLS00164 | *             | 1        | PLUG; 0.75 MTG HOLE SNAP-IN  |
| HDL00832 | *             | 1        | HANDLE; DOOR HANDLE  |
| PIP00343 | *             | 1        | PIPE; COMPOUND   |
| TUB08301 | *             | 1        | TUBE; PRESSURE SWITCH, STAINLESS STEEL, .025 O.D. .035 WALL THK.   |
| WIR01996 | *             | 1        | WIRE;HARNES IGNITOR TO CONTROL TO INDUCED DRAFT BLOWER   |
| WIR02359 | *             | 1        | WIRE;12 PIN WIRE HARNES ASSEMBLY   |
| CBT01400 | 1             | 1        | CABINET; REPLACEMENT WRAPPER ASSEMBLY  |
| EXC00997 | 2             | 1        | EXCHANGER; HEAT  |
| DOR00939 | 3             | 1        | DOOR; FURNACE DOOR ASSEMBLY, INCLUDES GLS0164 AND CLP00883. PAINT: POLYSLATE GRAY, DOOR ONLY IS DOR00657         |
| DOR00657 | 4             | 1        | DOOR; FURNACE DOOR ONLY, WITH SIGHT GLASS HOLE.  |
| COV03066 | 5             | 1        | COVER; REPLACEMENT TOP COVER ASSEMBLY  |
| COV03164 | 6             | 1        | COVER; PANEL, TOP ONLY   |
| SPG00309 | 7             | 1        | SPRING; DOOR RETAINER,INCLUDED IN COVER ASSEMBLY   |
| RIV00071 | 8             | 1        | RIVET; POP, QTY 100 PER BOX COMPLETE COVER ASSEMBLY WILL INCLUDE THIS  |
| CNL00954 | 9             | 1        | CHANNEL; BOTTOM  |
| RTR00133 | 10            | 1        | RETAINER, FILTER   |
| CLP00365 | 11            | 1        | CLIP; FILTER   |
| DOR03126 | 13            | 1        | DOOR; BURNER ONLY WITH HANDLE CUTOUT, LOUVERED, COLOR: POLYSLATE GRAY. 19.96 X 13.63, FOR ASSEMBLY USE DOR03130  |
| CLP00883 | 14            | 1        | CLIP; ACCESS PANEL   |
| PLT04235 | 15            | 1        | PLATE; TRANE XB APPEARANCE NAMEPLATE, 6.00 X 1.46  |
| BAF00853 | 16            | 2        | BAFFLE; HEAT EXCHANGER   |
| IRT00020 | 18            | 3        | INSERT; BURNER   |
| BOX01499 | 19            | 1        | BOX; JUNCTION BOX  |
| COV03320 | 20            | 1        | COVER; JUNCTION BOX COVER  |
| BUS00300 | 21            | 1        | BUSHING; STRAIN RELIEF   |
| MNT02206 | 22            | 1        | MOUNT; IFC CONTROL PLATFORM  |
| CNT02789 | 23            | 1        | CONTROL: INTEGRATED FURNACE, 1 STAGE   |
| TRR01816 | 24            | 1        | TRANSFORMER;   |
| GRM00855 | 25            | 1        | GROMMET; 1.75 WIDE X .18 THICK, MOLDED CHLOROPRENE, 80 DUROMETER   |
| BRK01989 | 26            | 1        | BRACKET; DOOR SWITCH   |
| SWT01714 | 27            | 1        | SWITCH; DOOR SPST, 21 AMP, 125/250VAC  |
| SWT01272 | 28            | 1        | SWITCH;THERMAL LIMIT, OPEN AT 250, CLOSE AT 220 DEG. F   |
| SHD00194 | 30            | 1        | SHIELD;LIMIT   |
| SWT02293 | 32            | 1        | SWITCH; PRESSURE, 1 POLE, N.O., 1/10 HP, 3 FLA, 18 LRA, 120 VAC, OPEN AT -0.45 TO -0.55 WC, CLOSE AT -0.65 (IS2) |
| HSE00334 | 38            | 1        | HOSE; PRESSURE SWITCH  |

Induced Blower and Flue Assembly

75000675

REV  
A



This is a typical illustration. The unit in the field may not appear exactly as shown.

Parts List Number :TDE25#TDEUP25

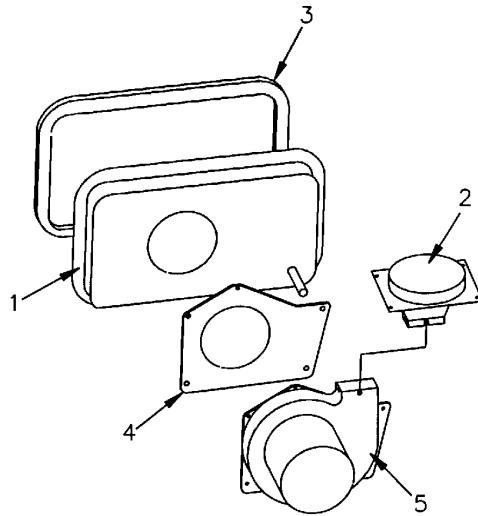
Model Number :TUE1A060A9241AC

| Part No.                  | Reference No. | Quantity | Description                                 |
|---------------------------|---------------|----------|---|
| 75000675_TDEUP25_122084~P | *             |          | INDUCED BLOWER AND FLUE ASSEMBLY PARTS LIST |

Induced Blower and Flue Assembly

75000675

REV  
A



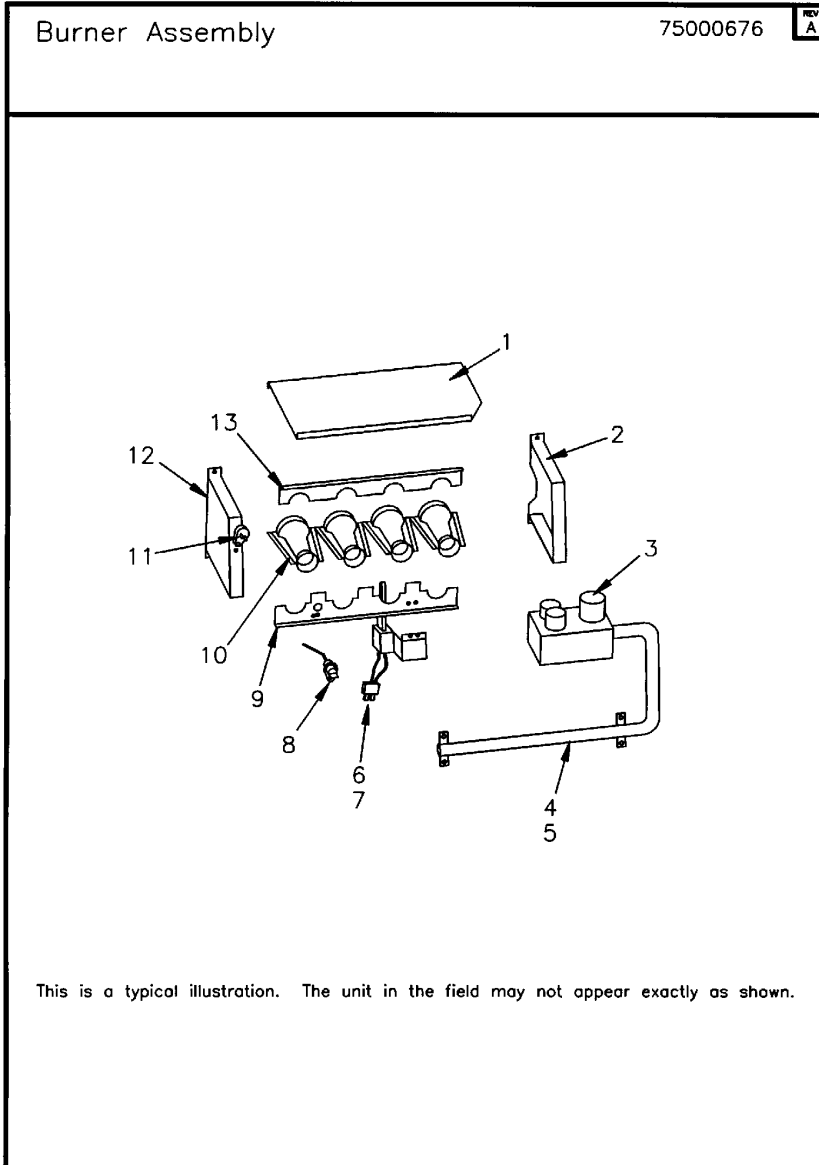
This is a typical illustration. The unit in the field may not appear exactly as shown.

## INDUCED BLOWER AND FLUE ASSEMBLY PARTS LIST

Parts List Number :TDE25#TDEUP25

Model Number :TUE1A060A9241AC

| <b>Part No.</b> | <b>Reference No.</b> | <b>Quantity</b> | <b>Description</b>                |
|-----------------|----------------------|-----------------|-----------------------------------|
| FLU00140        | 1                    | 1               | FLUE; COLLECTOR ASSEMBLY          |
| ADP00337        | 2                    | 1               | ADAPTER; FLUE TRANSITION ASSEMBLY |
| GKT02603        | 3                    | 1               | GASKET;COLLECTOR BOX              |
| GKT03081        | 4                    | 1               | GASKET; VENTER ASSEMBLY           |
| BLW00886        | 5                    | 1               | BLOWER; INDUCED, 1 STAGE          |

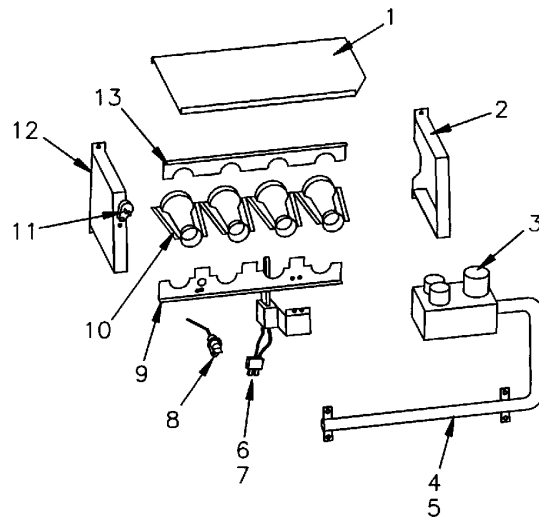


| Part No.                  | Reference No. | Quantity | Description                |
|---------------------------|---------------|----------|----------------------------|
| 75000676_TDEUP25_231038~P | *             |          | BURNER ASSEMBLY PARTS LIST |

Burner Assembly

75000676

REV  
A



This is a typical illustration. The unit in the field may not appear exactly as shown.

| Part No. | Reference No. | Quantity | Description  |
|----------|---------------|----------|--|
| COV03389 | 1             | 1        | COVER; BURNER, 9.10 LG   |
| SUP02127 | 2             | 1        | SUPPORT; BURNER-RIGHT HAND                                     |
| VAL09029 | 3             | 1        | VALVE; GAS, SLOW OPENING 1/2-14 NPT, 24V, 50/60 HZ, "J" SERIES |
| ORF00644 | 4             | 3        | ORIFICE;SPUD, #45 DRILL  |
| MFD00525 | 5             | 1        | MANIFOLD; ASSEMBLY FOR 3 BURNER                                |
| SUP03418 | 6             | 1        | SUPPORT; IGNITOR   |
| IGN00054 | 7             | 1        | IGNITOR; HOT SURFACE, 120V AT 3.5 AMP                          |
| SEN01114 | 8             | 1        | SENSOR; FLAME, NIKROTHAL 80 MATERIAL                           |
| BRK01527 | 9             | 1        | BRACKET; BURNER  |
| BNR01074 | 10            | 3        | BURNER; ALUMINUM STL, .50 INSERT DIA, TOG-L-LOC                |
| SWT02173 | 11            | 2        | SWITCH; SWITCH-FLAME ROLLOUT                                   |
| SUP02126 | 12            | 1        | SUPPORT; BURNER-LEFT HAND                                      |
| BRK01960 | 13            | 1        | BRACKET; TOP   |

Blower Assembly

75001121

REV  
B



This is a typical illustration. The unit in the field may not appear exactly as shown.

| Part No.                  | Reference No. | Quantity | Description                |
|---------------------------|---------------|----------|----------------------------|
| 75001121_TDEUP25_197315~P | *             |          | BLOWER ASSEMBLY PARTS LIST |

Blower Assembly

75001121

REV  
B



This is a typical illustration. The unit in the field may not appear exactly as shown.

| Part No. | Reference No. | Quantity | Description   |
|----------|---------------|----------|---|
| BLW00547 | 1             | 1        | BLOWER; COMPLETE ASM.   |
| HUS01621 | 2             | 1        | HOUSING;BLOWER  |
| MOT07614 | 3             | 1        | MOTOR; 1/5 HP, 115/60/1, 1080RPM,48FRM,TYPE PSC, SLEEVE BEARING, 7.5 MFD AT 370V, CCW, W/RESILIENT RING |
| WHL00740 | 4             | 1        | WHEEL; FAN, STEEL, 10.62 DIA X 6 WIDTH, 1/2 IN BORE, CW, CONVEX   |
| RNG00957 | 5             | 2        | RING; RESILIENT, 2.5 OD   |
| BRK00690 | 6             | 1        | BRACKET; ASSEMBLY, SHORT, 4.06 X 2.31, INCLUDES RING CUP  |
| BRK00691 | 7             | 1        | BRACKET; ASSEMBLY, LONG, 5.00 X 2.39, INCLUDES RING CUP   |
| SUP03399 | 8             | 3        | SUPPORT; HANGER   |
| CPT00477 | 9             | 1        | CAPACITOR; RUN, 7.5 MFD, 370VAC, OVAL, W/O RESISTOR   |
| SRP00841 | 10            | 1        | STRAP;  |
| SWT01777 | 11            | 1        | SWITCH; REVERSE FLOW OPEN AT 130F, CLOSE AT 115F 1/2 IN.  |

| MODEL NUMBER DESCRIPTION  |   | 75008227 | REV<br>A |
|---|---|----------|----------|
| FURNACES  |   |          |          |
| T U D 1 A 0 8 0 A 9 3 6 1 A A<br>1 2 3 4 5 6 7 8 9 10 11 12 13 14 15  |   |          |          |
| <p>Digit 1<br/>Brand<br/>T = Trane<br/>A = American Standard<br/>C = STANDARD</p> <p>Digit 2<br/>Configuration<br/>H = Horizontal<br/>U = Upflow or Upflow/Horizontal<br/>D = Downflow or Downflow/Horizontal<br/>M = Multiphase 4-Way</p> <p>Digit 3<br/>Product Family<br/>B = 80% Induced Draft Standard<br/>"Tradenames"<br/>E = 80% Induced Draft Standard<br/>D = 80% Induced Draft Premium<br/>C = 90% Condensing 1 Pipe<br/>X = 90% Direct Vent 1 or 2 Pipe</p> <p>Digit 4<br/>Heating Stages<br/>1 = Single Stage<br/>2 = Two Stage<br/>3 = Three Stage<br/>V = Modulating</p> <p>Digit 5<br/>Cabinet Width<br/>A = 14.5" Cabinet Width<br/>B = 17.5" Cabinet Width<br/>C = 21.0" Cabinet Width<br/>D = 24.5" Cabinet Width</p> <p>Digits 6,7,8<br/>Capacity<br/>080 = Heating Input MBTUH</p> | <p>Digit 9<br/>Major Modification<br/>A = Major Design Change</p> <p>Digit 10<br/>Voltage<br/>9 = 115 Volts / Natural Gas<br/>F = 115 Volts / Natural Gas with Integrated Electronic Filter</p> <p>Digits 11 &amp; 12<br/>Airflow-Blower Type<br/>36 = 3 Ton Standard PSC Motor<br/>H3 = 3 Ton High Efficiency Motor<br/>V3 = 3 Ton Variable Speed Motor</p> <p>Digit 13<br/>Draft Inducer Speed<br/>1 = Single Speed<br/>2 = Two speed<br/>V = Variable Speed</p> <p>Digit 14<br/>Minor Modification<br/>A = Minor Design Change</p> <p>Digit 15<br/>Service Digit<br/>A = Service Digit</p> |          |          |

| Part No.                  | Reference No. | Quantity | Description                   |
|---------------------------|---------------|----------|-------------------------------|
| 75008227_TDEUP25_109928~P | *             |          | MODEL NOMENCLATURE PARTS LIST |

| MODEL NUMBER DESCRIPTION  |   | 75008227 | REV<br>A |
|---|---|----------|----------|
| FURNACES  |   |          |          |
| T U D 1 A 0 8 0 A 9 3 6 1 A A<br>1 2 3 4 5 6 7 8 9 10 11 12 13 14 15  |   |          |          |
| <p><b>Digit 1</b><br/>Brand<br/>T = Trane<br/>A = American Standard<br/>C = STANDARD</p> <p><b>Digit 2</b><br/>Configuration<br/>H = Horizontal<br/>U = Upflow or Upflow/Horizontal<br/>D = Downflow or Downflow/Horizontal<br/>M = Multiphase 4-Way</p> <p><b>Digit 3</b><br/>Product Family<br/>B = 80% Induced Draft Standard<br/>"Tradenames"<br/>E = 80% Induced Draft Standard<br/>D = 80% Induced Draft Premium<br/>C = 90% Condensing 1 Pipe<br/>X = 90% Direct Vent 1 or 2 Pipe</p> <p><b>Digit 4</b><br/>Heating Stages<br/>1 = Single Stage<br/>2 = Two Stage<br/>3 = Three Stage<br/>V = Modulating</p> <p><b>Digit 5</b><br/>Cabinet Width<br/>A = 14.5" Cabinet Width<br/>B = 17.5" Cabinet Width<br/>C = 21.0" Cabinet Width<br/>D = 24.5" Cabinet Width</p> <p><b>Digits 6,7,8</b><br/>Capacity<br/>080 = Heating Input MBTUH</p> | <p><b>Digit 9</b><br/>Major Modification<br/>A = Major Design Change</p> <p><b>Digit 10</b><br/>Voltage<br/>9 = 115 Volts / Natural Gas<br/>F = 115 Volts / Natural Gas with Integrated Electronic Filter</p> <p><b>Digits 11 &amp; 12</b><br/>Airflow-Blower Type<br/>36 = 3 Ton Standard PSC Motor<br/>H3 = 3 Ton High Efficiency Motor<br/>V3 = 3 Ton Variable Speed Motor</p> <p><b>Digit 13</b><br/>Draft Inducer Speed<br/>1 = Single Speed<br/>2 = Two speed<br/>V = Variable Speed</p> <p><b>Digit 14</b><br/>Minor Modification<br/>A = Minor Design Change</p> <p><b>Digit 15</b><br/>Service Digit<br/>A = Service Digit</p> |          |          |

