

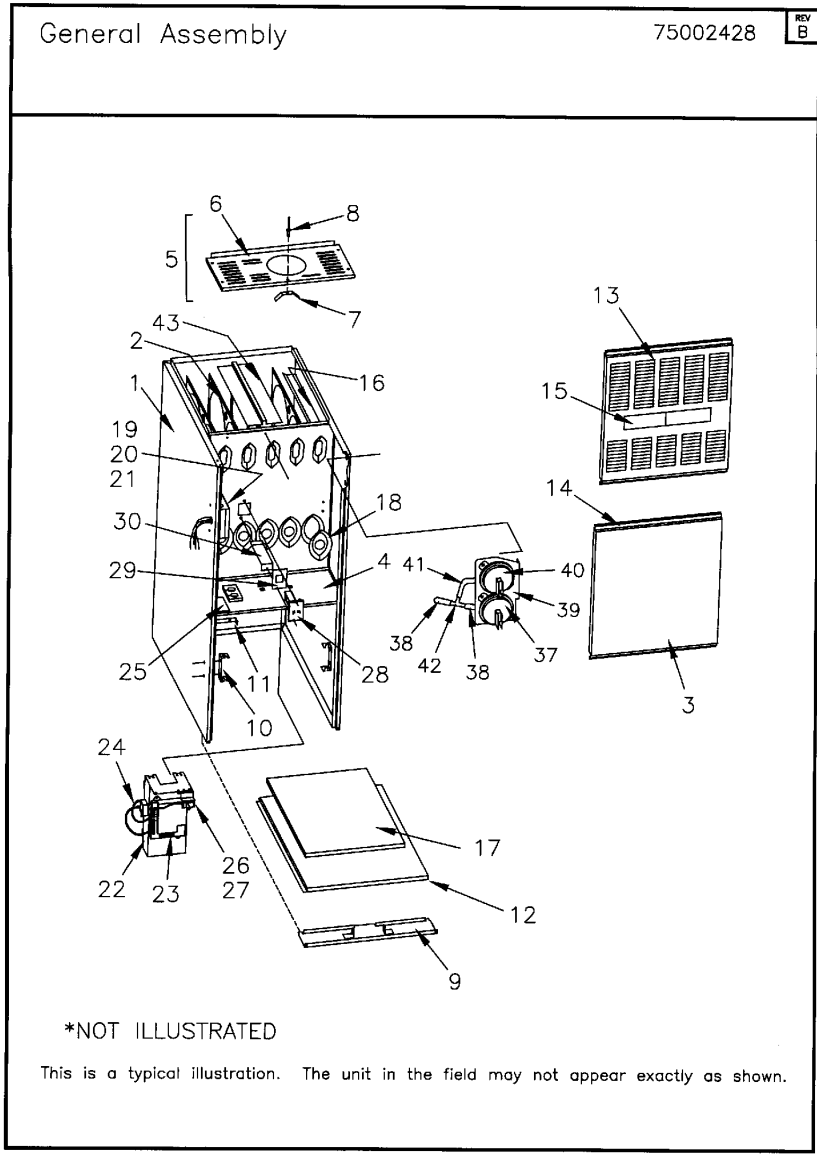
<b>Part No.</b>	<b>Reference No.</b>	<b>Quantity</b>	<b>Description</b>
75000983#FURUP198~S	*		BLOWER ASSEMBLY
75000676#FURUP198~S	*		BURNER ASSEMBLY
FUR198_FURUP198_117491~P	*		FURUP198 PARTS LIST
75002428#FURUP198~S	*		GENERAL ASSEMBLY
75000675#FURUP198~S	*		INDUCED BLOWER & FLUE ASSEMBLY
75000518#FURUP198~S	*		MODEL NUMBER NOMENCLATURE

NO GRAPHIC AVAILABLE

75013702

REV  
A

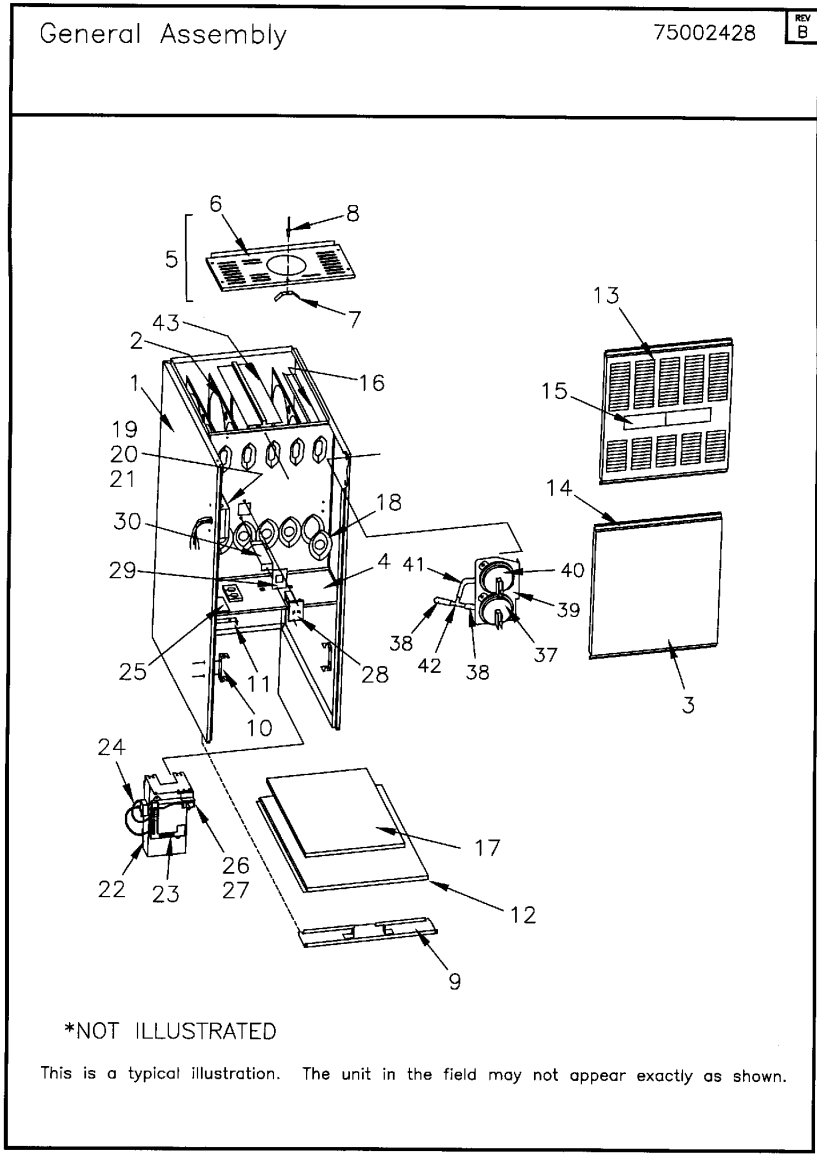
**NO  
GRAPHIC  
AVAILABLE**



Parts List Number :FUR198#FURUP198

Model Number :TUD2B060A9V3VBA

Part No.	Reference No.	Quantity	Description
75002428_FURUP198_176796~P	*		GENERAL ASSEMBLY PARTS LIST



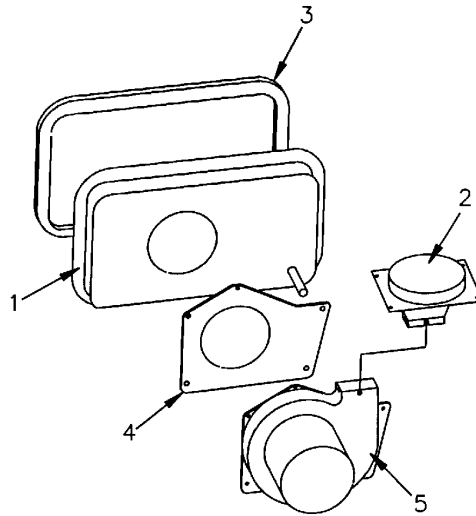
Part No.	Reference No.	Quantity	Description
CLP00882	*	1	CLIP; LATCH
CLP00884	*	1	CLIP; ACCESS PANEL
CON00371	*	1	CONNECTOR; 5 PIN MALE
CON00372	*	1	CONNECTOR; 3 PIN MALE
CON00373	*	1	CONNECTOR; 2 PIN FEMALE
CON00374	*	1	CONNECTOR; 12 PIN MALE
FLR03829	*	1	FILTER; REPLACEMENT FILTER RACK ASSEMBLY
GLS00164	*	1	PLUG; 0.75 MTG HOLE SNAP-IN
GRM00855	*	1	GROMMET; 1.75 WIDE X .18 THICK, MOLDED CHLOROPRENE, 80 DUROMETER
KIT07475	*	1	KIT; KIT, FILTER RACK (BAYRACK960A)
LAT00833	*	2	LATCH; 1/4 TURN LATCH, BLACK KNOB, NICKEL BARREL. INCLUDES LATCH CLIP CLP00882.
MNT01506	*	1	MOUNT; PLATFORM-JUNCTION BOX
PAI00074	*	1	PAINT; SPRAY, SLATE GREY, FULL GLOSS(88) (SHIPPING UOM 12 OZ HAZ)
PIP00343	*	1	PIPE; COMPOUND
PLT03594	*	1	PLATE; DOOR MOUNTING, UPFLOW, 17.50 CABINET SIZE
PLU00538	*	2	PLUG; POLARIZED, 16 PIN
TUB08301	*	1	TUBE; PRESSURE SWITCH, STAINLESS STEEL, .025 O.D. .035 WALL THK.
WIR01915	*	1	WIRE;HARNESS,VARIABLE SPEED POWER
WIR01917	*	1	WIRE; REPLACEMENT VARIABLE SPEED MOTOR WIRE HARNESS, WITH 16 PIN CONNECTORS
WIR02390	*	1	WIRE; REPL WIRING HARNESS ASM. INCLUDES 12 PIN MALE, 5 PIN MALE, 3 PIN MALE, 2 PIN FEMALE.
CBT01402	1	1	CABINET; REPLACEMENT WRAPPER ASSEMBLY
EXC01426	2	1	EXCHANGER; HEAT
DOR02668	3	1	DOOR; REPL. BLOWER DOOR, INCLUDES GLS00164
PNE02458	4	1	PANEL; BLOWER DECK
COV03067	5	1	COVER; REPLACEMENT TOP COVER ASSEMBLY
COV03165	6	1	COVER; PANEL, TOP ONLY
SPG00309	7	2	SPRING; DOOR RETAINER,INCLUDED IN COVER ASSEMBLY
RIV00071	8	6	RIVET; POP, QTY 100 PER BOX COMPLETE COVER ASSEMBLY WILL INCLUDE THIS
CNL00955	9	1	CHANNEL; BOTTOM
RTR00133	11	1	RETAINER, FILTER
PNN03250	12	1	PANEL; BOTTOM
DOR02644	13	1	DOOR; BURNER ONLY
DOR02782	14	1	DOOR; BLOWER DOOR ONLY
PLT03655	15	1	PLATE; TRANE NAMEPLATE ASSEMBLY XV80
PLT03656	15	1	PLATE; NAMEPLATE ASSEMBLY - AMERICAN STANDARD
BAF00856	16	2	BAFFLE;
FLR01486	17	1	FILTER; PERMANENT, 25 X 16.5 X 1IN.
IRT00020	18	3	INSERT; BURNER
BOX00515	19	1	BOX; JUNCTION
COV02703	20	1	COVER; JUNCTION BOX
BUS00300	21	1	BUSHING; STRAIN RELIEF
CNT06015	23	1	CONTROL; INTEGRATED FURNACE CONTROL, 2 STAGE
TRR00783	24	1	TRANSFORMER; 35VA, 115V PRIMARY, 24V SECONDARY, CLASS 2, 60 HZ
TRR01816	24	1	TRANSFORMER;
GRM00836	25	1	GROMMET; WIRE, 2.55 LENGTH X 1.69 WIDTH X .32 THICK
SWT01714	26	1	SWITCH; DOOR SPST, 21 AMP, 125/250VAC
BRK01989	27	1	BRACKET; DOOR SWITCH
SWT01271	28	1	SWITCH; THERMAL LIMIT, OPEN AT 180, CLOSE AT 150 DEG. F
GKT03080	29	1	GASKET; LIMIT SWITCH
SHD00194	30	1	SHIELD;LIMIT
HSE00306	38	2	HOSE;PRESSURE SWITCH

Part No.	Reference No.	Quantity	Description
SWT02357	40	1	SWITCH; DUAL PRESSURE, 1 POLE, NORMALLY OPEN, 1/10 HP, 3 FLA, 18 LRA, 24 VAC, HIGH SIDE OPEN AT -0.45 TO -0.55 WC, CLOSE AT -0.65 WC, LOW SIDE OPEN AT -0.12 TO -0.22 WC, CLOSE AT -0.31 WC (IS2)
HSE00334	41	1	HOSE; PRESSURE SWITCH
TEE00195	42	1	TEE; UNION

Induced Blower and Flue Assembly

75000675

REV  
A



This is a typical illustration. The unit in the field may not appear exactly as shown.

Parts List Number :FUR198#FURUP198

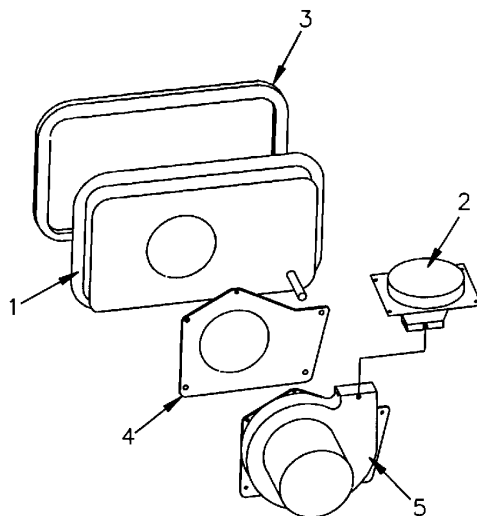
Model Number :TUD2B060A9V3VBA

Part No.	Reference No.	Quantity	Description
75000675_FURUP198_176790~P	*		INDUCED BLOWER & FLUE ASSEMBLY PARTS LIST

Induced Blower and Flue Assembly

75000675

REV  
A

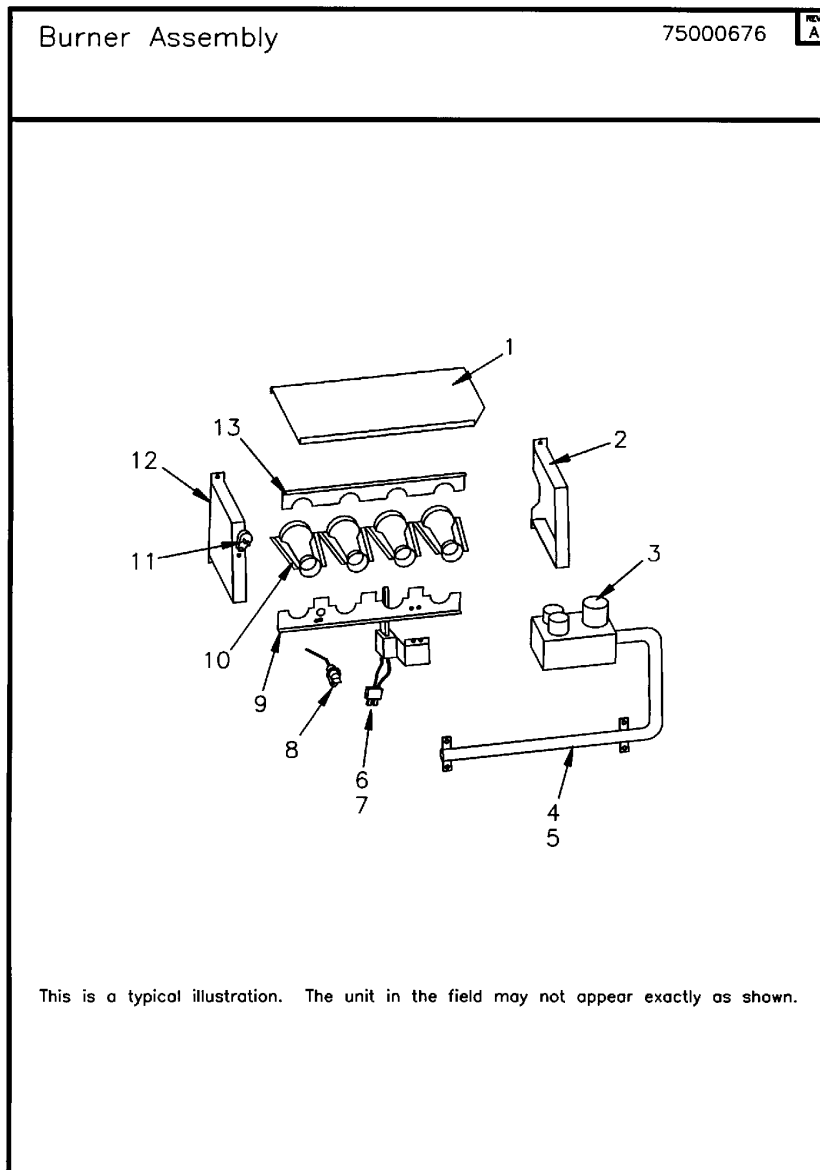


This is a typical illustration. The unit in the field may not appear exactly as shown.

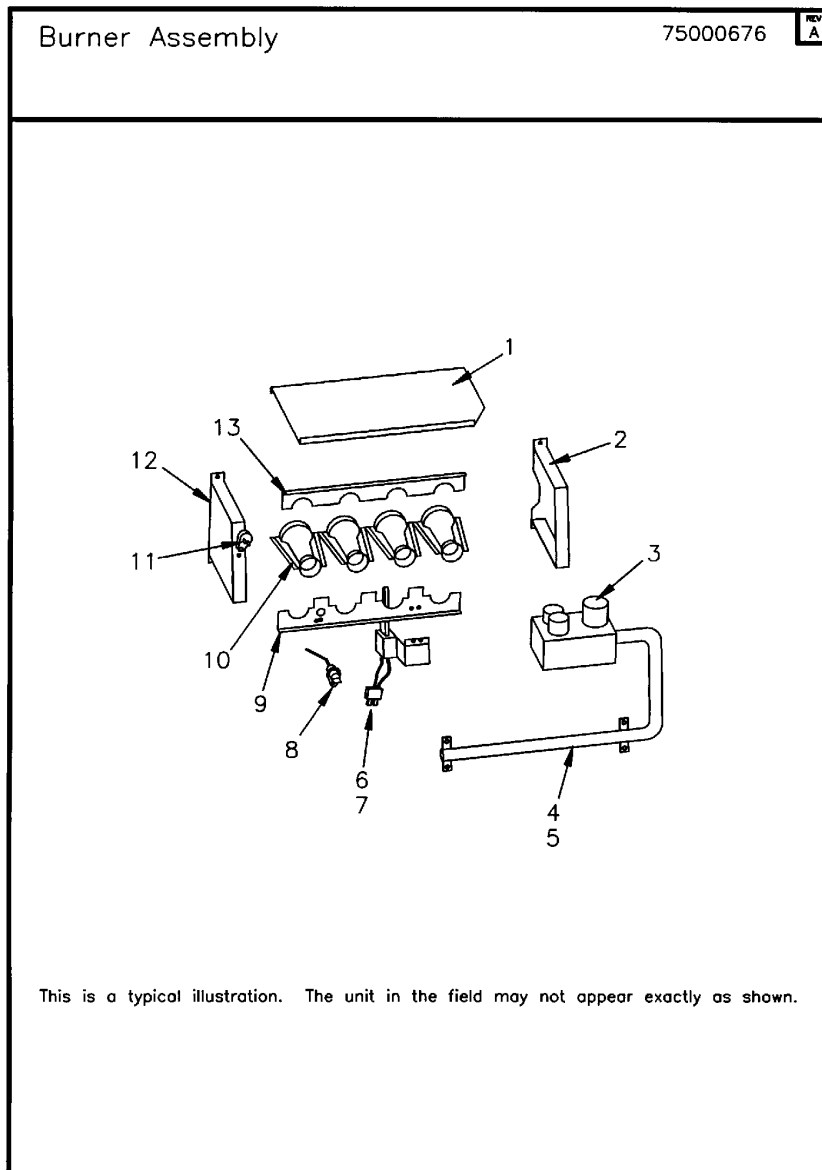
Parts List Number :FUR198#FURUP198

Model Number :TUD2B060A9V3VBA

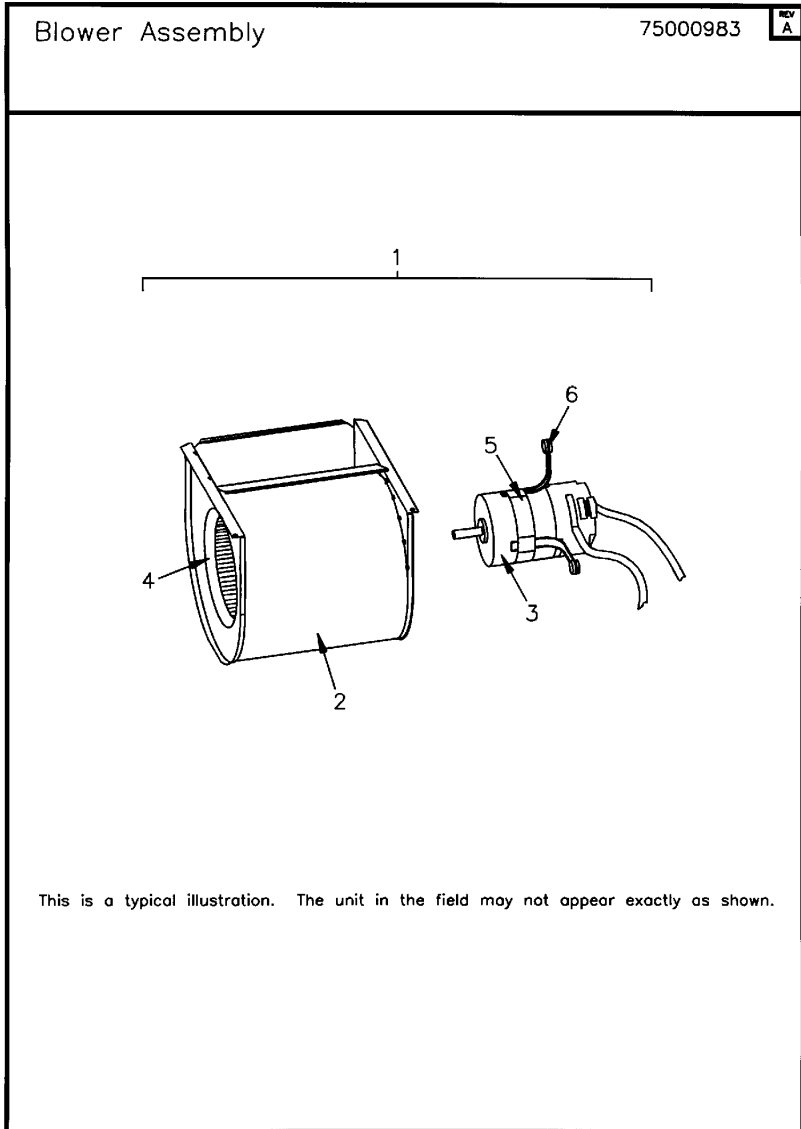
<b>Part No.</b>	<b>Reference No.</b>	<b>Quantity</b>	<b>Description</b>
GKT01700	*	1	MIN=6/6 GASKET; ADAPTER 0.25 X 0.75 X 3.22
PLT01715	*	1	PLATE; ADAPTER
PLT02168	*	1	PLATE; ADAPTER
FLU00141	1	1	FLUE; COLLECTOR ASM.
ADP00295	2	1	ADAPTER;FLUE TRANSITION ASSEMBLY
GKT02604	3	1	GASKET;COLLECTOR BOX
GKT03081	4	1	GASKET; VENTER ASSEMBLY
BLW00836	5	1	BLOWER; INDUCED 1 AND 2 STAGE, 2620 RPM, .75 AMPS



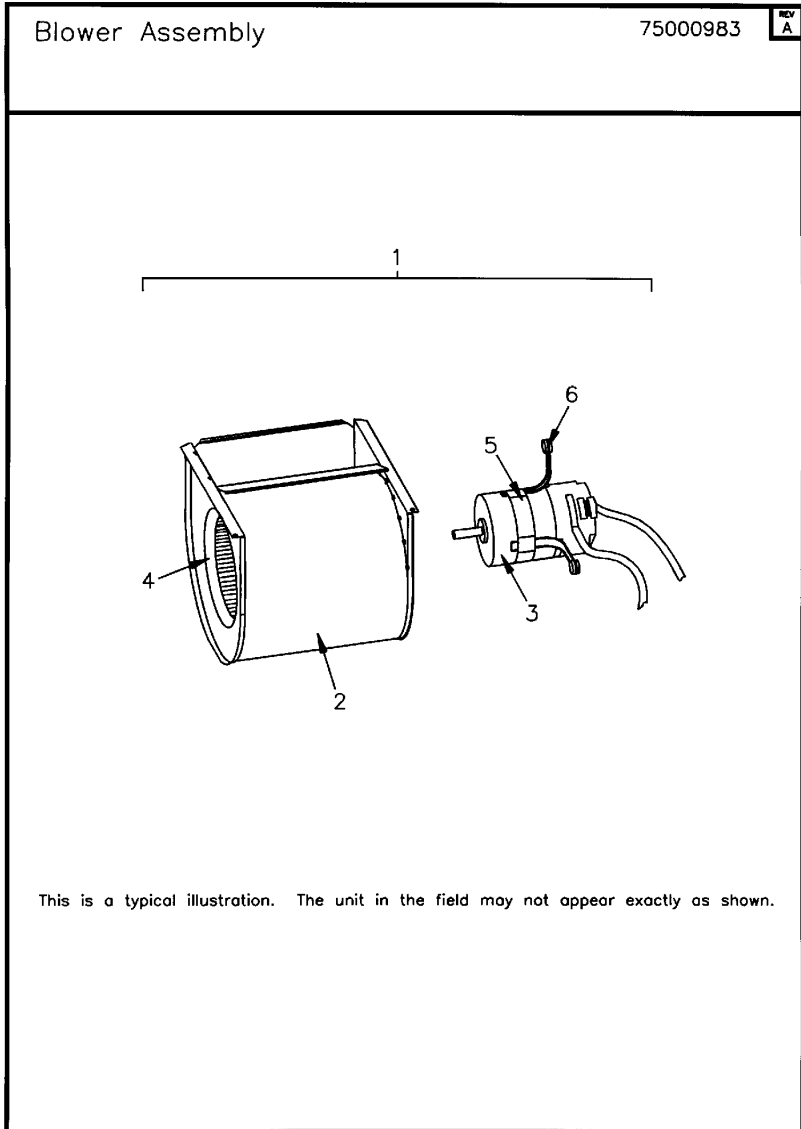
Part No.	Reference No.	Quantity	Description
75000676_FURUP198_176791~P	*		BURNER ASSEMBLY PARTS LIST



Part No.	Reference No.	Quantity	Description
BRK03269	*	1	BRACKET; SiNi IGNITOR
COV01781	1	1	COVER; BURNER
SUP02127	2	1	SUPPORT; BURNER-RIGHT HAND
VAL09030	3	1	VALVE; GAS, NON DIRECT VENT 2 STAGE, 1/2-14 NPT, 24V, 50/60 HZ, "J" SERIES
MFD00525	4	1	MANIFOLD; ASSEMBLY FOR 3 BURNER
ORF00644	5	3	ORIFICE;SPUD, #45 DRILL
IGN00146	6	1	IGNITER; (10 EACH/CARTON) SILICON-NITRIDE, 120V, INCLUDES BRACKET AND SCREWS.
SUP03418	7	1	SUPPORT; IGNITOR
SEN00491	8	1	SENSOR; FLAME
BRK01527	9	1	BRACKET; BURNER
BNR00694	10	3	BURNER; ALUMINUM/STEEL, .50 ID INSERT
SWT02173	11	1	SWITCH; SWITCH-FLAME ROLLOUT
SUP02126	12	1	SUPPORT; BURNER-LEFT HAND
BRK01960	13	1	BRACKET; TOP



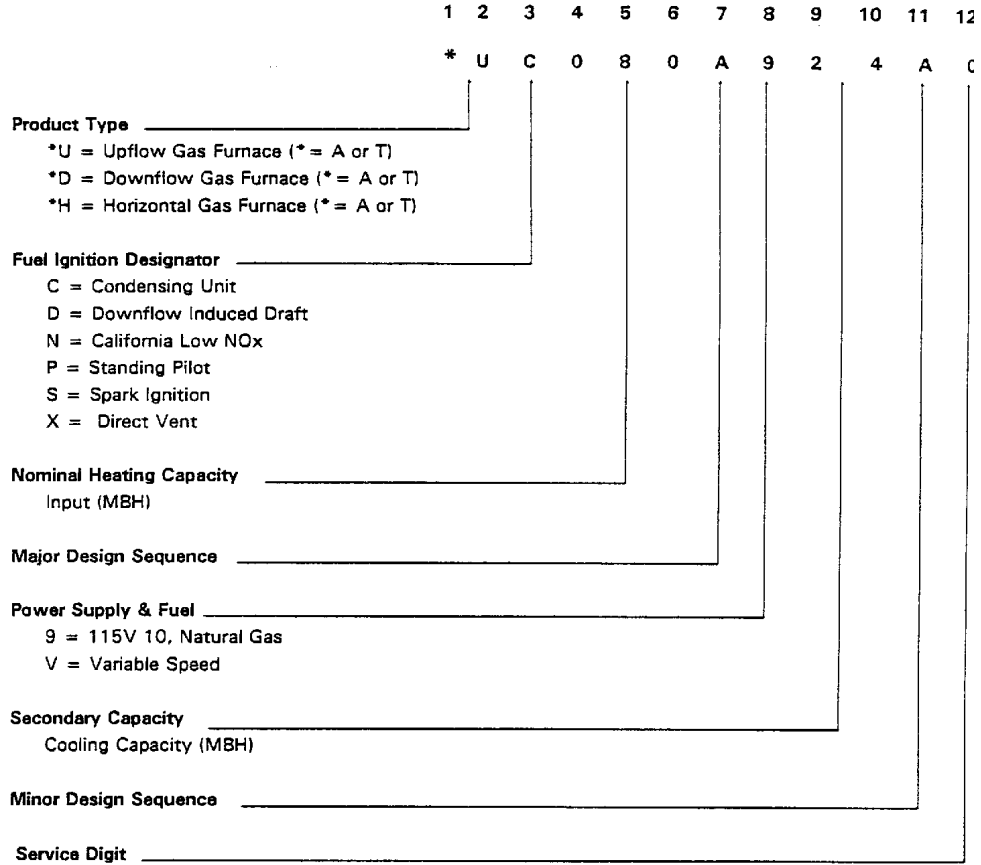
Part No.	Reference No.	Quantity	Description
75000983_FURUP198_176794-P	*		BLOWER ASSEMBLY PARTS LIST



Part No.	Reference No.	Quantity	Description
BAF00660	*	1	BAFFLE;BLOWER
SWT01777	*	1	SWITCH; REVERSE FLOW OPEN AT 130F, CLOSE AT 115F 1/2 IN.
BLW00727	1	1	BLOWER; REPLACEMENT ASSEMBLY
HUS01622	2	1	HOUSING;BLOWER
MOD00853	3	1	MODULE; ELECTRONIC MOTOR CONTROL, VARIABLE SPEED PROGRAMMED
MOT09266	3	1	MOTOR; ECM VS MOTOR MODULE SET; 1/2 HP; 115/230 VOLTAGE; PROGRAMMED
WHL00536	4	1	WHEEL; BLOWER,10IN.DIA X 7IN. WIDTH, .50IN. BORE,CW CONVEX
BND00026	5	1	BAND; MOTOR MOUNT
BRK00940	6	4	BRACKET;ARM, MOTOR, COMES WITH GROMMETS. 3.81 X 3.00.
BRK00946	6	4	BRACKET; ARM, MOTOR

**furnace**

**nomenclature**

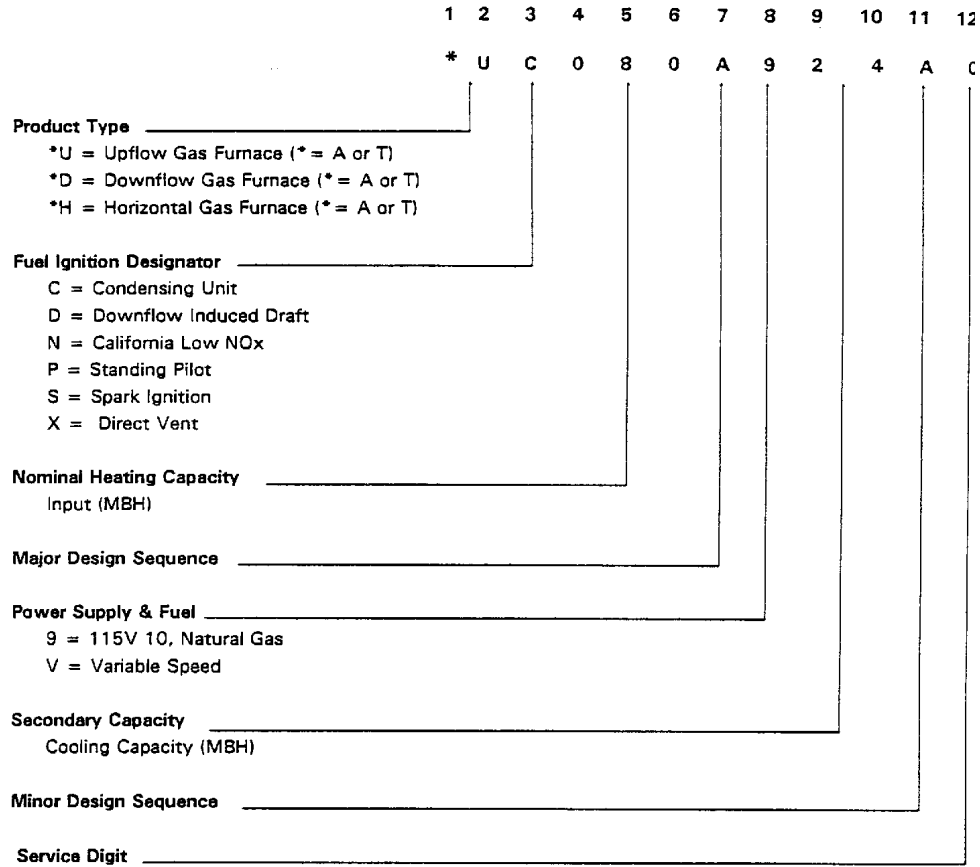


LEGEND	
AR	= As Required
N/A	= Not Available thru the Company, obtain locally.
N/S	= Not a serviceable part.
#	= Standardized part
9999	= Not illustrated

Part No.	Reference No.	Quantity	Description
75000518_FURUP198_117493~P	*		MODEL NUMBER NOMENCLATURE PARTS LIST

**furnace**

**nomenclature**



LEGEND	
AR	= As Required
N/A	= Not Available thru the Company, obtain locally.
N/S	= Not a serviceable part.
#	= Standardized part
9999	= Not illustrated

Parts List Number :FUR198#FURUP198

Model Number :TUD2B060A9V3VBA