

<b>Part No.</b>	<b>Reference No.</b>	<b>Quantity</b>	<b>Description</b>
75001120#FURUP152~S	*		BLOWER ASSEMBLY
75000676#FURUP152~S	*		BURNER ASSEMBLY
FUR152_FURUP152_223593~P	*		FURUP152 PARTS LIST
75002435#FURUP152~S	*		GENERAL ASSEMBLY
75007576#FURUP152~S	*		INDUCED BLOWER & FLUE ASSEMBLY
75008227#FURUP152~S	*		MODEL NUMBER NOMENCLATURE

NO GRAPHIC AVAILABLE

75013702

REV  
A

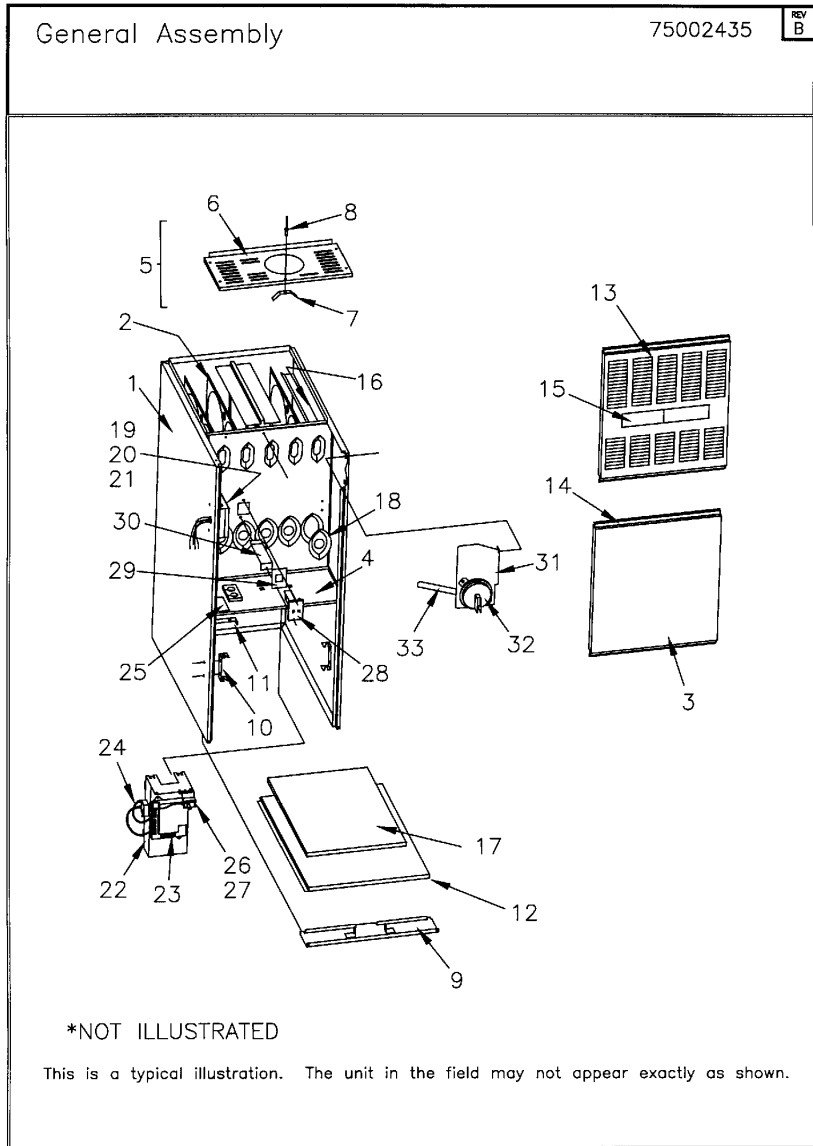
**NO  
GRAPHIC  
AVAILABLE**



Parts List Number :FUR152#FURUP152

Model Number :TUD1C120A9541AA

Part No.	Reference No.	Quantity	Description
75002435_FURUP152_335253~P	*		GENERAL ASSEMBLY PARTS LIST



Part No.	Reference No.	Quantity	Description
BAF00500	*	2	BAFFLE; HEAT EXCHANGER,5IN.WIDE X 18.75IN. LG
CLP00882	*	2	CLIP; LATCH
GLS00164	*	1	PLUG; 0.75 MTG HOLE SNAP-IN
GRM00855	*	1	GROMMET; 1.75 WIDE X .18 THICK, MOLDED CHLOROPRENE, 80 DUROMETER
LAT00833	*	2	LATCH; 1/4 TURN LATCH, BLACK KNOB, NICKEL BARREL. INCLUDES LATCH CLIP CLP00882.
PLT03666	*	1	PLATE; DOOR MOUNTING, UPFLOW, 21.00 CABINET SIZE
SCR00968	*	12	SCREW; 10-16 HEX WASHER, TYPE B, THREAD FORMING SCREW, 0.31 THREAD LENGTH, STEEL W/ZINC FINISH
TUB08301	*	1	TUBE; PRESSURE SWITCH, STAINLESS STEEL, .025 O.D. .035 WALL THK.
WIR02359	*	1	WIRE;12 PIN WIRE HARNESS ASSEMBLY
WIR02705	*	1	WIRE; REPLACEMENT IGNITOR AND INDUCER WIRE HARNESS (4 PIN 1 STAGE HARNESS)
CBT01420	1	1	CABINET; REPLACEMENT WRAPPER ASSEMBLY
EXC01000	2	1	EXCHANGER;HEAT
DOR02813	3	1	DOOR; BLOWER DOOR
COV03068	5	1	COVER; REPLACEMENT TOP COVER ASSEMBLY
COV03166	6	1	COVER; PANEL, TOP ONLY
SPG00309	7	1	SPRING; DOOR RETAINER,INCLUDED IN COVER ASSEMBLY
RIV00071	8	4	RIVET; POP, QTY 100 PER BOX COMPLETE COVER ASSEMBLY WILL INCLUDE THIS
CNL00956	9	1	CHANNEL; BOTTOM
PNN03251	12	1	PANEL;BOTTOM
DOR02645	13	1	DOOR; BURNER ONLY
DOR02637	14	1	DOOR; REPLACEMENT BLOWER DOOR ASM
PLT03565	15	1	PLATE; NAMEPLATE ASSEMBLY - TRANE
BAF00855	16	2	BAFFLE; HEAT EXCHANGER
IRT00020	18	6	INSERT; BURNER
BOX01499	19	1	BOX; JUNCTION BOX
COV03320	20	1	COVER; JUNCTION BOX COVER
BUS00300	21	1	BUSHING; STRAIN RELIEF
MNT02206	22	1	MOUNT; IFC CONTROL PLATFORM
CNT03076	23	1	CONTROL; INTEGRATED FURNACE, 1 STAGE, SINI
TRR01816	24	1	TRANSFORMER;
SWT01714	26	1	SWITCH; DOOR SPST, 21 AMP, 125/250VAC
BRK01989	27	1	BRACKET; DOOR SWITCH
SWT01259	28	1	SWITCH;THERMAL LIMIT, OPEN @ 190, CLOSE @ 160 DEG. F
SWT02293	32	1	SWITCH; PRESSURE, 1 POLE, N.O., 1/10 HP, 3 FLA, 18 LRA, 120 VAC, OPEN AT -0.45 TO -0.55 WC, CLOSE AT -0.65 (IS2)
HSE00334	33	1	HOSE; PRESSURE SWITCH

Induced Blower and Flue Assembly

75007576

REV  
A



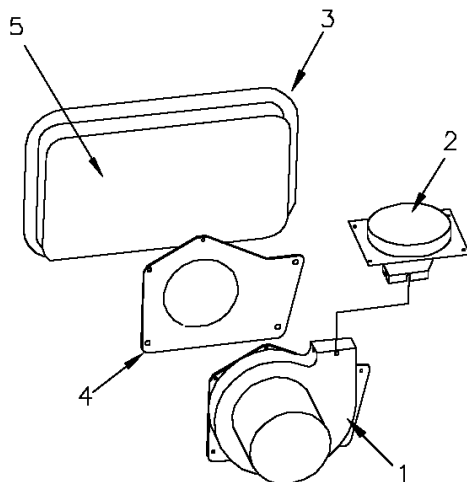
This is a typical illustration. The unit in the field may not appear exactly as shown.

Part No.	Reference No.	Quantity	Description
75007576_FURUP152_335254~P	*		INDUCED BLOWER & FLUE ASSEMBLY PARTS LIST

Induced Blower and Flue Assembly

75007576

REV  
A



This is a typical illustration. The unit in the field may not appear exactly as shown.

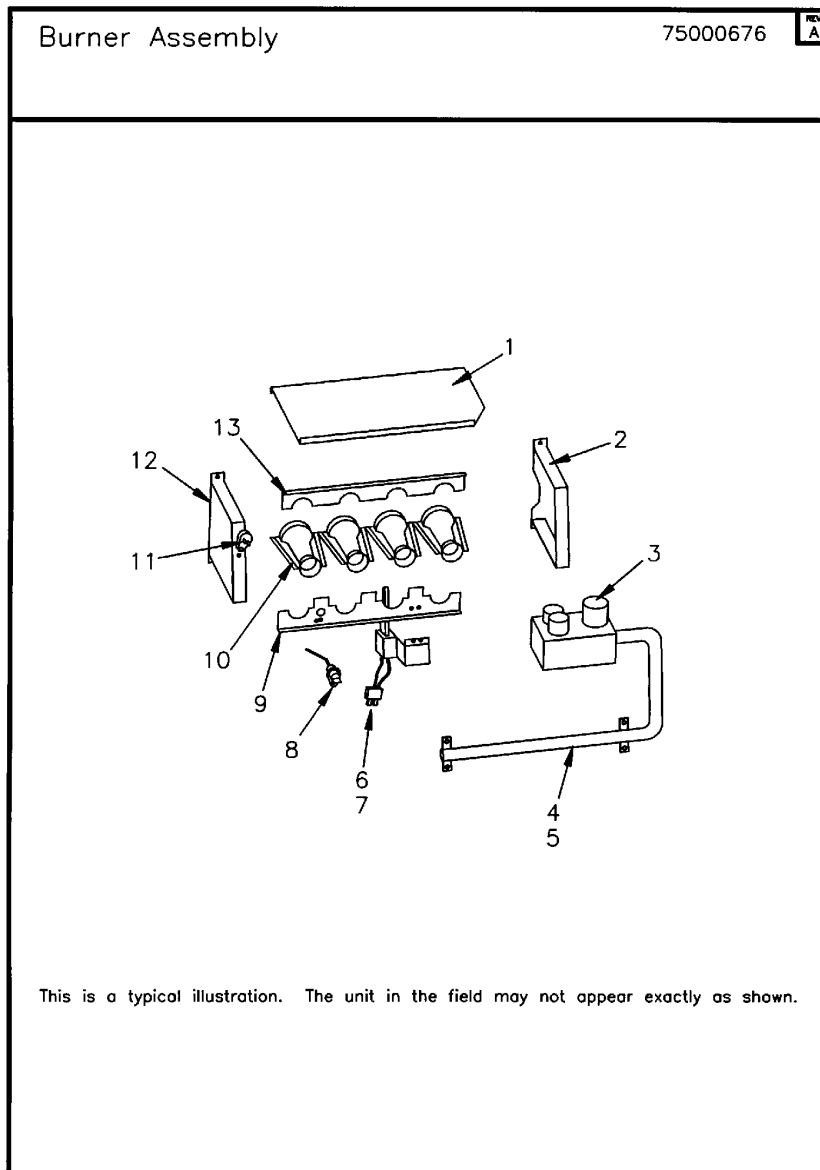
Parts List Number :FUR152#FURUP152

Model Number :TUD1C120A9541AA

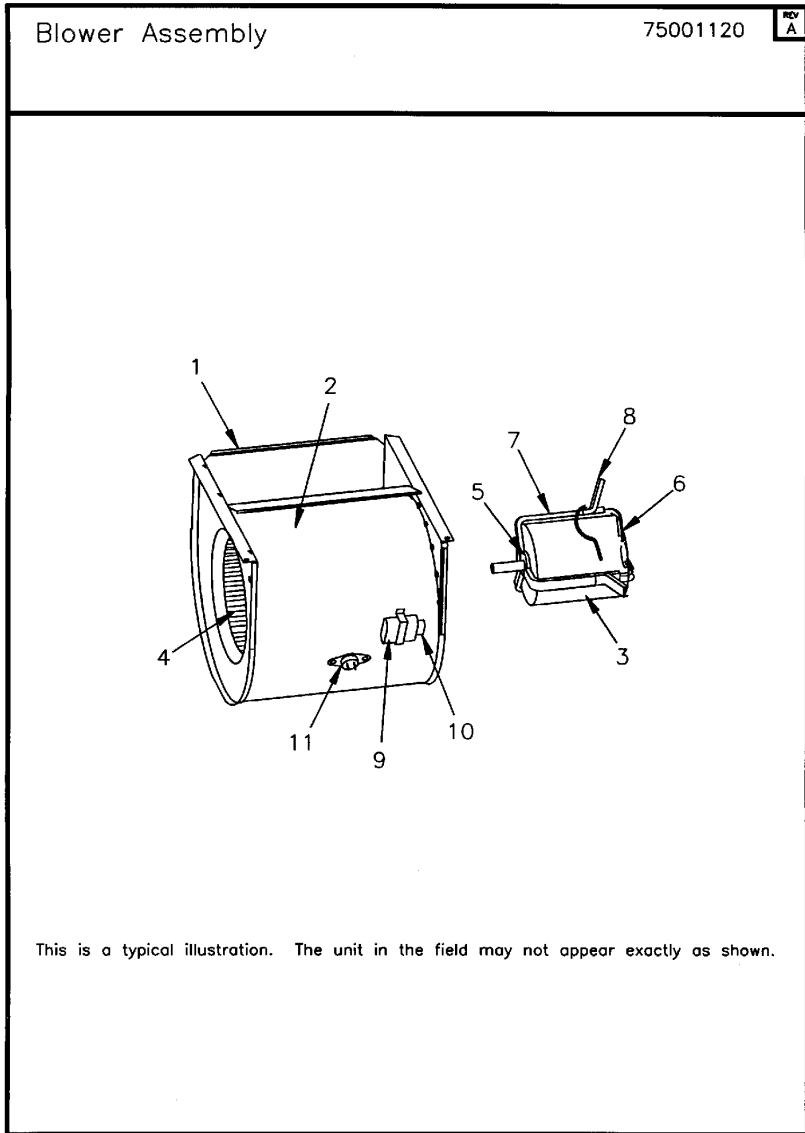
<b>Part No.</b>	<b>Reference No.</b>	<b>Quantity</b>	<b>Description</b>
BLW00888	1	1	BLOWER; INDUCED, 1 STAGE
ADP00338	2	1	ADAPTER; FLUE, TRANSITION ASSEMBLY
GKT02605	3	1	GASKET;COLLECTOR BOX
GKT03081	4	1	GASKET; VENTER ASSEMBLY
FLU00142	5	1	FLUE; COLLECTOR ASM.



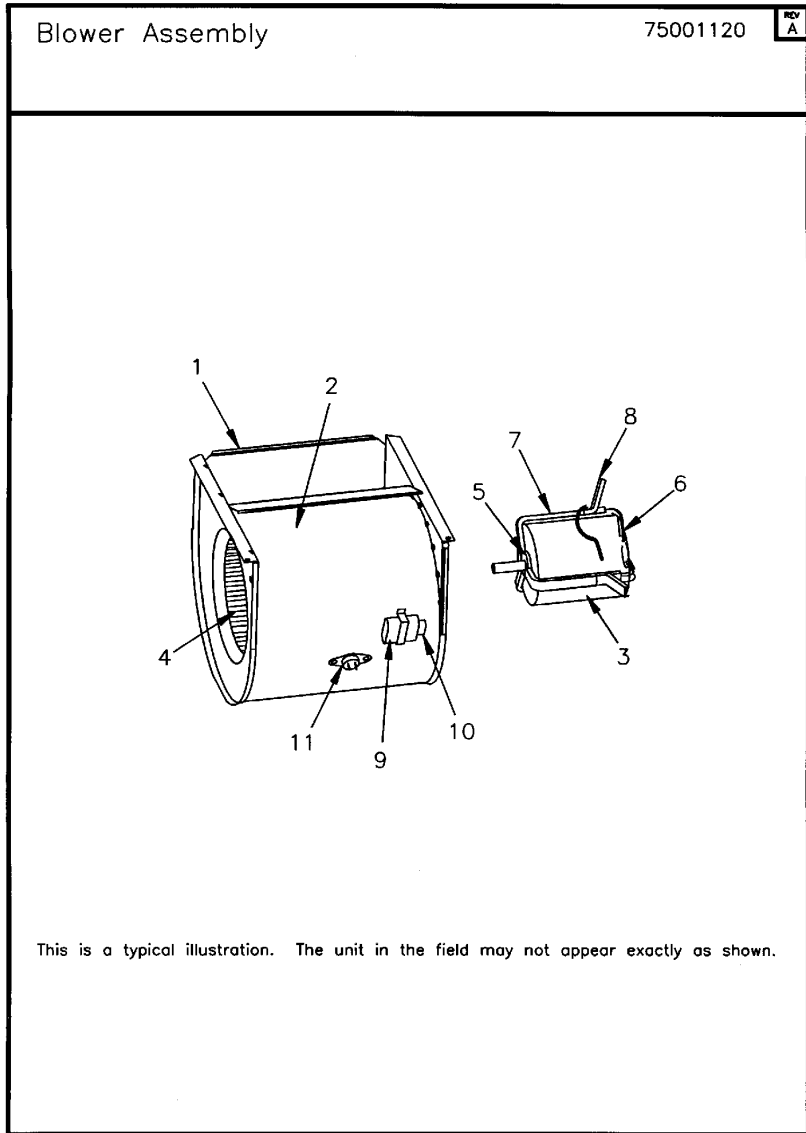
Part No.	Reference No.	Quantity	Description
75000676_FURUP152_313586~P	*		BURNER ASSEMBLY PARTS LIST



Part No.	Reference No.	Quantity	Description
COV03464	1	1	COVER; BURNER, 18.10 LG
SUP02127	2	1	SUPPORT; BURNER-RIGHT HAND
VAL07732	3	1	VALVE; GAS VALVE, SLOW OPEN
ORF00644	4	6	ORIFICE;SPUD, #45 DRILL
MFD00528	5	1	MANIFOLD; PIPE ASSEMBLY, 6 BURNER
IGN00117	6	1	IGNITOR; INCLUDES SiNi (A341947P01), BRACKET (A341948P02) AND INSTALLER'S GUIDE (X341955P01).
BRK03336	7	1	BRACKET; SiNi IGNITOR BRACKET
SEN01114	8	1	SENSOR; FLAME, NIKROTHAL 80 MATERIAL
BRK01530	9	1	BRACKET; BURNER
BNR01074	10	6	BURNER; ALUMINUM STL, .50 INSERT DIA, TOG-L-LOC
SWT02173	11	2	SWITCH; SWITCH-FLAME ROLLOUT
SUP02126	12	1	SUPPORT; BURNER-LEFT HAND
BRK01963	13	1	BRACKET; TOP



Part No.	Reference No.	Quantity	Description
75001120_FURUP152_335252~P	*		BLOWER ASSEMBLY PARTS LIST



Part No.	Reference No.	Quantity	Description
BLW00681	1	1	BLOWER; REPLACEMENT BLOWER ASSEMBLY
HUS03435	2	1	HOUSING; REPLACEMENT BLOWER HOUSING ASSEMBLY
MOT11992	3	1	MOTOR; 1/2 HP, 115/60/1, 1075 RPM, TYPE PSC, 48 FRM, CCW, SLEEVE BRG, 15 MFD @ 370V, INCLUDES RESILIENT RINGS
WHL02057	4	1	WHEEL; BLOWER, 11.7 X 10.6, .50 BORE, CW ROTATION
BRK00690	6	1	BRACKET; ASSEMBLY, SHORT, 4.06 X 2.31, INCLUDES RING CUP
BRK00691	7	1	BRACKET; ASSEMBLY, LONG, 5.00 X 2.39, INCLUDES RING CUP
SUP03399	8	3	SUPPORT; HANGER
SRP00841	9	1	STRAP;
CPT00478	10	1	CAPACITOR; RUN, 15 MFD, 370VAC, OVAL, W/O RESISTOR
SWT01778	11	1	SWITCH; REVERSE FLOW, OPEN AT 140F,CLOSE AT 125, 1/2 IN.

MODEL NUMBER DESCRIPTION		75008227	REV A
FURNACES			
T U D 1 A 0 8 0 A 9 3 6 1 A A 1 2 3 4 5 6 7 8 9 10 11 12 13 14 15			
<p>Digit 1 Brand T = Trane A = American Standard C = STANDARD</p> <p>Digit 2 Configuration H = Horizontal U = Upflow or Upflow/Horizontal D = Downflow or Downflow/Horizontal M = Multiphase 4-Way</p> <p>Digit 3 Product Family B = 80% Induced Draft Standard "Tradenames" E = 80% Induced Draft Standard D = 80% Induced Draft Premium C = 90% Condensing 1 Pipe X = 90% Direct Vent 1 or 2 Pipe</p> <p>Digit 4 Heating Stages 1 = Single Stage 2 = Two Stage 3 = Three Stage V = Modulating</p> <p>Digit 5 Cabinet Width A = 14.5" Cabinet Width B = 17.5" Cabinet Width C = 21.0" Cabinet Width D = 24.5" Cabinet Width</p> <p>Digits 6,7,8 Capacity 080 = Heating Input MBTUH</p>	<p>Digit 9 Major Modification A = Major Design Change</p> <p>Digit 10 Voltage 9 = 115 Volts / Natural Gas F = 115 Volts / Natural Gas with Integrated Electronic Filter</p> <p>Digits 11 &amp; 12 Airflow-Blower Type 36 = 3 Ton Standard PSC Motor H3 = 3 Ton High Efficiency Motor V3 = 3 Ton Variable Speed Motor</p> <p>Digit 13 Draft Inducer Speed 1 = Single Speed 2 = Two speed V = Variable Speed</p> <p>Digit 14 Minor Modification A = Minor Design Change</p> <p>Digit 15 Service Digit A = Service Digit</p>		

Part No.	Reference No.	Quantity	Description
75008227_FURUP152_223601~P	*		MODEL NUMBER NOMENCLATURE PARTS LIST

MODEL NUMBER DESCRIPTION		75008227	REV A
FURNACES			
T	U	D	1 A 0
1	2	3	4 5 6
8	0	A	9
3	6	1	A A
7	8	9	10
11	12	13	14
15			
<p>Digit 1 Brand T = Trane A = American Standard C = STANDARD</p> <p>Digit 2 Configuration H = Horizontal U = Upflow or Upflow/Horizontal D = Downflow or Downflow/Horizontal M = Multiphase 4-Way</p> <p>Digit 3 Product Family B = 80% Induced Draft Standard "Tradenames" E = 80% Induced Draft Standard D = 80% Induced Draft Premium C = 90% Condensing 1 Pipe X = 90% Direct Vent 1 or 2 Pipe</p> <p>Digit 4 Heating Stages 1 = Single Stage 2 = Two Stage 3 = Three Stage V = Modulating</p> <p>Digit 5 Cabinet Width A = 14.5" Cabinet Width B = 17.5" Cabinet Width C = 21.0" Cabinet Width D = 24.5" Cabinet Width</p> <p>Digits 6,7,8 Capacity 080 = Heating Input MBTUH</p>		<p>Digit 9 Major Modification A = Major Design Change</p> <p>Digit 10 Voltage 9 = 115 Volts / Natural Gas F = 115 Volts / Natural Gas with Integrated Electronic Filter</p> <p>Digits 11 &amp; 12 Airflow-Blower Type 36 = 3 Ton Standard PSC Motor H3 = 3 Ton High Efficiency Motor V3 = 3 Ton Variable Speed Motor</p> <p>Digit 13 Draft Inducer Speed 1 = Single Speed 2 = Two speed V = Variable Speed</p> <p>Digit 14 Minor Modification A = Minor Design Change</p> <p>Digit 15 Service Digit A = Service Digit</p>	

Parts List Number :FUR152#FURUP152

Model Number :TUD1C120A9541AA