

<b>Part No.</b>	<b>Reference No.</b>	<b>Quantity</b>	<b>Description</b>
75000513#FURUP159~S	*		BLOWER ASSEMBLY
75000955#FURUP159~S	*		BURNER ASSEMBLY
FUR159_FURUP159_167426~P	*		FURUP159 PARTS LIST
75004467#FURUP159~S	*		GENERAL ASSEMBLY
75000987#FURUP159~S	*		INDUCED BLOWER AND FLUE ASSEMBLY
75008227#FURUP159~S	*		MODEL NUMBER NOMENCLATURE

NO GRAPHIC AVAILABLE

75013702

REV  
A

**NO  
GRAPHIC  
AVAILABLE**



Parts List Number :FUR159#FURUP159

Model Number :TUC1B060A9361AB

Part No.	Reference No.	Quantity	Description
75004467_FURUP159_401523~P	*		GENERAL ASSEMBLY PARTS LIST



Part No.	Reference No.	Quantity	Description
BUS00402	*	1	BUSHING; SNAP
BUS01429	*	1	BUSHING; SNAP, .83 O.D. X .63 I.D. X .25, BLACK, NYLON, .75 MOUNTING HOLE DIA.
CLP00195	*	2	CLIP; SPRING
CLP00884	*	1	CLIP; ACCESS PANEL
CLP00887	*	1	CLIP; FILTER RETAINER ASSEMBLY. INCLUDES: SPG00309 AND RTR00133
CON00336	*	1	CONNECTOR; (BARB TUBE)
CON00374	*	1	CONNECTOR; 12 PIN MALE
DOR00658	*	1	DOOR; FURNACE DOOR ONLY, WITH SIGHT GLASS HOLE, PAINT COLOR: POLYSLATE GRAY
DOR03127	*	1	DOOR; BURNER ONLY, WITH HANDLE CUTOUT, LOUVERED, COLOR: POLYSLATE GRAY, 19.96 X 16.63. FOR ASSEMBLY USE DOR03131
FUS01089	*	1	FUSE; 5 AMP, TAN, AUTOMOTIVE STYLE
GRM00217	*	1	GROMMET; BURNER BOX ENTRY SEAL
HDL00832	*	1	HANDLE; DOOR HANDLE
PLU00510	*	1	PLUG;
SHD00241	*	1	SHIELD; RADIATION
TUB08058	*	1	TUBE-FEMALE TRANSFER
TUB08156	*	1	TUBE;MALE TRANSFER
WIR04587	*	1	WIRE; HARNESS ASSEMBLY, INCLUDING INDUCER/IGNITOR HARNESS W/4PIN MALE CONNECTOR AND CONTROL HARNESS W/12 PIN MALE CONNECTOR.
CBT01505	1	1	CABINET; REPLACEMENT WRAPPER ASSEMBLY
EXC01972	2	1	EXCHANGER; HEAT EXCHANGER WITH RCT00851.
DOR00935	3	1	DOOR; REPLACEMENT FURNACE DOOR ASSEMBLY, POLYSLATE GRAY, INCLUDES: GLS00164 AND CLP00884. DOOR ONLY IS: DOR00658
COV02144	5	1	COVER;TOP PANEL ASSEMBLY COMPLETE WITH SPG0309 AND RIV0071
COV02496	6	1	COVER; TOP COVER ONLY. PAINTED. COMPLETE ASM. IS COV02144.
SPG00309	7	1	SPRING; DOOR RETAINER,INCLUDED IN COVER ASSEMBLY
RIV00071	8	1	RIVET; POP, QTY 100 PER BOX COMPLETE COVER ASSEMBLY WILL INCLUDE THIS
CNL00955	9	1	CHANNEL; BOTTOM
PNN03250	10	1	PANEL; BOTTOM
RTR00133	12	1	RETAINER, FILTER
DOR03131	13	1	DOOR; REPLACEMENT BURNER ASSEMBLY W/HANDLE. FOR DOOR ONLY USE DOR03127.
GLS00164	14	1	PLUG; 0.75 MTG HOLE SNAP-IN
PLT04235	15	1	PLATE; TRANE XB APPEARANCE NAMEPLATE, 6.00 X 1.46
BAF00856	16	1	BAFFLE;
IRT00020	18	3	INSERT; BURNER
BOX01499	19	1	BOX; JUNCTION BOX
COV03320	20	1	COVER; JUNCTION BOX COVER
BUS00300	21	1	BUSHING; STRAIN RELIEF
MNT02206	22	1	MOUNT; IFC CONTROL PLATFORM
CNT02891	23	1	CONTROL; IFC
TRR01816	24	1	TRANSFORMER;
GRM00855	25	1	GROMMET; 1.75 WIDE X .18 THICK, MOLDED CHLOROPRENE, 80 DUROMETER
BRK01989	26	1	BRACKET; DOOR SWITCH
SWT01714	27	1	SWITCH; DOOR SPST, 21 AMP, 125/250VAC
SWT01612	28	1	SWITCH; THERMAL LIMIT, OPEN AT 190, CLOSE AT 160 DEG F, 5.8 FLA @ 120V
GKT03506	29	1	GASKET; LIMIT SWITCH
TRP00007	30	1	TRAP; CANNISTER
TUB11751	31	1	TUBE; CONDENSATE TUBE ASSEMBLY, COLD HEADER TO CANISTER TRAP. INCLUDES HOSE AND CLAMP.

<b>Part No.</b>	<b>Reference No.</b>	<b>Quantity</b>	<b>Description</b>
TUB11758	32	1	TUBE; CONDENSATE TUBE ASSEMBLY, TRAP TO FURNACE CABINET (FIELD CONNECTION). INCLUDES HOSE, CLAMP, BARBED ADAPTER AND COUPLING
TUB11750	35	1	TUBE; CONDENSATE TUBE ASSEMBLY, INDUCER TO CANISTER TRAP. INCLUDES HOSE AND CLAMP.
COL09285	37	1	COIL; RECOUP ASSEMBLY
SUP02791	38	1	SUPPORT; HEAT EXCHANGER
BAF00856	39	1	BAFFLE;

Induced Blower & Flue Assembly

75000987

REV  
A

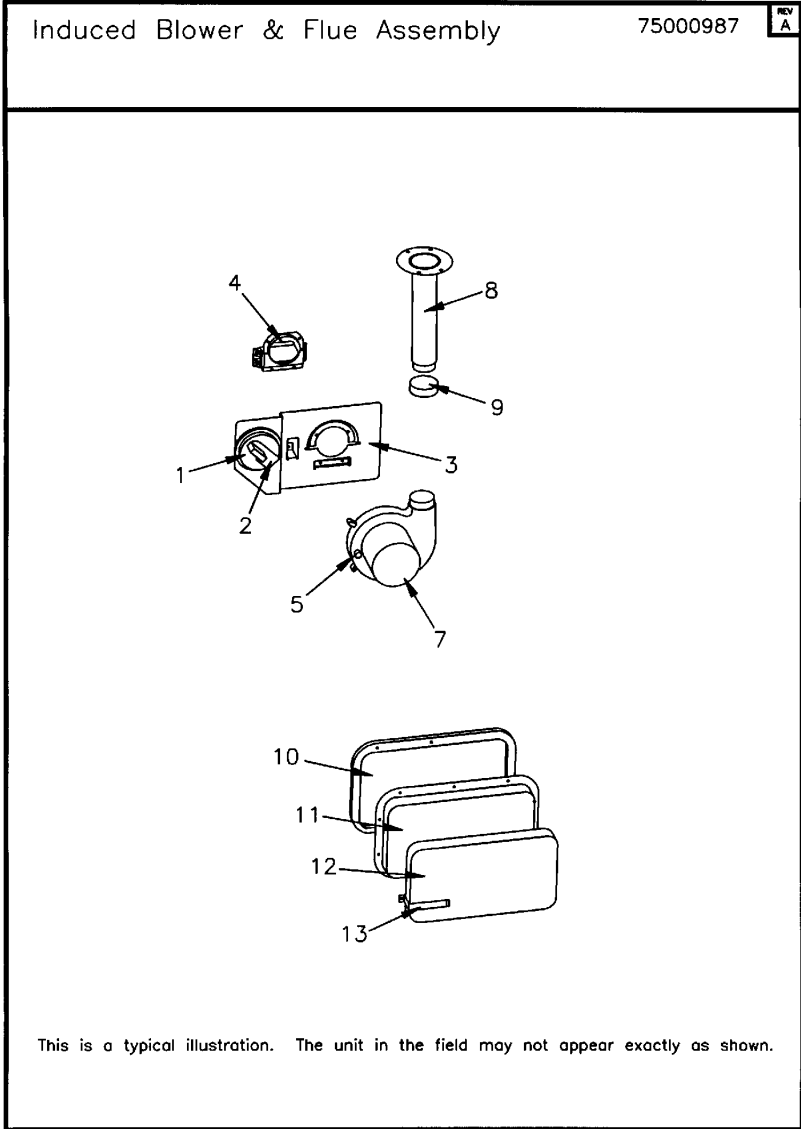


This is a typical illustration. The unit in the field may not appear exactly as shown.

Parts List Number :FUR159#FURUP159

Model Number :TUC1B060A9361AB

Part No.	Reference No.	Quantity	Description
75000987_FURUP159_167430~P	*		INDUCED BLOWER AND FLUE ASSEMBLY PARTS LIST



Parts List Number :FUR159#FURUP159

Model Number :TUC1B060A9361AB

Part No.	Reference No.	Quantity	Description
SWT02685	*	1	SWITCH; LIMIT INDUCER, OPEN 155 DEG, CLOSE 95 DEG F
SWT02966	1	1	SWITCH; PRESSURE, 28 VA PILOT DUTY 24 VAC, 125 VA PILOT DUTY 120 VAC. , 1/10 HP, 3 FLA, 18 LRA 24 VAC. OPEN AT -0.90 WC, CLOSE AT -1.09 WC
MNT02266	3	1	MOUNT; INDUCER MOTOR MOUNTING PLATE, GALVANIZED STEEL
RCT00851	4	1	RECEPTACLE; TRANSITION INCLUDING FOUR MOUNTING SCREWS
CAP00453	5	1	CAP; VINYL
BLW00862	7	1	BLOWER; INDUCER DRAFT, 1-STAGE
PIP00364	8	1	PIPE; FLUE, MOLDED
CMP00381	9	1	CLAMP; FLUE STACK PIPE TO INDUCED BLOWER
GKT02604	10	1	GASKET;COLLECTOR BOX
BOX00579	11	1	BOX; FLUE COLLECTOR
INS01972	12	1	INSULATION; COLLECTOR BOX



Part No.	Reference No.	Quantity	Description
75000955_FURUP159_167429~P	*		BURNER ASSEMBLY PARTS LIST



Part No.	Reference No.	Quantity	Description
COV03151	*	1	COVER; FRONT ASSEMBLY REPLACEMENT COVER W/SIGHT GLASS
BRK01960	1	1	BRACKET; TOP
BRK01527	2	1	BRACKET; BURNER
SUP02127	3	1	SUPPORT; BURNER-RIGHT HAND
SUP02126	4	1	SUPPORT; BURNER-LEFT HAND
BOX01403	5	1	BOX; DIRECT VENT
COV02560	6	1	COVER; TOP, DIRECT VENT
VAL07731	7	1	VALVE; GAS CONTROL WITH BARBED FITTING, FAST OPEN, 24V, 50/60 HZ, 1/2 NPT INLET AND OUTLET
PIP00343	8	1	PIPE; COMPOUND
BNR01074	9	3	BURNER; ALUMINUM STL, .50 INSERT DIA, TOG-L-LOC
ORF00644	10	3	ORIFICE;SPUD, #45 DRILL
MFD00735	11	1	MANIFOLD, GAS
IGN00054	12	1	IGNITOR; HOT SURFACE, 120V AT 3.5 AMP
SUP03418	13	1	SUPPORT; IGNITOR
COV03010	14	1	COVER; FRONT, D.V.
SEN01114	15	1	SENSOR; FLAME, NIKROTHAL 80 MATERIAL
SWT02124	16	1	SWITCH; SWITCH-FLAME ROLLOUT, 82 DEGREES C, 180 DEGREES F, NON-TRIP FREE, 5.8 FLA, 34.8 LRA AT 120 VAC, 24 VAC, MANUAL RESET, FIXED TEMPERATURE THERMOSTAT AND NON-ADJUSTABLE.
GLS00820	18	1	GLASS; SIGHT
PLT02218	19	1	PLATE; DEFLECTOR
GKT03082	21	1	GASKET; INLET, 4.0 X 4.0 NONWOVEN FIBERGLASS
ADP01052	22	1	ADAPTER; FLUE CONNECTOR WITH PERFORATED AIR DIFFUSER, 2 INCH DIAMETER, PLASTIC

Blower Assembly

75000513

REV  
A



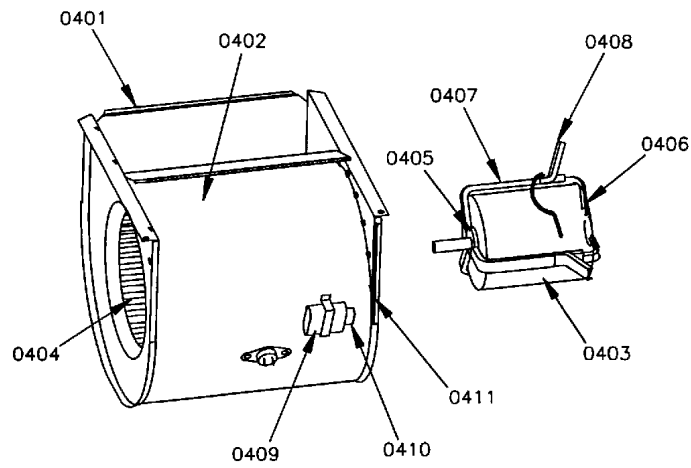
This is a typical illustration. The unit in the field may not appear exactly as shown.

Part No.	Reference No.	Quantity	Description
75000513_FURUP159_167427~P	*		BLOWER ASSEMBLY PARTS LIST

Blower Assembly

75000513

REV  
A



This is a typical illustration. The unit in the field may not appear exactly as shown.

<b>Part No.</b>	<b>Reference No.</b>	<b>Quantity</b>	<b>Description</b>
BLW00484	0401	1	BLOWER; COMPLETE ASM.
HUS01568	0402	1	HOUSING;BLOWER ASSEMBLY
MOT09053	0403	1	MOTOR; 1/3 HP, 115/60/1, 1075 RPM, PSC, CCW, 48 FRAME, SLEEVE BEARINGS, FLA 5.8, LRA 12.5, 5 MFD AT 370V
WHL02353	0404	1	WHEEL; BLOWER, 48 BLADES, CW, CONCAVE DISC, 10 X 7
RNG00957	0405	2	RING; RESILIENT, 2.5 OD
BRK00690	0406	1	BRACKET; ASSEMBLY, SHORT, 4.06 X 2.31, INCLUDES RING CUP
BRK00691	0407	1	BRACKET; ASSEMBLY, LONG, 5.00 X 2.39, INCLUDES RING CUP
SUP03399	0408	3	SUPPORT; HANGER
CPT00266	0409	1	CAPACITOR; RUN, 5 MFD, 370V, OVAL, W/O RESISTOR
SRP00841	0410	1	STRAP;

MODEL NUMBER DESCRIPTION		75008227	REV A
FURNACES			
T U D 1 A 0 8 0 A 9 3 6 1 A A 1 2 3 4 5 6 7 8 9 10 11 12 13 14 15			
<p><b>Digit 1</b> Brand T = Trane A = American Standard C = STANDARD</p> <p><b>Digit 2</b> Configuration H = Horizontal U = Upflow or Upflow/Horizontal D = Downflow or Downflow/Horizontal M = Multiphase 4-Way</p> <p><b>Digit 3</b> Product Family B = 80% Induced Draft Standard "Tradenames" E = 80% Induced Draft Standard D = 80% Induced Draft Premium C = 90% Condensing 1 Pipe X = 90% Direct Vent 1 or 2 Pipe</p> <p><b>Digit 4</b> Heating Stages 1 = Single Stage 2 = Two Stage 3 = Three Stage V = Modulating</p> <p><b>Digit 5</b> Cabinet Width A = 14.5" Cabinet Width B = 17.5" Cabinet Width C = 21.0" Cabinet Width D = 24.5" Cabinet Width</p> <p><b>Digits 6,7,8</b> Capacity 080 = Heating Input MBTUH</p>	<p><b>Digit 9</b> Major Modification A = Major Design Change</p> <p><b>Digit 10</b> Voltage 9 = 115 Volts / Natural Gas F = 115 Volts / Natural Gas with Integrated Electronic Filter</p> <p><b>Digits 11 &amp; 12</b> Airflow-Blower Type 36 = 3 Ton Standard PSC Motor H3 = 3 Ton High Efficiency Motor V3 = 3 Ton Variable Speed Motor</p> <p><b>Digit 13</b> Draft Inducer Speed 1 = Single Speed 2 = Two speed V = Variable Speed</p> <p><b>Digit 14</b> Minor Modification A = Minor Design Change</p> <p><b>Digit 15</b> Service Digit A = Service Digit</p>		

Part No.	Reference No.	Quantity	Description
75008227_FURUP159_167432~P	*		MODEL NUMBER NOMENCLATURE PARTS LIST

MODEL NUMBER DESCRIPTION		75008227	REV A
FURNACES			
T U D 1 A 0 8 0 A 9 3 6 1 A A 1 2 3 4 5 6 7 8 9 10 11 12 13 14 15			
<p><b>Digit 1</b> Brand T = Trane A = American Standard C = STANDARD</p> <p><b>Digit 2</b> Configuration H = Horizontal U = Upflow or Upflow/Horizontal D = Downflow or Downflow/Horizontal M = Multiphase 4-Way</p> <p><b>Digit 3</b> Product Family B = 80% Induced Draft Standard "Tradenames" E = 80% Induced Draft Standard D = 80% Induced Draft Premium C = 90% Condensing 1 Pipe X = 90% Direct Vent 1 or 2 Pipe</p> <p><b>Digit 4</b> Heating Stages 1 = Single Stage 2 = Two Stage 3 = Three Stage V = Modulating</p> <p><b>Digit 5</b> Cabinet Width A = 14.5" Cabinet Width B = 17.5" Cabinet Width C = 21.0" Cabinet Width D = 24.5" Cabinet Width</p> <p><b>Digits 6,7,8</b> Capacity 080 = Heating Input MBTUH</p>	<p><b>Digit 9</b> Major Modification A = Major Design Change</p> <p><b>Digit 10</b> Voltage 9 = 115 Volts / Natural Gas F = 115 Volts / Natural Gas with Integrated Electronic Filter</p> <p><b>Digits 11 &amp; 12</b> Airflow-Blower Type 36 = 3 Ton Standard PSC Motor H3 = 3 Ton High Efficiency Motor V3 = 3 Ton Variable Speed Motor</p> <p><b>Digit 13</b> Draft Inducer Speed 1 = Single Speed 2 = Two speed V = Variable Speed</p> <p><b>Digit 14</b> Minor Modification A = Minor Design Change</p> <p><b>Digit 15</b> Service Digit A = Service Digit</p>		

Parts List Number :FUR159#FURUP159

Model Number :TUC1B060A9361AB