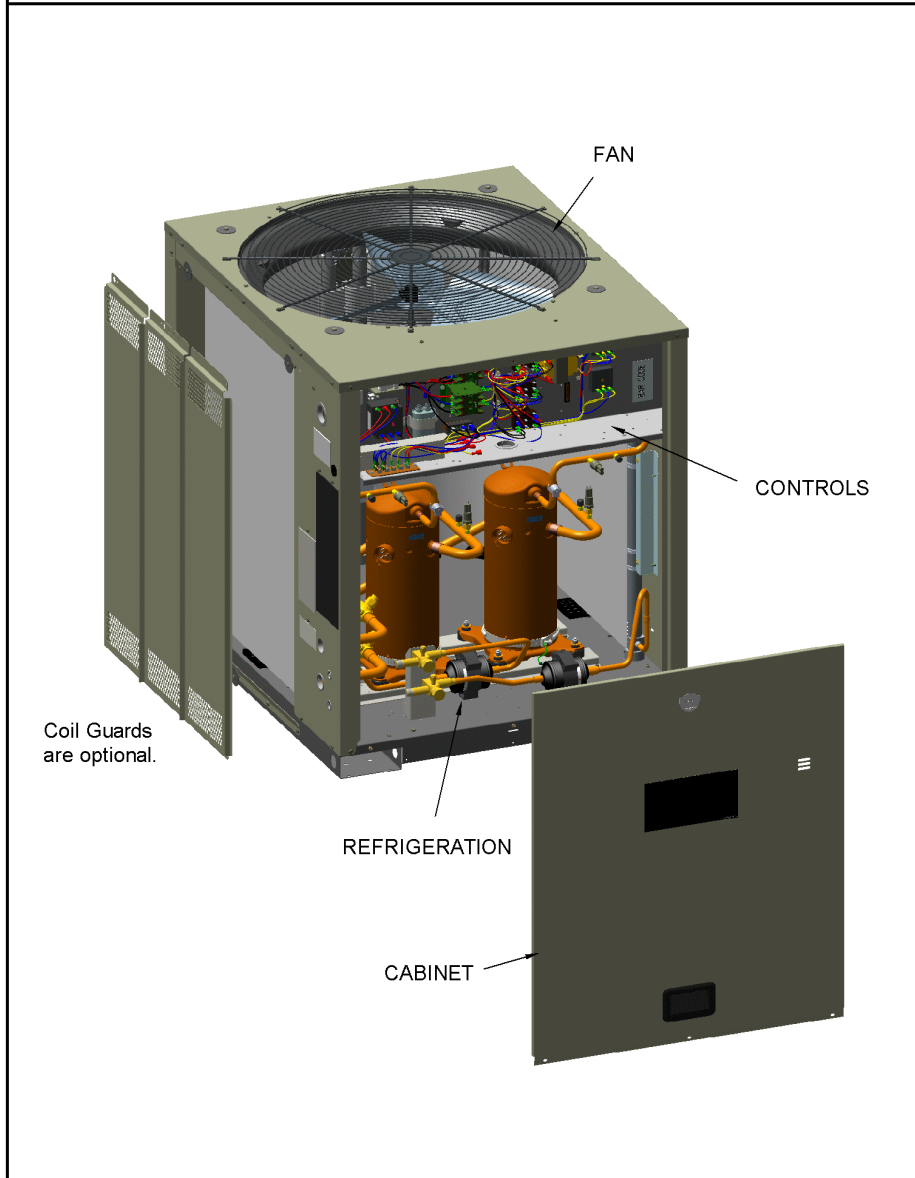


ODYSSEY SPLIT SYSTEM

75010897

REV
A

AIR CONDITIONER
TYPICAL ILLUSTRATION



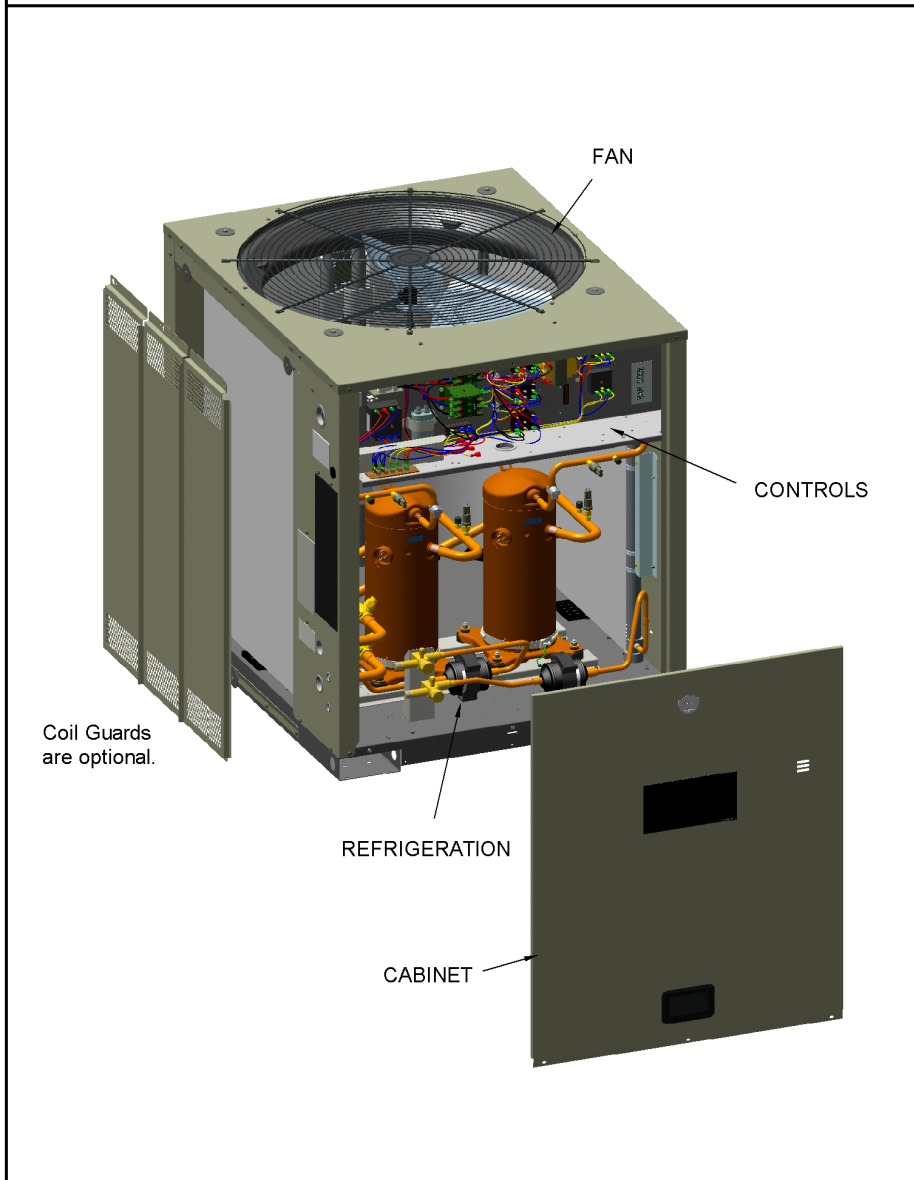
Part No.	Reference No.	Quantity	Description
75010902#TTAUP132~S	*		CABINET
75010899#TTAUP132~S	*		CONTROLS
75010558#TTAUP132~S	*		FAN
OPTIONSTTA#TTAUP132~S	*		FIELD INSTALLED ACCESSORIES
75010909#TTAUP132~S	*		MODEL NUMBER DESCRIPTION
75010897_TTAUP132_113632~P	*		ODYSSEY - SPLIT SYSTEM AIR CONDITIONER PARTS LIST
75010898#TTAUP132~S	*		REFRIGERATION

ODYSSEY SPLIT SYSTEM

75010897

REV.
A

AIR CONDITIONER
TYPICAL ILLUSTRATION

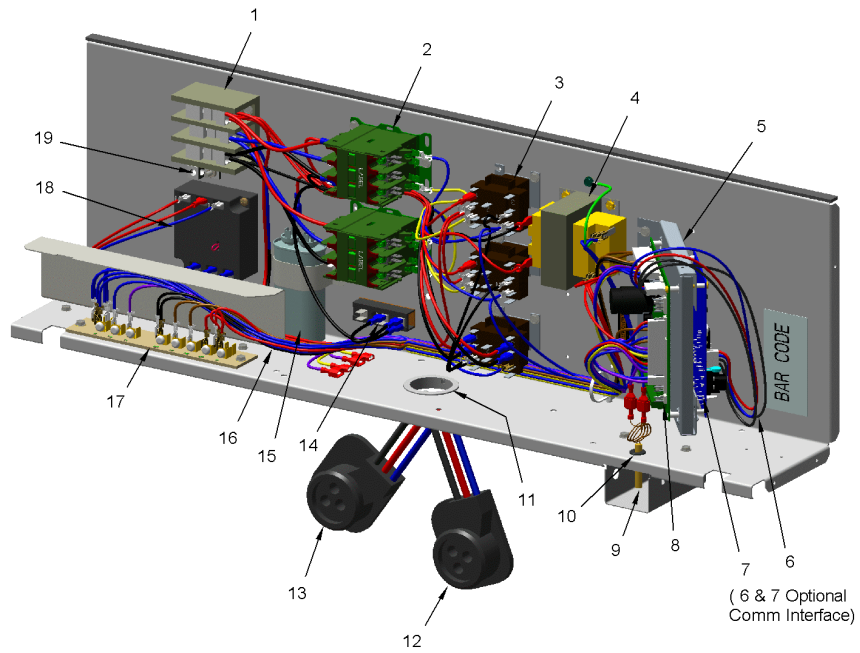


CONTROLS

75010899

REV.
A

TYPICAL ILLUSTRATION



CONTROLS

Parts List Number :75010897#TTAUP132

Model Number :TTA090H30RAA

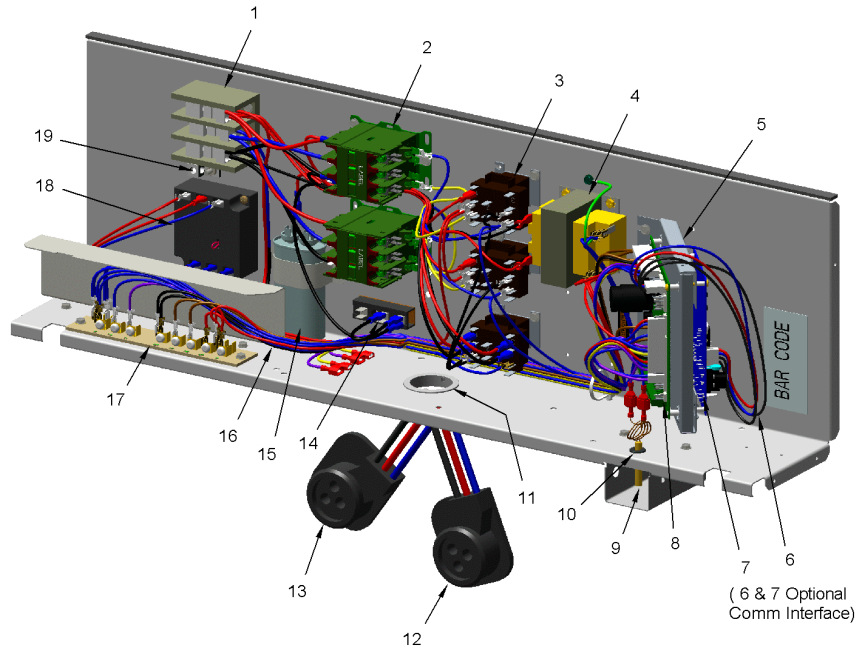
Part No.	Reference No.	Quantity	Description
75010899_TTAUP132_251287~P	*		CONTROLS PARTS LIST

CONTROLS

75010899

REV.
A

TYPICAL ILLUSTRATION



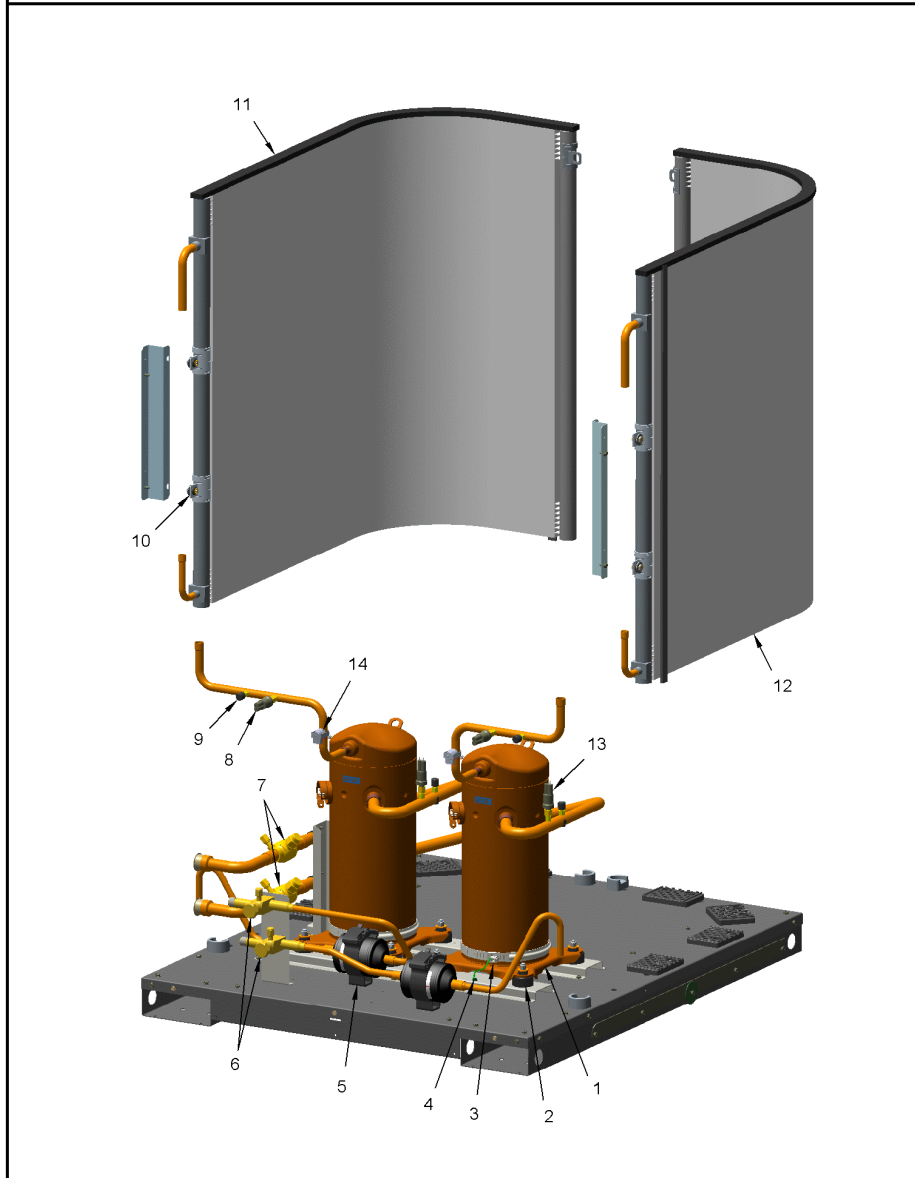
Part No.	Reference No.	Quantity	Description
SEL00418	*	1	SEAL; 2.80 FLUID OZ. TUBE
SCR00115	1	4	SCREW; HEX HEAD, 10-16 X .50
TER00160	1	1	TERMINAL; BLOCK, 3 POLE, 175A, 600V, PRESSURE LUGS
CTR01181	2	2	CONTACTOR; 25 AMP, 3 POLE, 24V COIL
SCR00115	2	6	SCREW; HEX HEAD, 10-16 X .50
RLY01388	3	3	RELAY; CONTROL, DPDT 24CV, 120/600 V CONTACTS, 50/60 HZ
SCR00115	3	6	SCREW; HEX HEAD, 10-16 X .50
TRR00825	4	1	TRANSFORMER; 75 VA, 208-230V PRI, 24V SEC
BRK03317	5	1	BRACKET; RTRM/COMM MODULE MOUNTING, 7 X 6.5
MOD02555	8	1	MODULE; RELIATEL REFRIG DUAL CIRCUIT COOL/HP
SEN01107	9	1	SENSOR; THERMISTOR, -40 TO 65C, 0.25 DIA X 1.75 LENGTH, 12 IN BROWN LEADS, LEADS TERMINATED
GRM00039	10	1	GROMMET; RUBBER .25 ID X .05 GRV MLD
BUS00373	11	1	BUSHING; SNAP, 2.00 INCH OD X 1.63 ID, MAX PANEL THICKNESS 0.125, BLACK NYLON
PLU01025	12	1	PLUG; COMPRESSOR, INCLUDES PLUG, RED, BLUE AND BLACK WIRES.
PLU01024	13	1	PLUG; COMPRESSOR, INCLUDES PLUG, RED, BLUE AND BLACK WIRES.
BRD00385	14	1	BOARD; TERMINAL, FAN, 24V, 3 POLE
INS00298	14	1	INSULATOR;
SCR01000	14	1	SCREW; 6-20 B PH 1/2 S
CPT00554	15	1	CAPACITOR; 10 MFD, 440 VOLT, OVAL
WIR07871	16	1	WIRE; HARNESS, RELIATEL CONTROLS. INCLUDES THESE HARNESSES: HIGH VOLTAGE, LOW VOLTAGE (W/ BRD02799 & THERMISTOR SENSOR) & CONTACTORS
BRD02799	17	1	BOARD; 8 TERMINALS, 7.75 X 1.50 (LTB)
SCR00115	17	2	SCREW; HEX HEAD, 10-16 X .50
CNT05176	18	1	CONTROL; MONITOR, 3-PHASE LINE, UNIVERSAL 180-632 VAC, PHASE AND LOSS REVERSAL
SCR01072	18	2	SCREW; 8-32 X 1.00
CON00077	19	1	CONNECTOR, ELECTRIC GROUND, 14-2 AWG SOLDERLESS
NUT00507	19	1	NUT; ASSEMBLY, WITH WASHER
SCR01058	19	1	SCREW; 10-32 MA BI 5/8 S
WAS00611	19	1	WASHER; LOCK, .19 ID X .39 OD

REFRIGERATION

75010898

REV.
A

TYPICAL ILLUSTRATION



REFRIGERATION

Parts List Number :75010897#TTAUP132

Model Number :TTA090H30RAA

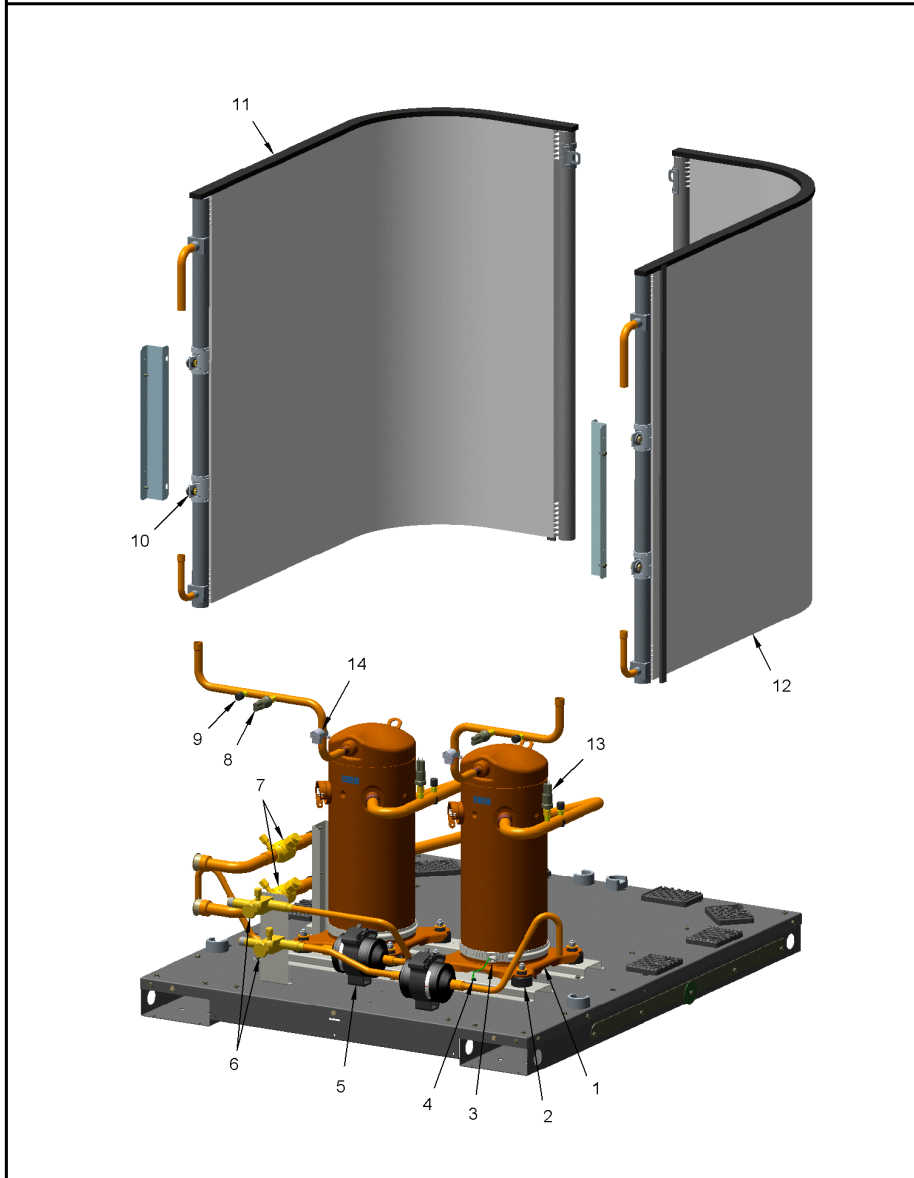
Part No.	Reference No.	Quantity	Description
75010898_TTAUP132_236153~P	*		REFRIGERATION PARTS LIST

REFRIGERATION

75010898

REV.
A

TYPICAL ILLUSTRATION



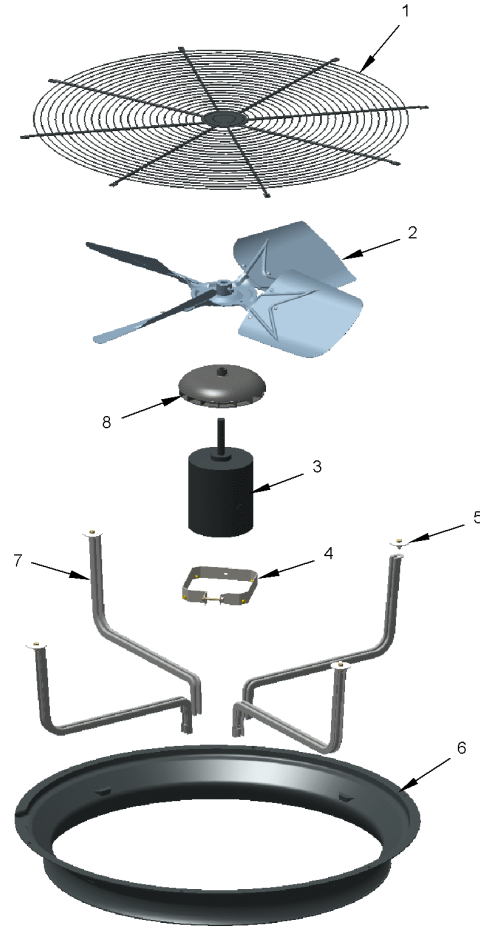
Part No.	Reference No.	Quantity	Description
COM10069	1	2	COMPRESSOR; SCROLL, SXA039B3BPZ, 3.25 TON, 200-230/60/3, R410A
GRM00888	2	8	GROMMET; ISOLATOR, COMPRESSOR, .438 ID X .160 GRV, .750 DIA X 1.625 OD, BLACK NEOPRENE RUBBER
NUT00355	2	8	NUT; HEX, LOCK, 5/16IN.-18
NUT00890	2	8	NUT; PALLET, 5/16-18 UNC 2B THD.
WAS00011	2	8	WASHER; 0.375 ID X .875 OD X .083 THK
HTR02379	3	2	HEATER; CRANKCASE, 70W, 240V, BB, 6.5 DIA.
SCR01562	4	2	SCREW; 10-32 X .50 TR HEX WSHR HD DARK GREEN COATED
WAS00611	4	2	WASHER;LOCK, .19 ID X .39 OD
DHY01470	5	2	DRIER; LIQUID LINE; SERVICE FIRST; 16 CU. IN. DCL165/4S, 5/8 ODF INLET X 1/2 ODF OUTLET; 11.4 TON CAPACITY; APPROVED FOR MINERAL OIL AND POE OIL REF
VAL11801	6	2	VALVE; SERVICE 750 PSIG
VAL10481	7	2	VALVE, SERVICE GAS, 0.88 OD, BALL VALVE ASSY, BRASS
SWT03017	8	2	SWITCH; HIGH PRESSURE, SPST, OPEN AT 650 PSIG, CLOSE AT 550 PSIG, 6.0 FLA, 36 LRA AT 120/240 VAC, 60 INCH ORANGE WIRE LEADS
VAL01483	8	2	VALVE; BODY, .44-20 THD X .25 ODS, STRAIGHT, BRASS, LESS CORE
CAP00455	9	4	CAP; HUB, 7/16-20 STRAIGHT
COR00006	9	4	CORE; VALVE PORT, .79 LENGTH, .206-36 UNS 2A THD
VAL01483	9	4	VALVE; BODY, .44-20 THD X .25 ODS, STRAIGHT, BRASS, LESS CORE
BLT00205	10	4	BOLT; 1/4-20 MA HX 5/8 S
GRM01027	10	4	GROMMET; COIL RETAINER
COL25503	11	1	COIL; OUTDOOR, MICROCHANNEL, LS, 31.34L X 15.29W X 31.91H
COL25502	12	1	COIL; OUTDOOR, MICROCHANNEL, RS, 31.34L X 15.29W X 31.91H
COR00006	13	2	CORE; VALVE PORT, .79 LENGTH, .206-36 UNS 2A THD
SWT03921	13	2	SWITCH; CONTROL; LOW PRESSURE; PRESS-LO - 35OP/55 CL, YELLOW LEADS
VAL01483	13	2	VALVE; BODY, .44-20 THD X .25 ODS, STRAIGHT, BRASS, LESS CORE
THT02761	14	2	THERMOSTAT; WITH CLIP, .5/.625 TUBE, 72" RED WIRES, SPST, 230F OPEN, 180F CLOSE

FAN

75010558

REV.
A

TYPICAL ILLUSTRATION



Parts List Number :75010897#TTAUP132

Model Number :TTA090H30RAA

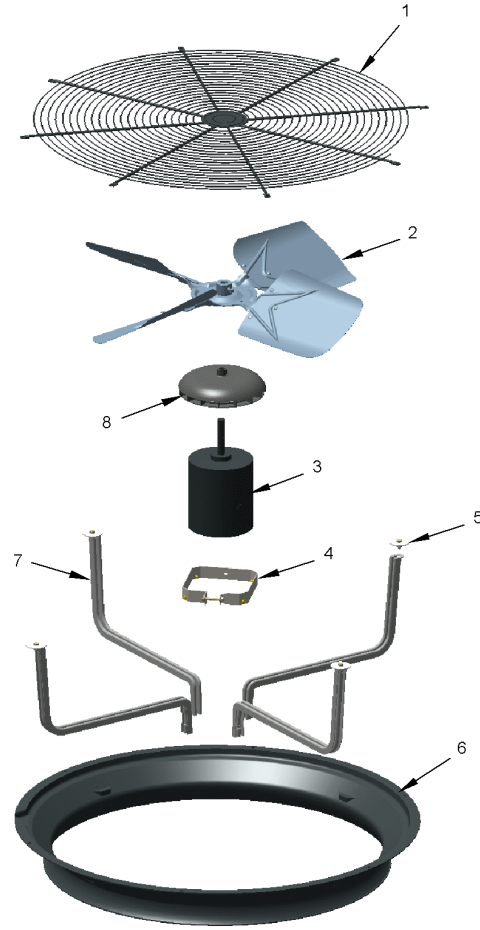
Part No.	Reference No.	Quantity	Description
75010558_TTAUP132_140560~P	*		FAN PARTS LIST

FAN

75010558

REV.
A

TYPICAL ILLUSTRATION



Part No.	Reference No.	Quantity	Description
NUT00517	*	6	NUT; SPEED
SCR00980	*	4	SCREW; 10-16 B HX 3/8 S XT
SCR01510	*	6	SCREW; 10-16 AB HXW 1/2 SN
SEL00418	*	1	SEAL; 2.80 FLUID OZ. TUBE
GRL00424	1	1	GRILLE; 26 IN PROP/ORIF
FAN02294	2	1	FAN; 3 BLADE, STEEL, 26 DIA, 24 DEG, .50 BORE, CW
MOT05059	3	1	MOTOR; 1/2 HP,208-230/60/1, 1100 RPM, CCW, PSC, OD, 48, BB, 10 AT 440V
BLT00191	4	1	BOLT; 1/4-20 MA HX 1-1 1/2 S
MNT00509	4	1	MOUNT; MOTOR, 17.63 L
NUT00721	4	1	NUT; FLANGE, 1/4-20 THREAD
WAS00641	4	1	WASHER; PLAIN STEEL, 1/4IN.
BLT00205	5	4	BOLT; 1/4-20 MA HX 5/8 S
NUT00721	5	4	NUT; FLANGE, 1/4-20 THREAD
WAS00718	5	4	WASHER; .312 ID X 1.75 OD
ORF01507	6	1	ORIFICE; FAN
ARM00192	7	4	ARM; MOTOR MOUNT
SLG00052	8	1	SLINGER; 1/2 IN. BORE, 2.38 OD DIA

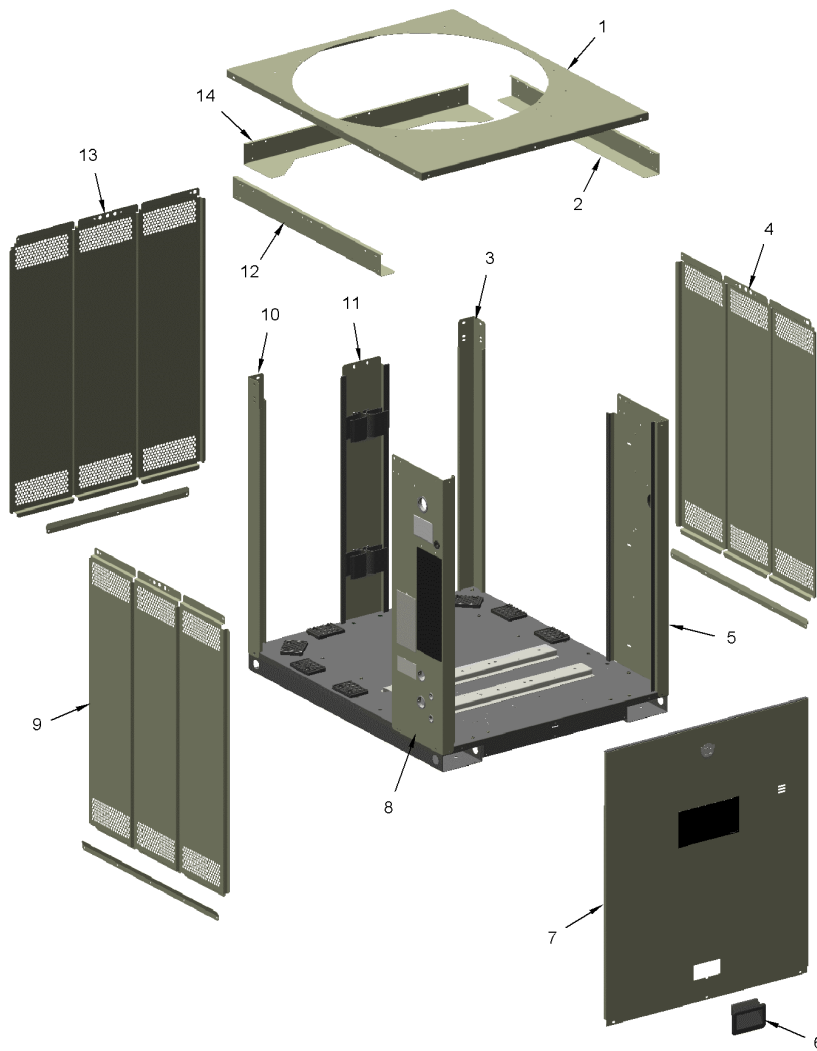
CABINET

75010902

REV.
A

TYPICAL ILLUSTRATION

Coil Guards are optional and will appear in the Parts List if ordered with the unit.



Parts List Number :75010897#TTAUP132

Model Number :TTA090H30RAA

Part No.	Reference No.	Quantity	Description
75010902_TTAUP132_173392~P	*		CABINET PARTS LIST

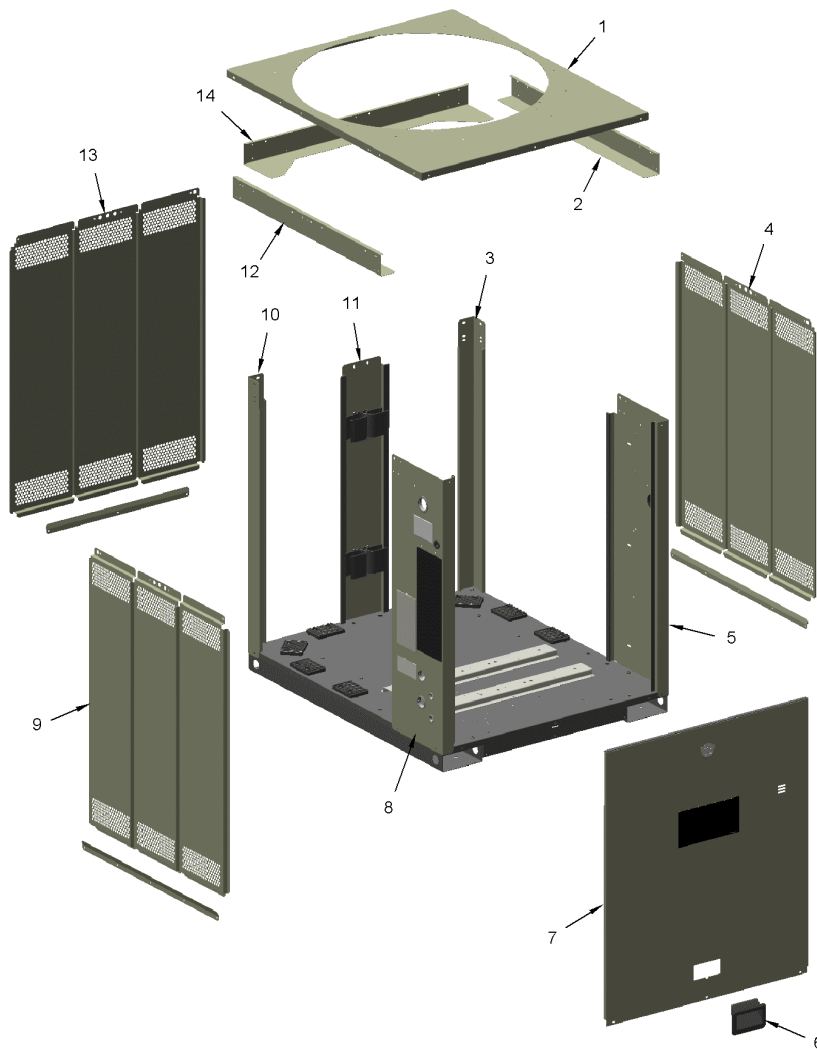
CABINET

75010902

REV.
A

TYPICAL ILLUSTRATION

Coil Guards are optional and will appear in the Parts List if ordered with the unit.



Part No.	Reference No.	Quantity	Description
PAI00074	*	1	PAINT; SPRAY, SLATE GREY, FULL GLOSS(88) (SHIPPING UOM 12 OZ HAZ)
COV04102	1	1	COVER; TOP, 41" X 34"
BOF02339	2	1	BLOCKOFF; SIDE, 31.16 X 2.83 X 2.30
PNL26713	3	1	PANEL; FRAME CORNER, 2.50 X 2.50 X 36.41
FRM02251	5	1	FRAME; RIGHT SIDE PANEL, 36.30 X 11.44. INCLUDES 1 EA OF PLU00361 & PLU00999, AND GASKETS
HDL00887	6	1	HANDLE; ACCESS PANEL, BLACK PLASTIC, 5.15 X 3.275
PNL27098	7	1	PANEL; ACCESS, 30.3 X 36.1
FRM02252	8	1	FRAME; LEFT SIDE PANEL, 36.30 X 11.44. INCLUDES 1 EA OF GRM00118 & BUS00181, 2 EA OF BUS00361 & BUS00373, AND GASKETS
PNL26713	10	1	PANEL; FRAME CORNER, 2.50 X 2.50 X 36.41
PNL32068	11	1	PANEL; REAR CENTER, 34.56 X 7.11, INCLUDES PLASTIC COIL CLIPS
BOF02339	12	1	BLOCKOFF; SIDE, 31.16 X 2.83 X 2.30
BOF02340	14	1	BLOCKOFF; REAR, 33.60 X 5.79 X 2.80

MODEL NUMBER DESCRIPTION	75010909	REL A														
<p>SPLIT SYSTEM COOLING ODYSSEY</p>																
<p><i>Example Model Number:</i></p> <p>T T A 0 9 0 G 3 0 0 A A</p> <p>1 - - - - 5 - - - - 10 - -</p>																
<p>Digits 1,2,3 – Product Type TTA = Split System Cooling</p>																
<p>Digits 4,5,6 – Nominal Gross Cooling Capacity (MBh)</p> <table style="width: 100%; border: none;"> <tr> <td style="width: 50%;">061 = 5 Tons (50 Hz)</td> <td style="width: 50%;">150 = 12.5 Tons (60 Hz)</td> </tr> <tr> <td>073 = 6 Tons (60 Hz)</td> <td>156 = 13 Tons (50 Hz)</td> </tr> <tr> <td>076 = 6.25 Tons (50 Hz)</td> <td>180 = 15 Tons (60 Hz)</td> </tr> <tr> <td>090 = 7.5 Tons (60 Hz)</td> <td>201 = 16.7 Tons (50 Hz)</td> </tr> <tr> <td>101 = 8.33 Tons (50 Hz)</td> <td>240 = 20 Tons (60 Hz)</td> </tr> <tr> <td>120 = 10 Tons (60 Hz)</td> <td>251 = 20.9 Tons (50 Hz)</td> </tr> <tr> <td>126 = 10.4 Tons (50 Hz)</td> <td>300 = 25 Tons (60 Hz)</td> </tr> </table>			061 = 5 Tons (50 Hz)	150 = 12.5 Tons (60 Hz)	073 = 6 Tons (60 Hz)	156 = 13 Tons (50 Hz)	076 = 6.25 Tons (50 Hz)	180 = 15 Tons (60 Hz)	090 = 7.5 Tons (60 Hz)	201 = 16.7 Tons (50 Hz)	101 = 8.33 Tons (50 Hz)	240 = 20 Tons (60 Hz)	120 = 10 Tons (60 Hz)	251 = 20.9 Tons (50 Hz)	126 = 10.4 Tons (50 Hz)	300 = 25 Tons (60 Hz)
061 = 5 Tons (50 Hz)	150 = 12.5 Tons (60 Hz)															
073 = 6 Tons (60 Hz)	156 = 13 Tons (50 Hz)															
076 = 6.25 Tons (50 Hz)	180 = 15 Tons (60 Hz)															
090 = 7.5 Tons (60 Hz)	201 = 16.7 Tons (50 Hz)															
101 = 8.33 Tons (50 Hz)	240 = 20 Tons (60 Hz)															
120 = 10 Tons (60 Hz)	251 = 20.9 Tons (50 Hz)															
126 = 10.4 Tons (50 Hz)	300 = 25 Tons (60 Hz)															
<p>Digit 7 – Major Development Sequence G = Single Compressor, Single Circuit, Microchannel H = Dual Compressor, Dual Circuit, Microchannel J = Dual Compressor, Single Circuit (Manifold Scrolls Compressors), Microchannel</p>																
<p>Digit 8 – Electrical Characteristics 3 = 208-230/60/3 4 = 460/60/3 W = 575/60/3 D = 380-415/50/3 K = 380/60/3</p>																
<p>Digits 9,10 – Factory Installed Options 00 = Packed Stock 0S = Coated Coil 0R = ReliaTel, no LCI Board 0T = ReliaTel, no LCI Board and Coated Coil 0U = ReliaTel with LCI Board 0W = ReliaTel with LCI Board and Coated Coil H0 = Hail Guard with Packed Stock HS = Hail Guard with Coated Coil HR = Hail Guard with ReliaTel, no LCI Board HT = Hail Guard with ReliaTel, no LCI Board and Coated Coil HU = Hail Guard with ReliaTel with LCI Board HW = Hail Guard with ReliaTel with LCI Board and Coated Coil</p>																
<p>Digit 11 – Minor Design Sequence * = Current Design Sequence</p>																
<p>Digit 12 – Service Digit * = Current Design Sequence</p>																
1 of 1																

Part No.	Reference No.	Quantity	Description
75010909_TTAUP132_113656~P	*		MODEL NUMBER DESCRIPTION PARTS LIST

MODEL NUMBER DESCRIPTION	75010909	REL A														
SPLIT SYSTEM COOLING ODYSSEY																
<i>Example Model Number:</i> T T A 0 9 0 G 3 0 0 A A 1 - - - - 5 - - - - 10 - -																
Digits 1,2,3 – Product Type TTA = Split System Cooling																
Digits 4,5,6 – Nominal Gross Cooling Capacity (MBh) <table style="width: 100%; border: none;"> <tr> <td style="width: 50%;">061 = 5 Tons (50 Hz)</td> <td style="width: 50%;">150 = 12.5 Tons (60 Hz)</td> </tr> <tr> <td>073 = 6 Tons (60 Hz)</td> <td>156 = 13 Tons (50 Hz)</td> </tr> <tr> <td>076 = 6.25 Tons (50 Hz)</td> <td>180 = 15 Tons (60 Hz)</td> </tr> <tr> <td>090 = 7.5 Tons (60 Hz)</td> <td>201 = 16.7 Tons (50 Hz)</td> </tr> <tr> <td>101 = 8.33 Tons (50 Hz)</td> <td>240 = 20 Tons (60 Hz)</td> </tr> <tr> <td>120 = 10 Tons (60 Hz)</td> <td>251 = 20.9 Tons (50 Hz)</td> </tr> <tr> <td>126 = 10.4 Tons (50 Hz)</td> <td>300 = 25 Tons (60 Hz)</td> </tr> </table>			061 = 5 Tons (50 Hz)	150 = 12.5 Tons (60 Hz)	073 = 6 Tons (60 Hz)	156 = 13 Tons (50 Hz)	076 = 6.25 Tons (50 Hz)	180 = 15 Tons (60 Hz)	090 = 7.5 Tons (60 Hz)	201 = 16.7 Tons (50 Hz)	101 = 8.33 Tons (50 Hz)	240 = 20 Tons (60 Hz)	120 = 10 Tons (60 Hz)	251 = 20.9 Tons (50 Hz)	126 = 10.4 Tons (50 Hz)	300 = 25 Tons (60 Hz)
061 = 5 Tons (50 Hz)	150 = 12.5 Tons (60 Hz)															
073 = 6 Tons (60 Hz)	156 = 13 Tons (50 Hz)															
076 = 6.25 Tons (50 Hz)	180 = 15 Tons (60 Hz)															
090 = 7.5 Tons (60 Hz)	201 = 16.7 Tons (50 Hz)															
101 = 8.33 Tons (50 Hz)	240 = 20 Tons (60 Hz)															
120 = 10 Tons (60 Hz)	251 = 20.9 Tons (50 Hz)															
126 = 10.4 Tons (50 Hz)	300 = 25 Tons (60 Hz)															
Digit 7 – Major Development Sequence G = Single Compressor, Single Circuit, Microchannel H = Dual Compressor, Dual Circuit, Microchannel J = Dual Compressor, Single Circuit (Manifold Scrolls Compressors), Microchannel																
Digit 8 – Electrical Characteristics 3 = 208-230/60/3 4 = 460/60/3 W = 575/60/3 D = 380-415/50/3 K = 380/60/3																
Digits 9,10 – Factory Installed Options 00 = Packed Stock 0S = Coated Coil 0R = ReliaTel, no LCI Board 0T = ReliaTel, no LCI Board and Coated Coil 0U = ReliaTel with LCI Board 0W = ReliaTel with LCI Board and Coated Coil H0 = Hail Guard with Packed Stock HS = Hail Guard with Coated Coil HR = Hail Guard with ReliaTel, no LCI Board HT = Hail Guard with ReliaTel, no LCI Board and Coated Coil HU = Hail Guard with ReliaTel with LCI Board HW = Hail Guard with ReliaTel with LCI Board and Coated Coil																
Digit 11 – Minor Design Sequence * = Current Design Sequence																
Digit 12 – Service Digit * = Current Design Sequence																
1 of 1																

FIELD INSTALLED ACCESSORIES

Parts List Number :75010897#TTAUP132

Model Number :TTA090H30RAA

Part No.	Reference No.	Quantity	Description
OPTIONSTTA_TTAUP132_11365 7~P	*		FIELD INSTALLED ACCESSORIES PARTS LIST

NO GRAPHIC AVAILABLE

75013702

REV
A

**NO
GRAPHIC
AVAILABLE**

Parts List Number :75010897#TTAUP132

Model Number :TTA090H30RAA

Part No.	Reference No.	Quantity	Description
BAYHGBP010B	*	1	KIT; HOT GAS BYPASS KIT, R-410A
BAYLOAMU01B	*	1	KIT; LOW AMBIENT ON/OFF FAN CONTROL KIT
GRD01694	*	1	GUARD; CONDENSER HAIL (BAYGARD058A)
KIT02208	*	1	KIT; ISOLATOR (BAYISLT004A)
KIT02219	*	1	KIT; ISOLATOR (BAYISLT023A)
KIT09500	*	1	LCIR W/ SHORT HARNESS 3-10 TON PACKAGE UNITS (HARNESS = WIR03458) LCI-R SHORT KIT
KIT16777	*	1	KIT; RELIATEL COMMUNICATIONS INTERFACE THAT INCORPORATES LONTALK PROTOCOL (BAYLTCI002BB)