

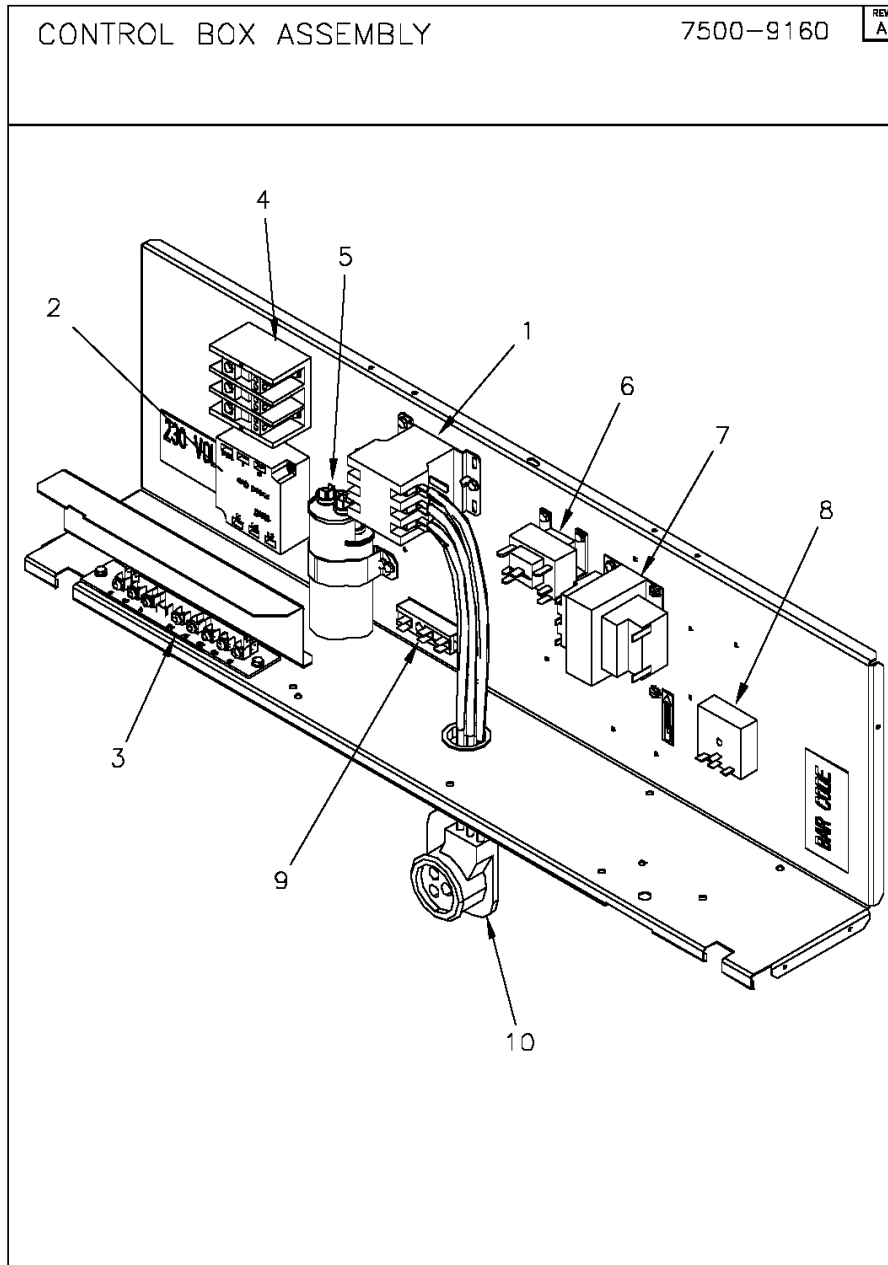
Part No.	Reference No.	Quantity	Description
75009166#TTAUP118~S	*		COIL & COMPRESSOR ASSEMBLY
75009201#TTAUP118~S	*		COMPONENT LOCATION
75009160#TTAUP118~S	*		CONTROL PANEL ASSEMBLY
75000867#TTAUP118~S	*		COVER & FAN ASSEMBLY
75009085#TTAUP118~S	*		MODEL NOMENCLATURE
TTA118_TTAUP118_237102~P	*		TTAUP118 PARTS LIST

NO GRAPHIC AVAILABLE

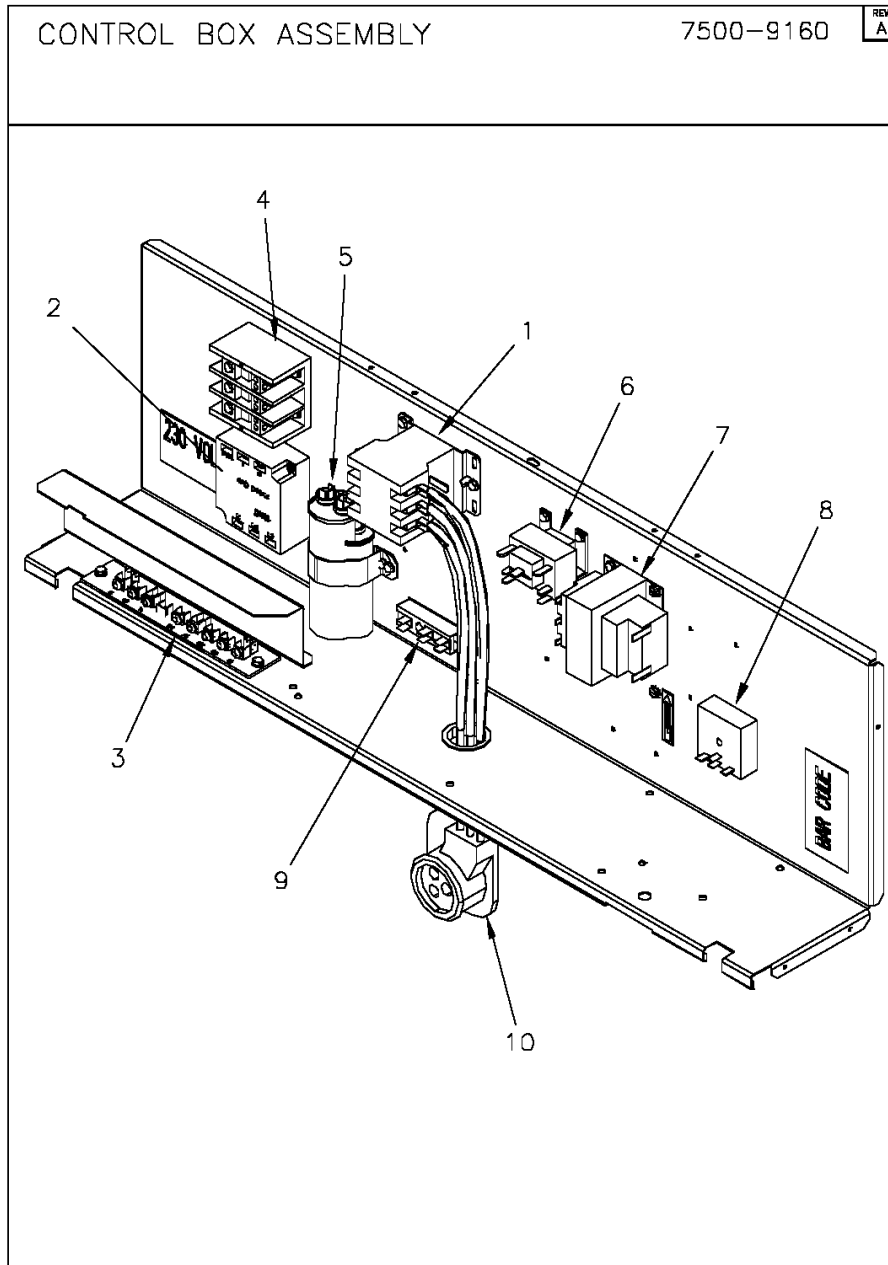
75013702

REV
A

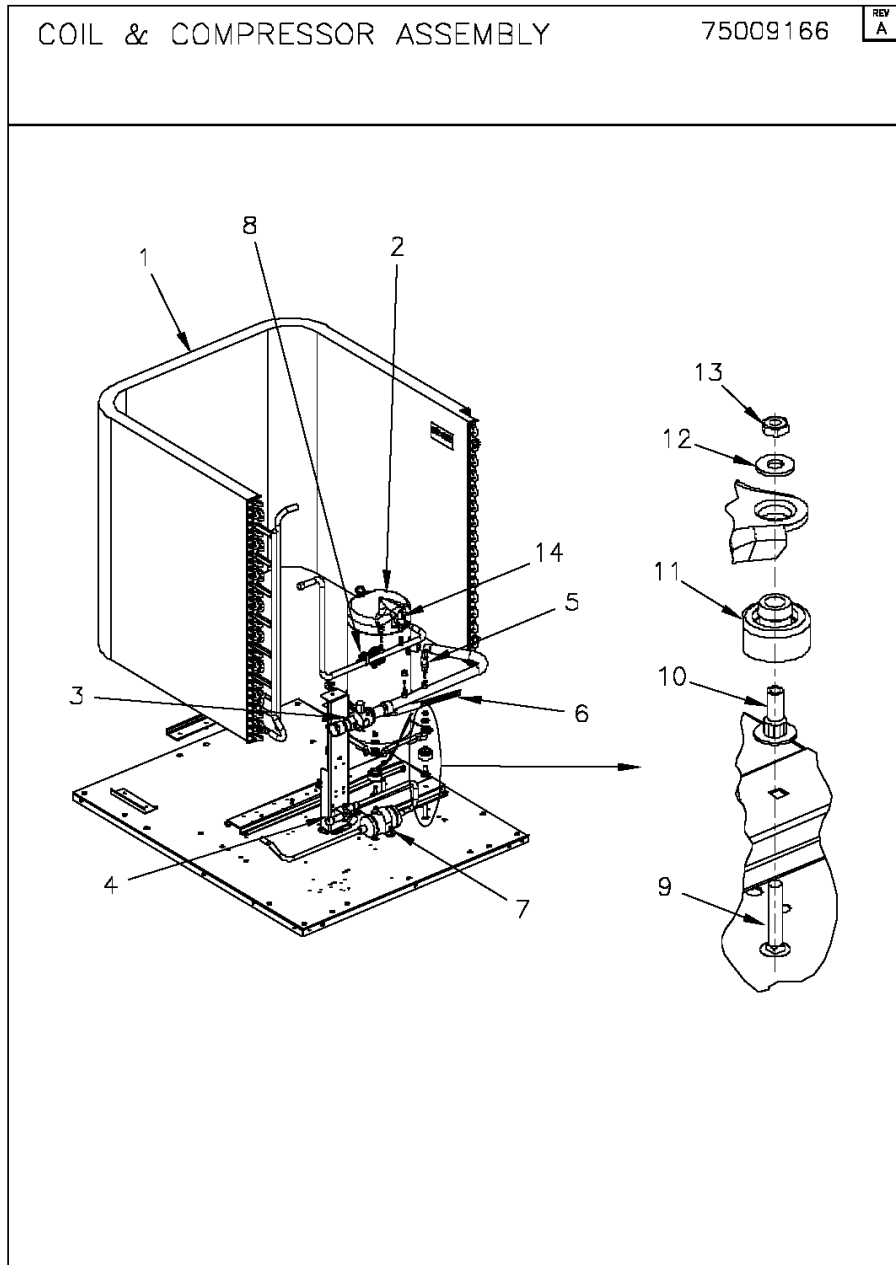
**NO
GRAPHIC
AVAILABLE**



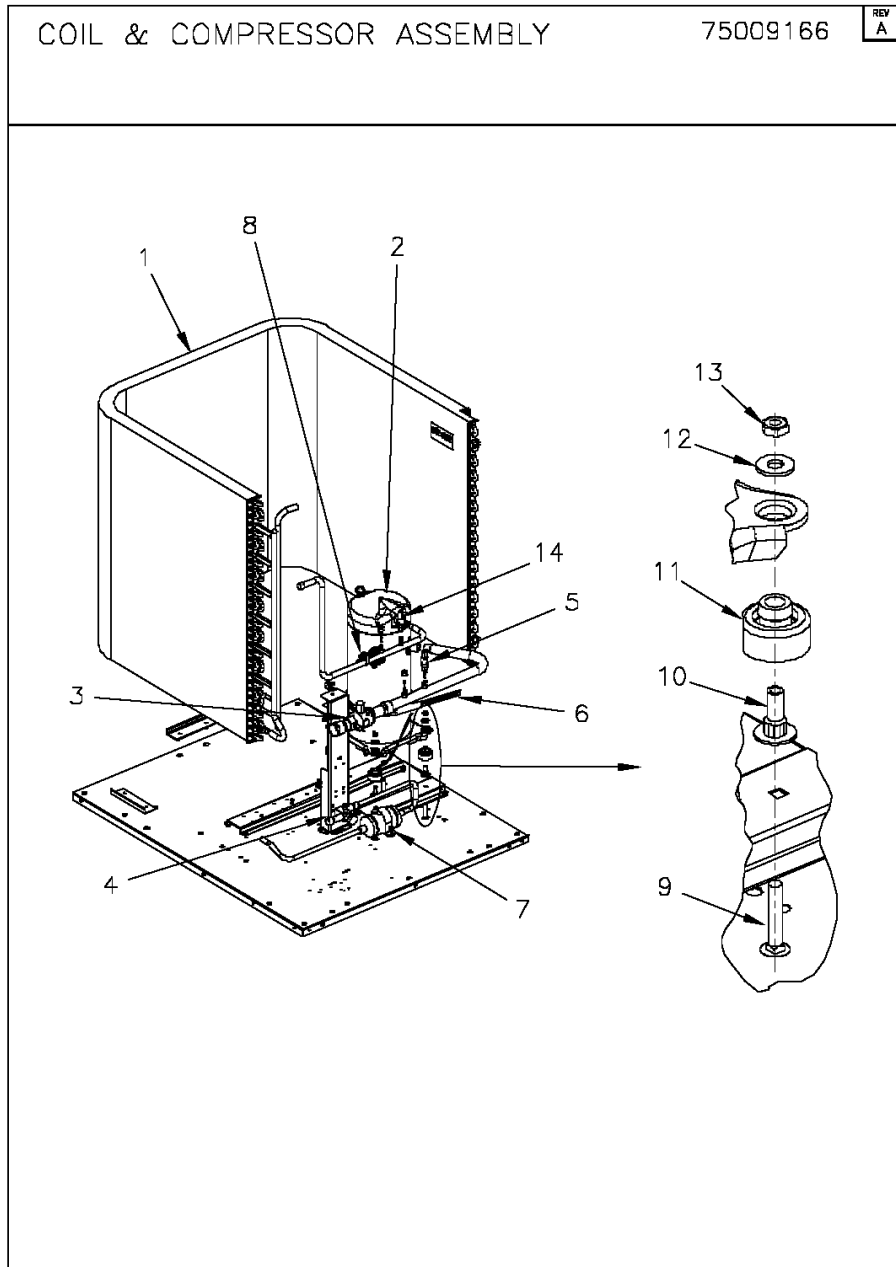
Part No.	Reference No.	Quantity	Description
75009160_TTAUP118_265451~P	*		CONTROL PANEL ASSEMBLY PARTS LIST



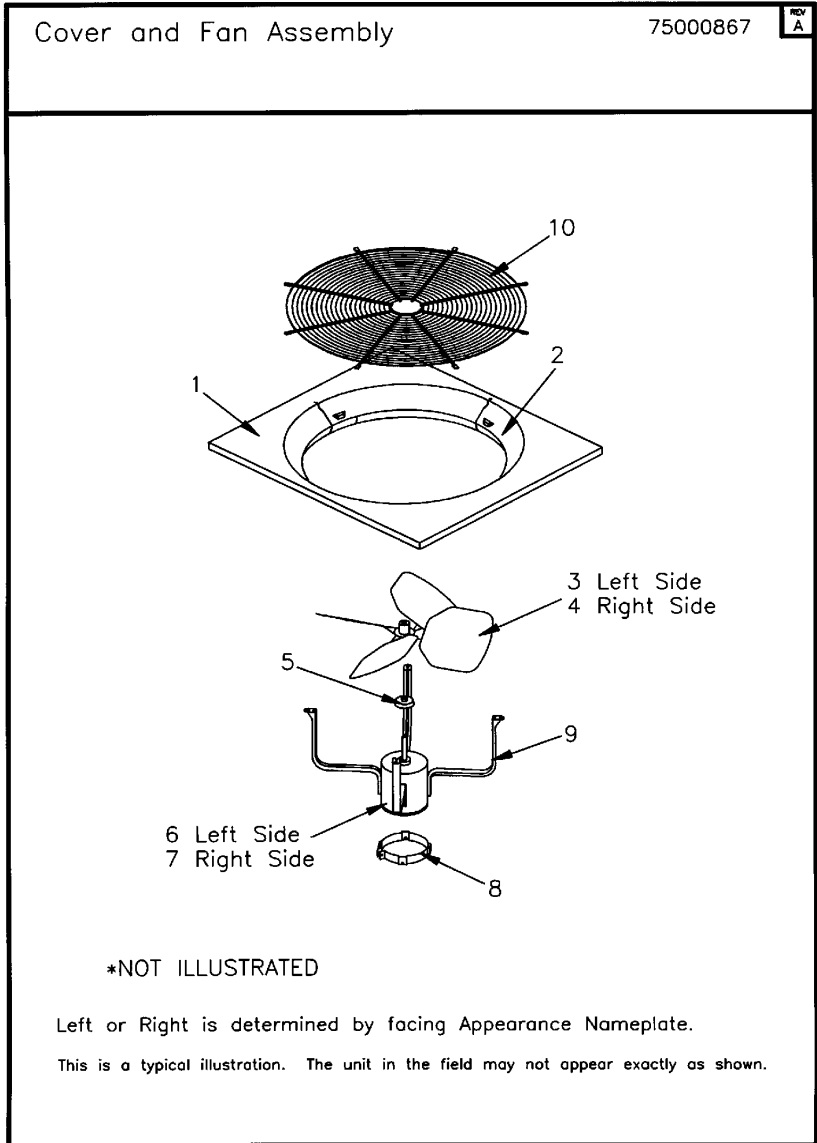
Part No.	Reference No.	Quantity	Description
CTR00441	1	1	CONTACTOR; 40A/600V, 24V COIL (CPD)
CNT05176	2	1	CONTROL; MONITOR, 3-PHASE LINE, UNIVERSAL 180-632 VAC, PHASE AND LOSS REVERSAL
BRD00651	3	1	BOARD; TERMINAL, 5 PIN (B1,B2,Y1,Y2,R)
TER00160	4	1	TERMINAL; BLOCK, 3 POLE, 175A, 600V, PRESSURE LUGS
CPT00554	5	1	CAPACITOR; 10 MFD, 440 VOLT, OVAL
RLY01040	6	1	RELAY; SPDT, 120/208/240/277/480/600V, QUICK CONNECT TERM., 24V COIL
TRR00825	7	1	TRANSFORMER; 75 VA, 208-230V PRI, 24V SEC
RLY01634	8	1	RELAY; TIME DELAY, SP, 3 MIN, .5 AMP, 24 VAC COIL, ASCT
BRD00385	9	1	BOARD; TERMINAL, FAN, 24V, 3 POLE
PLU01047	10	1	PLUG; HARNESS, COMPRESSOR, 10GA, 208/230,380-415V 460V,575V, CPR1 (4A,5A,6A), WIRE TERMINATORS



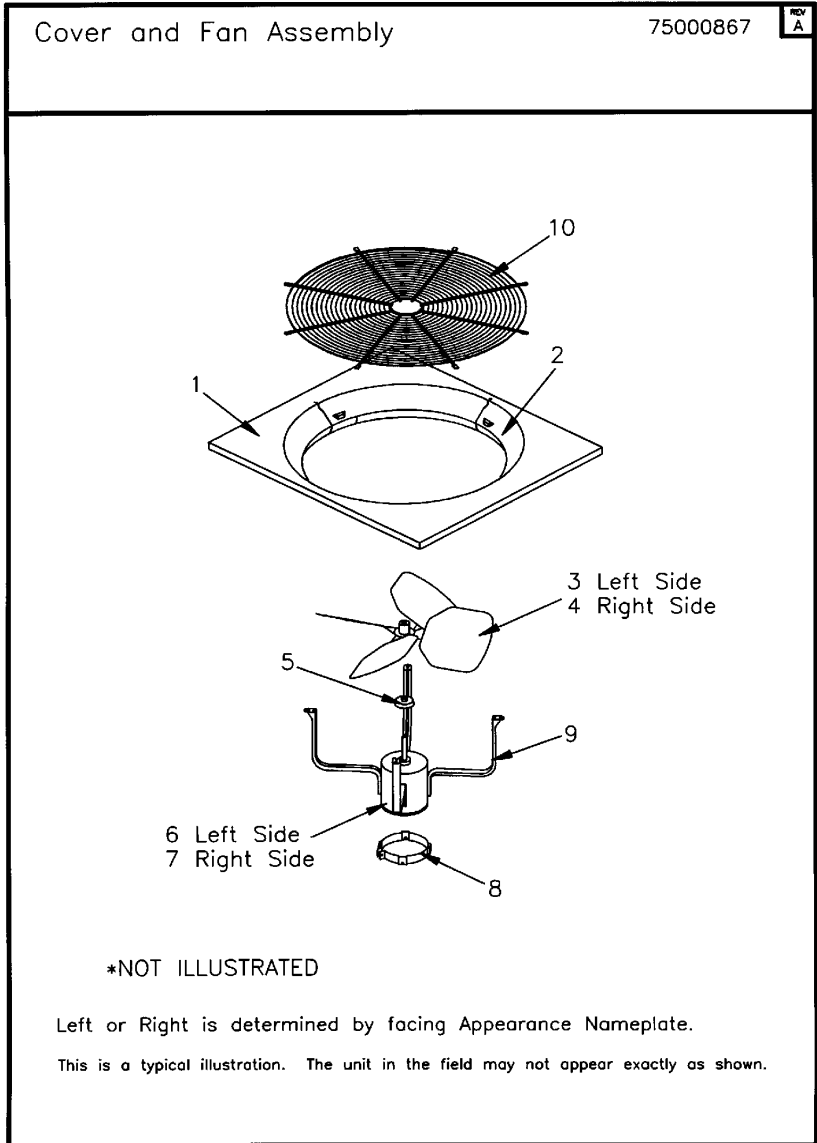
Part No.	Reference No.	Quantity	Description
75009166_TTAUP118_265652~P	*		COIL & COMPRESSOR ASSEMBLY PARTS LIST



Part No.	Reference No.	Quantity	Description
COL16052	1	1	COIL; ASSEMBLY, OUTDOOR, INCLUDES HEADER AND DISTRIBUTOR
COM08837	2	1	COMPRESSOR; SCROLL, SSA067A3BPZ, 5.6 TON, 200/230/60/3, 200/220/50/3, R410A, .50 ID DISCHARGE, .875 ID SUCTION
VAL07028	3	1	VALVE; SERVICE, RIGHT HAND, 1.38 ID CONN
VAL09571	4	1	VALVE; SERVICE LIQUID, 5/8"
SWT03018	5	1	SWITCH; LOW PRESSURE, SPST NORMALLY OPEN, OPEN AT 25 PSIG, CLOSE AT 41 PSIG, 6.0 FLA, 36 LRA AT 120/240 VAC, 60 INCH BLUE WIRE LEADS.
HTR09507	6	1	HEATER; CRANKCASE, 70W , 230 VOLTS, 60" LEADS
DHY00226	7	1	DRIER; FILTER, 5/8 INLET, 1/2 OUTLET, SWEAT CONNECTIONS
THT02761	8	1	THERMOSTAT; WITH CLIP, .5/.625 TUBE, 72" RED WIRES, SPST, 230F OPEN, 180F CLOSE
BLT00809	9	4	BOLT; CARRIAGE, 5/16-18 X 1-3/4
NUT00890	10	4	NUT; PALLET, 5/16-18 UNC 2B THD.
ISR00007	11	4	ISOLATOR; VIBRATION
WAS00011	12	4	WASHER; 0.375 ID X .875 OD X .083 THK
NUT00407	13	4	NUT; HEX, MACH, .31-18
SWT03017	14	1	SWITCH; HIGH PRESSURE, SPST, OPEN AT 650 PSIG, CLOSE AT 550 PSIG, 6.0 FLA, 36 LRA AT 120/240 VAC, 60 INCH ORANGE WIRE LEADS



Part No.	Reference No.	Quantity	Description
75000867_TTAUP118_264235~P	*		COVER & FAN ASSEMBLY PARTS LIST

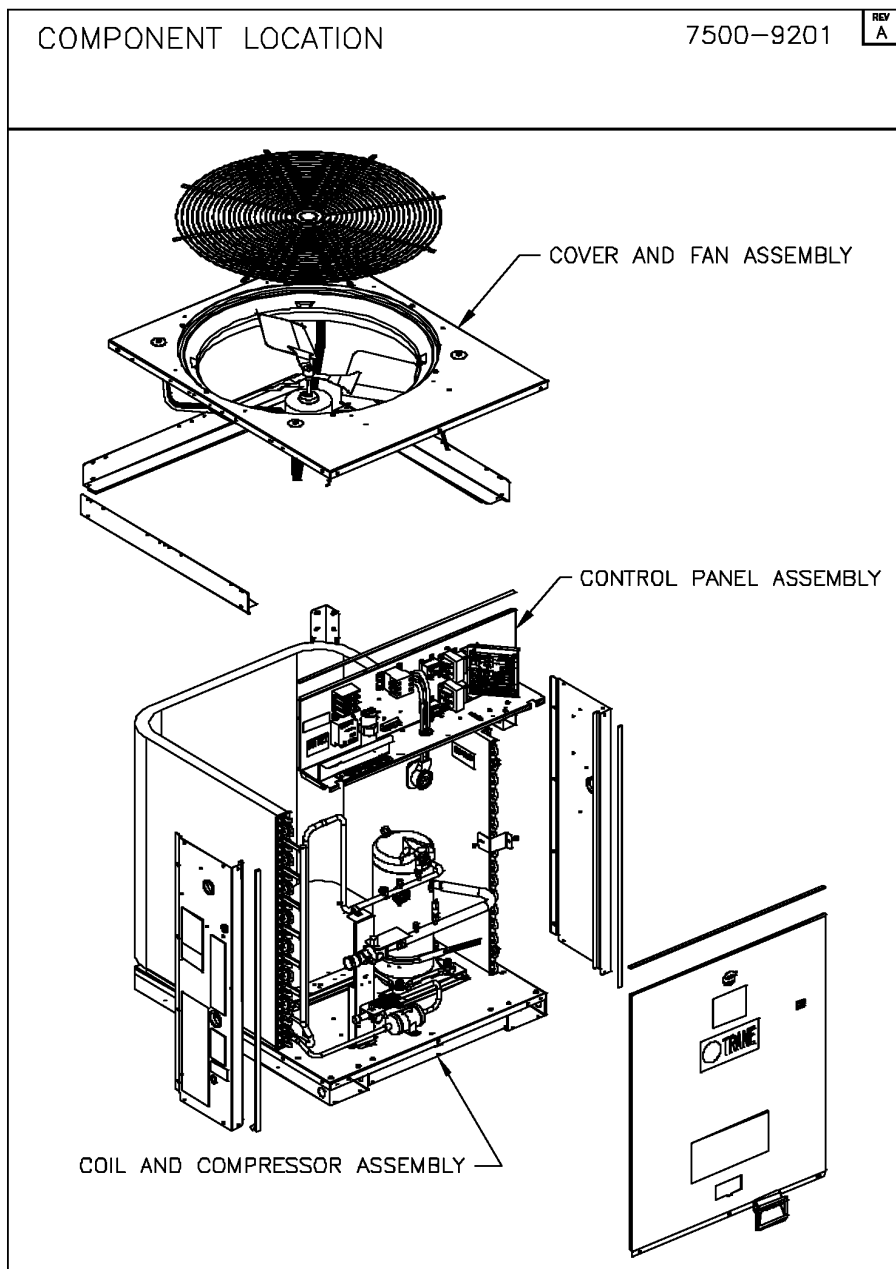


Part No.	Reference No.	Quantity	Description
COV04102	1	1	COVER; TOP, 41" X 34"
ORF01507	2	1	ORIFICE; FAN
FAN02294	3	1	FAN; 3 BLADE, STEEL, 26 DIA, 24 DEG, .50 BORE, CW
SLG00052	5	1	SLINGER; 1/2 IN. BORE, 2.38 OD DIA
MOT05059	6	1	MOTOR; 1/2 HP,208-230/60/1, 1100 RPM, CCW, PSC, OD, 48, BB, 10 AT 440V
MNT00509	8	1	MOUNT; MOTOR, 17.63 L
ARM00192	9	4	ARM; MOTOR MOUNT
GRL00424	10	1	GRILLE; 26 IN PROP/ORIF

Model Nomenclature	75009085	REV A
Condensing Units		
	1 2 3 4 5 6 7 8 9 10 11 12	
	T T A 0 6 1 D 3 0 0 E A	
<u>Product Type</u> _____		
TTA = Split System Cooling Only TWA = Split System Heat Pump		
<u>Nominal Gross Cooling Capacity (MBH)</u> _____		
061 = 5 Tons 126 = 10.5 Tons 251 = 21 Tons 073 = 6 Tons 150 = 12.5 Tons 300 = 25 Tons 076 = 6.3 Tons 156 = 13 Tons 086 = 7.1 Tons 180 = 15 Tons 090 = 7.5 Tons 201 = 16.7 Tons 101 = 8.4 Tons 240 = 20 Tons 120 = 10 Tons Example: 061 MBH = 5 Tons		
<u>Major Development Sequence</u> _____		
D = Single Compressor/Single Refrigerant Circuit, R-410A E = Dual Compressor/Dual Refrigerant Circuit, R-410A F = Dual Compressor/Single Manifold Refrigerant Circuit, R410A		
<u>Electrical Characteristics</u> _____		
3 = 208-230/60/3 4 = 460/60/3 W = 575/60/3 D = 380-415/50/3 K = 380/60/3		
<u>Factory Installed Options</u> _____		
00 = Packed Stock 0S = Complete Coat Coil 0R = ReliaTel Controls 0T = ReliaTel Controls and Complete Coat Coil 0U = ReliaTel Controls with LonTalk Communications Interface (RLCI) 0W = ReliaTel Controls with LonTalk Communications Interface (RLCI) and Complete Coat Coil H0 = Hail Guard HS = Hail Guard and Complete Coat Coil HR = Hail Guard and ReliaTel Controls HT = Hail Guard and ReliaTel Controls and Complete Coat Coil HU = Hail Guard and ReliaTel Controls with LonTalk Communications Interface (RLCI) HW = Hail Guard and ReliaTel Controls with LonTalk Communications Interface (RLCI) and Complete Coat Coil		
<u>Minor Design Sequence</u> _____		
Current Design Sequence		
<u>Service Digit</u> _____		

Part No.	Reference No.	Quantity	Description
75009085_TTAUP118_237104~P	*		MODEL NOMENCLATURE PARTS LIST

Model Nomenclature	75009085	REV A
Condensing Units		
	1 2 3 4 5 6 7 8 9 10 11 12	
	T T A 0 6 1 D 3 0 0 E A	
<u>Product Type</u> _____		
TTA = Split System Cooling Only TWA = Split System Heat Pump		
<u>Nominal Gross Cooling Capacity (MBH)</u> _____		
061 = 5 Tons 126 = 10.5 Tons 251 = 21 Tons 073 = 6 Tons 150 = 12.5 Tons 300 = 25 Tons 076 = 6.3 Tons 156 = 13 Tons 086 = 7.1 Tons 180 = 15 Tons 090 = 7.5 Tons 201 = 16.7 Tons 101 = 8.4 Tons 240 = 20 Tons 120 = 10 Tons Example: 061 MBH = 5 Tons		
<u>Major Development Sequence</u> _____		
D = Single Compressor/Single Refrigerant Circuit, R-410A E = Dual Compressor/Dual Refrigerant Circuit, R-410A F = Dual Compressor/Single Manifold Refrigerant Circuit, R410A		
<u>Electrical Characteristics</u> _____		
3 = 208-230/60/3 4 = 460/60/3 W = 575/60/3 D = 380-415/50/3 K = 380/60/3		
<u>Factory Installed Options</u> _____		
00 = Packed Stack 0S = Complete Coat Coil 0R = ReliaTel Controls 0T = ReliaTel Controls and Complete Coat Coil 0U = ReliaTel Controls with LonTalk Communications Interface (RLCI) 0W = ReliaTel Controls with LonTalk Communications Interface (RLCI) and Complete Coat Coil H0 = Hail Guard HS = Hail Guard and Complete Coat Coil HR = Hail Guard and ReliaTel Controls HT = Hail Guard and ReliaTel Controls and Complete Coat Coil HU = Hail Guard and ReliaTel Controls with LonTalk Communications Interface (RLCI) HW = Hail Guard and ReliaTel Controls with LonTalk Communications Interface (RLCI) and Complete Coat Coil		
<u>Minor Design Sequence</u> _____		
Current Design Sequence		
<u>Service Digit</u> _____		



Part No.	Reference No.	Quantity	Description
75009201_TTAUP118_237107~P	*		COMPONENT LOCATION PARTS LIST

