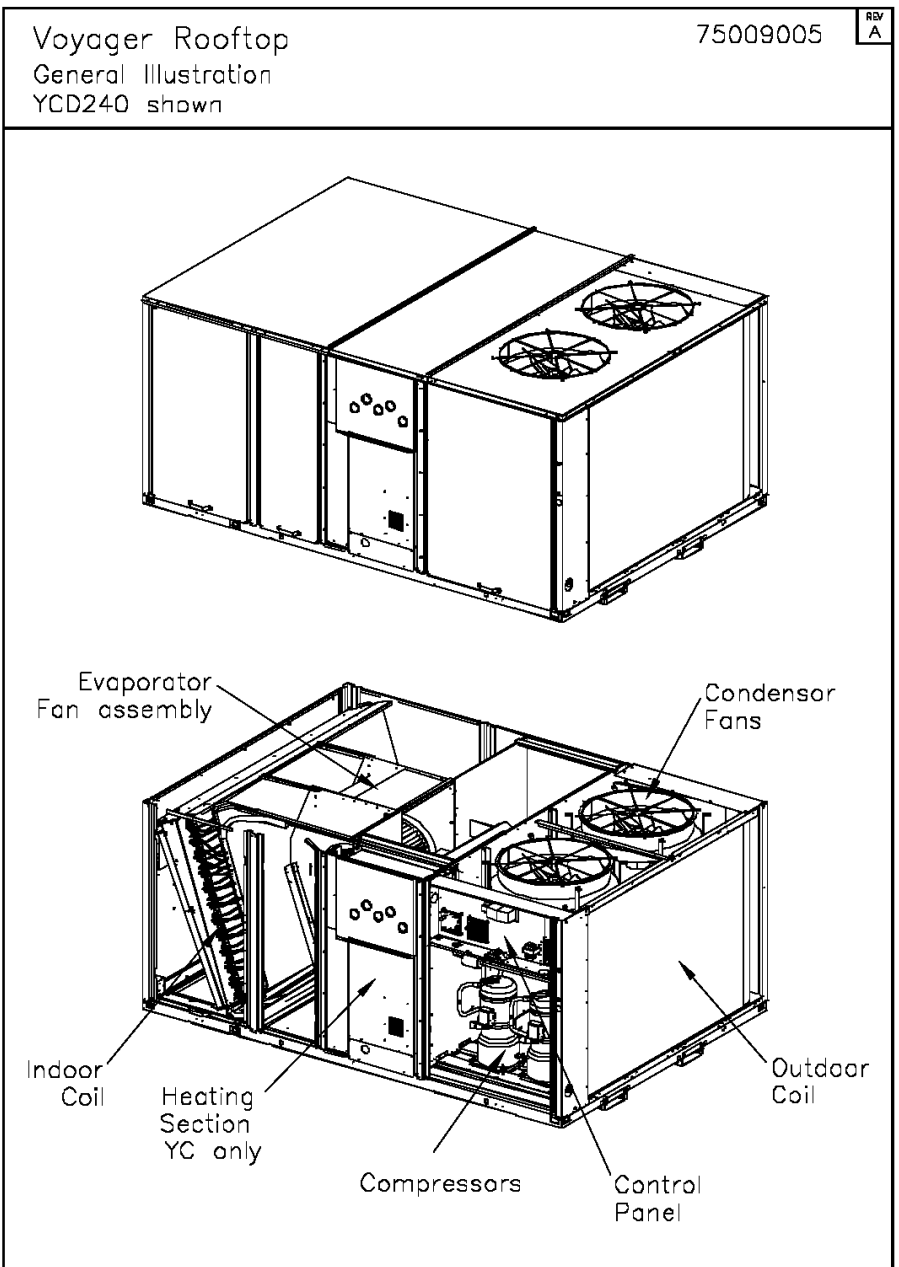


| Part No. | Reference No. | Quantity | Description |
|-----------------|----------------------|-----------------|--------------------------------------|
| 75009901 | SEC 01 | | MODEL NUMBER DESCRIPTION DIGIT 1-17 |
| 75009902 | SEC 01 | | MODEL NUMBER DESCRIPTION DIGIT 18-31 |
| 75009005 | SEC 02 | | GENERAL ILLUSTRATION |
| 75010913 | SEC 03 | | COMPRESSOR MOUNTING HARDWARE |
| 75011760 | SEC 03 | | COMPRESSOR POWER HARNESSSES |
| 75009908 | SEC 03 | | COMPRESSORS AND CRANKCASE HEATERS |
| 75009944 | SEC 03 | | REFRIGERATION CIRCUIT CONTROLS |
| 75009909 | SEC 04 | | FILTERS AND DRAIN PANS |
| 75009012 | SEC 08 | | OUTDOOR FAN ASSEMBLY |
| 75009952 | SEC 09 | | INDOOR FAN ASSEMBLY |
| 75009910 | SEC 10 | | OUTDOOR CONDENSOR COIL |
| 75009958 | SEC 25 | | UNIT SENSING |
| 75012744 | SEC 41 | | AIR FLOW PANELS |
| 75012749 | SEC 43 | | COMM PANELS |
| 75012144 | SEC 45 | | OPTIONAL FIELD INSTALLED ACCESSORIES |

| Model Number Description | 75009902 | REV E |
|--|--|----------|
| <p>Voyager 2 Digits 18-31</p> | | |
| <p>Digit 18 Through The Base Provisions 0= No through the base provisions A= Through the base electric B= Through the base gas C= Through the base electric and gas D= Through the base access</p> | <p>Digit 25 System Monitoring Controls 0= No monitoring controls 1= Clogged filter switch 2= Fan failure switch 3= Discharge air sensing 4= Clogged filter switch and fan failure</p> | |
| <p>Digit 19 Disconnect Switch/ Circuit Breaker 0= No Disconnect,circuit break, phase monitor 1= Unit Mount Non-Fused and Disconnect Switch 2= Unit Mount Circuit Breaker 3= Phase Monitor 4= Phase Monitor and Disconnect 5= Phase Monitor and Circuit Breaker</p> | <p>5= Clogged switch and discharge air sensing 6= Fan failure switch and discharge air sensing 7= Clogged filter switch, fan failure switch and discharge air sensing 8= NOVAR Return Air Sensor (Novar 2024) 9= NOVAR Zone Temp Sensor (Novar 3051)</p> | |
| <p>Digit 20 Convenience Outlet Option 0= Without Convenience Outlet A= Convenience Outlet Unpowered (FIELD) B= Convenience Outlet Powered (FACTORY)</p> | <p>A= Condensate Overflow Switch B= Condensate Overflow Switch and Clogged filter switch C= Condensate Overflow Switch and Fan Fail</p> | |
| <p>Digit 21 Communications Options 0= Without Communications Options 1= Trane Communications Interface 2= Lontalk Communications Interface 3= Novar 2024 Controls Interface 4= Novar 3051 Controls Interface 5= Novar 3051 Communications Interface with Demand Control Ventilation 6= Building Automation Control Network Communications Interface 7= Wireless Building Automation Control Network Communications Interface</p> | <p>D= Condensate Overflow Switch and Discharge Air E= Condensate Overflow Switch and Clogged filter switch, Fan Fail F= Condensate Overflow Switch and Clogged filter switch, Discharge Air G= Condensate Overflow Switch and Fan Fail, Discharge Air H= Condensate Overflow Switch, Clogged Filter, Fan Fail, Discharge Air</p> | |
| <p>Digit 22 Refrigeration System Option 0= Standard refrigeration system A= Thermal Expansion Valve (TXV) B= Dehumidification (hot gas reheat)</p> | <p>Digit 26 System Monitoring Controls 0= No monitoring controls A= Demand Control Ventilation B= Fault Detection Device C= Demand Control Ventilation and Fault Detection Device</p> | |
| <p>Digit 23 Refrigeration Controls 0= Without Refrigeration Controls 1= Frostat 2= Crankcase Heater 3= Frostat and Crankcase Heater 4= High Pressure Control 5= High Pressure Control and Frostat 6= High Pressure and Crankcase Heater 7= High Pressure, Crankcase Heater, Frostat</p> | <p>Digit 27 Stainless Steel Drain pan 0= No stainless Drain pan 1= Stainless Steel Drain pan</p> | |
| <p>Digit 24 Smoke Detector 0= Without Smoke Detector A= Return Air Smoke Detector B= Supply Air Smoke Detector C= Return/Supply Air Smoke Detector</p> | <p>Digit 28 Short Circuit Current Rating (SCCR) 0= Standard A= 65kA</p> | |
| | <p>Digit 29,30 Reserved For Future 0= Standard</p> | |
| | <p>Digit 31 Unit Controls 0= Standard</p> | |

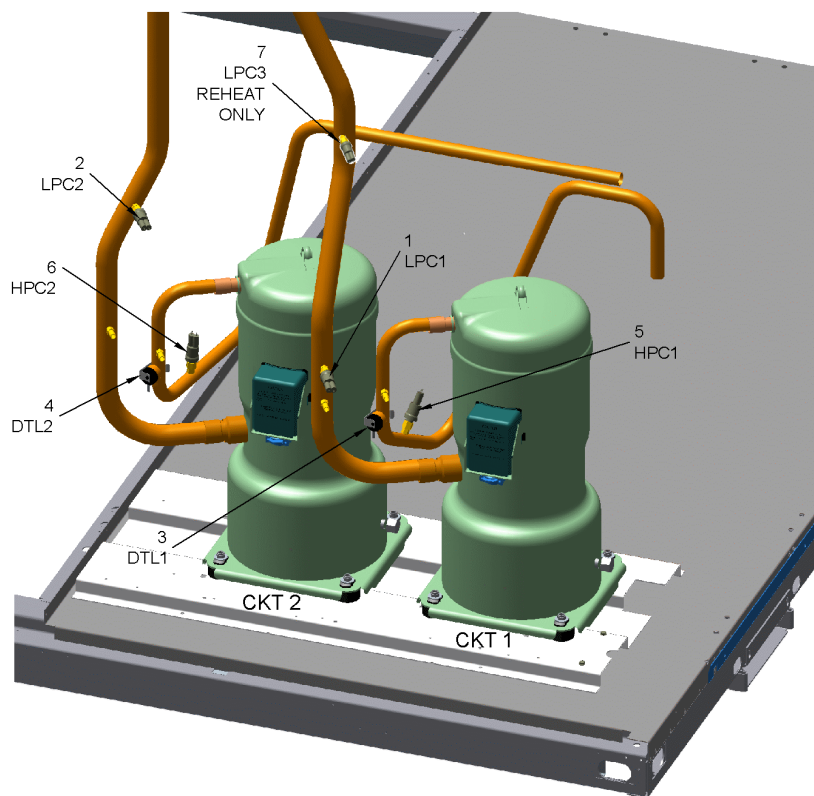
| Model Number Description | 75009901 | REV E |
|---|--|----------|
| Voyager 2 Digits 1-17 | | |
| Digit 1 Unit Type | Digit 12,13 Service Sequence | |
| Y= Gas/Electric T= Cooling W= Heat pump | Digit 14 Fresh Air Selection 0= No Fresh Air A= Manual damper D= Econ Dry Bulb w/ barometric relief F= Econ Reference Enthaply with barometric relief H= Econ Comparative Enthaply with barometric relief K= Low Leak Econ Dry Bulb with barometric relief M= Low Leak Econ Reference Enthalpy with barometric relief P= Low Leak Econ Comparative Enthalpy with barometric relief | |
| Digit 2 Efficiency S= Standard H= High Z= Ultra High | Digit 15 Supply Fan/Drive Type/Motor 0= Standard Drive 1= Oversized Motor 3= High Efficiency Belt Drive 6= Single Zone Variable Air Volume Standard 7= Two Speed Standard 8= Single Zone Variable Air Volume Oversized 9= Two Speed Oversized A= Single Zone Variable Air Volume Standard with Shaft Ground Ring B= Two Speed Standard w/ Shaft Ground Ring C= Single Zone Variable Air Volume Oversized with Shaft Ground Ring D= Two Speed Oversized w/ Shaft Ground Ring E= VAV Supply Air Temperature Control - Standard F= VAV Supply Air Temperature Control - Oversized G= VAV Supply Air Temperature Control - Standard w/ Shaft Ground Ring H= VAV Supply Air Temperature Control - Oversized w/ Shaft Ground Ring | |
| Digit 3 Airflow D= Downflow H= Horizontal | Digit 4,5,6 Unit Tonnage | |
| 150= 12.5 Ton 155= 15 Ton 50 hz 175= 17.5 Ton 50 hz 180= 15 Ton 200= 20 Ton 50 hz 210= 17.5 Ton 240= 20 Ton 250= 25 Ton 50 hz 300= 25 Ton | Digit 7 Major Design Sequence E= R-410a F= Micro-channel G= ASHRAE 90.1 | |
| Digit 8 Voltage Selection 3= 230/60/3 4= 460/60/3 D= 380-415/50/3 K= 380/60/3 T= 200/50/3 W= 575/60/3 | Digit 9 Unit Controls R= Reliatel | |
| Digit 10 Heating Capacity 0= No Heat G= 18 kW electric heat K= 27 kW electric heat N= 36 kW electric heat P= 54 kW electric heat R= 72 kW electric heat H= Gas Heat - High L= Gas Heat - Low V= Gas Heat - Modulating X= Gas Heat - SS Ht Ex - Low Z= Gas Heat - SS Ht Ex - High | Digit 16 Hinged Service Access / Filters 0= Standard panels/standard filters A= Hinged access/standard filters B= Standard panels/2" inch pleated filters C= Hinged access/2" inch pleated filters D= Standard panels/MERV 13 filters E= Hinged access/MERV 13 filters | |
| Digit 11 Minor Design Sequence A= Minor Des. Seq. | Digit 17 Condenser Coil Protection 0= Standard coil 1= Standard coil with hail guard 2= Epoxy Coated Condenser Coil 3= Epoxy Coated Condenser Coil and Hail Guard 4= ECoated Coil 5= ECoated Coil with Hail Guard | |



REFRIGERATION CIRCUIT CONTROLS

75009944

REV
B



This is a typical illustration. The unit in the field may not appear exactly as shown.

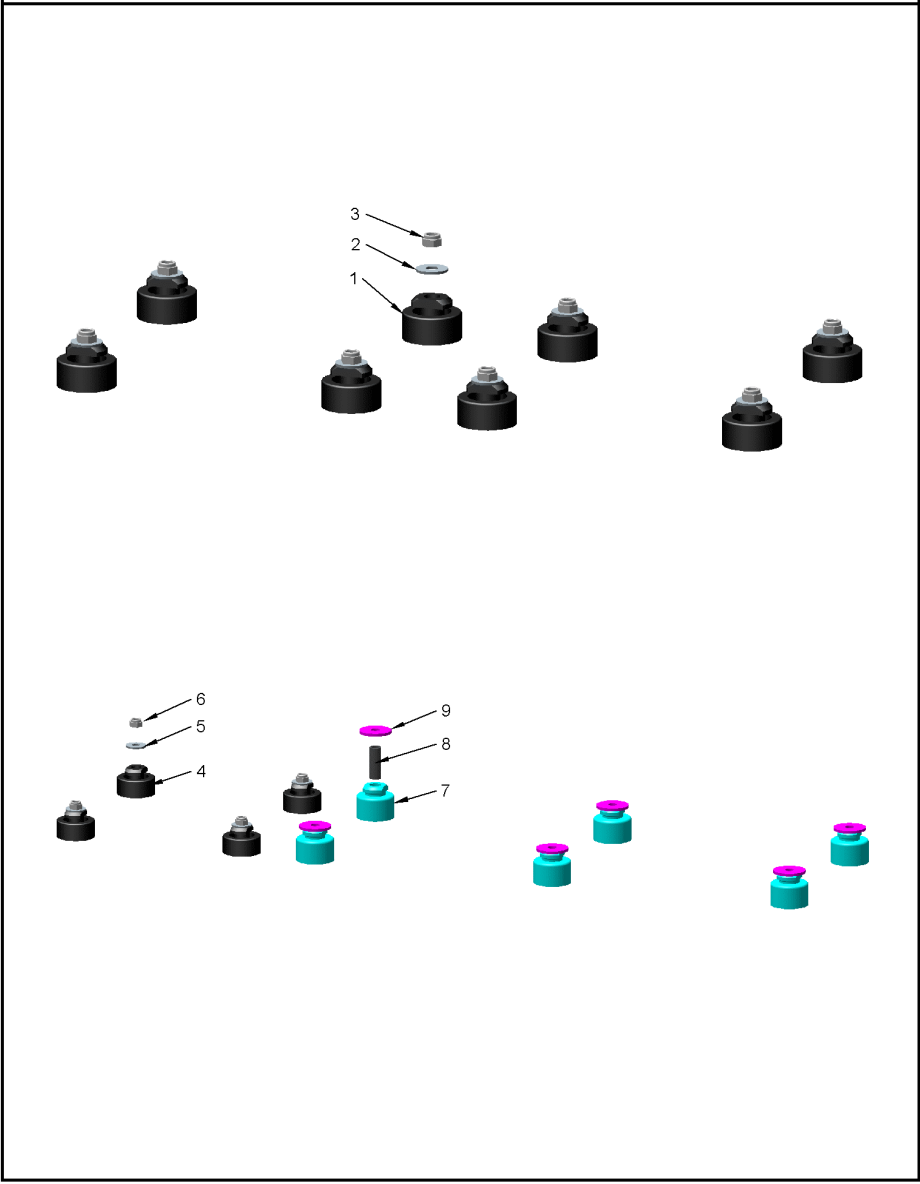
| Part No. | Reference No. | Quantity | Description |
|----------|---------------|----------|---|
| CNT04959 | 1 | 1 | CONTROL; LOW PRESSURE, CLOSE ON RISE 41 PSIG, OPEN ON FALL 25 PSIG, 6.0 FLA, 36 LRA AT 120/240 VAC, BLUE LEADS |
| CNT04961 | 2 | 1 | CONTROL, LOW PRESSURE, 25 OPEN, 41 CLOSE, .25 FFL, 55.00 LEADS WITH 1/4 INSUL., FEMALE QC TERMINAL |
| THT02762 | 3 | 1 | THERMOSTAT; WITH CLIP, .875 TUBE, 72" BLACK WIRES, SPST, 230F OPEN, 180F CLOSE |
| THT02761 | 4 | 1 | THERMOSTAT; WITH CLIP, .5/.625 TUBE, 72" RED WIRES, SPST, 230F OPEN, 180F CLOSE |
| CNT04958 | 5 | 1 | CONTROL; HIGH PRESSURE CUTOUT, ACTUATION PRESSURE 650 PSIG, DEACTUATION PRESSURE 550 PSIG, 6.0 FLA, 36 LRA AT 120/240 VAC, 72 IN LEADS WITH FEMALE 1/4 QC |
| CNT04960 | 6 | 1 | CONTROL; HIGH PRESSURE, 650 OPEN, 550 CLOSE, .25 FFL W/DEFLATOR, 72.00 RED LEADS WITH 1/4 FEMALE AND MALE QC-BLACK. |

COMPRESSOR MOUNTING HARDWARE

75010913

REV.
A

VOYAGER 2
TYPICAL ILLUSTRATION

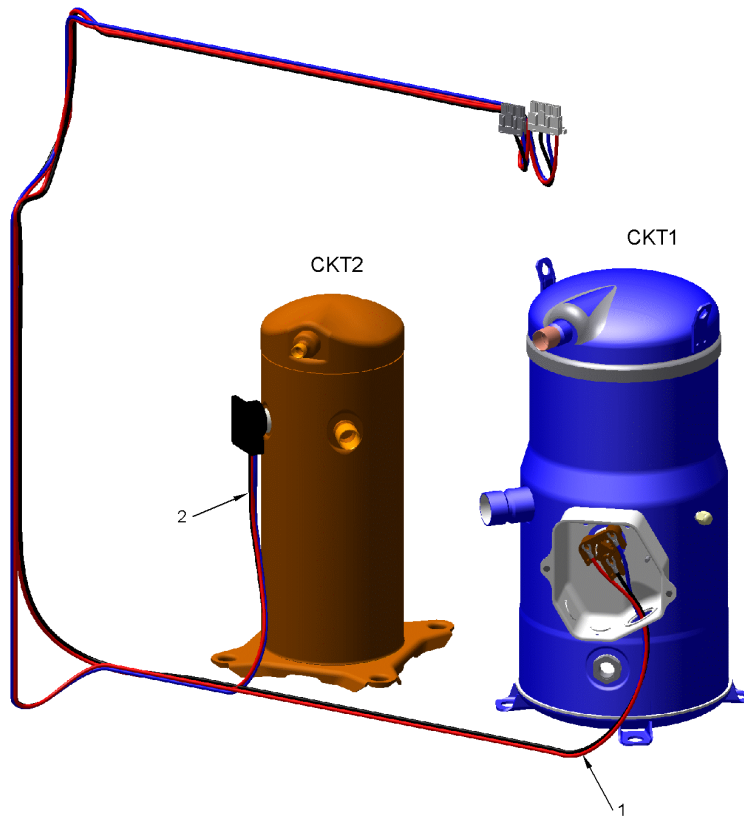


| Part No. | Reference No. | Quantity | Description |
|-----------------|----------------------|-----------------|---|
| GRM00888 | 1 | 8 | GROMMET; ISOLATOR, COMPRESSOR, .438 ID X .160 GRV, .750 DIA X 1.625 OD, BLACK NEOPRENE RUBBER |
| NUT00355 | 3 | 8 | NUT; HEX, LOCK, 5/16IN.-18 |

COMPRESSOR POWER HARNESSES

75011760

REV
A



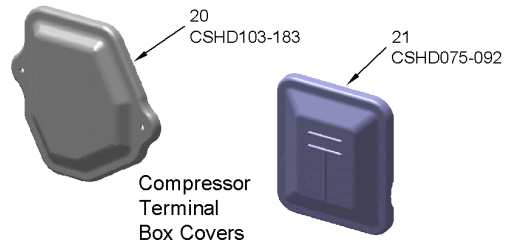
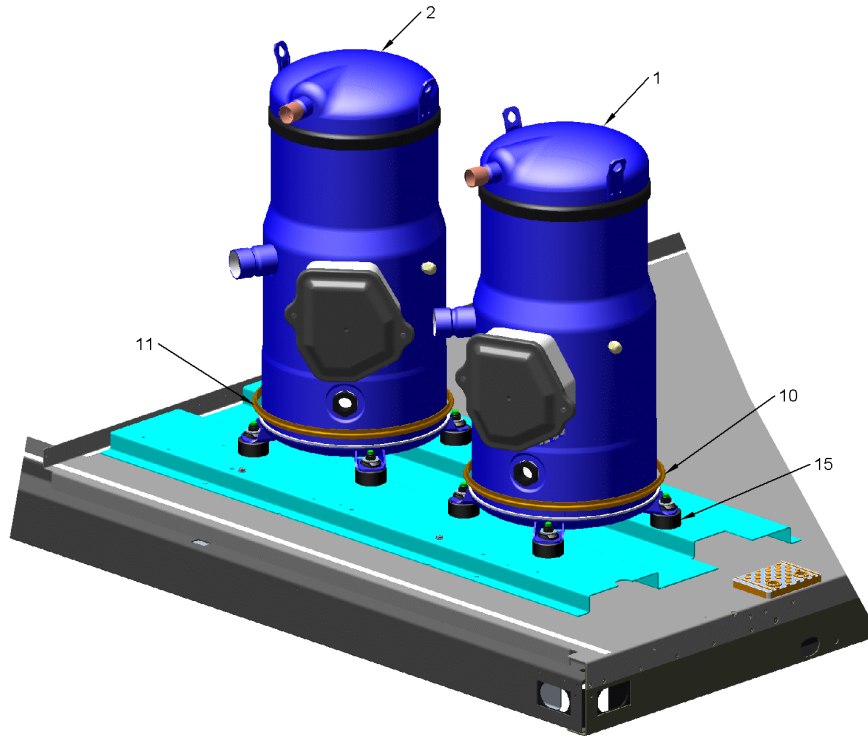
This is a typical illustration. The unit in the field may not appear exactly as shown.

| Part No. | Reference No. | Quantity | Description |
|-----------------|----------------------|-----------------|---|
| WIR08285 | 2 | 1 | WIRE; HARNESS, COMPRESSOR POWER - CIRCUIT 2 |

COMPRESSORS
AND CRANKCASE HEATERS

75009908

REV
B



This is a typical illustration. The unit in the field may not appear exactly as shown.

Parts List Number :VOY2UP1

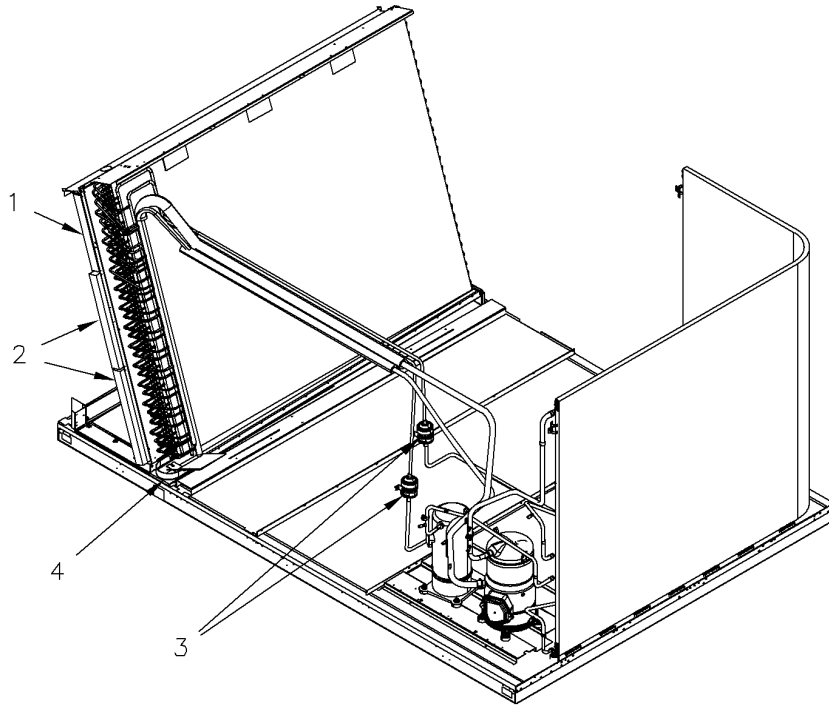
Model Number :TSD240F4R0A000

| Part No. | Reference No. | Quantity | Description |
|-----------------|----------------------|-----------------|---|
| HTR15172 | 10 | 1 | HEATER; CRANKCASE, 90 WATTS, 460 VOLTS |
| HTR15359 | 11 | 1 | HEATER; CRANKCASE, 70W 460V 6.63 DIA |
| GRM00888 | 15 | 8 | GROMMET; ISOLATOR, COMPRESSOR, .438 ID X .160 GRV, .750 DIA X 1.625 OD, BLACK NEOPRENE RUBBER |
| COV04174 | 20 | 0 | COVER; TERMINAL BOX, R410A, LIQUID TIGHT |
| KIT16237 | 21 | 0 | KIT; COMPRESSOR COMPONENTS - INCLUDES COVER, TERMINAL BLOCK AND CLIP |

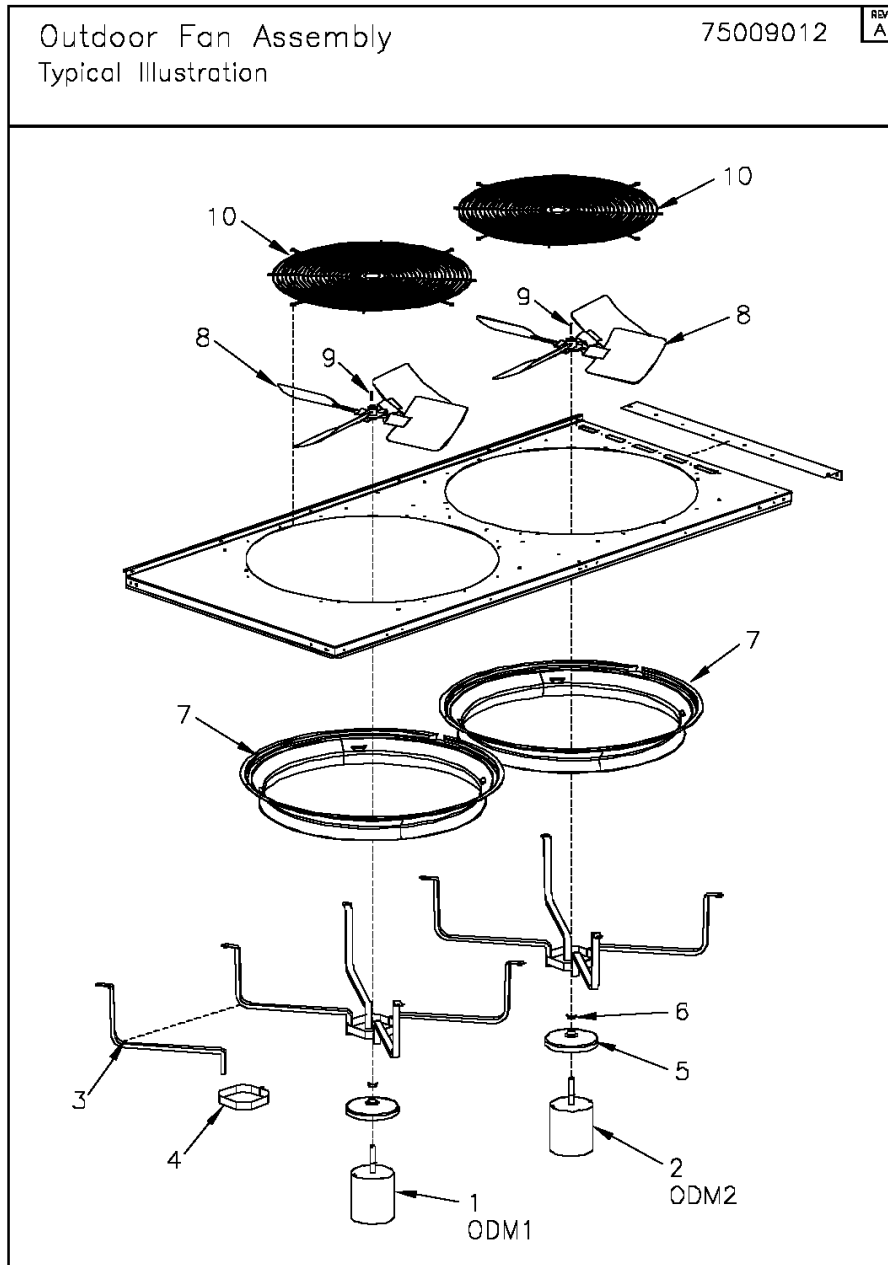
FILTERS AND DRAIN PANS

75009909

REV
A



| Part No. | Reference No. | Quantity | Description |
|-----------------|----------------------|-----------------|--|
| TOL04139 | * | 2 | TOOL; FILTER REMOVAL |
| DHY01470 | 3 | 2 | DRIER; LIQUID LINE; SERVICE FIRST; 16 CU. IN. DCL165/4S, 5/8 ODF INLET X 1/2 ODF OUTLET; 11.4 TON CAPACITY; APPROVED FOR MINERAL OIL AND POE OIL REF |

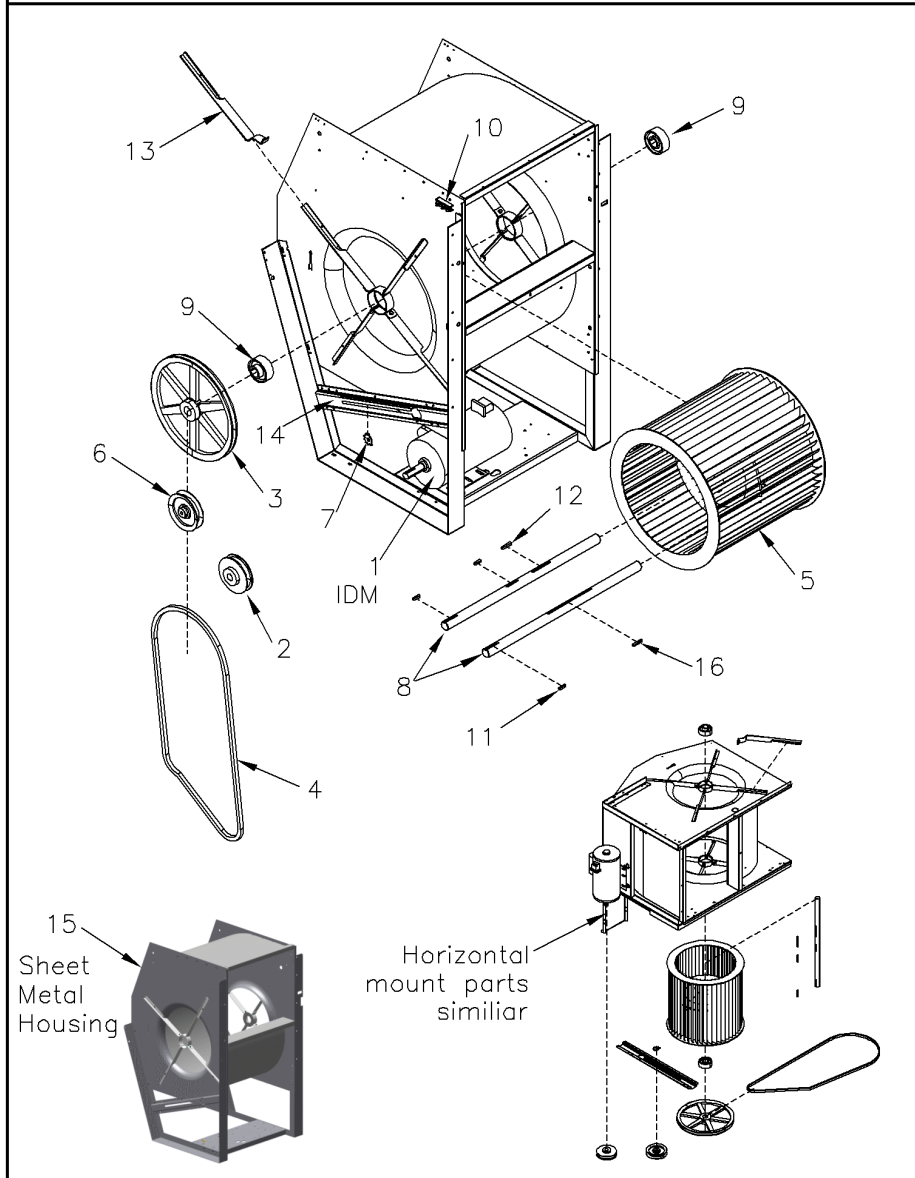


| Part No. | Reference No. | Quantity | Description |
|----------|---------------|----------|--|
| MOT09190 | 1 | 1 | MOTOR; .75/1.0 HP, 380-415-460/50-60/1, 950/1125 RPM, 48 FRAME, BB, CCW, 1.9/2.5 FLA, 5.8 LRA, 25MFD AT 440 VAC. |
| MOT09192 | 2 | 1 | MOTOR; .75/1.0 HP, 380-415-460/50-60/1, 950/1125 RPM, 48 FRAME, BB, CCW, 2.5/2.9 FLA, 5.8 LRA, 25MFD AT 440 VAC. WITHOUT SLINGER |
| BRK01632 | 3 | 8 | BRACKET;MOTOR MOUNT, 13.77 LEG |
| BRK01160 | 4 | 2 | BRACKET, MOTOR MOUNT |
| SLG00123 | 5 | 2 | SLINGER; MOTOR COVER, 7.00 DIA X 1.84 DEEP, FOR USE WITH 5/8 INCH MOTOR SHAFT |
| CMP00842 | 6 | 2 | CLAMP; HOSE .88 NOM. ID DIA, SELF-TIGHTENING. |
| ORF00575 | 7 | 2 | ORIFICE;O.D. FAN |
| FAN02778 | 8 | 2 | FAN; 4 BLADE, ALUM, 26 IN DIA, 32 DEGREE PITCH, CW, .625 BORE |
| KEY00820 | 9 | 2 | KEY; .187 SQ X 1.26 LG, LOW CARBON CD STEEL |
| GRD00450 | 10 | 2 | GUARD; FAN, 27.5 DIA |

Indoor Fan Assembly
Downflow detail shown

75009952

REV
D

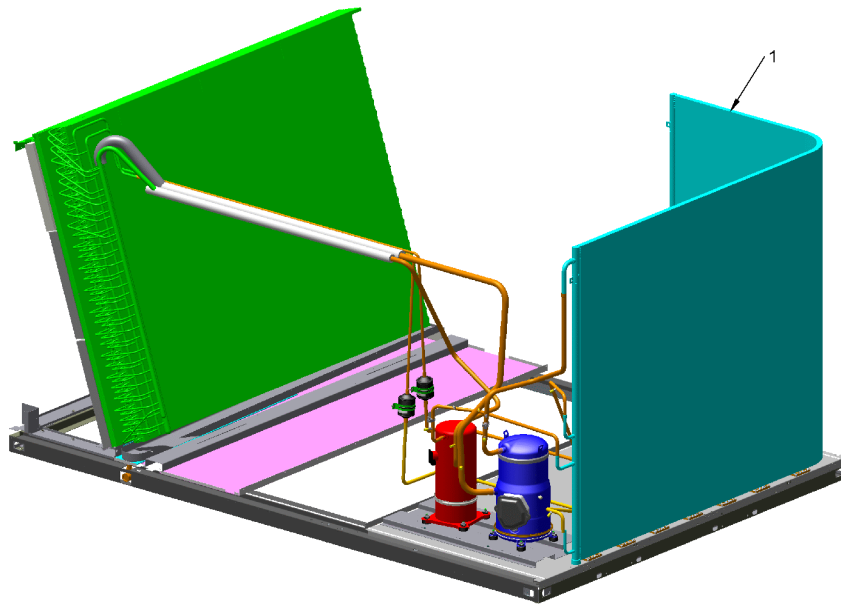


| Part No. | Reference No. | Quantity | Description |
|-----------------|----------------------|-----------------|---|
| WHL00626 | 5 | 1 | WHEEL; FAN, STEEL, 18 DIA X 18 LG, 1.188 BORE, BELT |
| SHE01565 | 6 | 1 | SHEAVE; STEEL IDLER, V-BELT, 3/8 |
| GER00321 | 7 | 1 | GEAR; IDLER |
| SHF01505 | 8 | 1 | SHAFT; FAN, 1 3/16 DIA X 25.968 LG |
| BRG00870 | 9 | 2 | BEARING, 1.19 BORE, 3.09 OD X 1.19 WIDE |
| KEY00300 | 11 | 1 | KEY; 1/4 IN X 1/4 IN X 1-1/2 IN |
| KEY00299 | 12 | 2 | KEY; 1/4 IN X 1/4 IN X 1 IN |
| BRK01162 | 13 | 8 | BRACKET; BEARING ARM |
| SUP04426 | 14 | 1 | SUPPORT; IDLER |

OUTDOOR CONDENSER COIL

75009910

REV
C

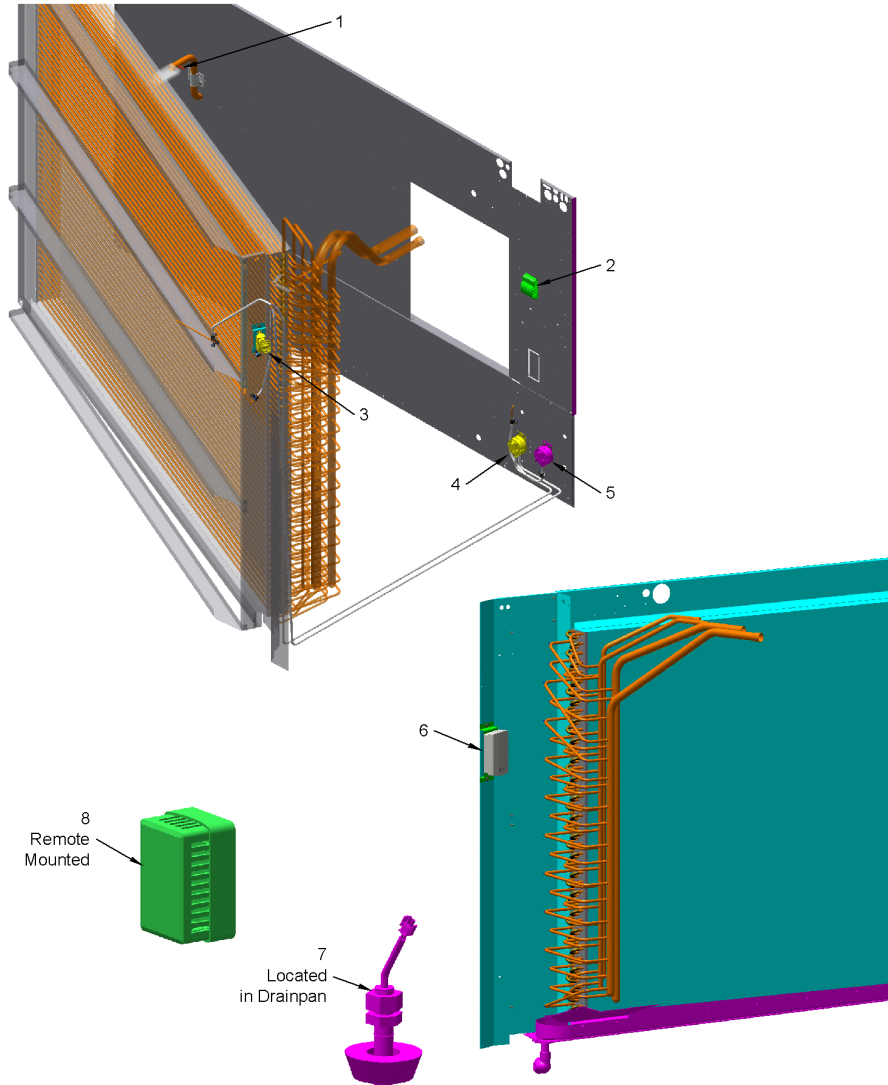


This is a typical illustration. The unit in the field may not appear exactly as shown.

UNIT SENSORS

75009958

REV
B



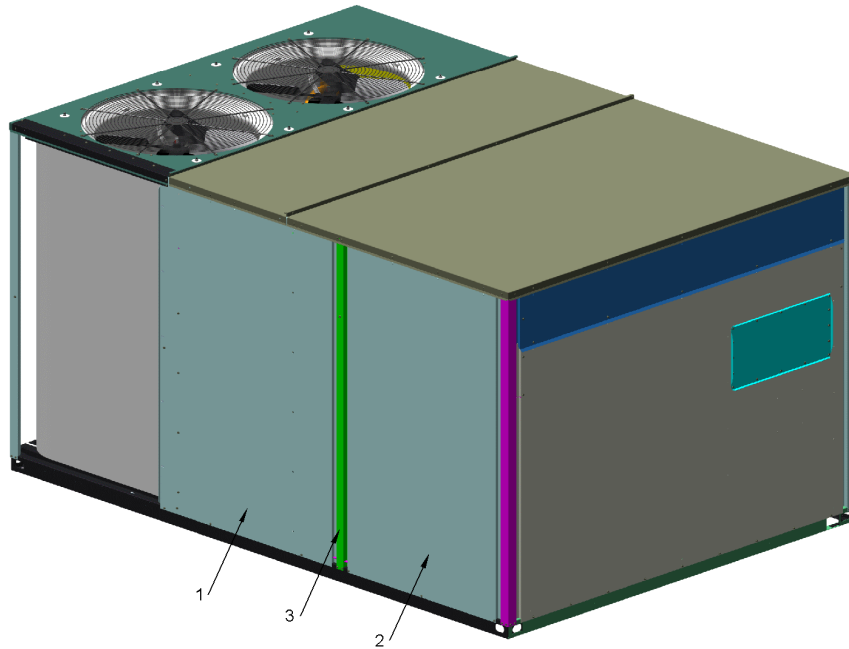
This is a typical illustration. The unit in the field may not appear exactly as shown.

| Part No. | Reference No. | Quantity | Description |
|-----------------|----------------------|-----------------|-------------------------------------|
| CNT06848 | 3 | 1 | CONTROL; DEFROST W / CAPILLARY, 50" |

AIR FLOW PANELS

75012744

REV.
A



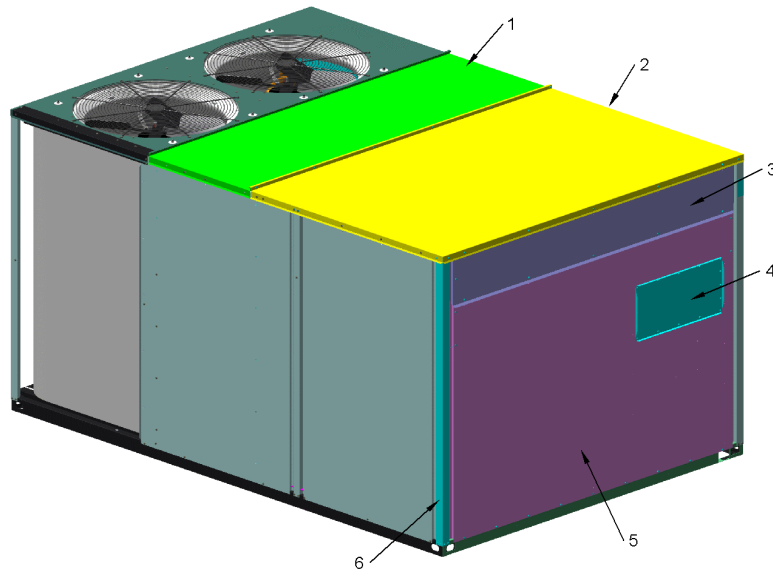
This is a typical illustration. The unit in the field may not appear exactly as shown.

| Part No. | Reference No. | Quantity | Description |
|-----------------|----------------------|-----------------|---------------------------|
| PNL29933 | 1 | 1 | PANEL; REAR DF ASSY |
| PNN01154 | 2 | 1 | PANEL; REAR, ASSEMBLY |
| SUP01489 | 3 | 1 | SUPPORT;RIGHT HAT SECTION |

COMM PANELS
DOWNFLOW

75012749

REV.
A



This is a typical illustration. The unit in the field may not appear exactly as shown.

| Part No. | Reference No. | Quantity | Description |
|-----------------|----------------------|-----------------|--|
| COV01384 | 1 | 1 | COVER, TOP HEAT SECTION ASSEMBLY |
| COV01383 | 2 | 1 | COVER, ID SECTION TOP ASSEMBLY |
| COV01353 | 4 | 1 | COVER, MANUAL FRESH AIR, 24.42 X 11.71 |
| PNN01155 | 5 | 1 | PANEL; ECONOMIZER, END ASSEMBLY |
| SUP01488 | 6 | 1 | SUPPORT;CORNER POST REAR ASSEMBLY |

VOYAGER

75012144

REV.
A

OPTIONAL FIELD INSTALLED ACCESSORIES

ACCESSORY TYPE

| | |
|---|------------------------------------|
| ECON = Economizer | ISLT = Isolator |
| ASCT = Anti-Cycle Timer | KSKT = Start Accessory Kit |
| BARM = Barometric Relief | LEGS = Snow Legs |
| BASE = Base | LIFT = Roof Mount Kit |
| BURN = Burner | LOAM = Low Ambient |
| CTHI = Board-Convention Interface | LPKT = L.P. Kit |
| CURB = Roofcurb | MOTR = Low Ambient Motor Kit |
| CCHT = Crankcase Heater | NXKT = No Oxide Kit |
| DFSR = Air Diffuser | PLNM = Plenum |
| DMPR = SS Damper | PLUS = Plus One Kit |
| DNKT = Downflow Kit | PSMN = Power Supply Monitor Kit |
| FCCV = Flow Control Check Valve | PWRX = Power Exhaust |
| FLSW = Flow Switch | QACB = Quick Adapt Curb |
| FLTR = Filter | RLAY = Relay |
| FRST = High Temperature Sensor | SENS = Sensor |
| GARD = Coil Guard | SPEK = Single Source Power Entry |
| HALT = High Altitude Kit | STAT = Thermostat |
| HSDR = Optimized Sheave Accessory | STMT = Elapsed Time Meter |
| HSMT = Oversized Motor Kit or High Static Motor | TBKT = Thru Base Utility Kit |
| HTR = Electric Heater (Digit 7 is used to differentiate the products accessory is used with) | TEST = Test Accessory |
| ICSI = Board Communication Interface | TIME = ICS Interface Kit |
| | TXVA = Thermal Expansion Valve Kit |
| | TXVH = Thermal Expansion Valve Kit |
| | VDPR = Vent Damper |
| | WATR = Hot Water or Steam Coil |
| | 2STG = 2 Stage Gas |

**When identifying accessories please
refer to WAVE94591.**

