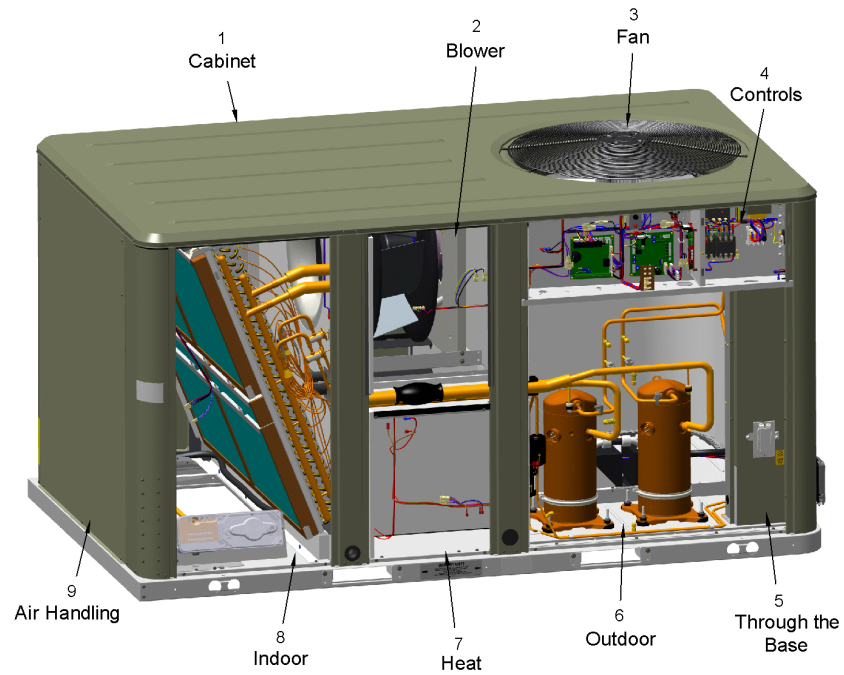


PACKAGED COOLING

75012636

RP  
A

The sections that appear on this illustration are for all options.  
Sections and options will appear in the Parts List if factory installed



This is a typical illustration. The unit in the field may not appear exactly as shown.

Parts List Number :TSCUP11

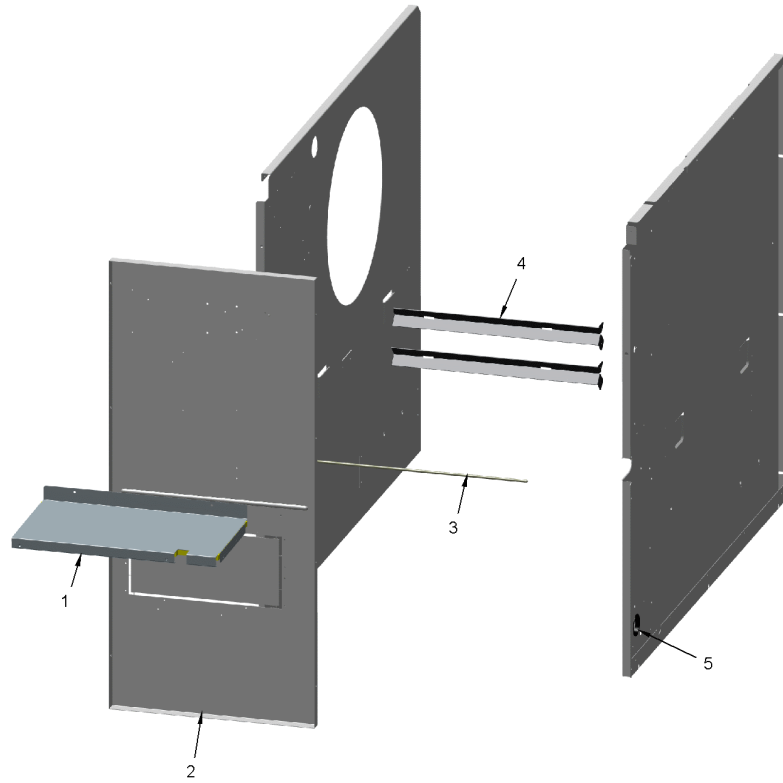
Model Number :TSC120HWE0A001S

<b>Part No.</b>	<b>Reference No.</b>	<b>Quantity</b>	<b>Description</b>
75012458	1		INTERIOR SHEET METAL
75011721	1		UNIT BASE COMPONENTS
75012242	2		BLOWER - INDOOR, PLENUM FAN
75012613	3		FAN
75012740	4		CONTROL PANEL
75012827	4		HARNESS - IDM ADAPTER 575V
75012488	5		THROUGH THE BASE ELECTRIC
75012666	6		OUTDOOR COIL, COMPRESSORS
75012667	8		INDOOR COIL, FILTERS, DRAIN PAN
NGRAPHIC	10		OPTIONAL FIELD INSTALLED ACCESSORIES
75012766	11		MODEL NUMBER DESCRIPTION, DIGITS 1-16
75012767	11		MODEL NUMBER DESCRIPTION, DIGITS 17-31

INTERIOR SHEET METAL

75012458

RP  
A



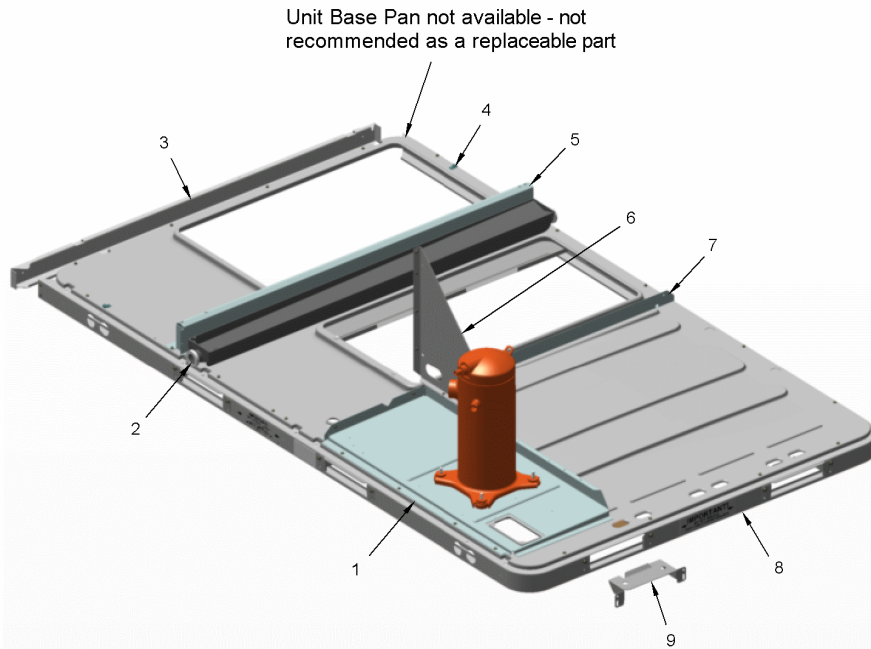
This is a typical illustration. The unit in the field may not appear exactly as shown.

<b>Part No.</b>	<b>Reference No.</b>	<b>Quantity</b>	<b>Description</b>
PNL26809	1	1	PANEL; TOP WRAPPER, HEAT, 19.36 X 10.41
PNL26795	2	1	PANEL; ELECTRIC HEAT, CONTROLS AND ELEMENT MTG, 43.40 X 19.52
ROD01137	3	1	ROD; SUPPORT, 20 INCHES
BRK04552	4	2	BRACKET; ELECTRIC HEAT SUPPORT
BUS00338	5	1	BUSHING; SNAP, 2.00 INCH OD X 1.63 ID, MAX PANEL THICKNESS 0.125, BLACK NYLON

UNIT BASE COMPONENTS

75011721

REV.  
A



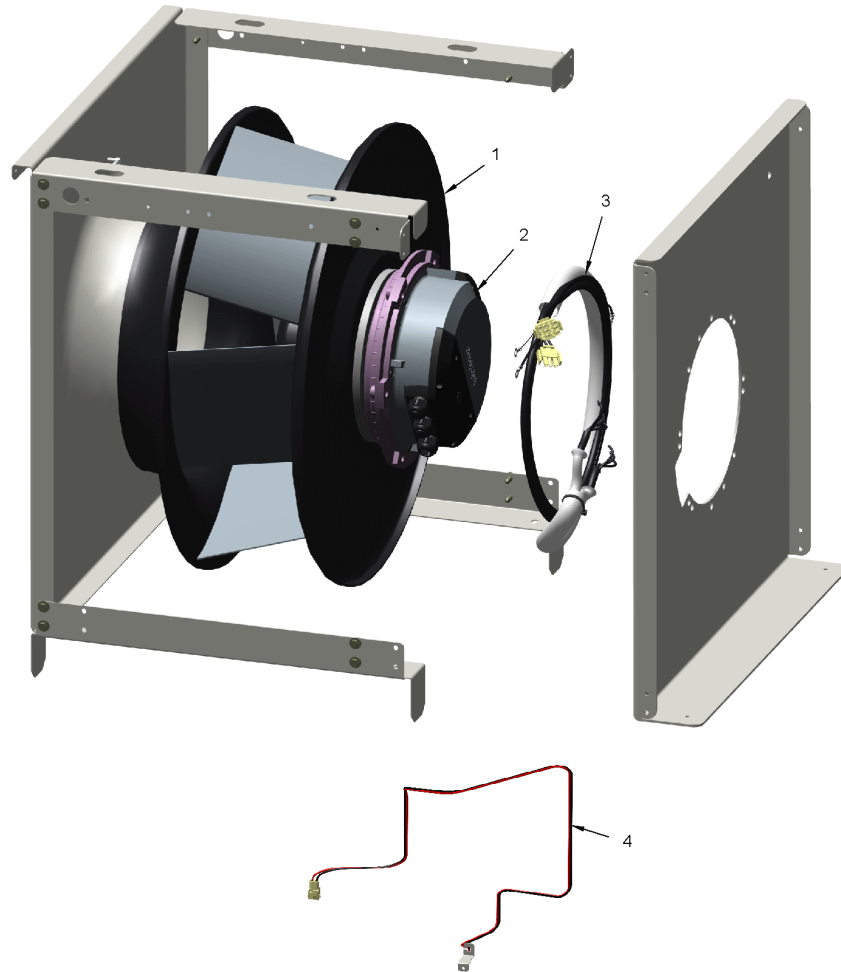
This is a typical illustration. The unit in the field may not appear exactly as shown.

<b>Part No.</b>	<b>Reference No.</b>	<b>Quantity</b>	<b>Description</b>
PLT03619	1	1	PLATE; MOUNTING, COMPRESSOR, 34.56 X 14.30
RAL00878	3	1	RAIL; END, 53 IN LENGTH
CLP01008	4	2	NO DESCRIPTION AVAILABLE
SUP04486	5	1	SUPPORT; INDOOR COIL, 51.6 INCH LENGTH
BRK03275	6	1	BRACKET; COMPRESSOR SUPPORT (3 SIDES)
ANG01324	7	1	ANGLE; TOGGLE LOCK, 51.00 X 1.80
RAL01211	8	1	RAIL; BASE, C/D CABINET
BRK03274	9	4	BRACKET; BASE SUPPORT MOUNT, 10.3 LENGTH (FORKLIFT BRACKET)

BLOWER - INDOOR, PLENUM FAN

75012242

REV.  
A



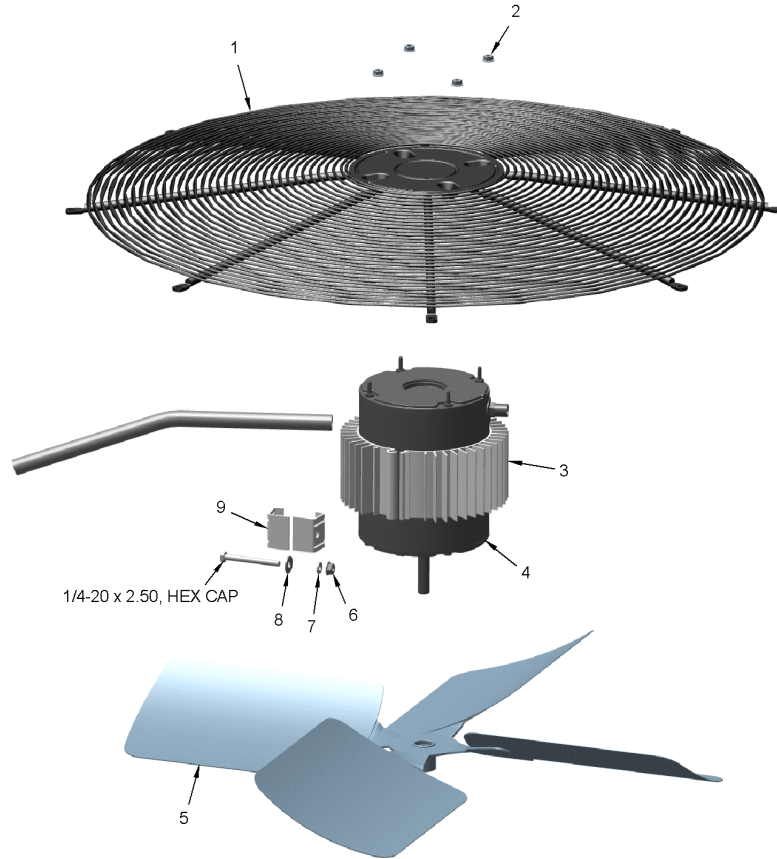
This is a typical illustration. The unit in the field may not appear exactly as shown.

Part No.	Reference No.	Quantity	Description
SCR01421	*	6	SCREW; M10 X 25
SCR01557	*	16	SCREW; SHEET METAL 0.25-14 X 0.62, HEX HEAD, SLATE GRAY COLOR
WAS00622	*	6	WASHER;10MM ID X 18.1 OD
FAN05496	1	1	FAN; ASSEMBLY; INDOOR PLENUM FAN; 380-480V
MOD02789	2	1	MODULE; ELECTRONICS, ATTACHES TO EBM MOTOR ASSEMBLY, 460V, INCLUDES WIR05194
CON00105	3	1	CONNECTOR; HOUSING; 12 CKT SOCKET HSG MALE
CON00486	3	1	CONNECTOR; PLUG HOUSING, 3 PIN MALE
WIR05194	3	1	WIRE; HARNESS, INDOOR FAN MOTOR (1Z,2S,3S,GND,37B,39B,40B,41B,45B,108C,158E)
WIR08703	4	1	WIRE; HARNESS, LED, WITH BRACKET

FAN - OUTDOOR

75012613

RP  
A



This is a typical illustration. The unit in the field may not appear exactly as shown.

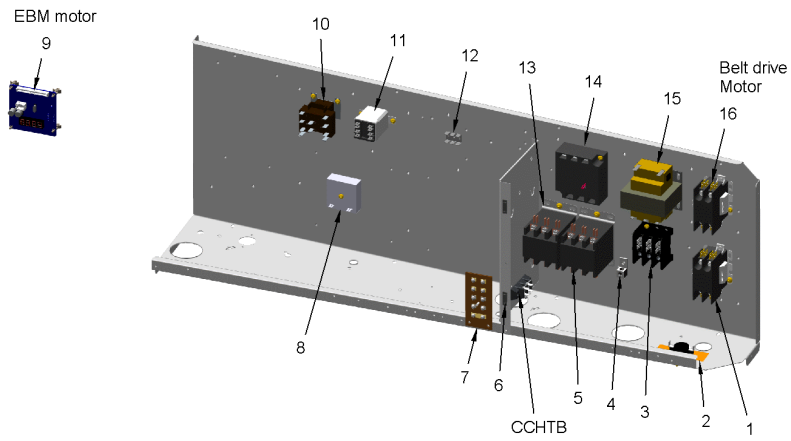
Part No.	Reference No.	Quantity	Description
GRL01353	1	1	GRILLE; OUTDOOR FAN, 30.33 MTG DIA
NUT01332	2	4	NUT; SERRATED HEX FLANGE, ZINC PLATED (IF RUBBER CAP IS NEEDED ORDER IRT00017)
RNG01005	3	2	RING; EXTRUDED FIN, HEAT SINK, 3.00 WIDE, UNRESTRAINED DIM IS 7.20/6.61
MOT18649	4	1	MOTOR; AL OD MOTOR, 3 PHASE 0.7 HP, 575V
FAN06091	5	1	FAN; BLADE, OD FAN - 26X4XH28/L30 - DUAL SET-SCREW
NUT00009	6	1	NUT; .25-20, HEX LOCK
WAS00670	7	1	WASHER; .26 ID X .49 OD
WAS00041	8	1	WASHER; FLAT, PLAIN, #12 .25 ID X .56 OD, .065 THK, CARBON STL-PLD
BRK00688	9	2	BRACKET; CONNECTING, HEAT SINK

CONTROL PANEL

75012740

RP  
A

The parts that appear on this illustration are for all options.  
Parts will appear in the Parts List if factory installed.



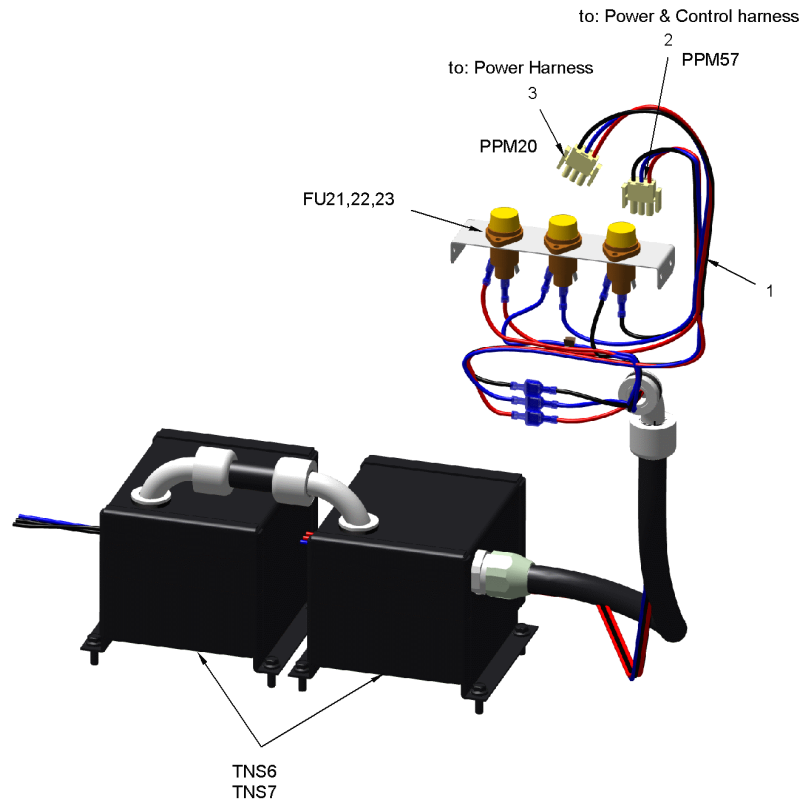
This is a typical illustration. The unit in the field may not appear exactly as shown.

Part No.	Reference No.	Quantity	Description
WIR09226	*	1	WIRE; HARNESS; CONTROLS, ELECTROMECHANICAL, INCLUDES TER01594-LTB & TER01680-GTB. TO IDM
WIR09239	*	1	WIRE; HARNESS; C/D CAB, PWR, DUAL COMP, W/ INDOOR MOTOR XFMR, INCLUDES CCHTB
CTR01203	1	1	CONTACTOR; 2P, 30A, 24V COIL, 30 FLA AT 277V
CNT01405	2	1	CONTROL; TEMP, OPEN 65F, CLOSE 55F, SPST
CON00077	4	1	CONNECTOR, ELECTRIC GROUND, 14-2 AWG SOLDERLESS
WAS00611	4	1	WASHER;LOCK, .19 ID X .39 OD
CTR01870	5	1	CONTACTOR; 3 POLE, 30 FLA, W/O LUGS, 50/60 HZ, 24V COIL
CAT00043	6	2	CATCH; MAGNETIC SNAP-IN
TER01594	7	1	TERMINAL; STRIP, LTB, INCLUDES CO2 & ESTOP CONNECTORS
MOD02127	9	1	MODULE; ECM ENGINE
RLY01040	10	1	RELAY; SPDT, 120/208/240/277/480/600V, QUICK CONNECT TERM., 24V COIL
TER01680	12	1	TERMINAL STRIP; .25IN. FASTON
CNT05176	14	1	CONTROL; MONITOR, 3-PHASE LINE, UNIVERSAL 180-632 VAC, PHASE AND LOSS REVERSAL
TRR00826	15	1	TRANSFORMER; 75 VA, 460-575V PRI, 24V SEC

HARNESS - IDM ADAPTER 575V

75012827

RP  
A



This is a typical illustration. The unit in the field may not appear exactly as shown.

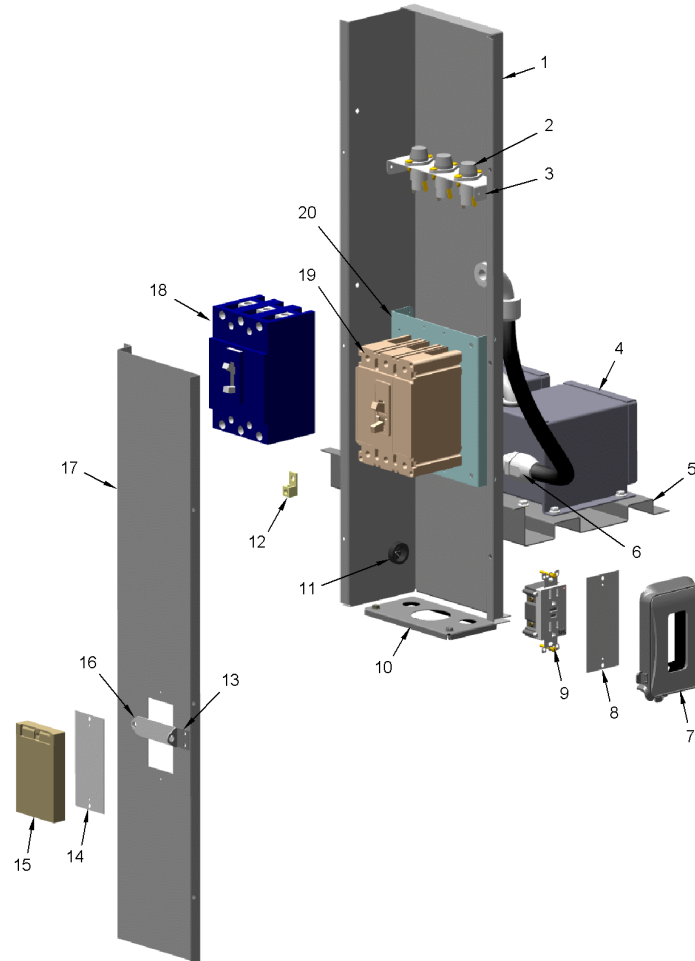
<b>Part No.</b>	<b>Reference No.</b>	<b>Quantity</b>	<b>Description</b>
WIR09245	1	1	WIRE; HARNESS; IDM XFMR ADAPTER, 3 PHASE MOTORS
CON00486	2	1	CONNECTOR; PLUG HOUSING, 3 PIN MALE
CON00486	3	1	CONNECTOR; PLUG HOUSING, 3 PIN MALE

THROUGH THE BASE ELECTRIC

75012488

RP  
A

The parts that appear on this illustration are for all options.  
Parts will appear in the Parts List if factory installed.



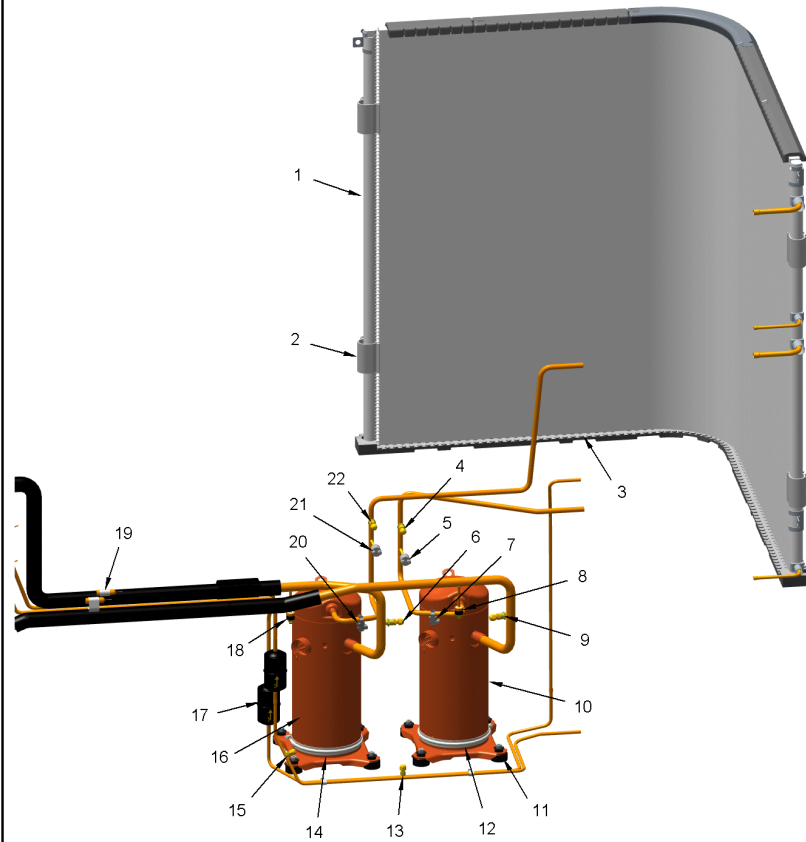
This is a typical illustration. The unit in the field may not appear exactly as shown.

Part No.	Reference No.	Quantity	Description
PNL26820	1	1	PANEL; TBUE ENCLOSURE, 30.29H X 7.71 X 4.5
FUS01303	2	3	FUSE; 600V, CLASS CC, 7.0 AMP, TIME DELAY
HLD00159	2	3	HOLDER; FUSE
BRK03708	3	1	BRACKET; TRANSFORMER FUSE HOLDER, 6.51 X 1.80
TRR02230	4	2	TRANSFORMER; SEALED, .5 KVA PRIMARY: 575 VAC, SECONDARY: 460 VAC
MNT02194	5	1	MOUNT; TRANSFORMER, TBUE, 14.43 X 10.33
CON00490	6	1	CONNECTOR; 0.50 NOM STR
PNL14763	10	1	PANEL; CONDUIT CONNECTION PLATE, TBUE, 6.41 X 3.33
BUS00465	11	1	BUSHING; SNAP, BLACK UNIVERSAL, 1.093 MOUNTING HOLE
CON00077	12	1	CONNECTOR, ELECTRIC GROUND, 14-2 AWG SOLDERLESS
PNL14759	17	1	PANEL; TBUE ENCLOSURE, FRONT, 30.40 X 6.80
PNL14755	20	1	PANEL; MOUNTING, CIRCUIT BREAKER, 7.75 X 6.51 X 1.34

REFRIGERATION  
OD COIL, COMPRESSORS

75012666

RP  
A



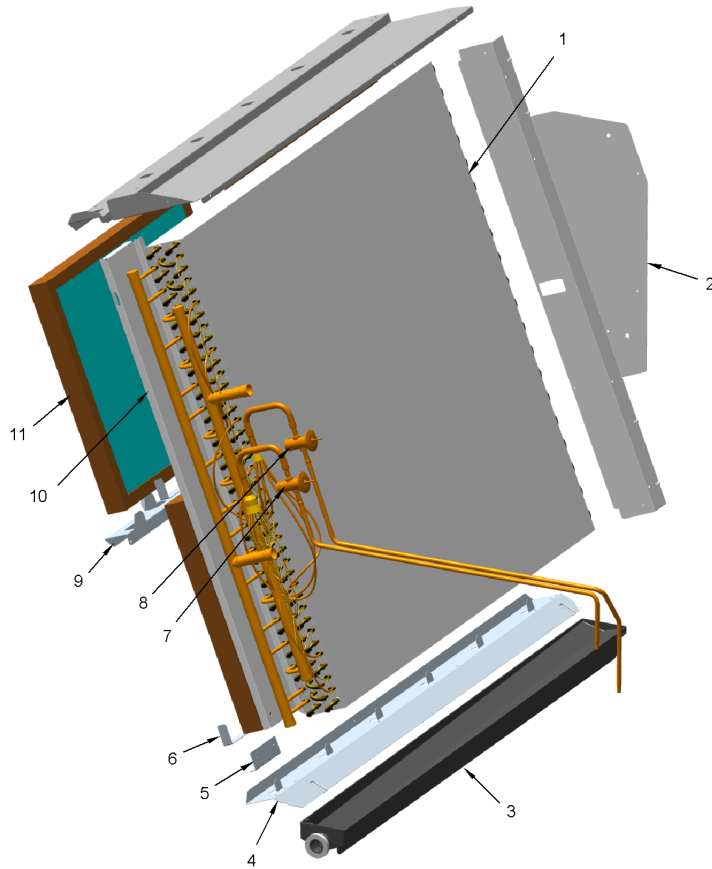
This is a typical illustration. The unit in the field may not appear exactly as shown.

Part No.	Reference No.	Quantity	Description
WIR03437	*	1	WIRE; HARNESS, COMPRESSOR, 14 AWG, CC1, 46 IN LENGTH (3 WIRE-RK,BL,BK)
WIR03439	*	1	WIRE; HARNESS, COMPRESSOR, 14 AWG, CC2, 62 IN LENGTH (3 WIRE-RK,BL,BK)
RTR00990	2	4	CLIP; MICROCHANNEL COIL MOUNTING
SUP06051	3	1	SUPPORT; REAR, BETWEEN UNIT BASE AND COIL, POLYPROPYLENE, 24.96 X 2.83
CAP00072	4	1	CAP; VALVE, SEAL, .25 FFL
SET00819	4	1	SEAT; SADDLE MOUNT ASSEMBLY
STM00803	4	1	STEM; SADDLE MOUNT, VALVE CORE, BRASS, .344 DIA X 1.29 SCHRAEDER TYPE FITTING (TO INCLUDE 5 PIECES)
SWT03402	5	1	SWITCH; HIGH PRESSURE, BRAZED, OPENS AT 650 PSIG, CLOSES AT 550 PSIG, 61 INCH WHITE LEADS
CAP00072	6	1	CAP; VALVE, SEAL, .25 FFL
SET00819	6	1	SEAT; SADDLE MOUNT ASSEMBLY
STM00803	6	1	STEM; SADDLE MOUNT, VALVE CORE, BRASS, .344 DIA X 1.29 SCHRAEDER TYPE FITTING (TO INCLUDE 5 PIECES)
THT02760	7	1	THERMOSTAT; WITH CLIP, .5/.625 TUBE, 72" BLACK WIRES, SPST, 230F OPEN, 180F CLOSE
SWT03623	8	1	SWITCH; LOW PRESSURE CUTOFF, 250 OPEN, ACTUATION PRESSURE 55 +/- 5, RESET PRESSURE 35 +/- 5
WIR04406	8	1	WIRE; HARNESS, LOW PRESSURE SWITCH, 42 IN LENGTH, BLUE WIRES, CIR 1
CAP00072	9	1	CAP; VALVE, SEAL, .25 FFL
SET00819	9	1	SEAT; SADDLE MOUNT ASSEMBLY
STM00803	9	1	STEM; SADDLE MOUNT, VALVE CORE, BRASS, .344 DIA X 1.29 SCHRAEDER TYPE FITTING (TO INCLUDE 5 PIECES)
COM10214	10	1	COMPRESSOR; SCROLL, SXA061B7BPZ, 5.0 TON, 575/60/3, R410A
ISR00007	11	8	ISOLATOR; VIBRATION
NUT00355	11	8	NUT; HEX, LOCK, 5/16IN.-18
HTR06512	12	1	HEATER; CRANKCASE, 70W, 575V (56W AT 460V), 6.5 DIA, 65/46 IN LEAD LENGTHS
CAP00072	13	1	CAP; VALVE, SEAL, .25 FFL
COR00006	13	1	CORE; VALVE PORT, .79 LENGTH, .206-36 UNS 2A THD
VAL01483	13	1	VALVE; BODY, .44-20 THD X .25 ODS, STRAIGHT, BRASS, LESS CORE
HTR03909	14	1	HEATER; CRANKCASE, 40W, 575V, 6.5 DIA, 70 IN LEAD LENGTHS (32W AT 460V)
CAP00072	15	1	CAP; VALVE, SEAL, .25 FFL
COR00006	15	1	CORE; VALVE PORT, .79 LENGTH, .206-36 UNS 2A THD
VAL01483	15	1	VALVE; BODY, .44-20 THD X .25 ODS, STRAIGHT, BRASS, LESS CORE
COM10209	16	1	COMPRESSOR; SCROLL, SXA039B7BPZ, 3.25 TON, 575/60/3, R410A
DHY01511	17	2	DRIER; FILTER, LIQUID LINE, 5/16 ODM INLET X 5/16 ODF OUTLET, 8 CU INCH
SWT03173	18	1	SWITCH; LOW PRESSURE CUTOFF, 250 OPEN, ACTUATION PRESSURE 41 +/- 4, RESET PRESSURE 25 +/- 4
WIR04407	18	1	WIRE; HARNESS, LOW PRESSURE SWITCH, 55 IN LENGTH, YELLOW WIRES, CIR 2
CLP01073	19	2	CLIP; BULB (RED)
THT02761	20	1	THERMOSTAT; WITH CLIP, .5/.625 TUBE, 72" RED WIRES, SPST, 230F OPEN, 180F CLOSE
SWT03403	21	1	SWITCH; HIGH PRESSURE, BRAZED, OPENS AT 650 PSIG, CLOSES AT 550 PSIG, 61 INCH ORANGE LEADS
CAP00072	22	1	CAP; VALVE, SEAL, .25 FFL
SET00819	22	1	SEAT; SADDLE MOUNT ASSEMBLY
STM00803	22	1	STEM; SADDLE MOUNT, VALVE CORE, BRASS, .344 DIA X 1.29 SCHRAEDER TYPE FITTING (TO INCLUDE 5 PIECES)

INDOOR COIL

75012667

RP  
A



This is a typical illustration. The unit in the field may not appear exactly as shown.

Part No.	Reference No.	Quantity	Description
DST00945	*	1	DISTRIBUTOR; ASSEMBLY, INDOOR, 12 OUTLETS, #4 NOZZLE
DST00946	*	1	DISTRIBUTOR; ASSEMBLY, 8 OUTLETS, #2.5 NOZZLE
COL18122	1	1	COIL; INDOOR, 4 ROW, 40H X 44.5L
BRK03097	2	1	BRACKET; FILTER STOP, 40.00 X 3.00
BOF02311	4	1	BLOCKOFF; INDOOR COIL BOTTOM, 51.44 X 2.65 X 2.15
BRK03234	5	1	BRACKET; INDOOR COIL, BOTTOM, 0.65 X 4.39 X 1.50
VAL10373	7	1	VALVE; EXPANSION, 6 TON, 3/8 ODF IN X 1/2 ODF OUT, NON-ADJUSTABLE, R410A, 127.0 PSIG
VAL10371	8	1	VALVE; EXPANSION, 4 TON, 3/8 ODF IN X 1/2 ODF OUT, NON-ADJUSTABLE, R410A, 124.8 PSIG
BRK03938	9	1	BRACKET; FILTER CHANNEL, 50.50 LENGTH
BOF01684	10	1	BLOCKOFF; INDOOR COIL, FRONT, 40.6 X 5.5

Parts List Number :TSCUP11

Model Number :TSC120HWE0A001S

Part No.	Reference No.	Quantity	Description
BAYABRD001C	*	1	KIT; ACCESSORY, OPTIONS BOARD (BAYABRD001CA)
BAYBARM011A	*	1	DAMPER; BAROMETRIC RELIEF (BAYBARM011AB)
BAYCURB043A	*	1	CURB; ROOFCURB (BAYCURB043AB)
BAYDFPS004A	*	1	KIT; FAN FAILURE SWITCH (BAYDFPS004AB). (OPTIONS BOARD KIT09433-BAYABRD001CA MUST BE INSTALLED IN THE UNIT FOR THIS ACCESSORY TO OPERATE).
BAYDMPR055B	*	1	DAMPER; 0-50 PERCENT MOTORIZED OUTSIDE AIR DAMPER, ELECTROMECHANICAL (BAYDMPR055B)
BAYDMPR056B	*	1	DAMPER; 0-50% MANUAL OUTSIDE AIR DAMPER (BAYDMPR056BA)
BAYECON088B	*	1	ECONOMIZER; ELECTROMECHANICAL 0-100%DRY BULB
BAYENTH300A	*	1	ACCESSORY; REFERENCE ENTHALPY
BAYENTH301A	*	1	ACCESSORY; COMPARATIVE ENTHALPY
BAYHAKT010E	*	1	KIT; ACCESSORY, HIGH ALTITUDE
BAYHTRAW18A	*	1	ELECTRIC HEATER; 575-600/60/3, 18KW
BAYHTRAW36A	*	1	ELECTRIC HEATER; 575-600/60/3, 18/18KW
BAYHTRAW54A	*	1	ELECTRIC HEATER; 575-600/60/3, 18/36KW
BAYLMSW001A	*	1	POWER EXHAUST LIMIT SWITCH
BAYPWRX028A	*	1	POWER EXHAUST; 575V, 6-10 TON PRECEDENT
BAYQACB011A	*	1	CURB; ADAPTA CURB (BAYQACB011AA), TRANSITIONS BAYCURB022B, 83.50 X 49.375
BAYQACB012A	*	1	CURB; ADAPTA CURB (BAYQACB012AA), TRANSITIONS BAYCURB025B, 90.50 X 60.625
BAYQACB013A	*	1	CURB; ADAPTA CURB (BAYQACB013AA), TRANSITIONS BAYCURB026B, 103.375 X 68.125
BAYQACB114A	*	1	QUICK ADAPTER ROOF CURB
BAYTUBE401A	*	1	DISCHARGE AIR SENSING; ELECTRIC HEAT
PLT04561	*	1	PLATE; WALL COVER PLATE ASSEMBLY (BAYMTPL110A)
SEN00287	*	1	SENSOR; ZONE, LEVEL II HEAT PUMP
THT02773	*	1	THERMOSTAT; WALL MOUNT, NON-PROGRAMMABLE 3H/2C (BAYSTAT155A)
THT02774	*	1	THERMOSTAT; WALL MOUNT, PROGRAMMABLE 3H/2C, (BAYSTAT150AA)
THT02775	*	1	THERMOSTAT; PROGRAMABLE TOUCH SCREEN 3H/2C
TOL00099	*	1	TOOL; RESISTANCE DECADE BOX

<p><b>MODEL NUMBER DESCRIPTION</b> <span style="float: right;">75012766</span></p> <p>DX Cooling / DX Cooling, Gas Heat / Pkg Heat Pump</p>		<p>RP A</p>
<p><i>Example Model Number:</i></p> <p><b>YSC092H3RZA00C6C2A1A000DEA11A0D1</b></p> <p>1 - - - - 5 - - - - 10 - - - - 15 - - - - 20 - - - - 25 - - - - 30 - - - -</p>		
<p><b>Digit 1 – Unit Type</b>                  D = Dual Fuel Heat Pump                  T = DX Cooling                  W = Packaged Heat Pump                  Y = DX Cooling, Gas Heat</p> <p><b>Digit 2 – Efficiency</b>                  S = Standard Efficiency                  H = High Efficiency</p> <p><b>Digit 3 – Airflow</b>                  C = Convertible</p> <p><b>Digits 4,5,6 – Nominal Gross Cooling Capacity (MBh)</b>                  072 = 6 Ton                  074 = 6 Ton                  090 = 7.5 Ton                  092 = 7.5 Ton                  102 = 8.5 Ton                  120 = 10 Ton</p> <p><b>Digit 7 – Major Design Sequence</b>                  H = Major Design Sequence</p> <p><b>Digit 8 – Voltage Selection</b>                  3 = 208-230/60/3                  4 = 460/60/3                  W = 575/60/3</p> <p><b>Digit 9 – Unit Controls</b>                  E = Electromechanical                  R = ReliaTel™ Microprocessor</p> <p><b>Digit 10 – Heating Capacity</b>  <i>Note: Applicable to Digit 1, T or W models only</i>                  0 = No Electric Heat                  C = 9 kW                  G = 18 kW                  K = 27 kW                  N = 36 kW                  P = 54 kW  <i>Note: Applicable to Digit 1, D or Y models only</i>                  L = Low Heat                  M = Medium Heat                  H = High Heat                  X = Low Heat, Stainless Steel Heat Exchanger                  Y = Medium Heat, Stainless Steel Heat Exchanger                  Z = High Heat, Stainless Steel Heat Exchanger</p>	<p><b>Digit 11 – Minor Design Sequence</b>                  A = First Sequence</p> <p><b>Digits 12, 13 – Service Sequence</b>                  ** = Factory Assigned</p> <p><b>Digit 14 – Fresh Air Selection</b>                  0 = No Fresh Air                  A = Manual Outside Air Damper 0-50%                  B = Motorized Outside Air Damper 0-50%                  C = Economizer, Dry Bulb 0-100% without Barometric Relief                  D = Economizer, Dry Bulb 0-100% with Barometric Relief                  E = Economizer, Reference Enthalpy 0-100% without Barometric Relief                  F = Economizer, Reference Enthalpy 0-100% with Barometric Relief                  G = Economizer, Comparative Enthalpy 0-100% without Barometric Relief                  H = Economizer, Comparative Enthalpy 0-100% with Barometric Relief                  K = Low Leak Economizer with Barometric Relief                  M = Low Leak Economizer with Reference Enthalpy with Barometric Relief                  P = Low Leak Economizer with Comparative Enthalpy with Barometric Relief</p> <p><b>Digits 15 – Supply Fan/Drive Type/Motor</b>                  0 = Standard Drive                  1 = Oversized Motor                  6 = Single Zone VAV                  7 = Multi-Speed Indoor Fan                  E = Multi-Zone Variable Air Volume</p> <p><b>Digit 16 – Hinged Service Access/Filters</b>                  0 = Standard Panels/Standard Filters                  A = Hinged Access Panels/Standard Filters                  B = Standard Panels/2" MERV 8 Filters                  C = Hinged Access Panels/2" MERV 8 Filters                  D = Standard Panels/2" MERV 13 Filters                  E = Hinged Access Panels/2" MERV 13 Filters</p>	
		<p>1 of 2</p>

<b>MODEL NUMBER DESCRIPTION</b>	75012767	RP A
DX Cooling / DX Cooling, Gas Heat / Pkg Heat Pump		
<p><i>Example Model Number:</i></p> <p><b>YSC092H3RZA00C6C2A1A000DEA11AD1</b></p> <p>1 - - - - 5 - - - - 10 - - - - 15 - - - - 20 - - - - 25 - - - - 30 - - - -</p>		
<p><b>Digit 17 – Condenser Coil Protection</b>                  0 = Standard Coil                  1 = Standard Coil with Hail Guard                  2 = Black Epoxy Condenser Coil Guard                  3 = Black Epoxy Condenser Coil with Hail Guard                  4 = CompleteCoat Condenser Coil                  5 = CompleteCoat Condenser Coil with Hail Guard</p> <p><b>Digit 18 – Through the Base Option</b>                  0 = No Through-the-Base Provisions                  A = Through-the-Base Electric                  B = Through-the-Base Gas Piping                  C = Through-the-Base Electric and Gas Piping</p> <p><b>Digit 19 – Disconnect/Circuit Breaker</b>                  0 = No Disconnect/No Circuit Breaker                  1 = Unit Mounted Non-Fused Disconnect                  2 = Unit Mounted Circuit Breaker</p> <p><b>Digit 20 – Convenience Outlet</b>                  0 = Convenience Outlet                  A = Unpowered Convenience Outlet                  B = Powered Convenience Outlet</p> <p><b>Digit 21 – Communications Options</b>                  0 = No Communications Interface                  1 = Trane® Communications Interface                  2 = LonTalk® Communications Interface                  6 = BACnet® Communications Interface                  7 = Air-Fi™ Wireless Communications Interface</p> <p><b>Digit 22 – Refrigeration System Option</b>                  0 = Standard Refrigeration System</p> <p><b>Digit 23 – Refrigeration Controls</b>                  0 = Without Refrigeration Controls                  1 = Frostat™</p> <p><b>Digit 24 – Smoke Detector</b>                  0 = No Smoke Detector                  A = Return Air Smoke Detector                  B = Supply Air Smoke Detector                  C = Supply and Return Air Smoke Detectors                  D = Plenum Smoke Detector</p>	<p><b>Digit 25 – System Monitoring Controls</b>                  0 = Standard Monitoring System                  1 = Clogged Filter Switch                  2 = Fan Failure Switch                  3 = Discharge Air Sensing Tube                  4 = Clogged Filter Switch and Fan Failure Switch                  5 = Clogged Filter Switch and Discharge Air Sensing Tube                  6 = Fan Failure Switch and Discharge Air Sensing Tube                  7 = Clogged Filter Switch, Fan Failure Switch and Discharge Air Sensing Tube                  A = Condensate Drain Pan Overflow Switch                  B = Clogged Filter Switch and Condensate Drain Pan Overflow Switch                  C = Fan Failure Switch and Condensate Drain Pan Overflow Switch                  D = Discharge Air Sensing Tube and Condensate Drain Pan Overflow Switch                  E = Clogged Filter Switch, Fan Failure Switch and Condensate Drain Pan Overflow Switch                  F = Clogged Filter Switch, Discharge Air Sensing Tube and Condensate Drain Pan Overflow Switch                  G = Fan Failure Switch, Discharge Air Sensing Tube and Condensate Drain Pan Overflow Switch                  F = Clogged Filter Switch, Fan Failure Switch, Discharge Air Sensing Tube and Condensate Drain Pan Overflow Switch</p> <p><b>Digit 26 – System Monitoring Controls</b>                  0 = No Monitoring Controls                  A = Demand Control Ventilation (CO<sub>2</sub>)                  B = Low Leak Economizer with FDD (Fault Detection &amp; Diagnostics)                  C = FDD (Fault Detection &amp; Diagnostics) with DCV (Demand Control Ventilation)</p> <p><b>Digits 27 – Unit Hardware Enhancements</b>                  0 = No Enhancements                  1 = Stainless Steel Drain Pan</p> <p><b>Digit 31 – Advanced Unit Controls</b>                  0 = Standard Unit Controls                  1 = Human Interface</p>	
2 of 2		

