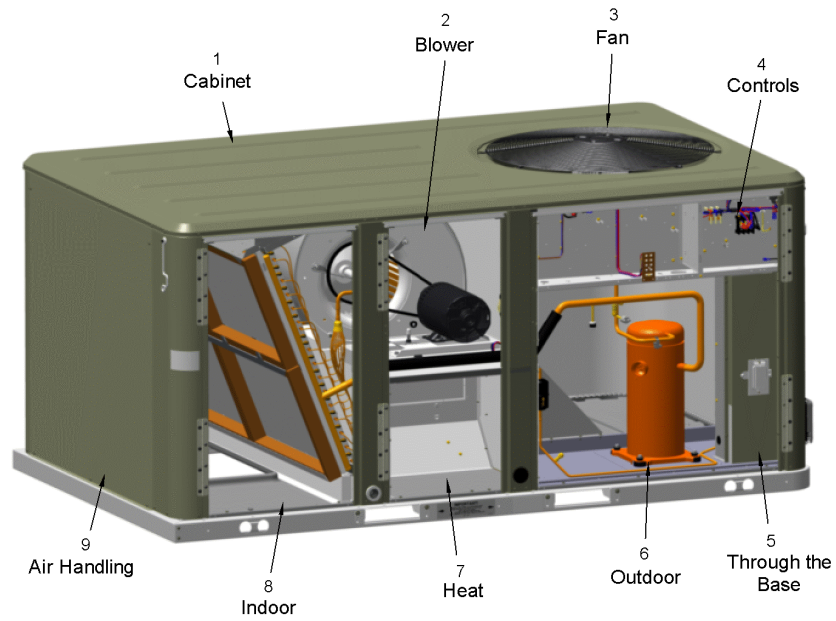


PACKAGED COOLING

75012652

RP  
A

The sections that appear on this illustration are for all options.  
Sections and options will appear in the Parts List if factory installed



This is a typical illustration. The unit in the field may not appear exactly as shown.

Parts List Number :TSCUP11

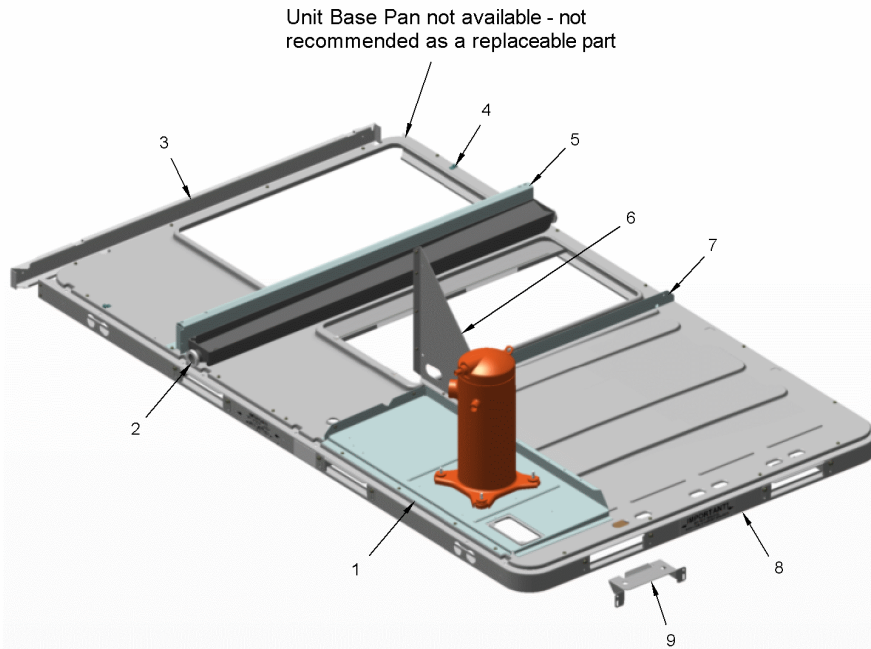
Model Number :TSC090H4E0A001S

<b>Part No.</b>	<b>Reference No.</b>	<b>Quantity</b>	<b>Description</b>
75011721	1		UNIT BASE COMPONENTS
75012614	2		BLOWER
75012613	3		FAN - OUTDOOR
75012740	4		CONTROL PANEL
75010619	8		FROSTAT
NGRAPHIC	10		OPTIONAL FIELD INSTALLED ACCESSORIES
75012766	11		MODEL NUMBER DESCRIPTION, DIGITS 1-16
75012767	11		MODEL NUMBER DESCRIPTION, DIGITS 17-31

UNIT BASE COMPONENTS

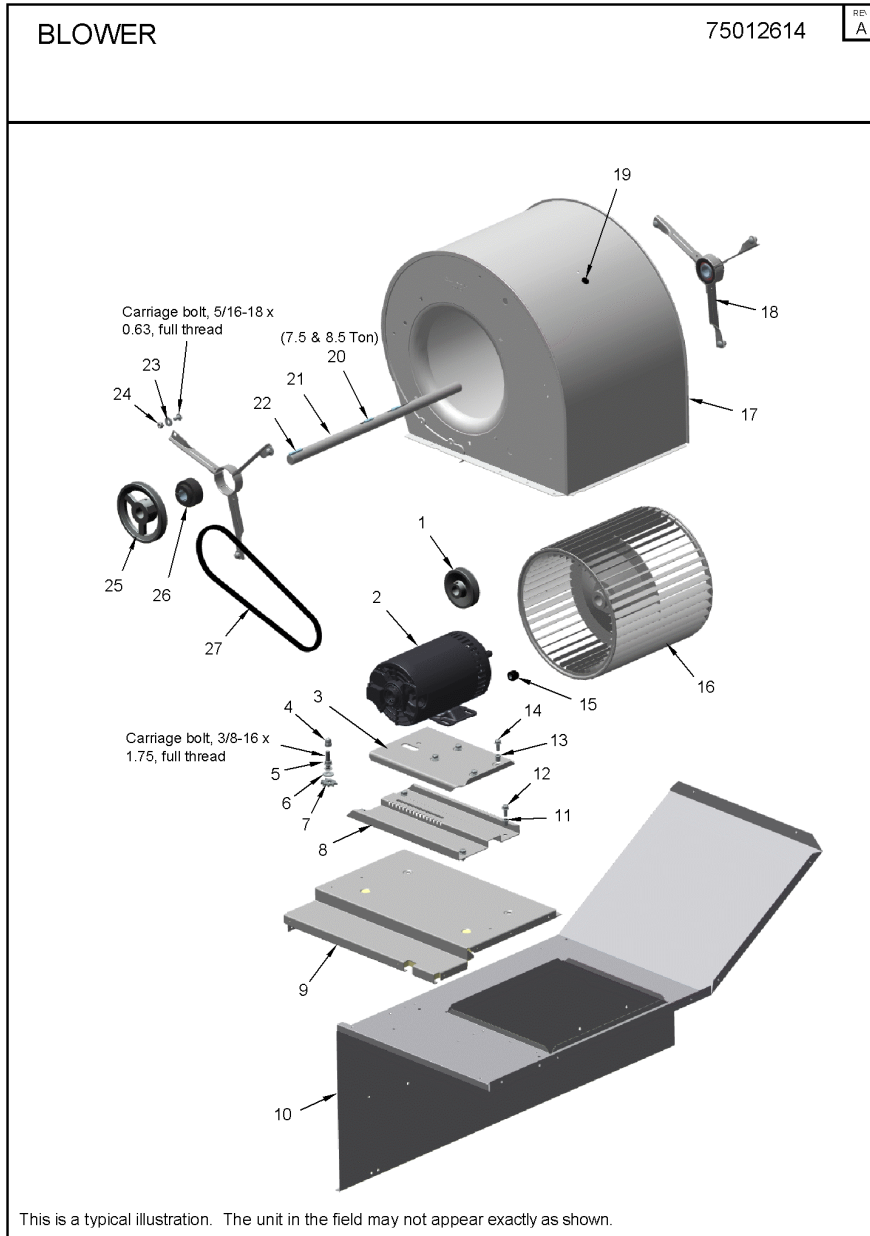
75011721

REV.  
A



This is a typical illustration. The unit in the field may not appear exactly as shown.

<b>Part No.</b>	<b>Reference No.</b>	<b>Quantity</b>	<b>Description</b>
PLT03619	1	1	PLATE; MOUNTING, COMPRESSOR, 34.56 X 14.30
RAL00878	3	1	RAIL; END, 53 IN LENGTH
CLP01008	4	2	NO DESCRIPTION AVAILABLE
SUP04486	5	1	SUPPORT; INDOOR COIL, 51.6 INCH LENGTH
BRK03275	6	1	BRACKET; COMPRESSOR SUPPORT (3 SIDES)
ANG01324	7	1	ANGLE; TOGGLE LOCK, 51.00 X 1.80
RAL01211	8	1	RAIL; BASE, C/D CABINET
BRK03274	9	4	BRACKET; BASE SUPPORT MOUNT, 10.3 LENGTH (FORKLIFT BRACKET)

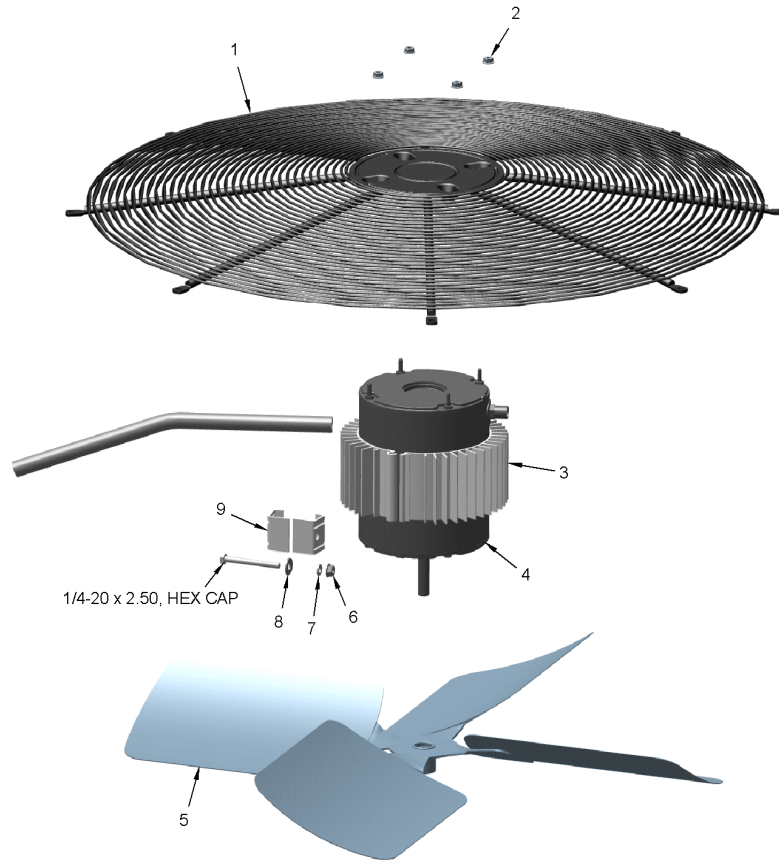


Part No.	Reference No.	Quantity	Description
KIT12166	*	1	KIT; MOTOR MOUNTING. INCLUDES (1) BRK02977, (1) BRK02978, MOUNTING HARDWARE AND BELT TENSION LABELS.
WIR09224	*	1	WIRE; HARNESS; BELT DRIVEN INDOOR MOTOR, PPM87, 16G-RD,17G-BL,76A-BK
BRK02978	3	1	BRACKET; MOTOR MOUNTING PLATE, TOP, 11.7 X 7.8. INCLUDES (4) .31-18 HEX RIVNUTS.
NUT01042	4	1	NUT; HEX, 3/8-16 UNC, ACORN, HIGH CROWN, BELT DRIVE MOTOR BRACKET
NUT00079	5	1	NUT; .38-16
WAS00283	6	1	WASHER; PLAIN, .43 ID X 1.00 OD, .083 THK, CARBON-STL PLD
BRK02975	7	1	BRACKET; ADJUSTMENT, MOTOR (IDLER GEAR)
BRK02977	8	1	BRACKET; MOTOR MOUNTING PLATE, BOTTOM, 14.5 X 8.0. INCLUDES (4) 0.31-18 X 0.75 HEX MACH SCREWS.
INS03491	9	1	INSULATION; WRAPPER FRONT
PNL16810	9	1	PANEL; WRAPPER, TOP, 19.74 X 16.59
NUT00588	11	4	NUT; HEX RIVET, .31-18
SCR01634	12	4	SCREW; .31-18 X .75, HEX MACH
NUT00588	13	4	NUT; HEX RIVET, .31-18
SCR01634	14	4	SCREW; .31-18 X .75, HEX MACH
BUS00363	15	1	BUSHING; STRAIN RELIEF
BUS00485	19	1	BUSHING; .62 MTG W/MAX .44 ID
KEY00300	22	1	KEY; 1/4 IN X 1/4 IN X 1-1/2 IN
BRG01579	26	2	BEARING; BALL; 1.0 BORE, BB CRTG, RUBBER MOUNT

FAN - OUTDOOR

75012613

RP  
A



This is a typical illustration. The unit in the field may not appear exactly as shown.

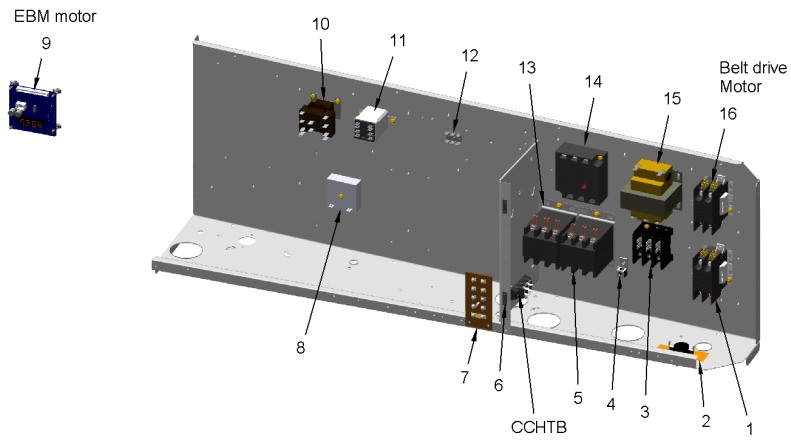
Part No.	Reference No.	Quantity	Description
GRL01353	1	1	GRILLE; OUTDOOR FAN, 30.33 MTG DIA
NUT01332	2	4	NUT; SERRATED HEX FLANGE, ZINC PLATED (IF RUBBER CAP IS NEEDED ORDER IRT00017)
RNG01005	3	2	RING; EXTRUDED FIN, HEAT SINK, 3.00 WIDE, UNRESTRAINED DIM IS 7.20/6.61
MOT18648	4	1	MOTOR; AL OD MOTOR, 3 PHASE 0.7 HP, 460V
FAN06091	5	1	FAN; BLADE, OD FAN - 26X4XH28/L30 - DUAL SET-SCREW
NUT00009	6	1	NUT; .25-20, HEX LOCK
WAS00670	7	1	WASHER; .26 ID X .49 OD
WAS00041	8	1	WASHER; FLAT, PLAIN, #12 .25 ID X .56 OD, .065 THK, CARBON STL-PLD
BRK00688	9	2	BRACKET; CONNECTING, HEAT SINK

CONTROL PANEL

75012740

RP  
A

The parts that appear on this illustration are for all options.  
Parts will appear in the Parts List if factory installed.



This is a typical illustration. The unit in the field may not appear exactly as shown.

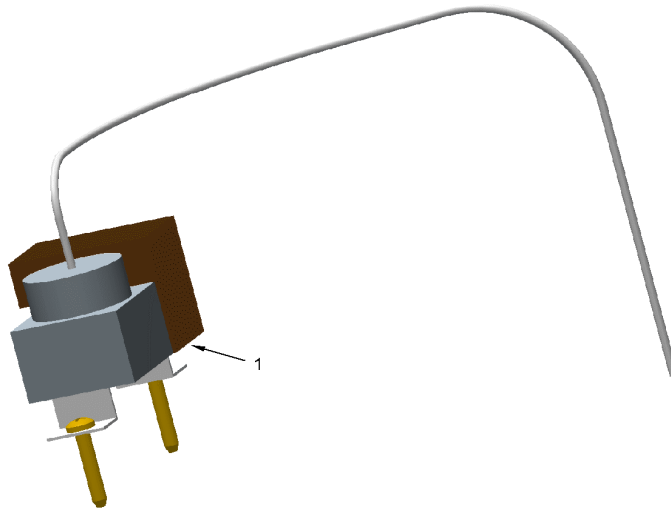
Part No.	Reference No.	Quantity	Description
CTR01203	1	1	CONTACTOR; 2P, 30A, 24V COIL, 30 FLA AT 277V
CNT01405	2	1	CONTROL; TEMP, OPEN 65F, CLOSE 55F, SPST
CON00077	4	1	CONNECTOR, ELECTRIC GROUND, 14-2 AWG SOLDERLESS
WAS00611	4	1	WASHER;LOCK, .19 ID X .39 OD
CTR01870	5	1	CONTACTOR; 3 POLE, 30 FLA, W/O LUGS, 50/60 HZ, 24V COIL
CAT00043	6	2	CATCH; MAGNETIC SNAP-IN
TER01594	7	1	TERMINAL; STRIP, LTB, INCLUDES CO2 & ESTOP CONNECTORS
RLY01040	10	1	RELAY; SPDT, 120/208/240/277/480/600V, QUICK CONNECT TERM., 24V COIL
TER01680	12	1	TERMINAL STRIP; .25IN. FASTON
CNT05176	14	1	CONTROL; MONITOR, 3-PHASE LINE, UNIVERSAL 180-632 VAC, PHASE AND LOSS REVERSAL
TRR00826	15	1	TRANSFORMER; 75 VA, 460-575V PRI, 24V SEC

FROSTAT

75010619

REV.  
A

TYPICAL ILLUSTRATION



<b>Part No.</b>	<b>Reference No.</b>	<b>Quantity</b>	<b>Description</b>
WIR03424	*	1	WIRE; HARNESS, FROSTAT, ELECTROMECHANICAL
CNT03775	1	1	CONTROL; DEFROST, SPDT, 10-50F, 50/52.5 INCH CAPELLARY

Parts List Number :TSCUP11

Model Number :TSC090H4E0A001S

Part No.	Reference No.	Quantity	Description
BAYABRD001C	*	1	KIT; ACCESSORY, OPTIONS BOARD (BAYABRD001CA)
BAYBARM011A	*	1	DAMPER; BAROMETRIC RELIEF (BAYBARM011AB)
BAYCURB043A	*	1	CURB; ROOFCURB (BAYCURB043AB)
BAYDFPS004A	*	1	KIT; FAN FAILURE SWITCH (BAYDFPS004AB). (OPTIONS BOARD KIT09433-BAYABRD001CA MUST BE INSTALLED IN THE UNIT FOR THIS ACCESSORY TO OPERATE).
BAYDMPR055B	*	1	DAMPER; 0-50 PERCENT MOTORIZED OUTSIDE AIR DAMPER, ELECTROMECHANICAL (BAYDMPR055B)
BAYDMPR056B	*	1	DAMPER; 0-50% MANUAL OUTSIDE AIR DAMPER (BAYDMPR056BA)
BAYECON088B	*	1	ECONOMIZER; ELECTROMECHANICAL 0-100%DRY BULB
BAYENTH300A	*	1	ACCESSORY; REFERENCE ENTHALPY
BAYENTH301A	*	1	ACCESSORY; COMPARATIVE ENTHALPY
BAYHAKT010E	*	1	KIT; ACCESSORY, HIGH ALTITUDE
BAYHSMT086A	*	1	KIT; OVERSIZED MOTOR, 3 HP, 208-230/460/60/3 (BAYHSMT086A)
BAYHTRW409A	*	1	ELECTRIC HEATER; 460-480/60/3, 9KW
BAYHTRW418A	*	1	ELECTRIC HEATER; 460-480/60/3, 18KW
BAYHTRW427A	*	1	ELECTRIC HEATER; 460-480/60/3, 9/18KW
BAYHTRW436A	*	1	ELECTRIC HEATER; 460-480/60/3, 18/18KW
BAYLSW001A	*	1	POWER EXHAUST LIMIT SWITCH
BAYPWRX027A	*	1	KIT; POWER EXHAUST, 460V (BAYPWRX027A)
BAYQACB011A	*	1	CURB; ADAPTA CURB (BAYQACB011AA), TRANSITIONS BAYCURB022B, 83.50 X 49.375
BAYQACB012A	*	1	CURB; ADAPTA CURB (BAYQACB012AA), TRANSITIONS BAYCURB025B, 90.50 X 60.625
BAYQACB013A	*	1	CURB; ADAPTA CURB (BAYQACB013AA), TRANSITIONS BAYCURB026B, 103.375 X 68.125
PLT04561	*	1	PLATE; WALL COVER PLATE ASSEMBLY (BAYMTPL110A)
SEN00287	*	1	SENSOR; ZONE, LEVEL II HEAT PUMP
THT02773	*	1	THERMOSTAT; WALL MOUNT, NON-PROGRAMMABLE 3H/2C (BAYSTAT155A)
THT02774	*	1	THERMOSTAT; WALL MOUNT, PROGRAMMABLE 3H/2C, (BAYSTAT150AA)
THT02775	*	1	THERMOSTAT; PROGRAMABLE TOUCH SCREEN 3H/2C
TOL00099	*	1	TOOL; RESISTANCE DECADE BOX

<p><b>MODEL NUMBER DESCRIPTION</b> <span style="float: right;">75012766</span></p> <p>DX Cooling / DX Cooling, Gas Heat / Pkg Heat Pump</p>		<p>RP A</p>
<p><i>Example Model Number:</i></p> <p><b>YSC092H3RZA00C6C2A1A000DEA11A0D1</b></p> <p>1 - - - - 5 - - - - 10 - - - - 15 - - - - 20 - - - - 25 - - - - 30 - - - -</p>		
<p><b>Digit 1 – Unit Type</b>                  D = Dual Fuel Heat Pump                  T = DX Cooling                  W = Packaged Heat Pump                  Y = DX Cooling, Gas Heat</p> <p><b>Digit 2 – Efficiency</b>                  S = Standard Efficiency                  H = High Efficiency</p> <p><b>Digit 3 – Airflow</b>                  C = Convertible</p> <p><b>Digits 4,5,6 – Nominal Gross Cooling Capacity (MBh)</b>                  072 = 6 Ton                  074 = 6 Ton                  090 = 7.5 Ton                  092 = 7.5 Ton                  102 = 8.5 Ton                  120 = 10 Ton</p> <p><b>Digit 7 – Major Design Sequence</b>                  H = Major Design Sequence</p> <p><b>Digit 8 – Voltage Selection</b>                  3 = 208-230/60/3                  4 = 460/60/3                  W = 575/60/3</p> <p><b>Digit 9 – Unit Controls</b>                  E = Electromechanical                  R = ReliaTel™ Microprocessor</p> <p><b>Digit 10 – Heating Capacity</b>  <i>Note: Applicable to Digit 1, T or W models only</i>                  0 = No Electric Heat                  C = 9 kW                  G = 18 kW                  K = 27 kW                  N = 36 kW                  P = 54 kW  <i>Note: Applicable to Digit 1, D or Y models only</i>                  L = Low Heat                  M = Medium Heat                  H = High Heat                  X = Low Heat, Stainless Steel Heat Exchanger                  Y = Medium Heat, Stainless Steel Heat Exchanger                  Z = High Heat, Stainless Steel Heat Exchanger</p>	<p><b>Digit 11 – Minor Design Sequence</b>                  A = First Sequence</p> <p><b>Digits 12, 13 – Service Sequence</b>                  ** = Factory Assigned</p> <p><b>Digit 14 – Fresh Air Selection</b>                  0 = No Fresh Air                  A = Manual Outside Air Damper 0-50%                  B = Motorized Outside Air Damper 0-50%                  C = Economizer, Dry Bulb 0-100% without Barometric Relief                  D = Economizer, Dry Bulb 0-100% with Barometric Relief                  E = Economizer, Reference Enthalpy 0-100% without Barometric Relief                  F = Economizer, Reference Enthalpy 0-100% with Barometric Relief                  G = Economizer, Comparative Enthalpy 0-100% without Barometric Relief                  H = Economizer, Comparative Enthalpy 0-100% with Barometric Relief                  K = Low Leak Economizer with Barometric Relief                  M = Low Leak Economizer with Reference Enthalpy with Barometric Relief                  P = Low Leak Economizer with Comparative Enthalpy with Barometric Relief</p> <p><b>Digits 15 – Supply Fan/Drive Type/Motor</b>                  0 = Standard Drive                  1 = Oversized Motor                  6 = Single Zone VAV                  7 = Multi-Speed Indoor Fan                  E = Multi-Zone Variable Air Volume</p> <p><b>Digit 16 – Hinged Service Access/Filters</b>                  0 = Standard Panels/Standard Filters                  A = Hinged Access Panels/Standard Filters                  B = Standard Panels/2" MERV 8 Filters                  C = Hinged Access Panels/2" MERV 8 Filters                  D = Standard Panels/2" MERV 13 Filters                  E = Hinged Access Panels/2" MERV 13 Filters</p>	
<p>1 of 2</p>		

<b>MODEL NUMBER DESCRIPTION</b>	75012767	RP A
DX Cooling / DX Cooling, Gas Heat / Pkg Heat Pump		
<p><i>Example Model Number:</i></p> <p><b>YSC092H3RZA00C6C2A1A000DEA11AD1</b></p> <p>1 - - - - 5 - - - - 10 - - - - 15 - - - - 20 - - - - 25 - - - - 30 - - - -</p>		
<p><b>Digit 17 – Condenser Coil Protection</b>                  0 = Standard Coil                  1 = Standard Coil with Hail Guard                  2 = Black Epoxy Condenser Coil Guard                  3 = Black Epoxy Condenser Coil with Hail Guard                  4 = CompleteCoat Condenser Coil                  5 = CompleteCoat Condenser Coil with Hail Guard</p> <p><b>Digit 18 – Through the Base Option</b>                  0 = No Through-the-Base Provisions                  A = Through-the-Base Electric                  B = Through-the-Base Gas Piping                  C = Through-the-Base Electric and Gas Piping</p> <p><b>Digit 19 – Disconnect/Circuit Breaker</b>                  0 = No Disconnect/No Circuit Breaker                  1 = Unit Mounted Non-Fused Disconnect                  2 = Unit Mounted Circuit Breaker</p> <p><b>Digit 20 – Convenience Outlet</b>                  0 = Convenience Outlet                  A = Unpowered Convenience Outlet                  B = Powered Convenience Outlet</p> <p><b>Digit 21 – Communications Options</b>                  0 = No Communications Interface                  1 = Trane® Communications Interface                  2 = LonTalk® Communications Interface                  6 = BACnet® Communications Interface                  7 = Air-Fi™ Wireless Communications Interface</p> <p><b>Digit 22 – Refrigeration System Option</b>                  0 = Standard Refrigeration System</p> <p><b>Digit 23 – Refrigeration Controls</b>                  0 = Without Refrigeration Controls                  1 = Frostat™</p> <p><b>Digit 24 – Smoke Detector</b>                  0 = No Smoke Detector                  A = Return Air Smoke Detector                  B = Supply Air Smoke Detector                  C = Supply and Return Air Smoke Detectors                  D = Plenum Smoke Detector</p>	<p><b>Digit 25 – System Monitoring Controls</b>                  0 = Standard Monitoring System                  1 = Clogged Filter Switch                  2 = Fan Failure Switch                  3 = Discharge Air Sensing Tube                  4 = Clogged Filter Switch and Fan Failure Switch                  5 = Clogged Filter Switch and Discharge Air Sensing Tube                  6 = Fan Failure Switch and Discharge Air Sensing Tube                  7 = Clogged Filter Switch, Fan Failure Switch and Discharge Air Sensing Tube                  A = Condensate Drain Pan Overflow Switch                  B = Clogged Filter Switch and Condensate Drain Pan Overflow Switch                  C = Fan Failure Switch and Condensate Drain Pan Overflow Switch                  D = Discharge Air Sensing Tube and Condensate Drain Pan Overflow Switch                  E = Clogged Filter Switch, Fan Failure Switch and Condensate Drain Pan Overflow Switch                  F = Clogged Filter Switch, Discharge Air Sensing Tube and Condensate Drain Pan Overflow Switch                  G = Fan Failure Switch, Discharge Air Sensing Tube and Condensate Drain Pan Overflow Switch                  F = Clogged Filter Switch, Fan Failure Switch, Discharge Air Sensing Tube and Condensate Drain Pan Overflow Switch</p> <p><b>Digit 26 – System Monitoring Controls</b>                  0 = No Monitoring Controls                  A = Demand Control Ventilation (CO<sub>2</sub>)                  B = Low Leak Economizer with FDD (Fault Detection &amp; Diagnostics)                  C = FDD (Fault Detection &amp; Diagnostics) with DCV (Demand Control Ventilation)</p> <p><b>Digits 27 – Unit Hardware Enhancements</b>                  0 = No Enhancements                  1 = Stainless Steel Drain Pan</p> <p><b>Digit 31 – Advanced Unit Controls</b>                  0 = Standard Unit Controls                  1 = Human Interface</p>	
2 of 2		

Parts List Number :TSCUP11

Model Number :TSC090H4E0A001S