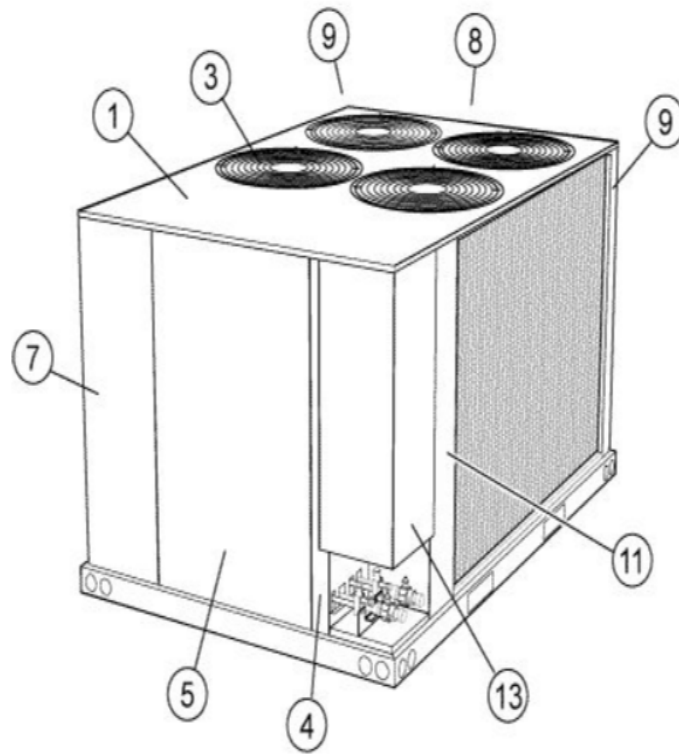


TSA 180-240



Revision Number - 1

*OPTIONAL PARTS-FIELD INSTALLED

Callout	Name	Quantity	Description
	SWITCH-LO AMBIENT Cat #: 38M78 Model/Part #: 38M7801	1	"IN 450 PSIG,OUT 240 PSIG"
	HARNESS, LOW AMBIENT Cat #: LB-112429H Model/Part #: LB-112429H	1	HARNESS, LOW AMBIENT
LB KIT	*** OBS *** ACC. KIT Cat #: 44W19 Model/Part #: LB-107318BC	1	INC NEXT PART

CABINET PARTS

Callout	Name	Quantity	Description
	RING-ORIFICE Cat #: 56L70 Model/Part #: 56L7001	4	ORIFICE RING, PLASTIC
	PANEL - ACCESS ENTRY BOTTOM Cat #: 64W22 Model/Part #: LB-115480	1	POWER ENTRY BOTTOM
1	PANEL, TOP Cat #: 64W18 Model/Part #: LB-115644	1	PANEL, TOP
3	GRILLE-DISCHARGE Cat #: 21J31 Model/Part #: 21J3101	4	GRILLE, FAN GUARD
4	MULLION - CONTROL BOX Cat #: 77W31 Model/Part #: LB-115478	1	MULLION - CONTROL BOX
5	PANEL - ACCESS COMPRESSOR Cat #: 64W20 Model/Part #: LB-115639	1	PANEL - ACCESS COMPRESSOR
7	MULLION - FRONT (LEFT) Cat #: 58W15 Model/Part #: LB-115643	1	MULLION - FRONT (LEFT)
8	MULLION,MIDDLE (REAR) Cat #: 64W15 Model/Part #: LB-114871	1	MIDDLE-REAR
9	MULLION - CORNER Cat #: 64W13 Model/Part #: LB-115476	1	FRONT-LEFT
11	MULLION, COIL SUPPORT Cat #: 99W21 Model/Part #: 602610-01	1	COIL SUPPORT

Callout	Name	Quantity	Description
13	ASSEMBLY CONTROL BOX COVER Cat #: 58W90 Model/Part #: 604736-01	1	CONTROL BOX COVER

CONTROL PANEL PARTS

Callout	Name	Quantity	Description
	CAPACITOR Cat #: 39H61 Model/Part #: 39H6101	4	"10MFD,370VAC"
K1	CONTACTOR Cat #: 95M57 Model/Part #: 100438-03	2	CONTACTOR-3PDT 25FLA/35RES
K10	RELAY Cat #: 56L68 Model/Part #: 56L6801	1	RELAY
K149	RELAY Cat #: 56L68 Model/Part #: 56L6801	1	"SPDT,24V"
K2	CONTACTOR Cat #: 38113 Model/Part #: P-8-7716	2	"3PDT,24V (208-230V)"
K66-67	RELAY Cat #: 67K65 Model/Part #: 67K6501	2	"DPDT,24V" (K66 / K67)
T1	TRANSFORMER Cat #: 27P25 Model/Part #: 51M4401	1	"208/240V,24V SEC,70VA"
T1	TRANSFORMER Cat #: 51M45 Model/Part #: 51M4501	1	"480V PRI,24V SEC,70VA"
T1	TRANSFORMER Cat #: 51M46 Model/Part #: 51M4601	1	"600V PRI,24V SEC,70VA"
T18	TRANSFORMER Cat #: 27P25 Model/Part #: 51M4401	1	"208/240V,24V SEC,70VA"
T18	TRANSFORMER Cat #: 51M45 Model/Part #: 51M4501	1	"480V PRI,24V SEC,70VA"
T18	TRANSFORMER Cat #: 51M46 Model/Part #: 51M4601	1	"600V PRI,24V SEC,70VA"
TB14	BLOCK, TERMINAL Cat #: 11F49 Model/Part #: 101642-01	1	TERMINAL BLOCK

COOLING PARTS

Callout	Name	Quantity	Description
	HARNES-COMPRESSOR Cat #: 15M36 Model/Part #: 15M3601	2	MOLDED PLUG
	DRIER Cat #: 38M73 Model/Part #: 38M7301	1	LIQUID LINE
	MOUNT PKG-COMP Cat #: 74J30 Model/Part #: 74J3001PR	2	MOUNT PKG-COMP
	BRACKET Cat #: 78L41 Model/Part #: 78L4101	4	MOUNT, MOTOR
	FITTING PRESS TAP Cat #: 86G64 Model/Part #: 86G6401	1	PRESSURE TAP
	VALVE CORE Cat #: 66820 Model/Part #: P-8-1897	1	VALVE, CORE 8075910047
	CAP-SEAL Cat #: 58114 Model/Part #: P-8-3187	1	CAP, BRASS
	SHIELD-RAIN Cat #: 32621 Model/Part #: P-8-6142	4	SHIELD, MOTOR
10	CRATE ASSY - COIL ASSY COND Cat #: 46W90 Model/Part #: 601282-08	1	W/ MANIFOLD (STG 2)
10	CRATE ASSY - COIL ASSY COND Cat #: 46W91 Model/Part #: 601282-09	1	W/ MANIFOLD (STG 1)
11	VALVE-BALL SERVICE 1-1/8 X 7/8 Cat #: 77W35 Model/Part #: 102831-06	2	VALVE-BALL SERVICE1-1/8 X 7/8(AFT 06/11)
11	VALVE-BALL Cat #: 15M40 Model/Part #: 15M4001	2	VALVE, BALL (BEFORE 06/11)
11	COMPRESSOR Cat #: 79M90 Model/Part #: 79M9001	2	"7 TON,208-230/60/3,COPE"
11	COMPRESSOR Cat #: 79M91 Model/Part #: 79M9101	2	"7 TON,380-420/50/3,460/60/3,COPE"
11	COMPRESSOR Cat #: 79M92 Model/Part #: 79M9201	2	"7 TON,575/60/3,COPE"

Callout	Name	Quantity	Description
12	VALVE-SERVICE Cat #: 68J11 Model/Part #: 68J1101	2	VALVE, SERVICE 5/8 in.
13	FAN Cat #: 65C68 Model/Part #: 65C6801	1	"1/2""BORE,24""DIA,3 BLADE"
B4	MOTOR-FAN Cat #: 14Y65 Model/Part #: 104607-01	2	MOTOR, 1/3 HP 230V (AFTER 7/17/16)
B4	MOTOR-FAN Cat #: 14Y70 Model/Part #: 104607-02	2	MOTOR, 1/3 HP 460V (AFTER 7/17/16)
B4	MOTOR-FAN Cat #: 79J81 Model/Part #: 79J8101	2	"1/3HP,1075RPM,208- 230/60/1"
B4	MOTOR-FAN Cat #: 79J82 Model/Part #: 79J8201	2	"1/3HP,1075RPM,380 & 460/60/1"
B4	MOTOR-FAN Cat #: 79J83 Model/Part #: 79J8301	2	"1/3HP, 1075RPM,575/60/1"
HR1	HEATER-CRANKCASE Cat #: 93M10 Model/Part #: 100499-07	2	"70 WATT, 575 VOLT"
HR1	HEATER-CRANKCASE Cat #: 93M11 Model/Part #: 100499-08	2	"40 WATT, 480 VOLT"
HR1	HEATER-CRANKCASE Cat #: 93M13 Model/Part #: 100499-10	2	"40 WATT, 240 VOLT"
S24/25	SWITCH, PRESSURE LOW R410A Cat #: 38M76 Model/Part #: 38M7601	2	LOSS OF CHARGE
S4/S7	SWITCH-HI PRESS Cat #: 69M18 Model/Part #: 69M1801	1	SWITCH, PRESSURE HIGH
S40	THERMOSTAT SPST OPEN@70°F CLOSE@50°F 40" Cat #: 95M54 Model/Part #: 100503-01	1	"CC HEATER, OPEN 70F, CLOSE 50F (208-2

Note:

There are no technical notes for this product.