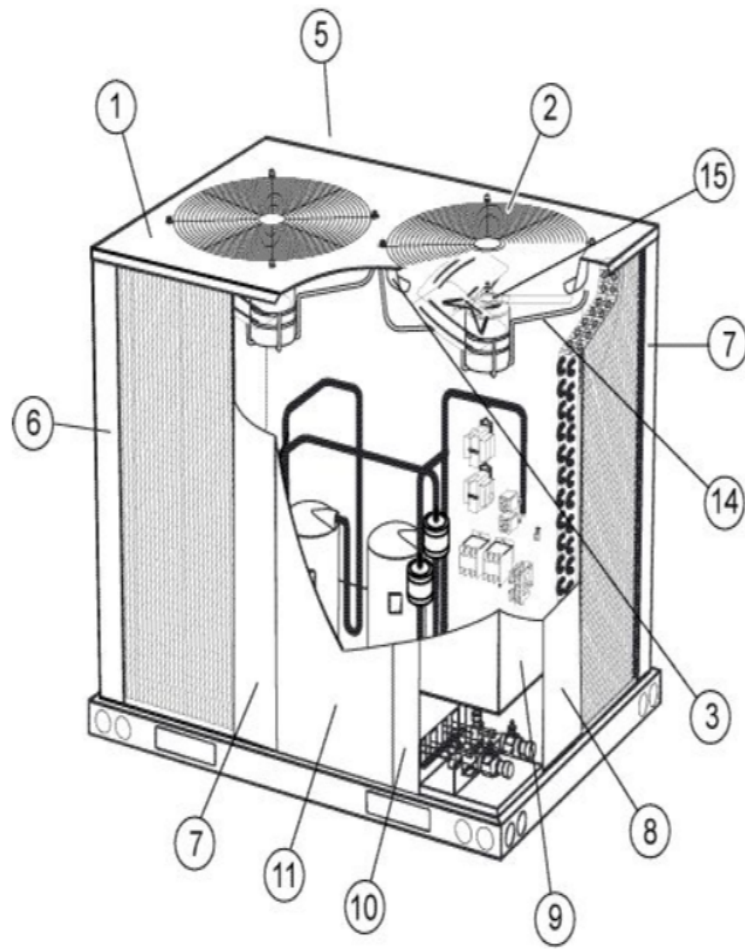


TSA 120-150



Revision Number - 1

*OPTIONAL PARTS-FIELD INSTALLED

| Callout | Name | Quantity | Description |
|---------|--|----------|-------------------------------|
| | SWITCH-LO AMBIENT Cat #: 38M78 Model/Part #: 38M7801 | 2 | "IN 450 PSIG,OUT 240 PSIG" |
| | *** OBS *** HARN LOW AMBIENT Cat #: LB-112429G Model/Part #: LB-112429G | 1 | HARNESS, LOW AMBIENT |
| LA KIT | *** OBS *** ACC. KIT Cat #: 44W18 Model/Part #: LB-107318BB | 1 | INC NEXT 2 PARTS |

CABINET PARTS

| Callout | Name | Quantity | Description |
|---------|---|----------|--------------------------|
| | RING-ORIFICE Cat #: 56L70 Model/Part #: 56L7001 | 2 | ORIFICE RING, PLASTIC |
| | PANEL FRONT MULLION Cat #: 64W14 Model/Part #: 600797-01 | 1 | FRONT-CENTER |
| | PANEL REAR CORNER MULLION Cat #: 56W34 Model/Part #: 600798-01 | 1 | CORNER-REAR |
| | MULLION, COIL SUPPORT Cat #: 99W21 Model/Part #: 602610-01 | 1 | COIL SUPPORT |
| | ASSEMBLY CONTROL BOX COVER Cat #: 58W90 Model/Part #: 604736-01 | 1 | CONTROL BOX COVER |
| | MULLION - CORNER Cat #: 64W13 Model/Part #: LB-115476 | 1 | FRONT-LEFT |
| | MULLION - CONTROL BOX Cat #: 77W31 Model/Part #: LB-115478 | 1 | MULLION - CONTROL BOX |
| | PANEL - ACCESS ENTRY BOTTOM Cat #: 64W22 Model/Part #: LB-115480 | 1 | POWER ENTRY BOTTOM |
| 1 | PANEL, TOP Cat #: 64W17 Model/Part #: LB-115471 | 1 | PANEL, TOP |
| 2 | GRILLE-DISCHARGE Cat #: 21J31 Model/Part #: 21J3101 | 2 | GRILLE, FAN GUARD |

CONTROL PANEL PARTS

| Callout | Name | Quantity | Description |
|----------------|---|-----------------|--|
| | CAPACITOR Cat #: 39H61 Model/Part #: 39H6101 | 2 | "10MFD,370VAC (575V) (C1,C2)" |
| | CAPACITOR Cat #: 53H05 Model/Part #: 39H6201 | 2 | "12.5MFD,370VAC (380-420V,460V) (C1,C2)" |
| | CAPACITOR Cat #: 53H06 Model/Part #: 39H6301 | 2 | "15MFD,370VAC (208-230V) (C1,C2)" |
| K1 | CONTACTOR Cat #: 95M57 Model/Part #: 100438-03 | 1 | "SPST,24V" |
| K10 | RELAY Cat #: 56L68 Model/Part #: 56L6801 | 1 | "SPDT,24V O.D. FAN" |
| K2 | CONTACTOR Cat #: 95M57 Model/Part #: 100438-03 | 1 | "SPST,24V" |
| K66 | RELAY Cat #: 67K65 Model/Part #: 67K6501 | 1 | "DPDT,24V (STG 2)" |
| K67 | RELAY Cat #: 67K65 Model/Part #: 67K6501 | 1 | "DPDT,24V (STG 2)" |
| T1 | TRANSFORMER Cat #: 27P25 Model/Part #: 51M4401 | 1 | "208/240V,24V SEC,70VA" |
| T1 | TRANSFORMER Cat #: 51M45 Model/Part #: 51M4501 | 1 | "480V PRI,24V SEC,70VA" |
| T1 | TRANSFORMER Cat #: 51M46 Model/Part #: 51M4601 | 1 | "600V PRI,24V SEC,70VA" |
| T18 | TRANSFORMER Cat #: 27P25 Model/Part #: 51M4401 | 1 | "208/240V,24V SEC,70VA" |
| T18 | TRANSFORMER Cat #: 51M45 Model/Part #: 51M4501 | 1 | "480V PRI,24V SEC,70VA" |
| T18 | TRANSFORMER Cat #: 51M46 Model/Part #: 51M4601 | 1 | "600V PRI,24V SEC,70VA" |
| TB14 | BLOCK, TERMINAL | 1 | TERMINAL BLOCK |

| Callout | Name | Quantity | Description |
|---------|--------------------------------------|----------|-------------|
| | Cat #: 11F49 Model/Part #: 101642-01 | | |

COOLING PARTS

| Callout | Name | Quantity | Description |
|---------|--|----------|--|
| | HARNESS-COMPRESSOR Cat #: 15M36 Model/Part #: 15M3601 | 2 | MOLDED PLUG |
| | DRIER Cat #: 38M73 Model/Part #: 38M7301 | 2 | LIQUID LINE |
| | MOUNT PKG-COMP Cat #: 74J30 Model/Part #: 74J3001PR | 2 | MOUNT PKG-COMP |
| | BRACKET Cat #: 78L41 Model/Part #: 78L4101 | 2 | MOUNT, MOTOR |
| | FITTING PRESS TAP Cat #: 86G64 Model/Part #: 86G6401 | 8 | PRESSURE TAP |
| | VALVE CORE Cat #: 66820 Model/Part #: P-8-1897 | 8 | VALVE, CORE 8075910047 |
| | CAP-SEAL Cat #: 58114 Model/Part #: P-8-3187 | 4 | CAP, BRASS |
| | SHIELD-RAIN Cat #: 32621 Model/Part #: P-8-6142 | 2 | SHIELD, MOTOR |
| 10 | CRATE ASSY - COIL ASSY COND Cat #: 46W85 Model/Part #: 601282-03 | 1 | W/MANIFOLD (STG 1) |
| 10 | CRATE ASSY - COIL ASSY COND Cat #: 46W86 Model/Part #: 601282-04 | 1 | W/MANIFOLD (STG 2) |
| 11 | COMPRESSOR Cat #: 39W48 Model/Part #: 100227-11 | 2 | "6 TON,208-230/60/3,COPE" |
| 11 | COMPRESSOR Cat #: 39W49 Model/Part #: 100227-12 | 2 | "6 TON,380-420/50/3,460/60/3,COPE" |
| 11 | COMPRESSOR Cat #: 39W50 Model/Part #: 100227-13 | 2 | "6 TON,575/60/3,COPE" |
| 11 | VALVE-BALL SERVICE 1-1/8 X 7/8 Cat #: 77W35 Model/Part #: 102831-06 | 2 | VALVE-BALL SERVICE1-1/8 X 7/8(AFT 06/11) |

| Callout | Name | Quantity | Description |
|---------|--|----------|--------------------------------|
| 11 | VALVE-BALL Cat #: 15M40 Model/Part #: 15M4001 | 2 | VALVE, BALL (BEFORE 06/11) |
| 12 | VALVE-SERVICE Cat #: 68J11 Model/Part #: 68J1101 | 2 | LIQUID-LINE,5/8 |
| 13 | FAN Cat #: 12F20 Model/Part #: 12F2001 | 2 | "1/2"BORE,24"DIA,4 BLADE" |
| B4 | MOTOR-FAN Cat #: 27J07 Model/Part #: 27J0701 | 2 | "1/2HP,1075RPM,380 & 460/60/1" |
| B4 | MOTOR-FAN Cat #: 27J30 Model/Part #: 27J3001 | 2 | "1/2HP,1075RPM,208-230/60/1" |
| B4 | MOTOR-FAN Cat #: 27J31 Model/Part #: 27J3101 | 2 | "1/2HP, 1075RPM,575/60/1" |
| HR1 | HEATER-CRANKCASE Cat #: 93M10 Model/Part #: 100499-07 | 2 | "70 WATT, 600 VOLT" |
| HR1 | HEATER-CRANKCASE Cat #: 93M11 Model/Part #: 100499-08 | 2 | "70 WATT, 480 VOLT" |
| HR1 | HEATER-CRANKCASE Cat #: 93M13 Model/Part #: 100499-10 | 2 | "70 WATT, 240 VOLT" |
| S24/25 | SWITCH, PRESSURE LOW R410A Cat #: 38M76 Model/Part #: 38M7601 | 2 | LOSS OF CHARGE |
| S4/S7 | SWITCH-HI PRESS Cat #: 69M18 Model/Part #: 69M1801 | 2 | CUTOUT 640 PSIG |

Note:

There are no technical notes for this product.