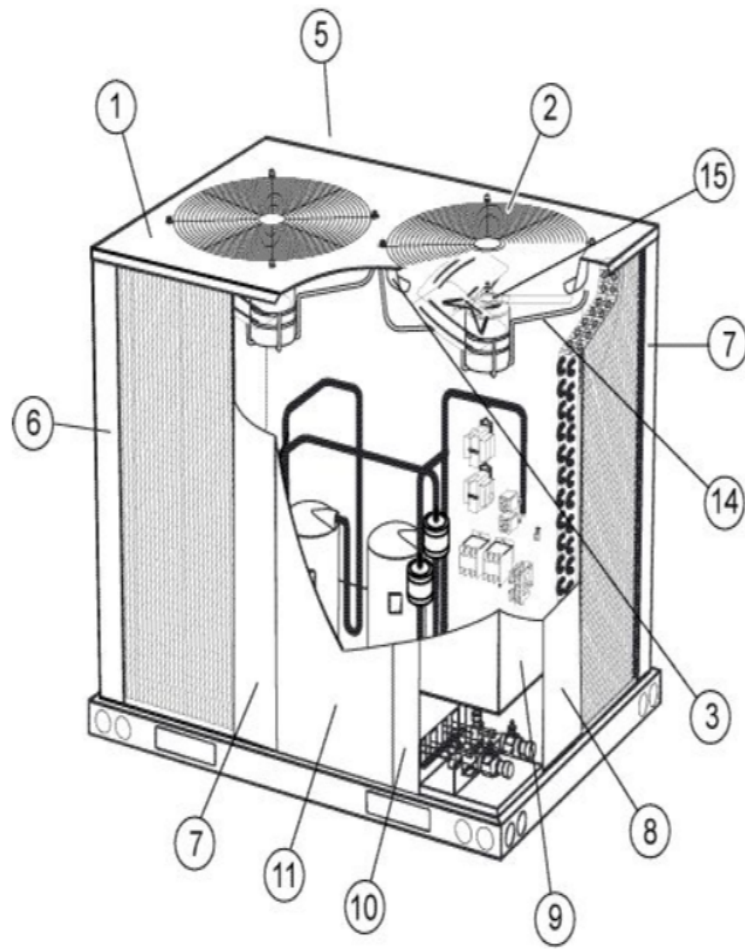


TSA 120-150



Revision Number - 1

*OPTIONAL PARTS-FIELD INSTALLED

Callout	Name	Quantity	Description
	SWITCH-LO AMBIENT Cat #: 38M78 Model/Part #: 38M7801	1	"IN 450 PSIG,OUT 240 PSIG"
	HARNESS, LOW AMBIENT Cat #: LB-112429F Model/Part #: LB-112429F	1	HARNESS, LOW AMBIENT
LB KIT	*** OBS *** ACC. KIT Cat #: 44W18 Model/Part #: LB-107318BB	1	LOW AMBIENT KIT

CABINET PARTS

Callout	Name	Quantity	Description
	MULLION, COIL SUPPORT Cat #: 99W21 Model/Part #: 602610-01	1	COIL SUPPORT
	PANEL - ACCESS ENTRY BOTTOM Cat #: 64W22 Model/Part #: LB-115480	1	POWER ENTRY BOTTOM
1	PANEL, TOP Cat #: 64W17 Model/Part #: LB-115471	1	PANEL, TOP
2	GRILLE-DISCHARGE Cat #: 21J31 Model/Part #: 21J3101	2	GRILLE, FAN GUARD
5	RING-ORIFICE Cat #: 56L70 Model/Part #: 56L7001	2	ORIFICE RING, PLASTIC
7	MULLION - FRONT Cat #: 64W12 Model/Part #: LB-115477	1	MULLION - FRONT
8	MULLION - CONTROL BOX Cat #: 77W31 Model/Part #: LB-115478	1	MULLION - CONTROL BOX
9	MULLION - CORNER Cat #: 64W13 Model/Part #: LB-115476	2	CORNER
11	PANEL - ACCESS COMPRESSOR Cat #: 64W20 Model/Part #: LB-115639	1	PANEL - ACCESS COMPRESSOR
14	BRACKET Cat #: 78L41 Model/Part #: 78L4101	2	MOUNT, MOTOR

Callout	Name	Quantity	Description
17	ASSEMBLY CONTROL BOX COVER Cat #: 58W90 Model/Part #: 604736-01	1	CONTROL BOX COVER

CONTROL PANEL PARTS

Callout	Name	Quantity	Description
	CAPACITOR Cat #: 39H61 Model/Part #: 39H6101	2	"10MFD,370VAC (575V)"
K1	CONTACTOR Cat #: 95M57 Model/Part #: 100438-03	1	"SPST,24V"
K10	RELAY Cat #: 56L68 Model/Part #: 56L6801	1	RELAY
K2	CONTACTOR Cat #: 95M57 Model/Part #: 100438-03	1	"SPST,24V"
K66	RELAY Cat #: 67K65 Model/Part #: 67K6501	1	"DPDT,24V"
K67	RELAY Cat #: 67K65 Model/Part #: 67K6501	1	"DPDT,24V"
T1	TRANSFORMER Cat #: 27P25 Model/Part #: 51M4401	1	"208/240V,24V SEC,70VA"
T1	TRANSFORMER Cat #: 51M45 Model/Part #: 51M4501	1	"480V PRI,24V SEC,70VA"
T1	TRANSFORMER Cat #: 51M46 Model/Part #: 51M4601	1	"600V PRI,24V SEC,70VA"
T18	TRANSFORMER Cat #: 27P25 Model/Part #: 51M4401	1	208V/240V/,24V SEC, 70VA
T18	TRANSFORMER Cat #: 51M45 Model/Part #: 51M4501	1	"480V PRI,24V SEC,70VA"
T18	TRANSFORMER Cat #: 51M46 Model/Part #: 51M4601	1	"600V PRI,24V SEC,70VA"
TB14	BLOCK, TERMINAL Cat #: 11F49 Model/Part #: 101642-01	1	TERMINAL BLOCK

COOLING PARTS

Callout	Name	Quantity	Description
	HARNES-COMPRESSOR Cat #: 15M36 Model/Part #: 15M3601	2	MOLDED PLUG
	DRIER Cat #: 38M73 Model/Part #: 38M7301	2	LIQUID LINE
	BRACKET Cat #: 78L41 Model/Part #: 78L4101	2	MOUNT, MOTOR
	FITTING PRESS TAP Cat #: 86G64 Model/Part #: 86G6401	8	PRESSURE TAP
	VALVE CORE Cat #: 66820 Model/Part #: P-8-1897	8	VALVE, CORE 8075910047
	CAP-SEAL Cat #: 58114 Model/Part #: P-8-3187	4	CAP, BRASS
	SHIELD-RAIN Cat #: 32621 Model/Part #: P-8-6142	2	SHIELD, MOTOR
10	CRATE ASSY - COIL ASSY COND Cat #: 46W88 Model/Part #: 601282-06	1	W/MANIFOLD
11	COMPRESSOR Cat #: 28W85 Model/Part #: 100040-26	2	"5 TON,208-230/60/3,COPE"
11	COMPRESSOR Cat #: 28W86 Model/Part #: 100040-27	2	"5 TON,380-420/50/3,460/60/3,COPE"
11	COMPRESSOR Cat #: 28W87 Model/Part #: 100040-28	2	"5 TON,575/60/3,COPE"
11	VALVE-BALL SERVICE 1-1/8 X 7/8 Cat #: 77W35 Model/Part #: 102831-06	2	VALVE-BALL 1-1/8 X 7/8 (AFTER 06/11)
11	VALVE-BALL Cat #: 15M40 Model/Part #: 15M4001	2	VALVE, BALL (BEFORE 06/11)
12	VALVE-SERVICE Cat #: 68J11 Model/Part #: 68J1101	2	VALVE, SERVICE 5/8 in.
13	FAN Cat #: 65C68 Model/Part #: 65C6801	2	"1/2""BORE,24""DIA,3 BLADE"

Callout	Name	Quantity	Description
B4	MOTOR-FAN Cat #: 14Y65 Model/Part #: 104607-01	2	MOTOR, 1/3 HP 230V (AFTER 7/17/16)
B4	MOTOR-FAN Cat #: 14Y70 Model/Part #: 104607-02	2	MOTOR, 1/3 HP 460V (AFTER 7/17/16)
B4	MOTOR-FAN Cat #: 79J81 Model/Part #: 79J8101	2	"1/3HP,1075RPM,208- 230/60/1"
B4	MOTOR-FAN Cat #: 79J82 Model/Part #: 79J8201	2	"1/3HP,1075RPM,380 & 460/60/1"
B4	MOTOR-FAN Cat #: 79J83 Model/Part #: 79J8301	2	"1/3HP, 1075RPM,575/60/1"
HR1	HEATER-CRANKCASE Cat #: 93M10 Model/Part #: 100499-07	1	"70 WATT, 575 VOLT"
HR1	HEATER-CRANKCASE Cat #: 93M11 Model/Part #: 100499-08	1	"40 WATT, 480 VOLT"
HR1	HEATER-CRANKCASE Cat #: 93M13 Model/Part #: 100499-10	1	"40 WATT, 240 VOLT"
S24/25	SWITCH, PRESSURE LOW R410A Cat #: 38M76 Model/Part #: 38M7601	2	SWITCH,LOSS OF CHARGE
S4/S7	SWITCH-HI PRESS Cat #: 69M18 Model/Part #: 69M1801	2	CUTOUT 640 PSIG

Note:

There are no technical notes for this product.